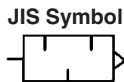


Silencer Metal Case Type Series 25

How to Order

Exhaust in only one direction
Prevents scattering of mist and noise.



25 10 002

Body size

04
05
06
07
08
10
11

Thread type

Nil	R
N	NPT

Port size

002	1/4
003	3/8
004	1/2
006	3/4
010	1

Specifications

Fluid	Compressed air
Max. operating pressure ⁽¹⁾	1.0 MPa
Noise reduction	19 dB (A)
Ambient and fluid temperature	5 to 60°C ⁽²⁾



Note 1) It indicates the inlet pressure for solenoid valve.

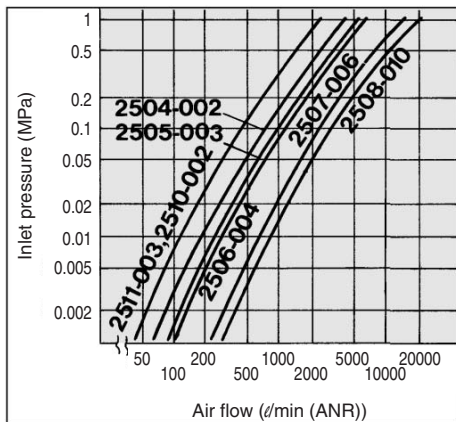
Note 2) It can operate in temperature between -10 to 60°C if there is no risk of the moisture in the air freezing.



Refer to page 5-10-13 for Precautions on these products.

Flow Characteristics (Initial conditions)

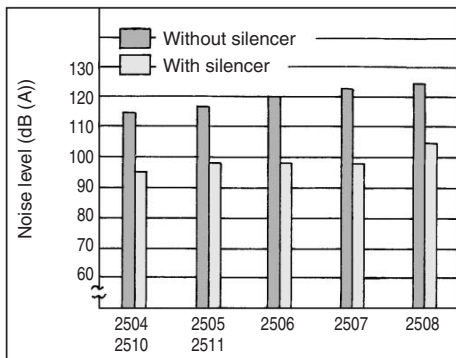
2504 to 2511



Noise Level (Initial conditions)

2504 to 2511

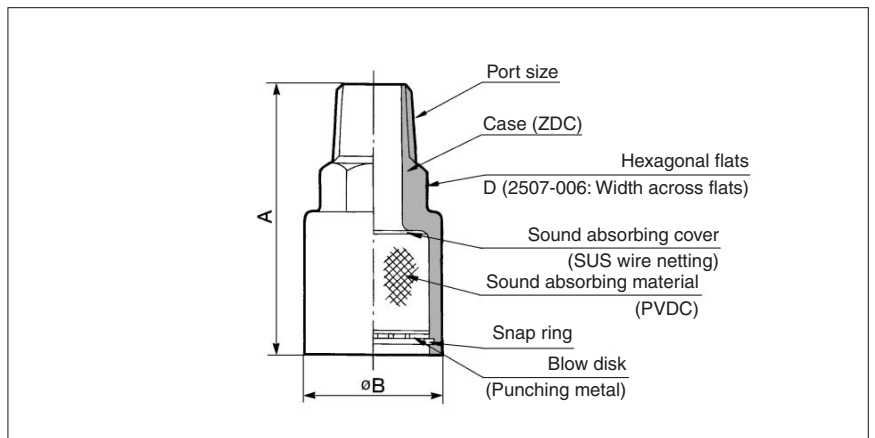
Condition: 0.5 MPa at inlet pressure of solenoid valve
Measurement distance: 1 m



Model

Model	Port size R	Effective area (mm ²)	Recommended flow (m ³ /min (ANR))	Weight (g)	Dimensions (mm)		
					A	B	D
2504-002	1/4	33.9	2.2 or less	111	62	30	24
2505-003	3/8	45.9	3.0 or less	106	64	30	24
2506-004	1/2	50.0	4.0 or less	113	68	30	24
2507-006	3/4	105.6	8.0 or less	310	88.5	48	35
2508-010	1	129.6	10.0 or less	514	97.5	60	41
2510-002	1/4	17.2	1.5 or less	57	54	22	19
2511-003	3/8	17.2	1.5 or less	55	56	22	19

Construction/Parts/Dimensions



Note 1) About the display of product's material

ZDC: Zinc alloy

SUS: Stainless steel

PVDC: Vinylidene chloride

Note 2) Recommended flow rate is the flow at 0.5 MPa in the inlet pressure.