

# Compact Direct Operated 2/3 Port Solenoid Valve for Chemicals



★ Wetted part material:

Body/Plate

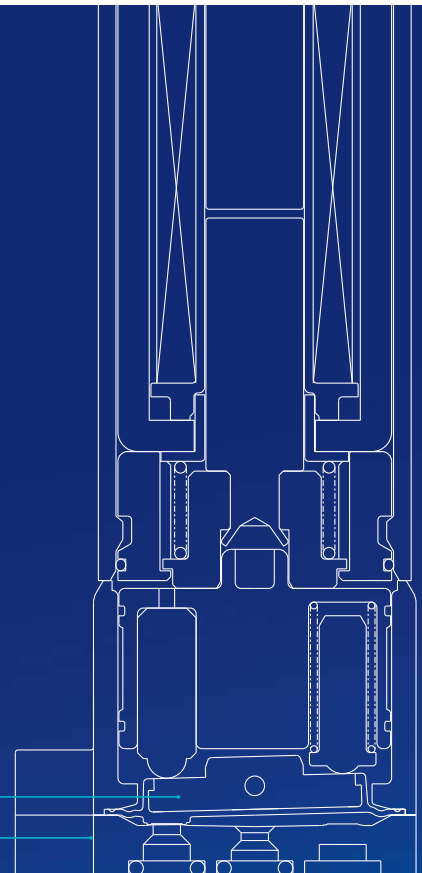
**PEEK**

Diaphragm

Choice of

**EPDM, FKM, Kalrez®** (Note)

★ Service life: **10 million cycles** or more  
(Based on SMC test conditions)



*More variations!*

**New**

Orifice diameter  
**1.1 mm**



LVM09/090

Orifice diameter  
**1.4 mm**



LVM10/100

**New**

Orifice diameter  
**1.6 mm**



LVM15/150

**New**

Orifice diameter  
**2 mm**



LVM20/200

Note) Kalrez® is a registered trademark of DuPont Performance Elastomers.

**Series LVM**

# Meeting the most advanced needs of process control

# Compact Direct Operated 2/3 Port

## ○ Valve chamber volume

Unit:  $\mu\text{l}$

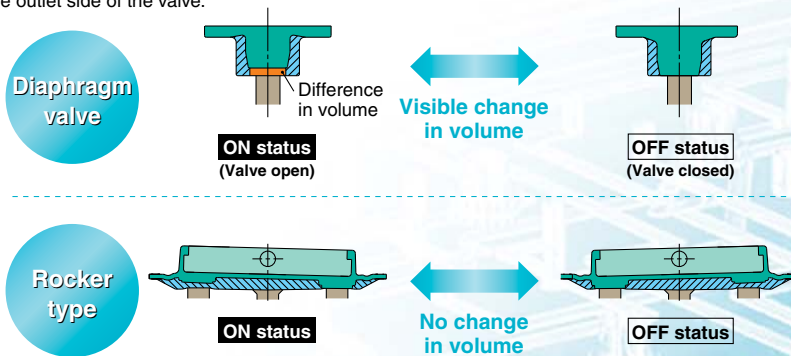
Series	LVM09/090	LVM10 (For LVM11)	LVM10/100	LVM15/150	LVM20/200
Valve chamber volume	18	11	20	50	84

## ○ Change in volume depending on open/closed status of valve (pumping volume)

# 0.01 $\mu\text{l}$ or less (Rocker type)

“Pumping volume” refers to the volume of water that is expelled from the valve chamber, in which it is sealed, by the opening and closing action of the valve (once with no applied pressure).

With a normal diaphragm valve, because the valve chamber volume varies depending on ON or OFF status, a difference in volume is discharged into the outlet side of the valve when the valve is switched from ON to OFF. However, with a rocker type valve, there is almost no change in volume, and thus no fluid is discharged into the outlet side of the valve.



## ○ Type with power-saving circuit can be selected.

Holding power consumption can be reduced substantially.

Unit: W

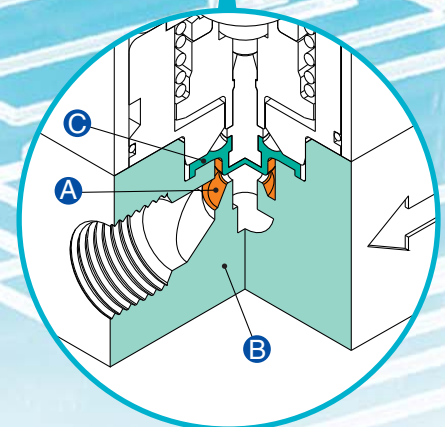
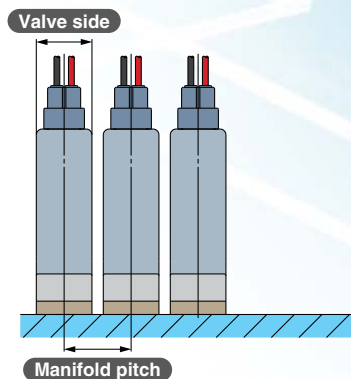
Series		LVM09/090	LVM10/100	LVM15/150	LVM20/200
Power consumption	Inrush	3.3	2.5	5.5	4
	Holding	0.9	1	1	0.6

## ○ Space-saving

Unit: mm

Series	LVM090	LVM10/100	LVM150	LVM200
Valve width	9.5	13	16	20
Manifold pitch	10.5	14	17	21

Refer to 10 in “Design and Selection” on the back of page 2, if the valve is to be energized continuously for extended periods of time, or used with a manifold.



LVM11

## ○ Applications: Various analytical and inspection equipment

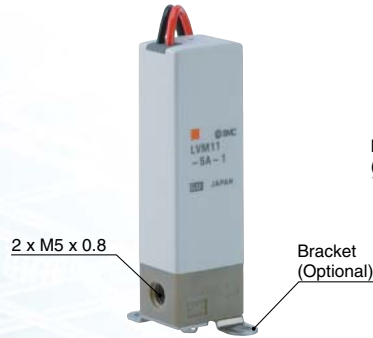
Analytical instruments for blood, urine, immune system, etc.

# Solenoid Valve for Chemicals

## Piping/Mounting Variations

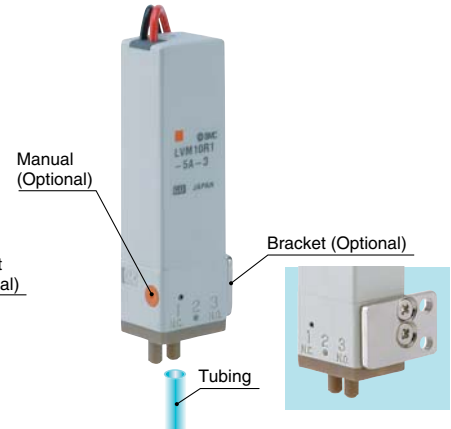
### Body ported

- M5 thread



LVM11

- Tubing type



LVM10/100

### Base mounted

- Without sub-plate



LVM09/090

LVM10/100

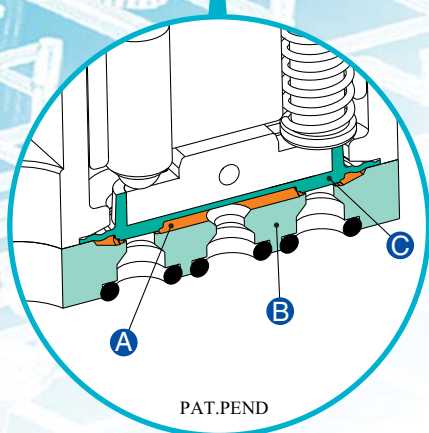
LVM15/150

LVM20/200

- With sub-plate



LVM10/100



LVM□□□  
(Rocker type)

- A** Valve chamber volume
- B** Body/Plate material: PEEK
- C** Diaphragm material: EPDM, FKM or Kalrez®

# Series Variations

	Model	Valve construction	Valve type	Number of ports	Operating pressure range	Orifice diameter (mm)	Valve width	
	LVM09R3	Diaphragm type direct operated poppet (Rocker type)	N.C.	2	-75 kPa to 0.2 MPa	1.1	9.5	
	LVM09R4		N.O.					
	LVM095R		Universal	3				
	LVM11	Diaphragm type direct operated poppet	N.C.	2	0 to 0.25 MPa	1.5	13	
	LVM10R1		N.C.	2	-75 kPa to 0.25 MPa	1.4	13	
	LVM10R2		N.O.					
	LVM102R		Universal	3				
	LVM10R3	Diaphragm type direct operated poppet (Rocker type)	N.C.	2	-75 kPa to 0.25 MPa	1.4	13	
	LVM10R4		N.O.					
	LVM10R6		N.C.					
	LVM105R		Universal	3				
	LVM15R3		N.C.	2	-75 kPa to 0.25 MPa (0 to 0.6 MPa)	1.6 (1)	16	
	LVM15R4		N.O.					
	LVM155R		Universal	3				
	LVM20R3		N.C.	2	-75 kPa to 0.3 MPa	2	20	
	LVM20R4		N.O.					
	LVM205R		Universal	3				

	Flow characteristics				Fluid temperature (°C)	Volume of valve chamber	Weight (g)	Power consumption (W)	Page
	Water		Air						
	Av	Cv	C	b					
	0.43 x 10 <sup>-6</sup>	0.018	0.06	0.2	0 to 50 (with no condensation)	18	20	2	P.1 to 3
	0.96 x 10 <sup>-6</sup>	0.04	0.13	0.22		11	30	2.5 at inrush 1 at holding	P.4 to 8
	0.72 x 10 <sup>-6</sup>	0.03	0.1	0.2		20	34	1.5	P.4 to 10
	0.72 x 10 <sup>-6</sup>	0.03	0.1	0.2		20	34	1.5	
	0.96 x 10 <sup>-6</sup> (0.36 x 10 <sup>-6</sup> )	0.04 (0.015)	0.13 (0.05)	0.22 (0.2)		50	45	5.5 at inrush 1 at holding	P.11 to 13
	1.56 x 10 <sup>-6</sup>	0.065	0.23	0.27		84	80	2.5	P.14 to 16

The figures in ( ) indicate the high-pressure type.

\* The values of Av and Cv are based on JIS B 2005:1995, C and b are based on JIB B 8390:2000.

# Compact Direct Operated 2/3 Port Solenoid Valve for Chemicals

## Series *LVM09/090*

### How to Order

Base Mounted

LVM 09R3 - 5 A - -



Symbol	Number of ports	Valve type	
09R3	2	N.C.	
09R4		N.O.	
095R	3	Universal	

Symbol

Lead wire length

Nil	150 mm
3	300 mm
6	600 mm

\* Nil cannot be selected in the case of function Y1.

CE compliant

Nil	None
Q	CE compliant

Wetted part material

Symbol	Plate	Diaphragm
A	PEEK	EPDM
B	PEEK	FKM
C	PEEK	Kalrez®

Coil voltage

Symbol	Voltage
5	24 VDC
6	12 VDC

Function

Nil	Standard
Y1	With power-saving circuit

### Specifications

Model	Base mounted		
	LVM09R3	LVM09R4	LVM095R
Valve construction	Diaphragm type direct operated poppet (Rocker type)		
Valve type	N.C.	N.O.	Universal
Number of ports	2		3
Fluid <sup>Note 1)</sup>	Air, Water, Pure water, Diluent, Cleaning solvent		
Operating pressure range	-75 kPa to 0.2 MPa		
Orifice diameter	1.1 mm		
Response time	10 ms or less (at pneumatic pressure)		
Leakage	Zero leakage, either external or internal (at water pressure)		
Proof pressure <sup>Note 2)</sup>	0.3 MPa		
Ambient temperature	0 to 50°C		
Fluid temperature	0 to 50°C (with no condensation)		
Volume of valve chamber <sup>Note 3)</sup>	18 μℓ		
Mounting orientation <sup>Note 4)</sup>	Free		
Enclosure	IP40 or equivalent		
Weight	20 g		
Rated voltage	12, 24 VDC		
Allowable voltage fluctuation <sup>Note 5)</sup>	±10% of rated voltage		
Type of coil insulation	Class B		
Power consumption (When rated voltage is at 24 V)	Standard	2 W (0.08 A)	
	With power-saving circuit	Inrush	3.3 W (0.14 A)
		Holding	0.9 W
Coil switching noise <sup>Note 6)</sup>	50 dB		

Note 1) Select an appropriate material for the wetted part when fluid such as a cleaning solvent is used. Also, be sure to confirm the fluid compatibility in advance.

Note 2) Indicates the pressure which does not generate breakage, cracks or external leakage after a one-minute airtight test.

Note 3) Indicates the volume of clearance inside the valve chamber after the volume of the diaphragm is subtracted.

Note 4) Since the body (orifice shape) is designed to eliminate residual liquid, mounting in a vertical direction with the coil at the top is recommended. When residual liquid is not considered, any mounting orientation is available.

Note 5) When the response speed is regarded as important, prevent negative fluctuation of the voltage by adequate regulation.

Note 6) The value is based on SMC's measurement conditions. The noise level will vary with conditions.

Note 7) Refer to 10 in "Design and Selection" on the back of page 2, if the valve is to be energized continuously for extended periods of time.

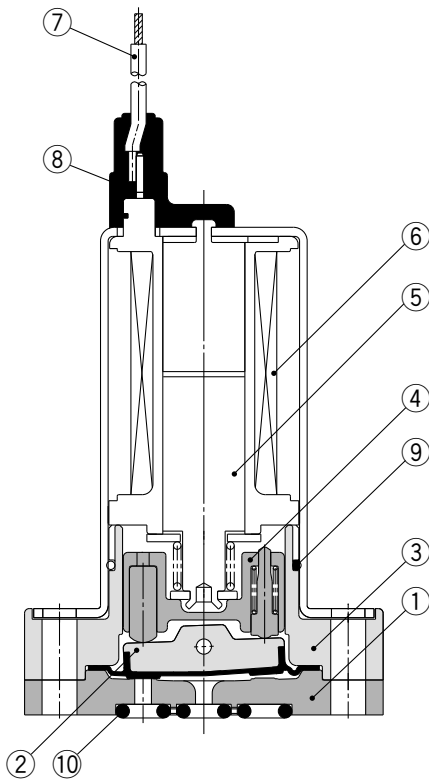
### Flow Characteristics

Water		Air	
Av	Cv	C	b
0.43 x 10 <sup>-6</sup>	0.018	0.06	0.2

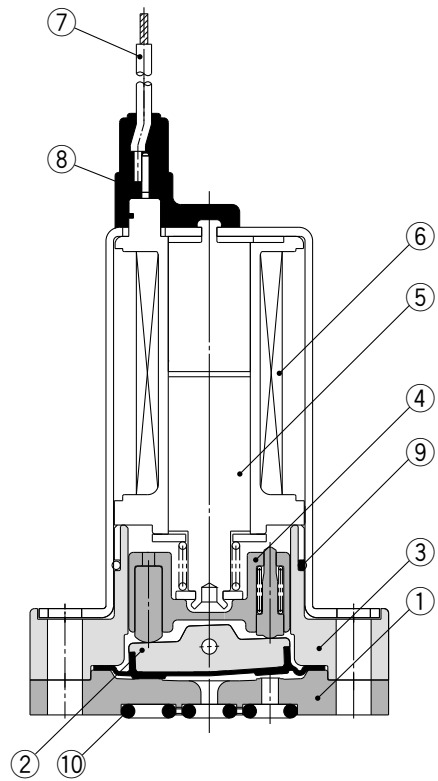
\* The values of Av and Cv are based on JIS B 2005:1995, C and b are based on JIB B 8390:2000.

**Construction: Base Mounted**

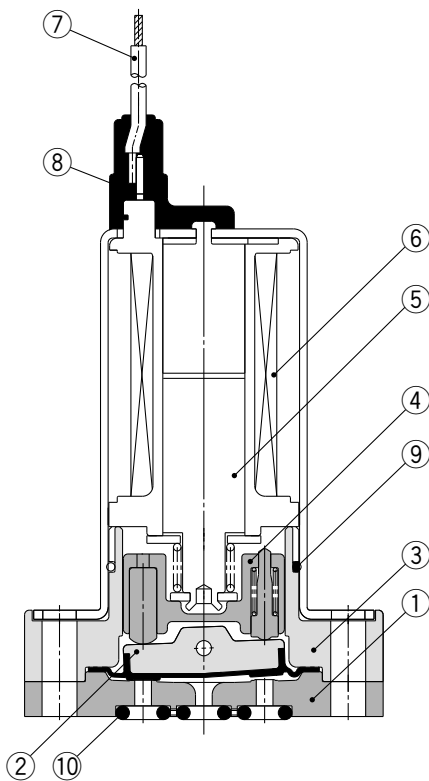
**LVM09R3**



**LVM09R4**



**LVM095R**



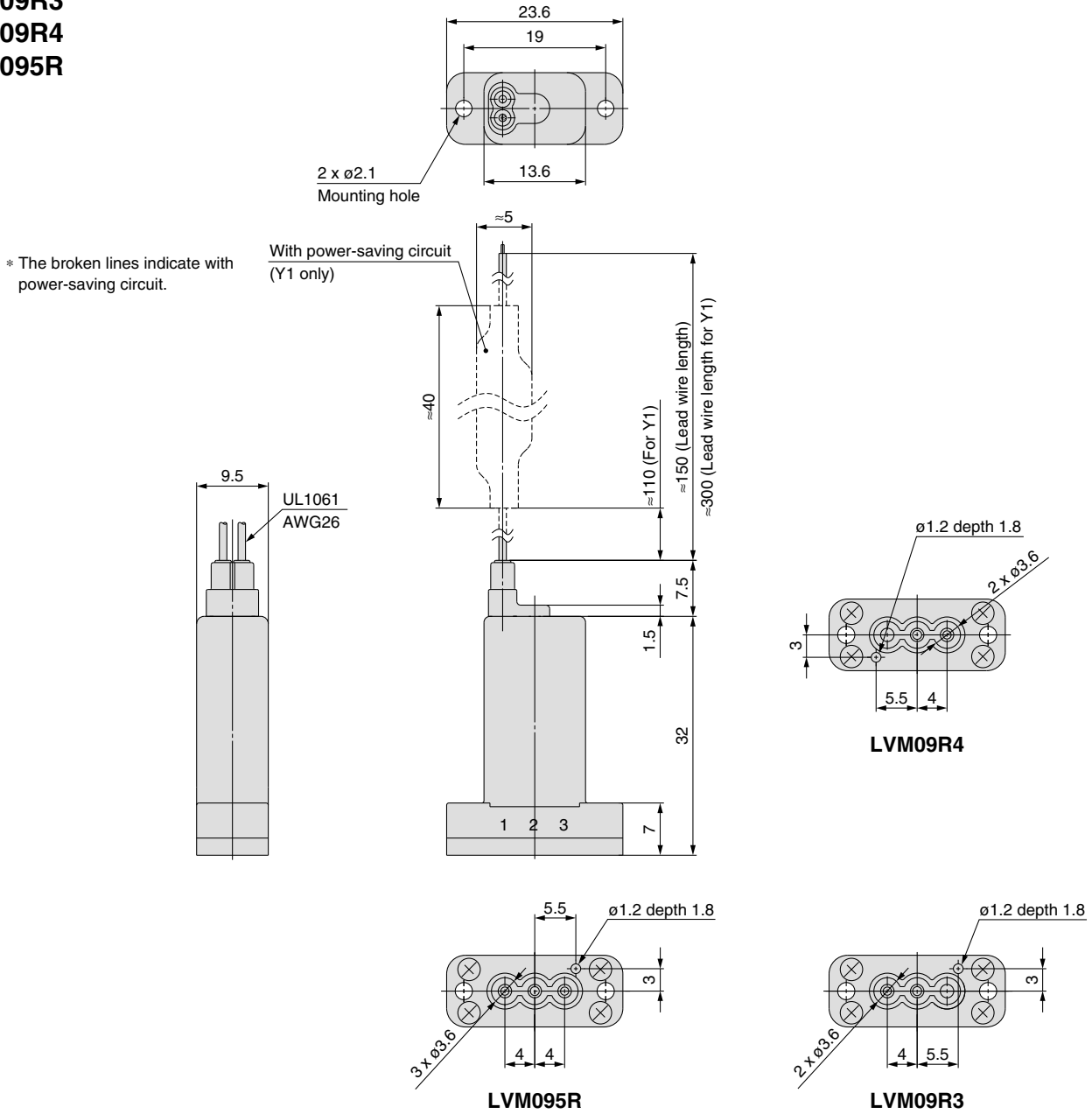
**Component Parts: LVM09R3, 09R4, 095R**

No.	Description	Material
1	Plate	PEEK
2	Diaphragm assembly	EPDM/FKM/Kalrez®
3	Body	PBT
4	Slide bushing assembly	PPS/Stainless steel
5	Armature assembly	—
6	Coil assembly	—
7	Lead wire	—
8	Mold	PET
9	O-ring	NBR
10	Interface gasket	EPDM/FKM/Kalrez®

# Series LVM09/090

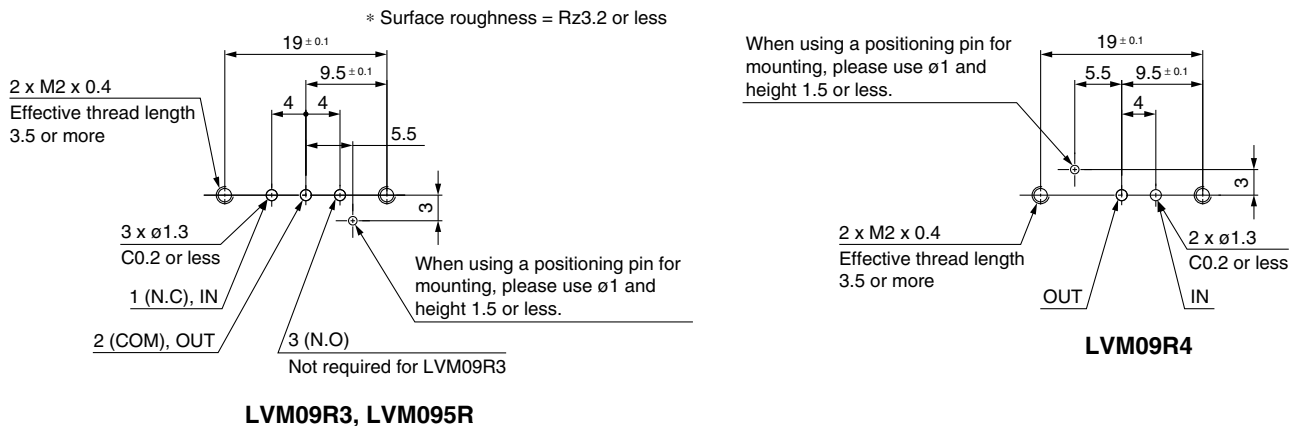
## Dimensions: Base Mounted

LVM09R3  
LVM09R4  
LVM095R



### Recommended interface dimensions

\* Surface roughness = Rz3.2 or less





# Compact Direct Operated 2/3 Port Solenoid Valve for Chemicals Series *LVM10/100*

## How to Order

Symbol	Number of ports	Valve type		Connection
11		N.C.		M5 thread
10R1	2	N.C.		Tubing type
10R2		N.O.		
102R	3	Universal		

Symbol	Number of ports	Valve type	
10R3		N.C.	
10R4	2	N.O.	
10R6		N.C.	
105R	3	Universal	

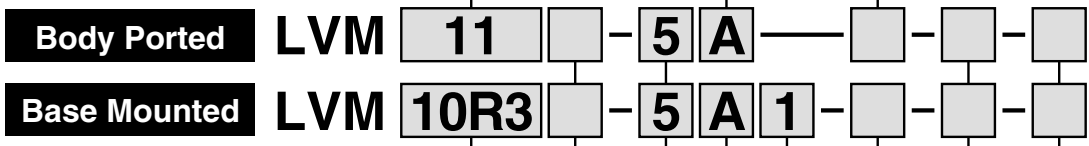
• **Wetted part material**

Symbol	Plate	Diaphragm
A	PEEK	EPDM
B	PEEK	FKM
C	PEEK	Kalrez®

• **Option**

Symbol	Description
Nil	None
1	Bracket
2	Manual override
3	Bracket, Manual override

\* Only Option 1 can be selected for the LVM11



• **Function**

Symbol	Description
Nil	Standard
Y	With power-saving circuit

\* For the LVM11, the type with power-saving circuit is standard.

• **Coil voltage**

Symbol	Voltage
5	24 VDC
6	12 VDC

• **Wetted part material**

Symbol	Plate	Diaphragm
A	PEEK	EPDM
B	PEEK	FKM
C	PEEK	Kalrez®
E	PFA	EPDM
F	PFA	FKM
G	PFA	Kalrez®

• **CE compliant**

Symbol	Description
Nil	None
Q	CE compliant

• **Lead wire length**

Symbol	Length
Nil	300 mm
6	600 mm
10	1000 mm

• **Option**

Symbol	Description
Nil	None
1	Bracket
2	Manual override
3	Bracket, Manual override

\* Without a sub-plate, a bracket cannot be attached.

• **Sub-plate material/Port size**

Symbol	Material	Port size
Nil	Without sub-plate	
1*	PVDF	M6
1U*	PVDF	1/4-28UNF
2	PFA	M6
2U	PFA	1/4-28UNF

\* Combinations with wetted part materials E, F, G. are not available.

# Series LVM10/100

## Specifications



Body ported



Body ported  
(Tubing type)



Base mounted  
(Without sub-plate)



Base mounted  
(With sub-plate)

Model	Body ported	Body ported (Tubing type)			Base mounted			
	LVM11	LVM10R1	LVM10R2	LVM102R	LVM10R3	LVM10R4	LVM10R6	LVM105R
Valve construction	Diaphragm type direct operated poppet	Diaphragm type direct operated poppet (Rocker type)						
Valve type	N.C.	N.C.	N.O.	Universal	N.C.	N.O.	N.C.	Universal
Number of ports	2	2		3	2		3	
Fluid <sup>Note 1)</sup>	Air, Water, Pure water, Diluent, Cleaning solvent							
Operating pressure range	0 to 0.25 MPa	-75 kPa to 0.25 MPa						
Orifice diameter	1.5 mm	1.4 mm						
Response time	10 ms or less (at pneumatic pressure)							
Leakage	Zero leakage, either external or internal (at water pressure)							
Proof pressure <sup>Note 2)</sup>	0.38 MPa							
Ambient temperature	0 to 50°C							
Fluid temperature	0 to 50°C (with no condensation)							
Volume of valve chamber	11 μℓ	20 μℓ						
Mounting orientation	Free							
Enclosure	IP40 or equivalent							
Weight	30 g	34 g (without sub-plate), 42 g (with sub-plate)						
Rated voltage	12, 24 VDC							
Allowable voltage fluctuation <sup>Note 5)</sup>	±10% of rated voltage							
Type of coil insulation	Class B							
Power consumption (When rated voltage is at 24 V)	Standard		—		1.5 W (0.06 A)			
	With power-saving circuit	In-rush			2.5 W (0.1 A)			
		Hold-ing			1 W			
Coil switching noise <sup>Note 5)</sup>	50 dB							

Note 1) Select an appropriate material for the wetted part when fluid such as a cleaning solvent is used. Also, be sure to confirm the fluid compatibility in advance.

Note 2) Indicates the pressure which does not generate breakage, cracks or external leakage after a one-minute airtight test.

Note 3) Indicates the volume of clearance inside the valve chamber after the volume of the diaphragm is subtracted.

Note 4) Since the body (orifice shape) is designed to eliminate residual liquid, mounting in a vertical direction with the coil at the top is recommended. When residual liquid is not considered, any mounting orientation is available.

Note 5) When the response speed is regarded as important, prevent negative fluctuation of the voltage by adequate regulation.

Note 6) The value is based on SMC's measurement conditions. The noise level will vary with conditions.

Note 7) Refer to 10 in "Design and Selection" on the back of page 2, if the valve is to be energized continuously for extended periods of time.

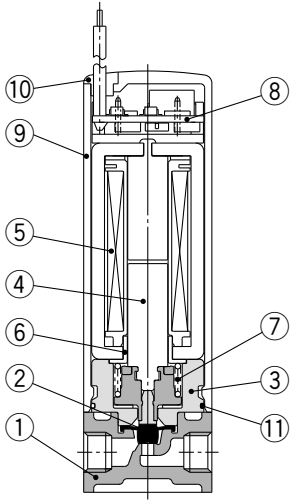
## Flow Characteristics

Valve construction	Water		Air	
	Av	Cv	C	b
Direct operated poppet	0.96 x 10 <sup>-6</sup>	0.04	0.13	0.22
Rocker type	0.72 x 10 <sup>-6</sup>	0.03	0.1	0.2

\* The values of Av and Cv are based on JIS B 2005:1995, C and b are based on JIB B 8390:2000.

**Construction: Body Ported**

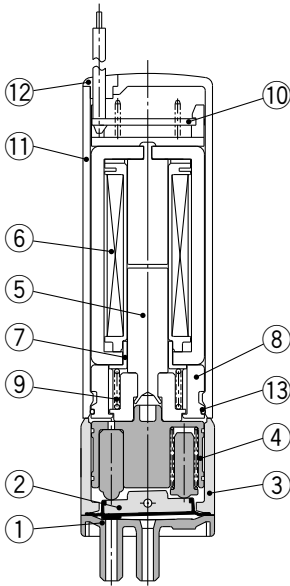
**LVM11**



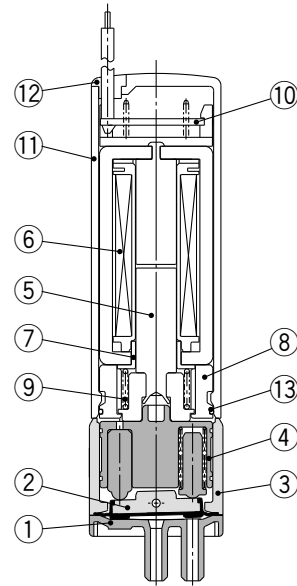
**Component Parts: LVM11**

No.	Description	Material
1	<b>Body</b>	PEEK
2	<b>Diaphragm assembly</b>	EPDM/FKM/Kalrez®
3	<b>Spacer</b>	PBT
4	<b>Armature assembly</b>	Stainless steel/POM
5	<b>Coil assembly</b>	—
6	<b>Sleeve</b>	SUY
7	<b>Return spring</b>	Stainless steel
8	<b>Board assembly</b>	—
9	<b>Casing</b>	PBT
10	<b>Plug</b>	NBR
11	<b>O-ring</b>	NBR

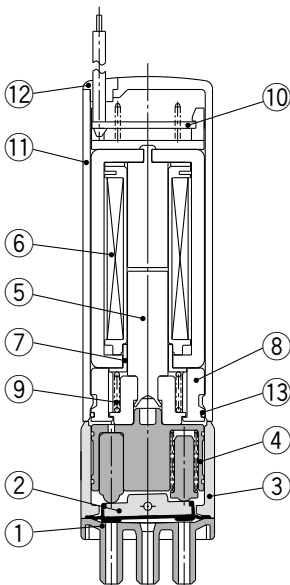
**LVM10R1**



**LVM10R2**



**LVM102R**



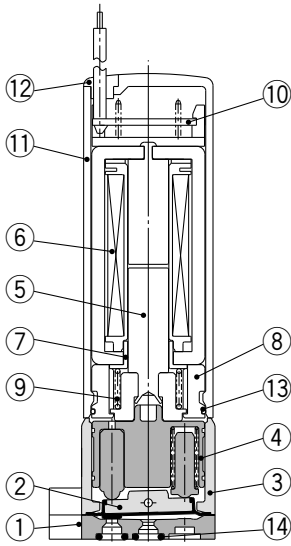
**Component Parts: LVM10R1, 10R2, 102R**

No.	Description	Material
1	<b>Plate</b>	PEEK
2	<b>Diaphragm assembly</b>	EPDM/FKM/Kalrez®
3	<b>Body</b>	PBT
4	<b>Slide bushing assembly</b>	POM/Stainless steel
5	<b>Armature assembly</b>	Stainless steel/PBT
6	<b>Coil assembly</b>	—
7	<b>Sleeve</b>	SUY
8	<b>Spacer</b>	PBT
9	<b>Return spring</b>	Stainless steel
10	<b>Board assembly</b>	—
11	<b>Casing</b>	PBT
12	<b>Plug</b>	NBR
13	<b>O-ring</b>	NBR

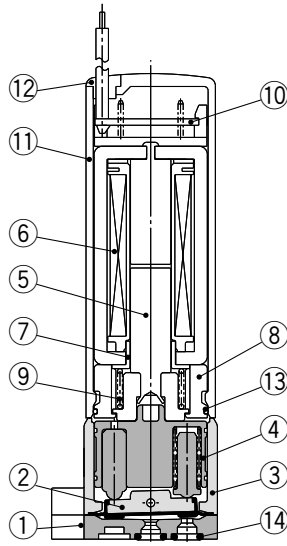
# Series LVM10/100

## Construction: Base Mounted

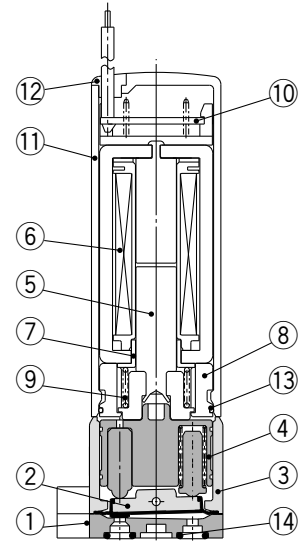
LVM10R3



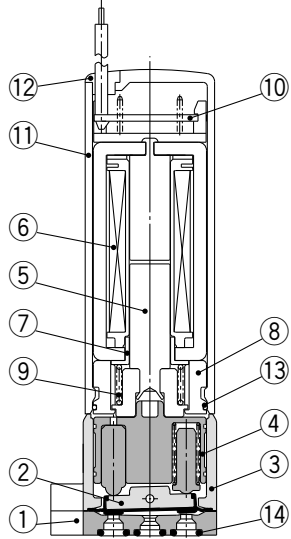
LVM10R4



LVM10R6



LVM105R

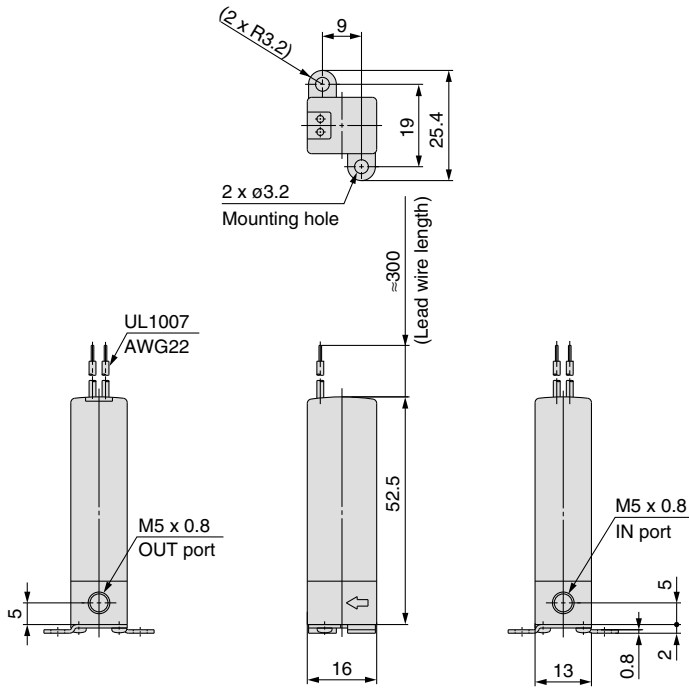


Component Parts: LVM10R3, 10R4, 10R6, 105R

No.	Description	Material
1	Plate	PEEK/PFA
2	Diaphragm assembly	EPDM/FKM/Kalrez®
3	Body	PBT
4	Slide bushing assembly	POM/Stainless steel
5	Armature assembly	Stainless steel/PBT
6	Coil assembly	—
7	Sleeve	SUY
8	Spacer	PBT
9	Return spring	Stainless steel
10	Board assembly	—
11	Casing	PBT
12	Plug	NBR
13	O-ring	NBR
14	O-ring	EPDM/FKM/Kalrez®

**Dimensions: Body Ported**

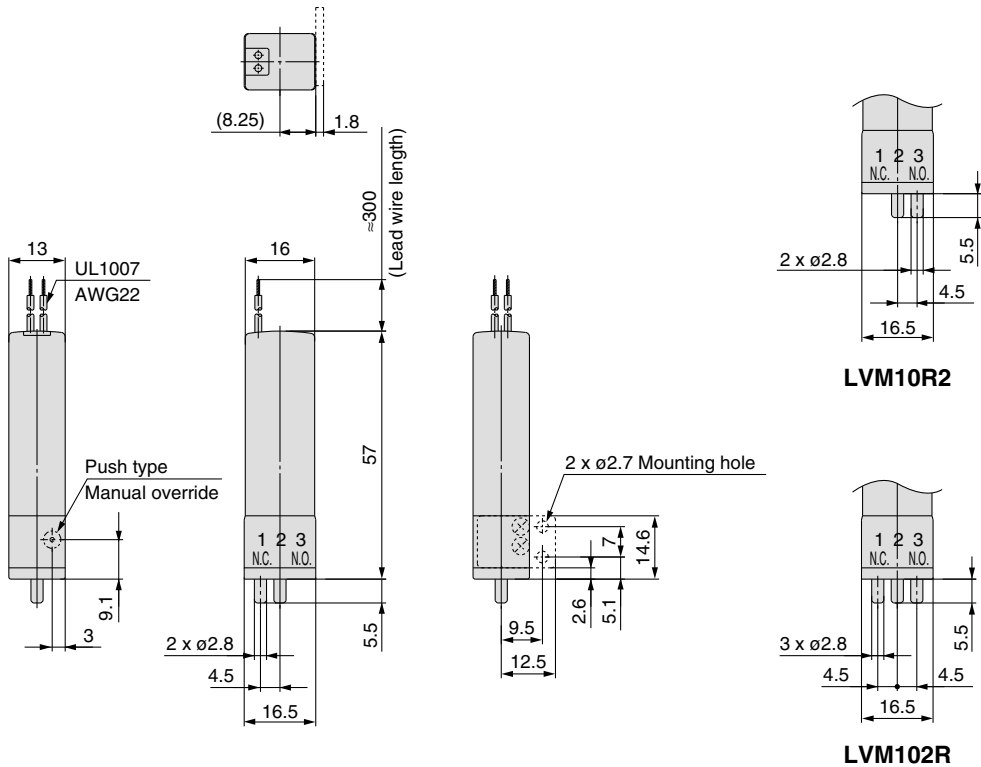
**LVM11-□□-□ (N.C.)**



**LVM10R1-□□-□ (N.C.)**

**LVM10R2-□□-□ (N.O.)**

**LVM102R-□□-□ (Universal)**



\* The broken lines indicate with bracket.

# Series LVM10/100

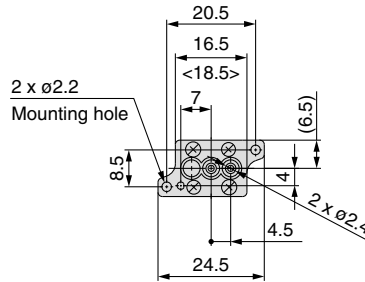
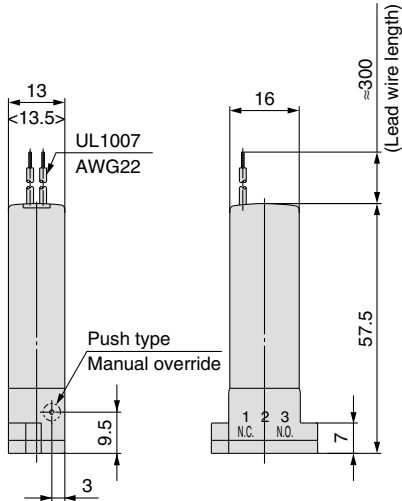
## Dimensions: Base Mounted

LVM10R3-□□-□ (N.C.)

LVM10R4-□□-□ (N.O.)

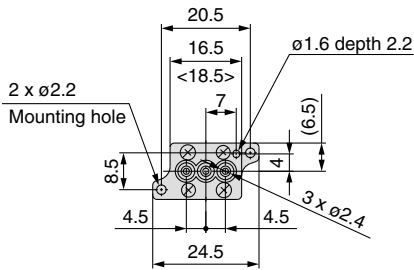
LVM10R6-□□-□ (N.C.)

LVM105R-□□-□ (Universal)

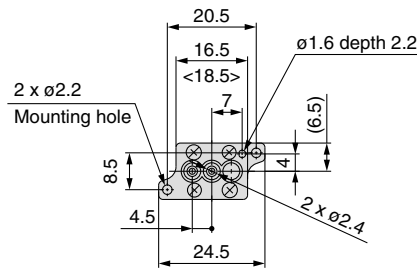


LVM10R4

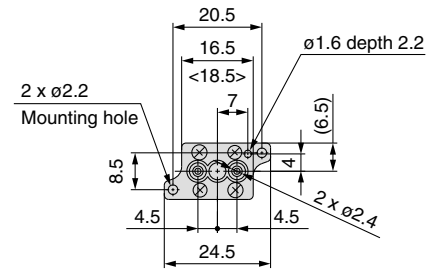
\* The figures in brackets <math>\lt; ></math> indicate the values for PFA plate material (wetted part material "E, F, G"). In the case of PFA plate material (wetted part material "E, F, G"), there is no  $\phi 1.6$  positioning hole.



LVM105R



LVM10R3

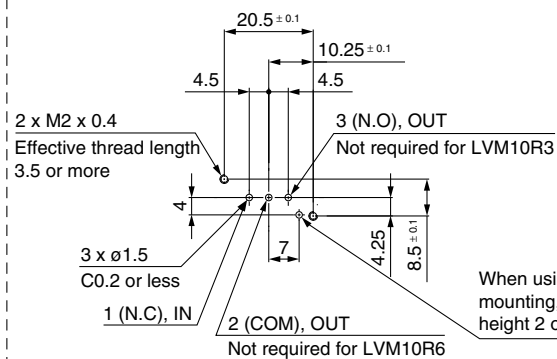


LVM10R6

### Recommended interface dimensions

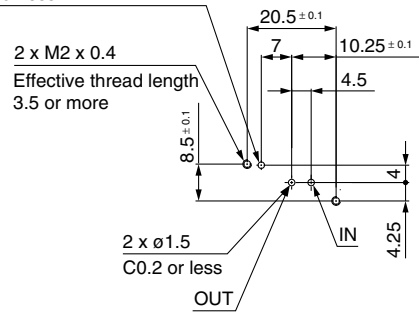
\* Surface roughness = Rz3.2 or less

\* Surface roughness = Rz3.2 or less



LVM10R3, LVM10R6, LVM105R

When using a positioning pin for mounting, please use  $\phi 1.5$  and height 2 or less.



LVM10R4

# Compact Direct Operated 2/3 Port Solenoid Valve for Chemicals *Series LVM10/100*

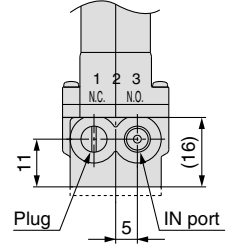
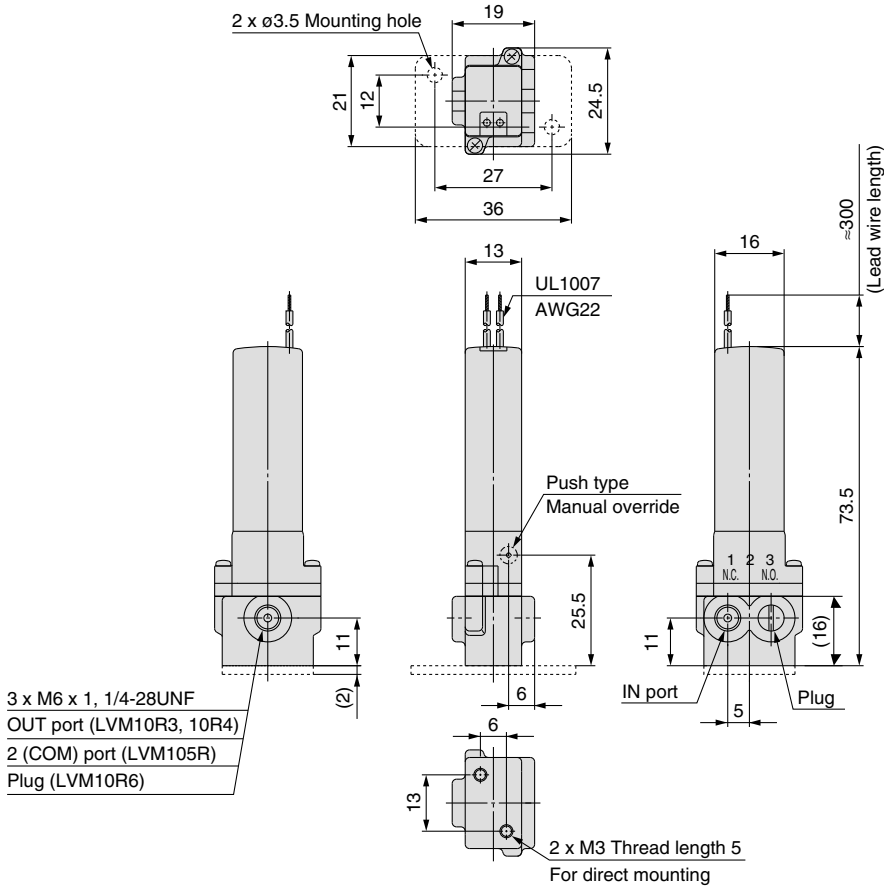
## Dimensions: Base Mounted

LVM10R3-□□□-□ (N.C.)

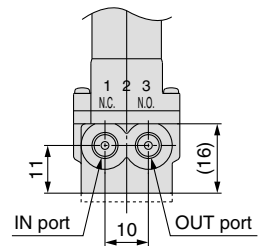
LVM10R4-□□□-□ (N.O.)

LVM10R6-□□□-□ (N.C.)

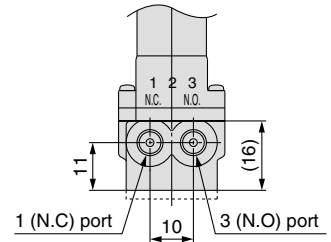
LVM105R-□□□-□ (Universal)



**LVM10R4**



**LVM10R6**



**LVM105R**

\* The broken lines indicate with bracket.

# Compact Direct Operated 2/3 Port Solenoid Valve for Chemicals Series **LVM15/150**

## How to Order

Base Mounted

**LVM 15R3 Y - 5 A - [ ] - [ ]**

**Symbol**

Symbol	Number of ports	Valve type	Diagram
15R3	2	N.C.	
15R4		N.O.	
155R	3	Universal	

• **CE compliant**

Nil	None
Q	CE compliant

• **Lead wire length**

Nil	300 mm
6	600 mm
10	1000 mm

• **Wetted part material**

Symbol	Plate	Diaphragm
A	PEEK	EPDM
B	PEEK	FKM
C	PEEK	Kalrez®

• **Coil voltage**

Symbol	Voltage
5	24 VDC
6	12 VDC

• **Function**

Symbol	Specifications
Y	Standard (With power-saving circuit)
HY	High-pressure type (With power-saving circuit)



## Specifications

Model	Base mounted		
	LVM15R3	LVM15R4	LVM155R
<b>Valve construction</b>	Diaphragm type direct operated poppet (Rocker type)		
<b>Valve type</b>	N.C.	N.O.	Universal
<b>Number of ports</b>	2		3
<b>Fluid</b> <small>Note 1)</small>	Air, Water, Pure water, Diluent, Cleaning solvent		
<b>Operating pressure range</b>	-75 kPa to 0.25 MPa [0 to 0.6 MPa]		
<b>Orifice diameter</b>	1.6 mm [1 mm]		
<b>Response time</b>	15 ms or less (at pneumatic pressure)		
<b>Leakage</b>	Zero leakage, either external or internal (at water pressure)		
<b>Proof pressure</b> <small>Note 2)</small>	0.38 MPa [0.9 MPa]		
<b>Ambient temperature</b>	0 to 50°C		
<b>Fluid temperature</b>	0 to 50°C (with no condensation)		
<b>Volume of valve chamber</b> <small>Note 3)</small>	50 μl		
<b>Mounting orientation</b> <small>Note 4)</small>	Free		
<b>Enclosure</b>	IP40 or equivalent		
<b>Weight</b>	45 g		
<b>Rated voltage</b>	12, 24 VDC		
<b>Allowable voltage fluctuation</b> <small>Note 5)</small>	±10% of rated voltage		
<b>Type of coil insulation</b>	Class B		
<b>Power consumption (When rated voltage is at 24 V)</b>	<b>Inrush</b>	5.5 W (0.23 A)	
	<b>Holding</b>	1 W	
<b>Coil switching noise</b> <small>Note 6)</small>	60 dB		

[ ] indicates high-pressure type.

Note 1) Select an appropriate material for the wetted part when fluid such as a cleaning solvent is used. Also, be sure to confirm the fluid compatibility in advance.

Note 2) Indicates the pressure which does not generate breakage, cracks or external leakage after a one-minute airtight test.

Note 3) Indicates the volume of clearance inside the valve chamber after the volume of the diaphragm is subtracted.

Note 4) Since the body (orifice shape) is designed to eliminate residual liquid, mounting in a vertical direction with the coil at the top is recommended. When residual liquid is not considered, any mounting orientation is available.

Note 5) When the response speed is regarded as important, prevent negative fluctuation of the voltage by adequate regulation.

Note 6) The value is based on SMC's measurement conditions. The noise level will vary with conditions.

Note 7) Refer to 10 in "Design and Selection" on the back of page 2, if the valve is to be energized continuously for extended periods of time.

## Flow Characteristics

Function	Water		Air	
	Av	Cv	C	b
Standard	0.96 x 10 <sup>-6</sup> [0.36 x 10 <sup>-6</sup> ]	0.04 [0.015]	0.13 [0.05]	0.22 [0.2]

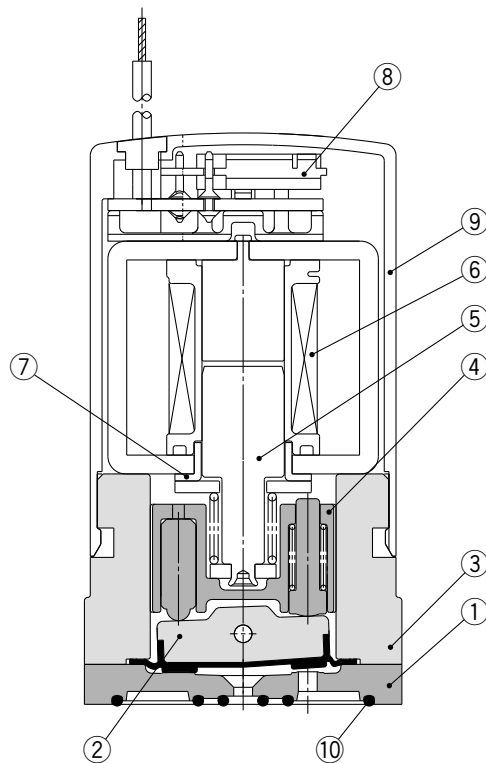
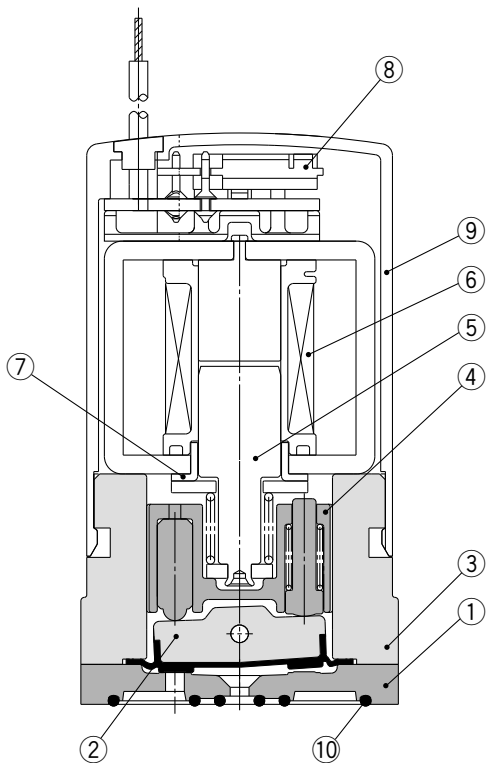
\* The values of Av and Cv are based on JIS B 2005:1995, C and b are based on JIB B 8390:2000.



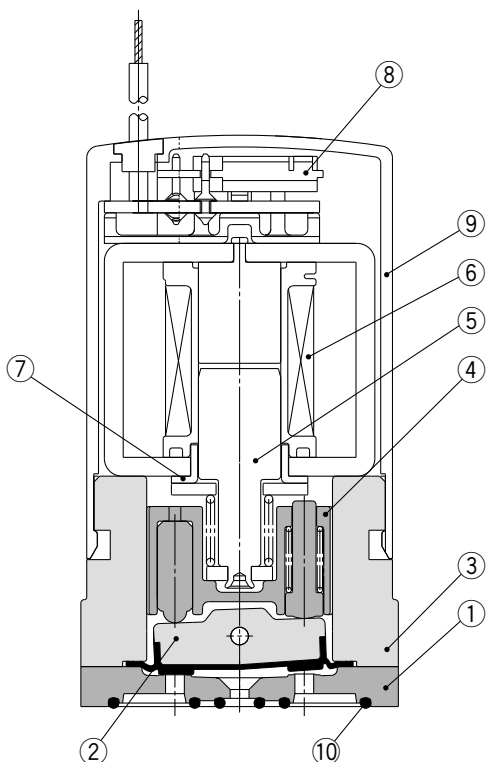
**Construction: Base Mounted**

**LVM15R3**

**LVM15R4**



**LVM155R**



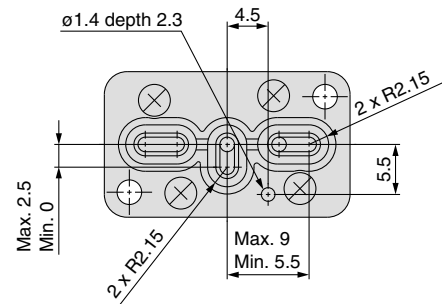
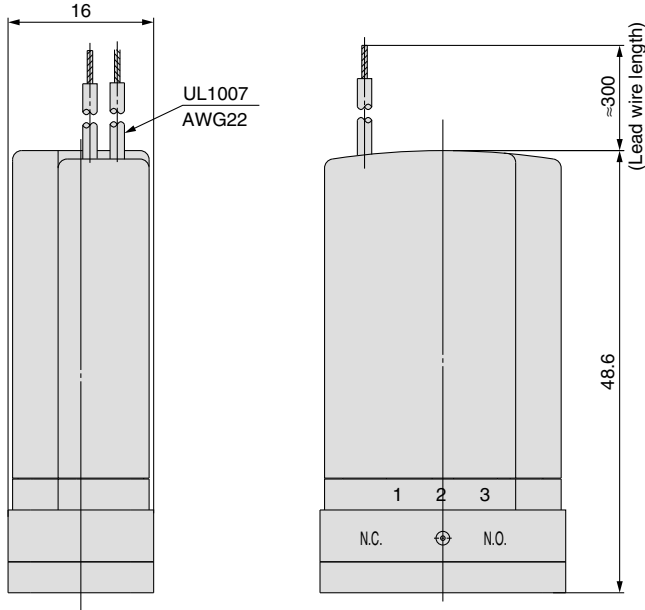
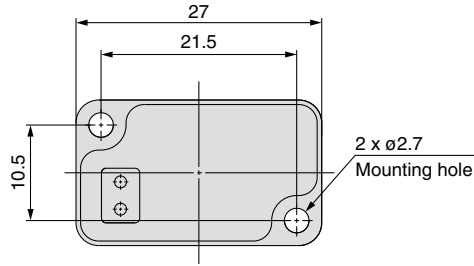
**Component Parts: LVM15R3, 15R4, 155R**

No.	Description	Material
1	Plate	PEEK
2	Diaphragm assembly	EPDM/FKM/Kalrez®
3	Body	PBT
4	Slide bushing assembly	PPS/Stainless steel
5	Armature assembly	—
6	Coil assembly	—
7	Sleeve	SUY
8	Board assembly	—
9	Casing	PBT
10	Interface gasket	EPDM/FKM/Kalrez®

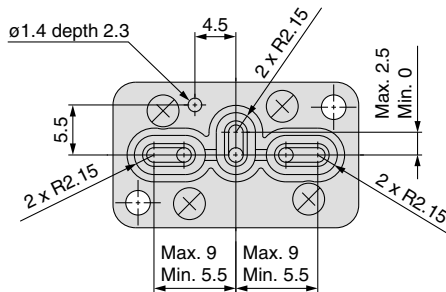
# Series LVM15/150

## Dimensions: Base Mounted

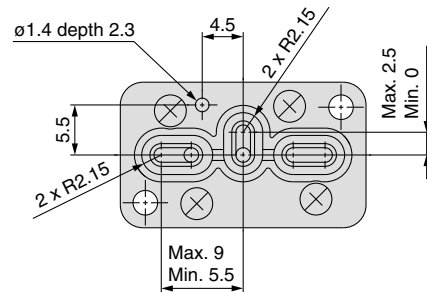
LVM15R3  
LVM15R4  
LVM155R



LVM15R4



LVM155R

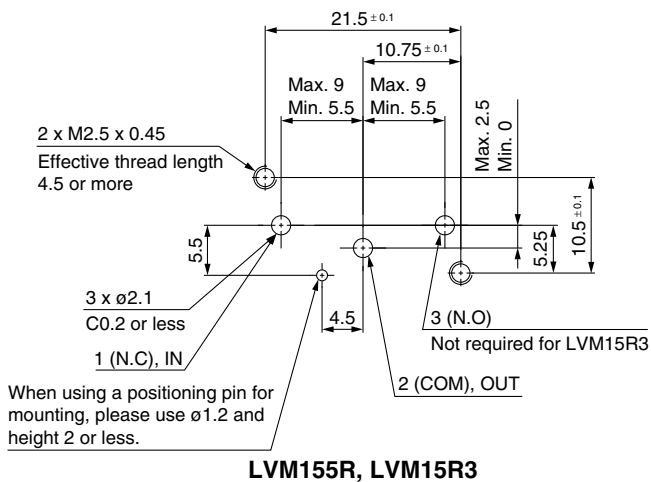


LVM15R3

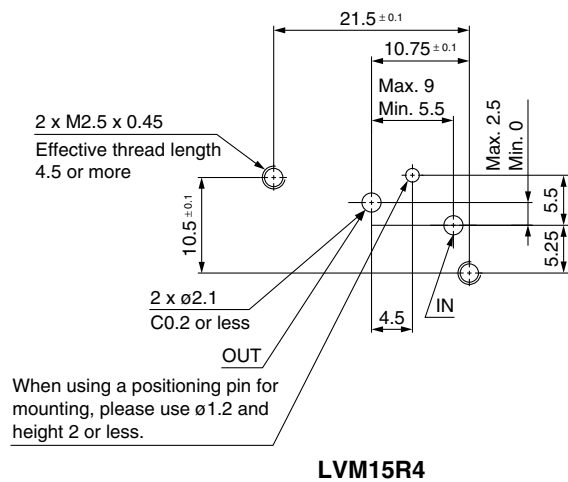
### Recommended interface dimensions

\* Surface roughness = Rz3.2 or less

\* Surface roughness = Rz3.2 or less



LVM155R, LVM15R3



LVM15R4

# Compact Direct Operated 2/3 Port Solenoid Valve for Chemicals Series *LVM20/200*

## How to Order

**Base Mounted** LVM **20R3**    - **5** **A** -    -   

Symbol	Number of ports	Valve type	
20R3	2	N.C.	
		N.O.	
205R	3	Universal	

CE compliant	
Nil	None
Q	CE compliant

Lead wire length	
Nil	300 mm
6	600 mm
10	1000 mm

Wetted part material		
Symbol	Plate	Diaphragm
A	PEEK	EPDM
B	PEEK	FKM
C	PEEK	Kalrez®

Coil voltage	
Symbol	Voltage
5	24 VDC
6	12 VDC

Function	
Nil	Standard
Y	With power-saving circuit



## Specifications

Model	Base mounted		
	LVM20R3	LVM20R4	LVM205R
Valve construction	Diaphragm type direct operated poppet (Rocker type)		
Valve type	N.C.	N.O.	Universal
Number of ports	2		3
Fluid <sup>Note 1)</sup>	Air, Water, Pure water, Diluent, Cleaning solvent		
Operating pressure range	-75 kPa to 0.3 MPa		
Orifice diameter	2 mm		
Response time	20 ms or less (at pneumatic pressure)		
Leakage	Zero leakage, either external or internal (at water pressure)		
Proof pressure <sup>Note 2)</sup>	0.45 MPa		
Ambient temperature	0 to 50°C		
Fluid temperature	0 to 50°C (with no condensation)		
Volume of valve chamber <sup>Note 3)</sup>	84 μℓ		
Mounting orientation <sup>Note 4)</sup>	Free		
Enclosure	IP40 or equivalent		
Weight	80 g		
Rated voltage	12, 24 VDC		
Allowable voltage fluctuation <sup>Note 5)</sup>	±10% of rated voltage		
Type of coil insulation	Class B		
Power consumption (When rated voltage is at 24 V)	Standard		2.5 W (0.1 A)
	With power-saving circuit	Inrush	4 W (0.17 A)
		Holding	0.6 W
Coil switching noise <sup>Note 6)</sup>	60 dB		

Note 1) Select an appropriate material for the wetted part when fluid such as a cleaning solvent is used. Also, be sure to confirm the fluid compatibility in advance.

Note 2) Indicates the pressure which does not generate breakage, cracks or external leakage after a one-minute airtight test.

Note 3) Indicates the volume of clearance inside the valve chamber after the volume of the diaphragm is subtracted.

Note 4) Since the body (orifice shape) is designed to eliminate residual liquid, mounting in a vertical direction with the coil at the top is recommended. When residual liquid is not considered, any mounting orientation is available.

Note 5) When the response speed is regarded as important, prevent negative fluctuation of the voltage by adequate regulation.

Note 6) The value is based on SMC's measurement conditions. The noise level will vary with conditions.

Note 7) Refer to 10 in "Design and Selection" on the back of page 2, if the valve is to be energized continuously for extended periods of time.

## Flow Characteristics

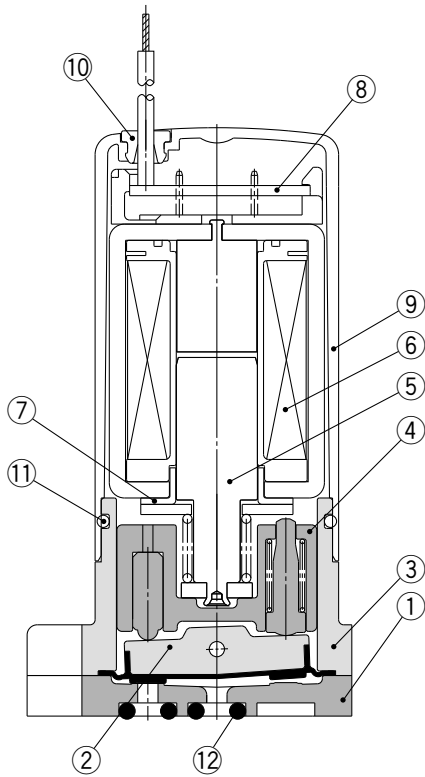
Water		Air	
Av	Cv	C	b
1.56 x 10 <sup>-6</sup>	0.065	0.23	0.27

\* The values of Av and Cv are based on JIS B 2005:1995, C and b are based on JIB B 8390:2000.

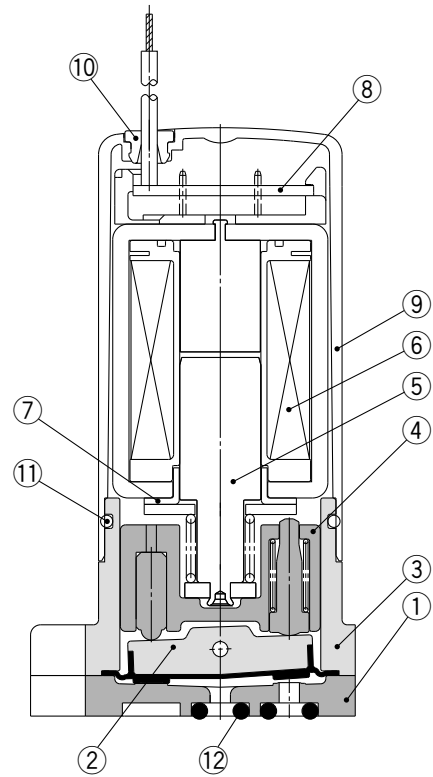
# Series LVM20/200

## Construction: Base Mounted

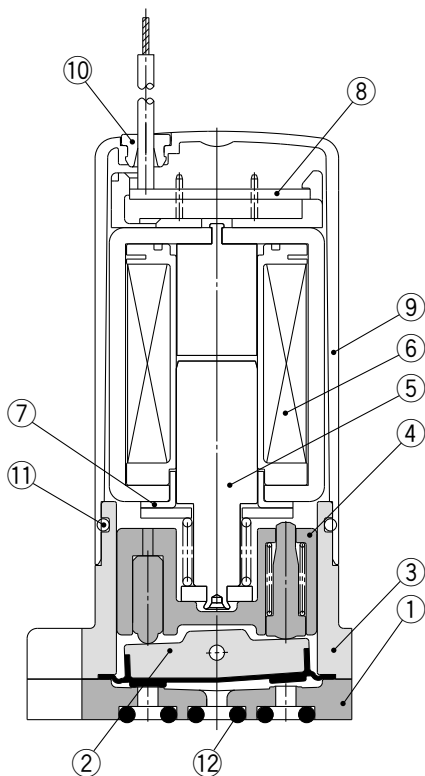
LVM20R3



LVM20R4



LVM205R



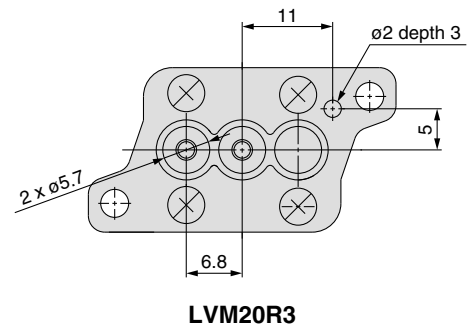
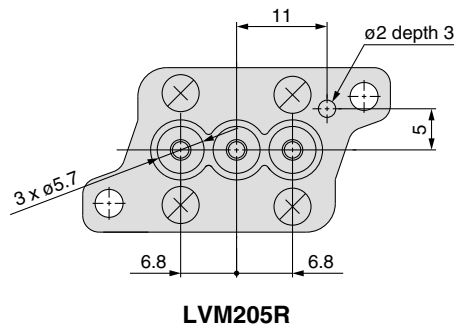
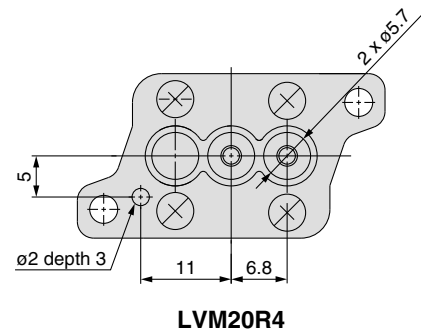
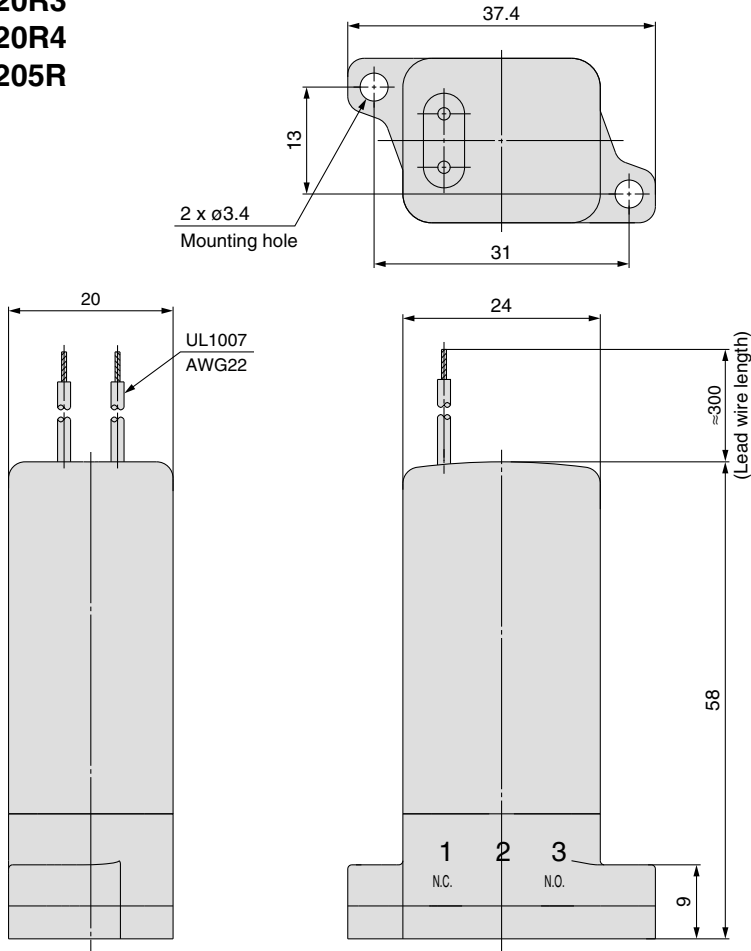
Component Parts: LVM20R3, 20R4, 205R

No.	Description	Material
1	Plate	PEEK
2	Diaphragm assembly	EPDM/FKM/Kalrez®
3	Body	PBT
4	Slide bushing assembly	PPS/Stainless steel
5	Armature assembly	—
6	Coil assembly	—
7	Sleeve	SUY
8	Board assembly	—
9	Casing	PBT
10	Plug	NBR
11	O-ring	NBR
12	O-ring	EPDM/FKM/Kalrez®

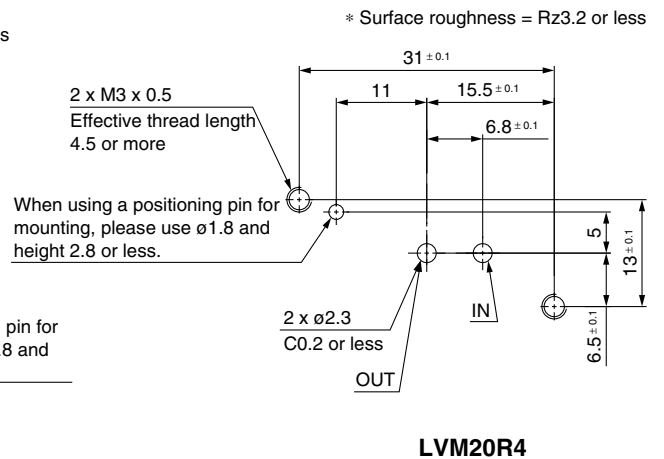
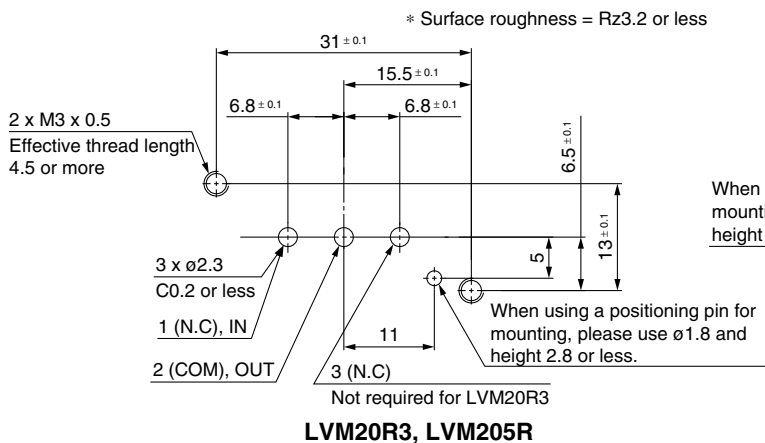
# Compact Direct Operated 2/3 Port Solenoid Valve for Chemicals *Series LVM20/200*

## Dimensions: Base Mounted

**LVM20R3**  
**LVM20R4**  
**LVM205R**



### Recommended interface dimensions








*Series LVM*

# Safety Instructions

The following safety instructions are intended to prevent a hazardous situation and/or equipment damage. These instructions indicate the level of potential hazard by all safety practices, including labels of "**Caution**", "**Warning**" or "**Danger**". To ensure safety, please observe ISO 4414 <sup>Note 1)</sup>, JIS B 8370 <sup>Note 2)</sup>.

 **Caution:** Operator error could result in injury or equipment damage.

 **Warning:** Operator error could result in serious injury or loss of life.

 **Danger :** In extreme conditions, there is a possible result of serious injury or loss of life.

Note 1) ISO 4414: Pneumatic fluid power – General rules relating to systems

Note 2) JIS B 8370: General Rules for Pneumatic Equipment

## Warning

### **1. The compatibility of equipment is the responsibility of the person who designs the system or decides its specifications.**

Since the products specified here are used in various operating conditions, their compatibility with a specific system must be based on specifications, post analysis and/or tests to meet a specific requirement. The expected performance and safety assurance will be the responsibility of the person who has determined the compatibility of the system. This person should continuously review the suitability of all items specified, referring to the latest catalog information and taking into consideration the possibility of equipment failure when configuring a system. Be particularly careful in determining the compatibility with the fluid to be used.

### **2. Only trained personnel should operate machinery and equipment.**

The fluid can be dangerous if handled incorrectly. Assembly, handling or maintenance of the system should be performed by trained and experienced operators.

### **3. Do not service machinery/equipment or attempt to remove components until the safety is confirmed.**

1. Inspection and maintenance of machinery/equipment should only be performed once measures to prevent falling or runaway of the driven object have been confirmed. Measures to prevent danger from a fluid should also be confirmed.

2. When equipment is to be removed, confirm the safety processes mentioned above, release the fluid pressure and be certain there is no danger from fluid leakage or fluid remaining in the system.

3. Carefully restart the machinery, confirming that safety measures are being implemented.

### **4. If the equipment will be used in the following conditions or environment, please contact SMC first and be sure to take all necessary safety precautions.**

1. Conditions and environments beyond the given specifications, or if product is used outdoors.

2. With fluids whose application causes concern due to the type of fluid or additives, etc.

3. An application which has the possibility of having a negative effect on people, property, and therefore requires special safety analysis.



# Series LVM Specific Product Precautions 1

Be sure to read this before handling. Contact SMC when it is used in conditions other than the specifications.

## Design and Selection

### Warning

**1. Do not use this product in applications which may adversely affect human life (e.g. medical equipment connected to the human body for drip infusion).**

**2. Confirm the specifications.**

Give careful consideration to the operating conditions such as the application, fluid and environment, and use within the operating ranges specified in this catalog.

**3. Fluid**

Be sure to confirm the compatibility between the component material and the fluid.

**4. Maintenance space**

The installation should allow sufficient space for maintenance activities.

**5. Fluid pressure range**

Fluid pressure should be within the allowable pressure range.

**6. Ambient environment**

Use within the allowable ambient temperature range. Be sure that the fluid used does not touch the external surface of the product.

**7. Countermeasures against static electricity**

Take measures to prevent static electricity since some fluids can cause static electricity.

**8. Pressure (including vacuum) holding**

It is not usable for an application such as holding the pressure (including vacuum) inside of a pressure vessel because air leakage is entailed in a valve.

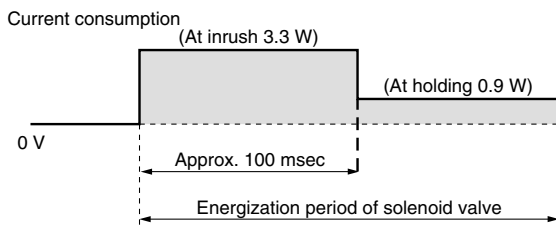
**9. Cannot be used as an emergency shutoff valve, etc.**

The valves presented in this catalog are not designed for safety applications such as an emergency shutoff valve. If the valves are used in this type of system, other reliable safety assurance measures should also be adopted.

**10. Extended periods of continuous energization**

If solenoid valves are to be continuously energized for extended periods of time, use valves with power-saving circuits to minimize the amount of heat released by the coil.

#### Power-saving circuit waveform (example)



- \* Power consumption for the waveform shown above is that of the LVM09/090.
- \* For the LVM15/150, the type with power-saving circuit is standard.
- \* For the LVM10/100, the inrush is 50 msec.

When a solenoid valve without a power-saving circuit is continuously energized for long periods of time, temperature increase from coil heat release can result in worsening performance and shortened service life of the solenoid valve, as well as adverse effects on peripheral equipment in the vicinity. For this reason, when valves are to be continuously energized for extended periods, use a fan or take other measures to disperse heat and keep valve surface temperatures at 70°C or less.

The table below shows reference values for continuously energized valves (single unit) when surface temperature is 70°C or less.

Series	LVM09/090	LVM10/100	LVM20/200
Period of continuous energization	5 min. or less	30 min. or less	30 min. or less
Duty ratio	50% or less		
Ambient temperature	25°C or less		
Power-saving circuit	None		

\* Duty ratio: ON time/(ON time + OFF time)

\* For the LVM15/150, the type with power-saving circuit is standard.

Please use a fan or take other measures to disperse heat and keep temperatures within the specified range when mounting the solenoid valves inside control panels, etc. Be especially careful when using three or more adjacent valves with manifolds and keeping them continuously energized for extended period, as this may result in dramatic increases in temperature.

**11. Please use valve pitches equal to or above those shown in the table below when using multiple valves together.**

Series	LVM09/090	LVM10/100	LVM15/150	LVM20/200
Valve pitch	10.5	14	17	21

## Mounting

### Warning

**1. If air leakage increases or equipment does not operate properly, stop operation.**

After mounting is completed, confirm that it has been done correctly by performing a suitable function test.

**2. Since the body (orifice shape) is designed to eliminate residual liquid, mounting in a vertical direction with the coil at the top is recommended.**

When residual liquid is not considered, any mounting position is possible.



# Series LVM

## Specific Product Precautions 2

Be sure to read this before handling. Contact SMC when it is used in conditions other than the specifications.

### Piping

#### ⚠ Caution

##### 1. Preparation before piping

Before piping is connected, it should be thoroughly blown out with air (flushing) or washed to remove chips, cutting oil and other debris from inside the pipe.

##### 2. When tubing is directly connected to the solenoid valve, insert the tubing straight into the nipple for a complete fit.

The reference inner diameter of the tubing is  $\phi 2.5$  or less. Exercise care in selecting the tubing so that the outer diameter of the tubing after being connected does not exceed  $\phi 4.5$ .

The holding force varies by the tubing material. Be sure to confirm the holding force of each material before operation.

After connecting the tubing, care should be taken not to put excessive force (tensile force, compression, bending, etc.) on the tubing. Applying an external force of greater than 20 N to the nipple may cause leakage.

Models: LVM10R1, 10R2, 102R

##### 3. Always tighten threads with the proper tightening torque.

Screw the fitting into the solenoid valve and tighten by referring to the tightening torque below.

Models: LVM11, 10R3, 10R4, 10R6, 105R

#### Tightening Torque for Piping

Model	Thread size	Proper tightening torque N·m	
Base mounted LVM09R3, 09R4, 095R	M2	0.1 to 0.14	
Body ported LVM11	M5	1.5 to 2	
Base mounted LVM10R3, 10R4, 10R6, 105R	Without sub-plate	M2 (Note)	0.15 to 0.2
	With sub-plate	M6 or 1/4-28UNF	1.5 to 2
Base mounted LVM15R3, 15R4, 155R	M2.5	0.25 to 0.35	
Base mounted LVM20R3, 20R4, 205R	M3	0.4 to 0.6	

Note) At base mounted

\* Reference

M5, M6, 1/4-28UNF thread type fitting: After tightening by hand, tighten approximately 1/6 turn with a tightening tool.

### Wiring

#### ⚠ Caution

##### 1. Use electrical circuits which do not generate chattering in their contacts.

##### 2. Use voltage which is within $\pm 10\%$ of the rated voltage.

However, when the response time is important, control the voltage to avoid variation on the minus side.

##### 3. Apply the correct voltage.

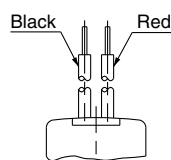
Applying incorrect voltage may cause a malfunction or a burned coil.

##### 4. Connect the wires so that an external force of greater than 10 N is not applied to the lead wire.

Otherwise the coil will burn.

##### 5. Units with power-saving circuits use polarized electrical connections.

Red (+), Black (-)



### Fluid Properties

#### ⚠ Warning

##### Liquid (chemicals)

Component crystallizes or clots depending on its nature. Leakage will occur when a crystallized or clotted component is caught between the sealing parts.

Take measures to clean such component if necessary.

##### Water

Install a filter strainer of about 100 mesh on the inlet side of the piping.

##### Air

Compressed air filtered with a filter with filtration rating of 5  $\mu\text{m}$  or less, which is mounted on the inlet side of the piping, should be used.

### Operating Environment

#### ⚠ Warning

##### 1. Do not use in explosive atmospheres.

##### 2. Do not use in locations subject to excessive vibration or impact.

Impact resistance of this solenoid valve is 150 m/s<sup>2</sup>. Vibration resistance of this solenoid valve is 30 m/s<sup>2</sup>.

##### 3. Do not use in locations where radiated heat will be received from nearby heat sources.

### Maintenance

#### ⚠ Warning

##### 1. Removing the product

Shut off the fluid supply and release the fluid pressure in the system. Shut off the power supply. Remove the product.

##### 2. Before operating, remove residual chemicals and completely replace it with deionized water, air, etc.

##### 3. Do not disassemble the product.

Products which have been disassembled cannot be guaranteed. If disassembly is necessary, contact SMC.





#### Record of changes

- B edition** \* Addition of the LVM09/090, LVM15/150, LVM20/200 series.  
\* Change of model numbers for the LVM10/100 series.  
\* Number of pages from 12 to 28.

LU

## SMC Corporation

Akihabara UDX 15F,  
4-14-1, Sotokanda, Chiyoda-ku, Tokyo 101-0021, JAPAN  
Phone: 03-5207-8249 FAX: 03-5298-5362  
URL <http://www.smcworld.com>  
© 2007 SMC Corporation All Rights Reserved

Specifications are subject to change without prior notice  
and any obligation on the part of the manufacturer.

D-DN

1st printing JU printing LU 13500DN Printed in Japan.

This catalog is printed on recycled paper with concern for the global environment.