

# Compact Direct Operated 2/3 Port Solenoid Valve for Water and Air

## Series **VDW**

**VDW10/20/30: 2 Port, VDW200/300: 3 Port**



- VX2
- VXD
- VXZ
- VXE
- VXP
- VXR
- VXH
- VXF
- VX3
- VXA
- VCH
- VDW**
- VQ
- LVM
- VCA
- VCB
- VCL
- VCS
- VCW

### Molded coil specifications have been added!

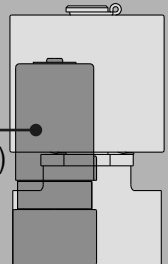
**IP65**



**Grommet/Molded    Faston™ terminal<sup>Note)</sup>/Molded**

### Compact / Lightweight (as compared to the VX series)

Single valve volume: Reduced by -75% (VDW20)  
 100 g: Reduced approx. by -50%  
 (for orifice diameter equivalent to  $\phi 2$ )

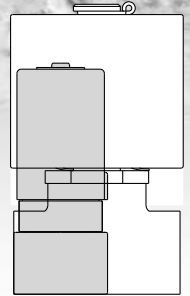


Note) Faston™ is a trademark of Tyco Electronics Corp.

**For Water and Air Compact Direct Operated 2/3 Port Solenoid Valve**

# Series VDW

- **Compact (as compared to the VX series)**  
Single valve volume: **Reduced by -75%** (VDW20)  
Manifold length: **Reduced by -18%** (VDW30, 7 stations)
- **Lightweight (as compared to the VX series)**  
**100 g: Reduced approx. by -50%**  
(for orifice diameter equivalent to  $\varnothing 2$ )



## Improved durability (Nearly twice the life of the previous series)

The use of a unique magnetic material reduces the operating resistance of moving parts, while improving service life, wear and corrosion resistance.

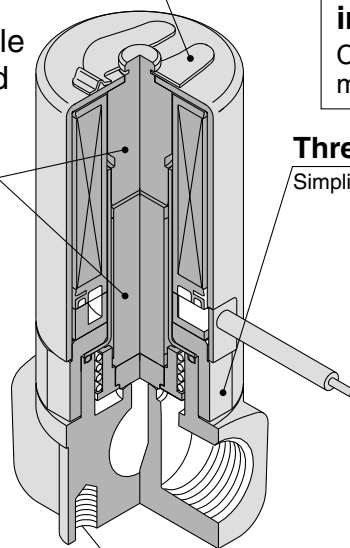
**Improved corrosion resistance**  
Special material introduced

**Clip type**

**Ease of maintenance has been improved.**

Changing of the coil is made easy by means of clip design. (2 port)

**Threaded assembly**  
Simplifies maintenance.



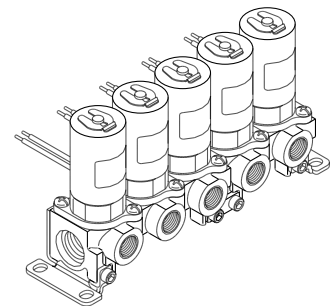
**Brass (C37)/Stainless steel manifolds added to series (2 port)**

**High flow rate: Cv factor 0.04 to 0.46 (2 port)**

**Universal porting VDW200/300 (3 port)**

**Improved environment resistance**  
Environment resistance is improved by using a molded coil. (Enclosure IP65 or equivalent, grommet mold)

**Threaded for bottom mounting**  
Special bracket can be mounted.



Grommet/Molded

### Lineup by Compact Design

2 Port P.243			3 Port P.254	
$\varnothing 17$	$\varnothing 20.5$	$\varnothing 28$	$\varnothing 20.5$	$\varnothing 28$
VDW10	VDW20	VDW30	VDW200	VDW300

# Compact Direct Operated 2 Port Solenoid Valve for Water and Air Series **VDW10/20/30**



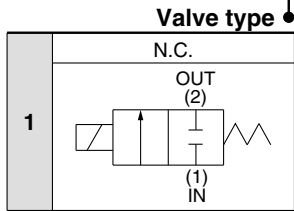
## How to Order Valves (Single Unit)

**VDW** **2** **1** - **1** **G** - **2** - **01** - - - -

For Water, Air, Vacuum

**Series**

1	10
2	20
3	30



**Made to Order**  
(Refer to page 244.)

**Option**

Nil	None
F	Foot bracket

Note) The foot bracket is packed with a valve.

**Material and insulation type**

Symbol	Body material	Seal material	Coil insulation
Nil	Brass (C37)	NBR	Class B
A		FKM	
B		EPDM	
G	Stainless steel	NBR	
H		FKM	
J		EPDM	
L (Note)		FKM	

Note) The armature assembly is a corrosion resistant construction.

**Voltage**

Symbol	Voltage	Grommet / Tape winding (G)	Faston terminal, Molded (F)	Grommet / Molded (W)
1	100 VAC (50/60 Hz)	●	—	●
2	200 VAC (50/60 Hz)	●	—	●
3	110 VAC (50/60 Hz)	●	—	●
4	220 VAC (50/60 Hz)	●	—	●
5	24 VDC	●	●	●
6	12 VDC	●	●	●
V	6 VDC	●	●	●
S	5 VDC	●	●	●
R	3 VDC	●	●	●

\* Please consult with SMC regarding other voltages.

**Thread type**

Nil	Rc
F	G
N	NPT

**Port size**

Symbol	Port size	Series		
		10	20	30
M5	M5	○	○	—
01	1/8 (6A)	—	○	○
02	1/4 (8A)	—	—	○

**Orifice diameter**

Symbol	Orifice diameter (mm ø)	Series
1	1	10
2	1.6	
1	1.6	20
2	2.3	
3	3.2	
2	2	30
3	3	
4	4	

**Coil type**

G – Grommet / Tape winding	W – Grommet / Molded
<p>Magnet wire protection: Tape winding</p>	<p>Magnet wire protection: Resin Molded</p>
<p><b>F – Faston terminal / Molded</b></p> <p>Magnet wire protection: Resin Molded</p>	

**Series and Coil Type Combinations**

Series	Grommet / Tape winding	Faston terminal / Molded	Grommet / Molded
10	●	—	●
20	●	●	●
30	●	●	●

VX2

VXD

VXZ

VXE

VXP

VXR

VXH

VXF

VX3

VXA

VCH□

**VDW**

VQ

LVM

VCA

VCB

VCL

VCS

VCW

# Series VDW10/20/30



**Made to Order**  
(For details, refer to page 259.)

Symbol	Specifications
<b>X22</b>	Non-leak ( $10^{-6}$ Pa·m <sup>3</sup> /sec) / Vacuum (0.1Pa-abs) specification
<b>X23</b>	Oil-free specification
<b>X60</b>	Lead wire length: 600 mm specification
<b>X133</b>	Seal material: Kalrez <sup>®</sup> specification <sup>Note)</sup>

Note) Kalrez<sup>®</sup> is a registered trademark of DuPont Dow Elastomers.

## Standard Specifications

Valve specifications		Valve construction	Direct operated poppet	
Valve specifications	Fluid <sup>Note 2)</sup>	Withstand pressure (MPa)	Water (except waste water or agricultural water), Air, Low vacuum	
	Withstand pressure (MPa)	Ambient temperature (°C)	2.0	
	Ambient temperature (°C)	Fluid temperature (°C)	-10 to 50	
	Fluid temperature (°C)	Environment	1 to 50 (No freezing)	
	Environment	Valve leakage (cm <sup>3</sup> /min)	Location without corrosive or explosive gases	
	Valve leakage (cm <sup>3</sup> /min)	Mounting orientation	0 (with water pressure) 1 or less (Air)	
	Mounting orientation	Vibration/Impact (m/s <sup>2</sup> ) <sup>Note 4)</sup>	Unrestricted	
	Vibration/Impact (m/s <sup>2</sup> ) <sup>Note 4)</sup>		30/150	
Coil specifications	Rated voltage	Rated voltage	24 VDC, 12 VDC, 6 VDC, 5 VDC, 3 VDC, 100 VAC, 110 VAC, 200 VAC, 220 VAC (50/60 Hz)	
	Allowable voltage fluctuation (%)	Coil insulation type	±10% of rated voltage	
	Coil insulation type	Enclosure	Class B	
	Enclosure		Grommet / Tape winding	Dust-proof (equivalent to IP40)
			Faston terminal / Molded	Dust-tight (equivalent to IP60) <sup>Note 5)</sup>
Grommet / Molded		Dust-tight / Low jetproof (equivalent to IP65)		
Power consumption (W) <sup>Note 3)</sup>	Power consumption (W) <sup>Note 3)</sup>		2.5 (VDW10), 3 (VDW20/30)	



Note 1) When used under conditions which may cause condensation on the exterior of the product, select Grommet / Molded.

Note 2) When used with deionized water, select "L" (Stainless steel, FKM) for the material type.

Note 3) Since the AC coil specification includes a rectifier element, there is no difference in power consumption between inrush and holding.

In the case of 110/220 VAC, the VDW10 is 3 W and the VDW20/30 is 3.5 W.

Note 4) Vibration resistance ..... No malfunction when tested with one sweep of 5 to 200 Hz in the axial direction and at a right angle to the armature, in both energized and deenergized states.

Impact resistance ..... No malfunction when tested with a drop tester in the axial direction and at a right angle to the armature, one time each in energized and deenergized states.

Note 5) Since electrical connections are exposed, there is no water resistance.

## Characteristic Specifications

Model	Port size	Orifice dia. (mm ø)	Max. operating pressure differential (MPa) <sup>Note 1)</sup>		Operating Pressure range (MPa) <sup>Note 2)</sup>	Mass (kg)
			Pressure port 1	Pressure port 2		
VDW10	M5	1	0.9	0.4	0 to 1.0	0.08
		1.6	0.4	0.2		
VDW20	M5 1/8 (6A)	1.6	0.7	0.2		
		2.3	0.4	0.1		
		3.2	0.2	0.05		
VDW30	1/8 (6A) 1/4 (8A)	2	0.8	0.2		
		3	0.4	0.1		
		4	0.2	0.05		



Note 1) The maximum operating pressure differential changes depending on the flow direction of the fluid. Refer to page 264 for details.

Note 2) For low vacuum specifications, the operating pressure range is 1 Torr (1.33 x 10<sup>2</sup> Pa) to 1.0 MPa.

Please consult with SMC if using below 1 Torr (1.33 x 10<sup>2</sup> Pa).

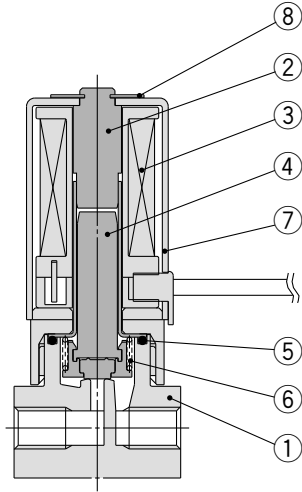
## Flow Characteristics

Model	Port size	Orifice dia. (mm ø)	Water		Air		
			1→2 (IN→N.C.)		1→2 (IN→N.C.)		
			N.C.	Av x 10 <sup>-6</sup> m <sup>2</sup>	Cv converted	C [dm <sup>3</sup> /(s·bar)]	b
VDW10	M5	1	0.96	0.04	0.14	0.40	0.04
		1.6	1.7	0.07	0.30	0.25	0.07
VDW20	M5 1/8 (6A)	1.6	1.9	0.08	0.31	0.45	0.09
		2.3	4.3	0.18	0.58	0.45	0.18
		3.2	7.2	0.30	1.2	0.38	0.33
VDW30	1/8 (6A) 1/4 (8A)	2	3.8	0.16	0.52	0.52	0.16
		3	6.7	0.28	1.0	0.52	0.30
		4	11	0.44	1.5	0.49	0.46

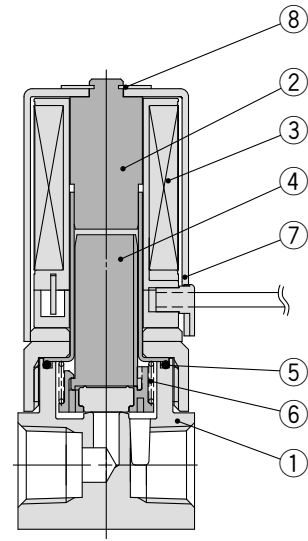
**Compact Direct Operated  
2 Port Solenoid Valve for Water and Air Series VDW10/20/30**

**Construction**

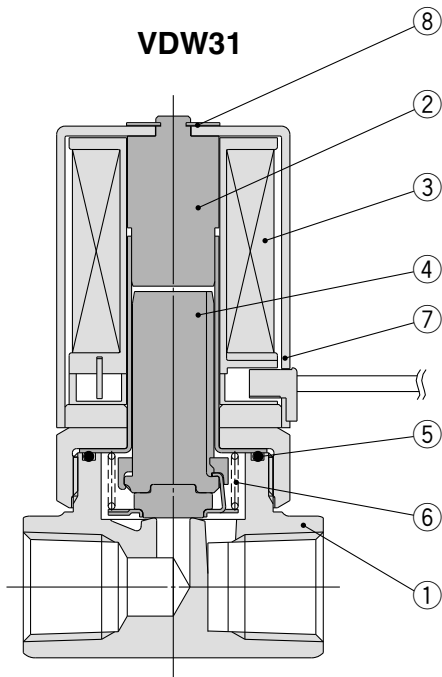
**VDW11**



**VDW21**



**VDW31**



**Component Parts**

No.	Description	Material	
		Standard	Option
1	<b>Body</b>	Brass (C37)	Stainless steel
2	<b>Tube assembly</b>	Stainless steel	—
3	<b>Coil assembly</b>	—	—
4	<b>Armature assembly</b>	Stainless steel, PPS, NBR	FKM, EPDM
5	<b>O-ring (Body)</b>	NBR	FKM, EPDM
6	<b>Return spring</b>	Stainless steel	—
7	<b>Cover</b>	SPCE	—
8	<b>Clip</b>	Stainless steel	—

VX2

VXD

VXZ

VXE

VXP

VXR

VXH

VXF

VX3

VXA

VCH□

**VDW**

VQ

LVM

VCA

VCB

VCL

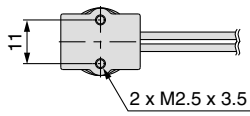
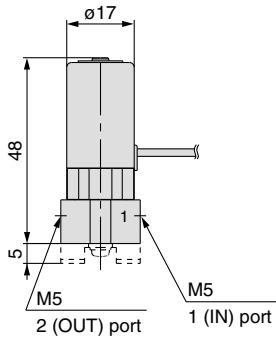
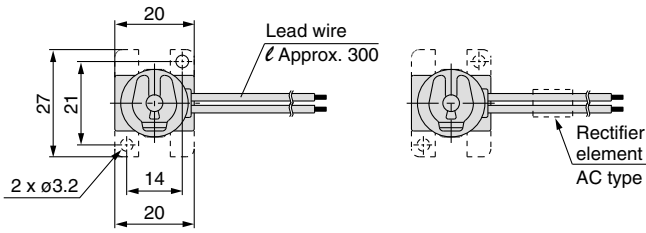
VCS

VCW

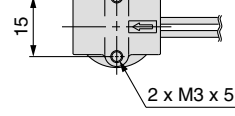
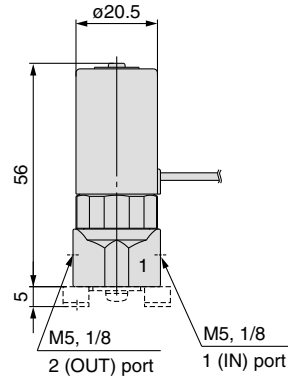
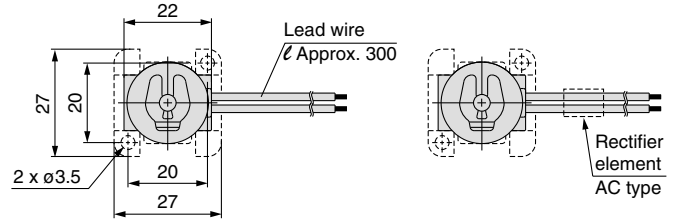
# Series VDW10/20/30

## Dimensions

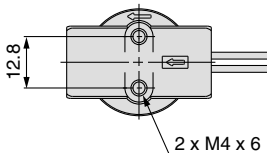
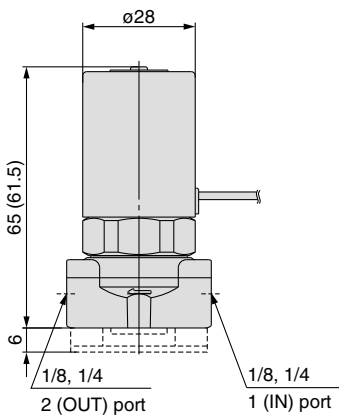
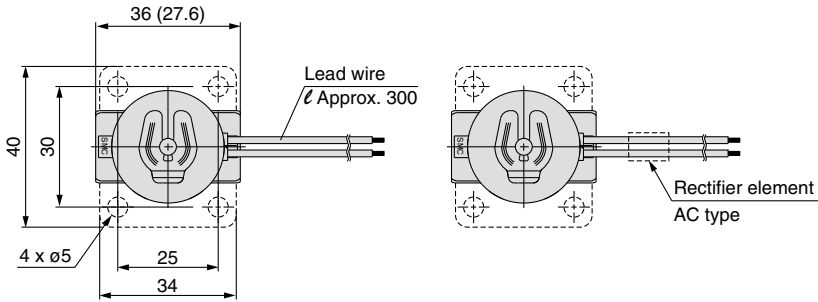
### VDW11-□<sup>G</sup><sub>W</sub>



### VDW21-□<sup>G</sup><sub>W</sub>



### VDW31-□<sup>G</sup><sub>W</sub>



Dimensions inside ( ) are for port size 1/8.

### Bracket assembly part no.

- Series 10, 20

**VDW 2 0 - 15A - 1**

- Series

1	10
2	20

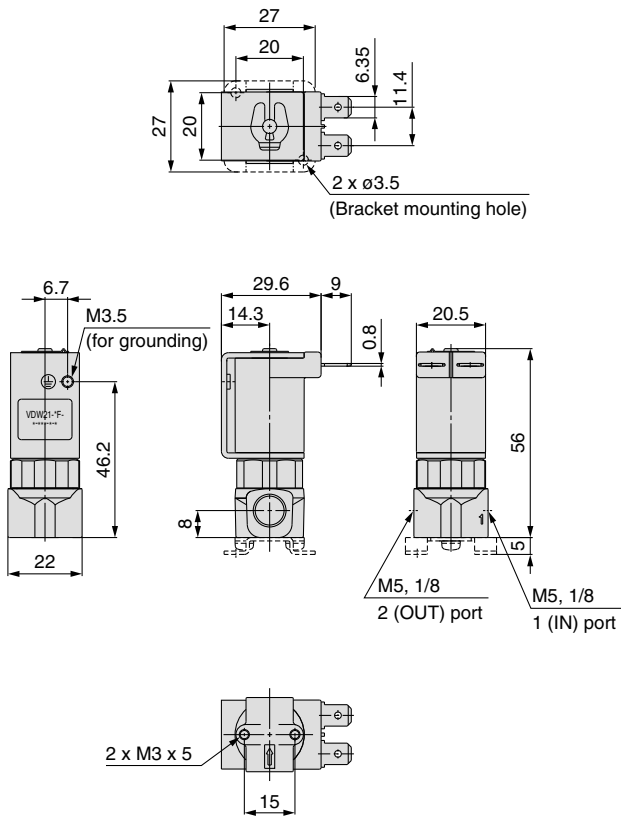
- Series 30

**VCW20 - 12 - 01A**

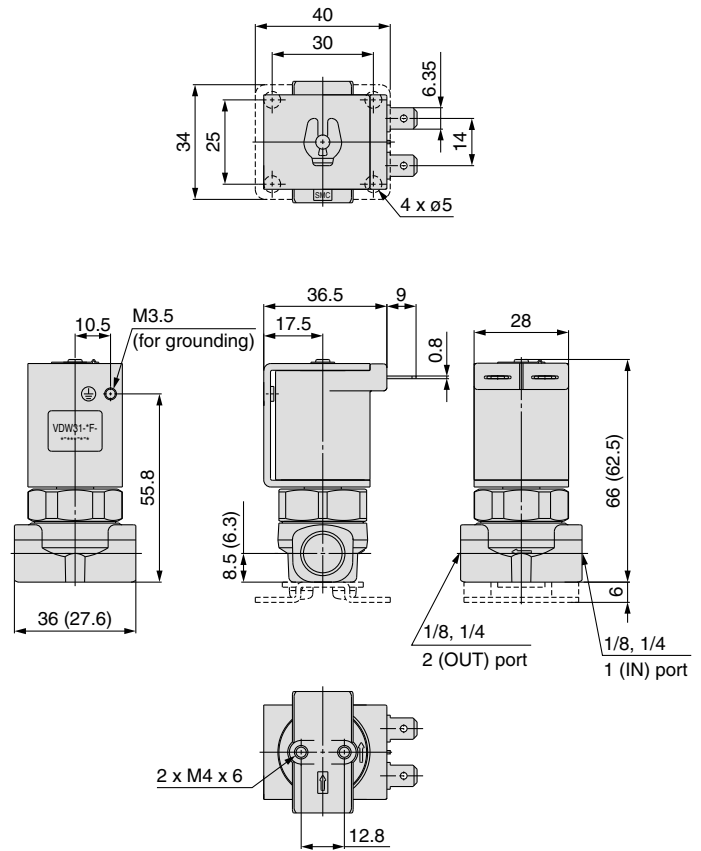
**Compact Direct Operated  
2 Port Solenoid Valve for Water and Air Series VDW10/20/30**

**Dimensions**

**VDW21-□F**



**VDW31-□F**



**Bracket assembly part no.**

- Series 20

**VDW20 – 15A – 1**

- Series 30

**VCW20 – 12 – 01A**

VX2

VXD

VXZ

VXE

VXP

VXR

VXH

VXF

VX3

VXA

VCH□

**VDW**

VQ

LVM

VCA

VCB

VCL

VCS

VCW

# Series VDW10/20/30

## How to Order Manifold

**VV2DW 2 - 05 01 -**

**Series**

1	10
2	20
3	30

**Material**

Symbol	Manifold material	Seal material
Nil	Brass (C37)	NBR
A		FKM
B		EPDM
G	Stainless steel	NBR
H		FKM
J		EPDM

**Option**

Nil	None
F	With bracket

Note) Series 30 is available with bracket only.

**Thread type**

Nil	Rc
F	G
N	NPT

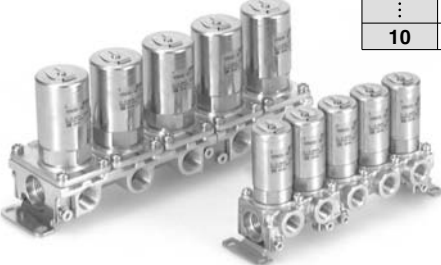
**Stations**

02	2 stations
⋮	⋮
10	10 stations

**OUT port size**

Symbol	Port size	Series		
		10	20	30
M5	M5	○	○	—
01	1/8 (6A)	—	○	○
02	1/4 (8A)	—	—	○

Note) IN port sizes are as follows.  
10: 1/8 (6A)  
20: 1/4 (8A)  
30: 3/8 (10A)



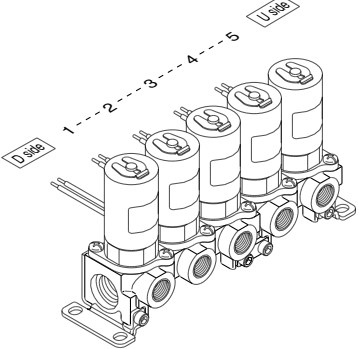
## How to Order Manifold Assembly

Enter the mounting valve and option part numbers under the manifold base part number.

**<Ordering example>**  
**VV2DW2-0501** .....1 set **Manifold part no.**  
**\*VDW23-5G-2** .....5 sets **Valve part no. (Stations 1 to 5)**

"\*" is the symbol for assembly. Add an "\*" in front of the part numbers to have solenoid valves, etc. mounted on manifold.

Enter together in order, counting from station 1 on the D side.



## How to Order Valves (For Manifold)

**VDW 2 3 - 5 G - 2 -**

**Series**

1	10
2	20
3	30

**Valve type**

3	N.C. for manifold
---	-------------------

**Voltage**

Symbol	Voltage	Grommet / Tape winding (G)	Faston terminal, Molded (F)	Grommet / Molded (W)
1	100 VAC (50/60 Hz)	●	—	●
2	200 VAC (50/60 Hz)	●	—	●
3	110 VAC (50/60 Hz)	●	—	●
4	220 VAC (50/60 Hz)	●	—	●
5	24 VDC	●	●	●
6	12 VDC	●	●	●
V	6 VDC	●	●	●
S	5 VDC	●	●	●
R	3 VDC	●	●	●

\* Please consult with SMC regarding other voltages.

**Material and insulation type**

Symbol	Body material	Seal material	Coil insulation
Nil	Brass (C37)	NBR	Class B
A		FKM	
B		EPDM	
G	Stainless steel	NBR	
H		FKM	
J		EPDM	
L (Note)		FKM	

Note) The armature assembly is a corrosion resistant construction.

**Coil type** (Note)

G	Grommet / Tape winding
F	Faston terminal / Molded
W	Grommet / Molded

Note) About series and coil type combinations, refer to page 243.

**Orifice diameter**

Symbol	Orifice diameter (mmø)	Series
1	1	10
2	1.6	
3	2.3	
1	1.6	20
2	2.3	
3	3.2	
2	2	30
3	3	
4	4	

## Manifold Options

### Blanking plate assembly

#### • Series 10, 20

**VVDW 2 0 - 3A -**

**Series**

1	10
2	20

**Material**

Symbol	Plate material	Seal material
G	Stainless steel	NBR
H		FKM
J		EPDM

\* Plate material is stainless steel only.

#### • Series 30

**VVCW20 - 3A -**

**Material**

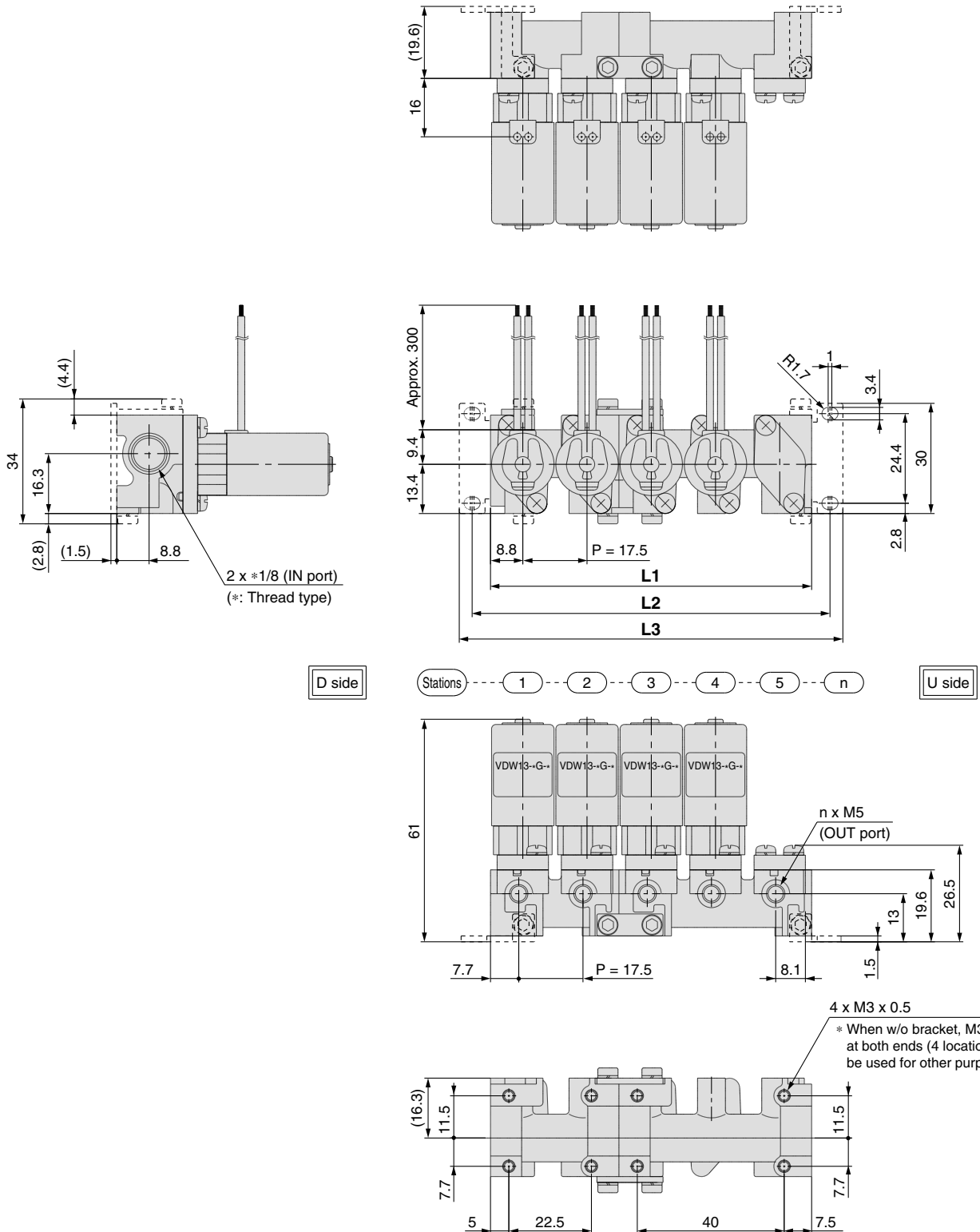
Symbol	Plate material	Seal material
G	Stainless steel	NBR
H		FKM
J		EPDM



# Compact Direct Operated 2 Port Solenoid Valve for Water and Air *Series VDW10/20/30*

## Dimensions

### VV2DW1



- VX2
- VXD
- VXZ
- VXE
- VXP
- VXR
- VXH
- VXF
- VX3
- VXA
- VCH
- VDW**
- VQ
- LVM
- VCA
- VCB
- VCL
- VCS
- VCW

### L Dimension

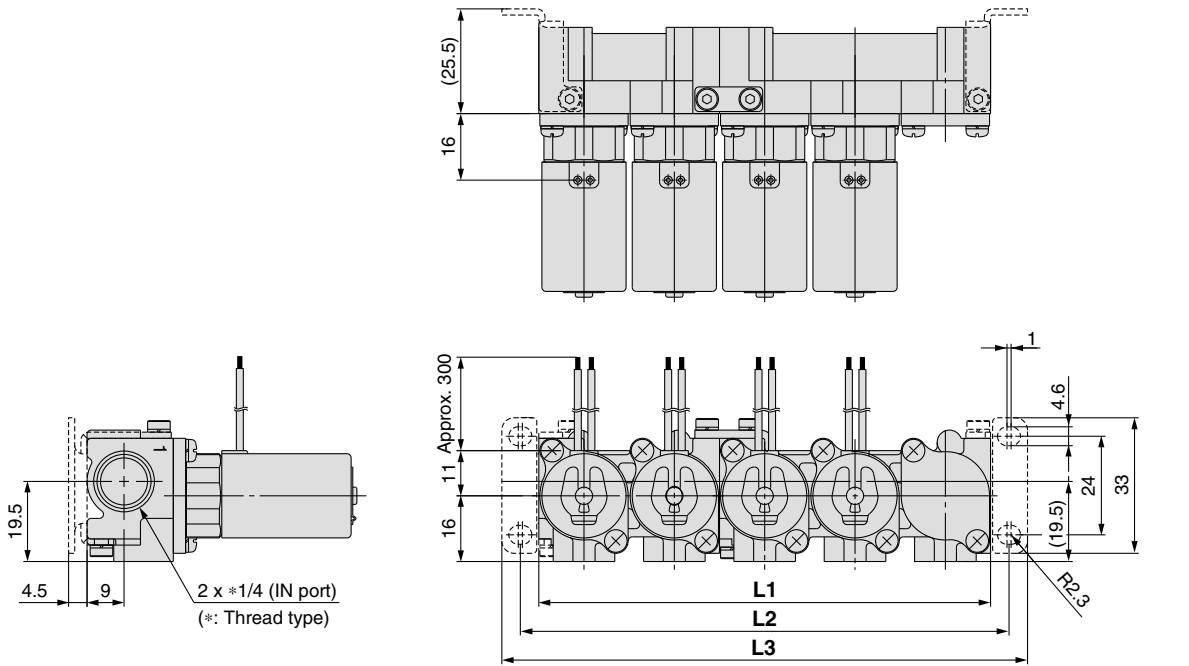
Dimension	n (stations)								
	2	3	4	5	6	7	8	9	10
<b>L1</b>	35	52.5	70	87.5	105	122.5	140	157.5	175
<b>L2</b>	45	62.5	80	97.5	115	132.5	150	167.5	185
<b>L3</b>	52	69.5	87	104.5	122	139.5	157	174.5	192
Manifold composition	2 stns. x 1	3 stns. x 1	2 stns. x 2	2 stns. + 3 stns.	3 stns. x 2	2 stns. x 2 + 3 stns.	2 stns. + 3 stns. x 2	3 stns. x 3	2 stns. x 2 + 3 stns. x 2

Note) Manifold base is consisted of the junction of 2 and 3 station bases.  
Refer to page 252 and 253 regarding manifold additions.

# Series VDW10/20/30

## Dimensions

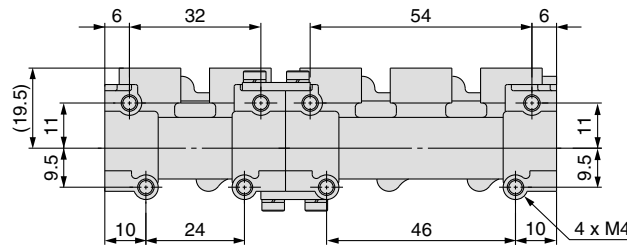
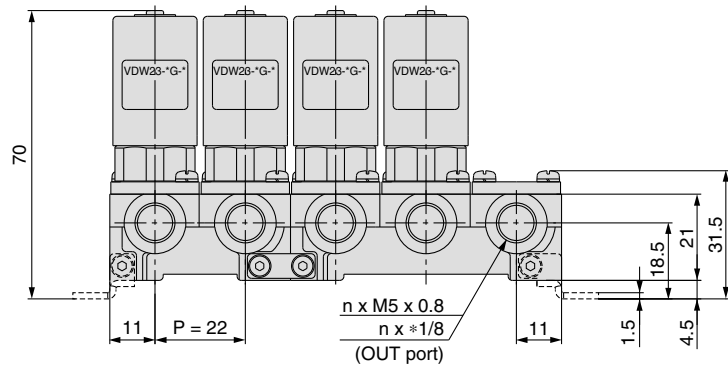
### VV2DW2



D side

Stations 1 2 3 4 5 n

U side



\* When w/o bracket, M4 threads at both ends (4 locations) can be used for other purposes.

## L Dimension

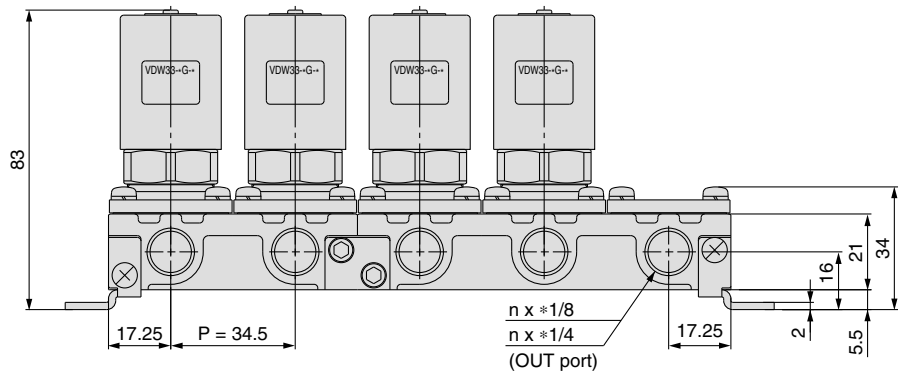
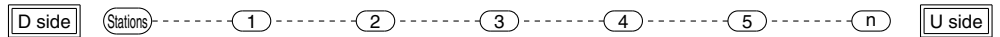
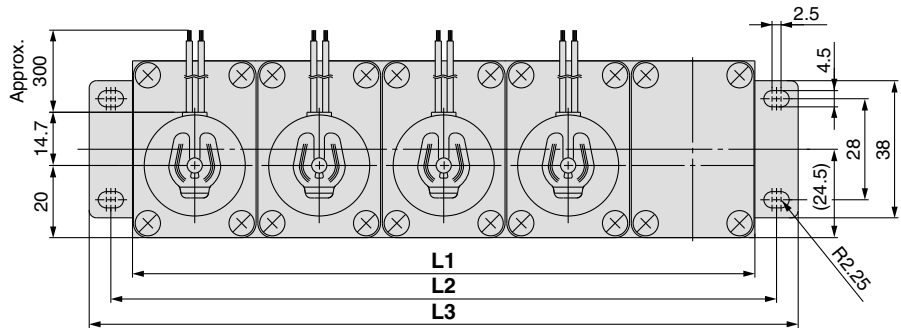
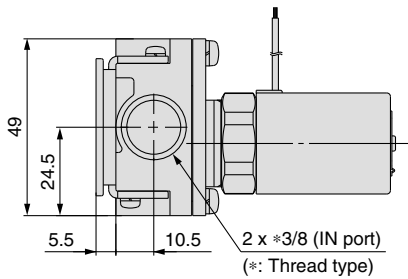
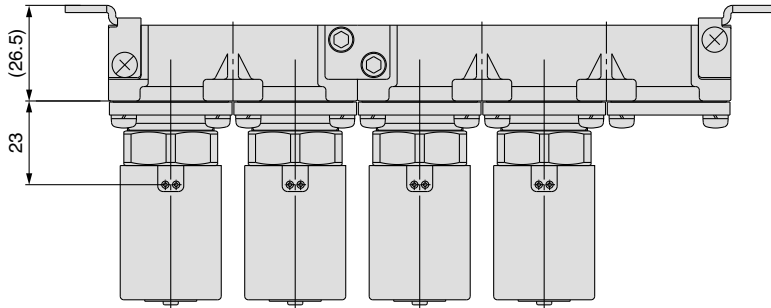
(mm)

Dimension	n (stations)									
	2	3	4	5	6	7	8	9	10	
L1	44	66	88	110	132	154	176	198	220	
L2	53	75	97	119	141	163	185	207	229	
L3	62	84	106	128	150	172	194	216	238	
Manifold composition	2 stns. x 1	3 stns. x 1	2 stns. x 2	2 stns. + 3 stns.	3 stns. x 2	2 stns. x 2 + 3 stns.	2 stns. + 3 stns. x 2	3 stns. x 3	2 stns. x 2 + 3 stns. x 2	

Note) Manifold base is consisted of the junction of 2 and 3 station bases. Refer to page 252 and 253 regarding manifold additions.

**Compact Direct Operated  
2 Port Solenoid Valve for Water and Air Series VDW10/20/30**

**VV2DW3**



**L Dimension**

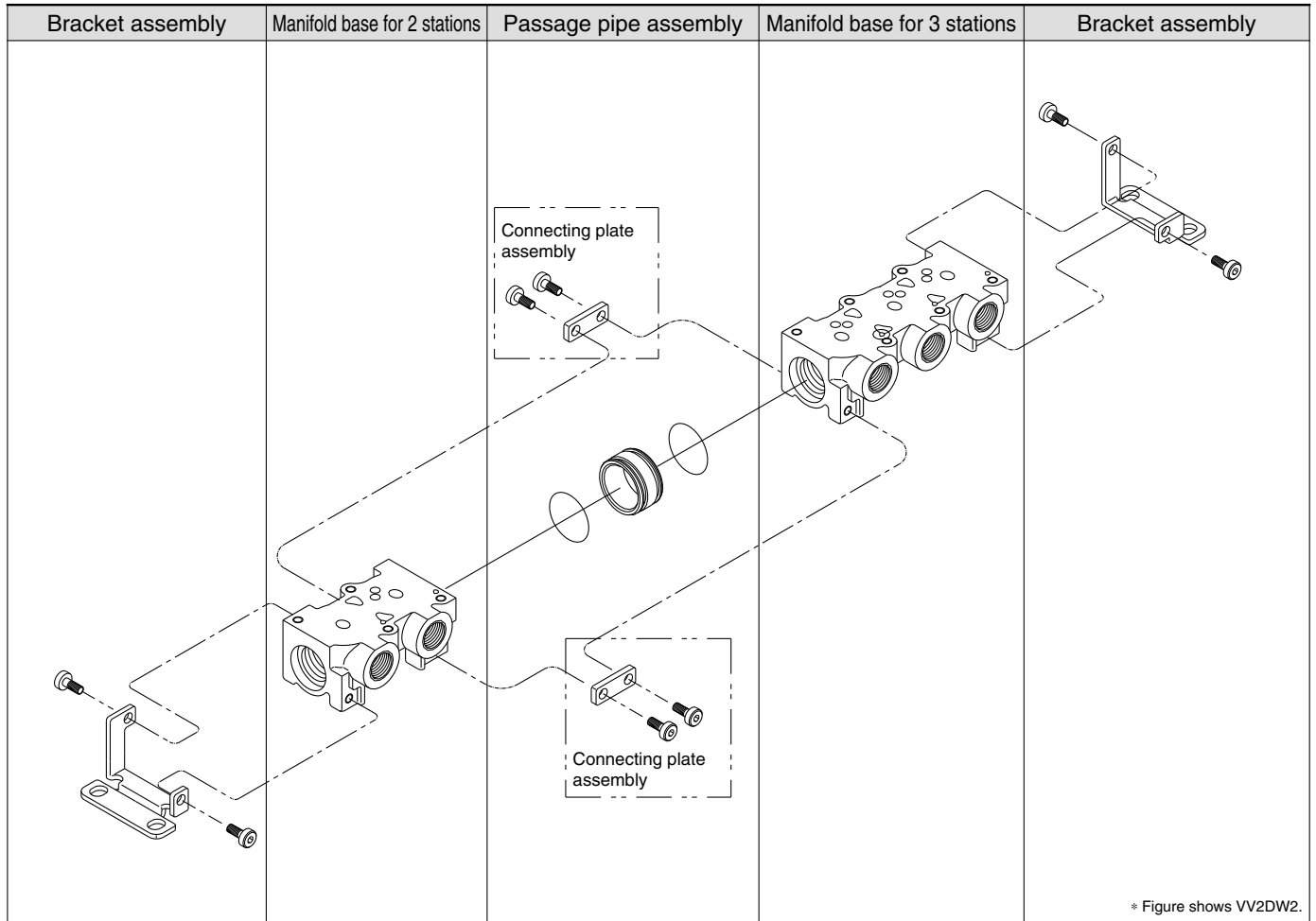
Dimension	n (stations)									
	2	3	4	5	6	7	8	9	10	
<b>L1</b>	70	105	140	175	210	245	280	315	350	
<b>L2</b>	82	117	152	187	222	257	292	327	362	
<b>L3</b>	94	129	164	199	234	269	304	339	374	
Manifold composition	2 stns. x 1	3 stns. x 1	2 stns. x 2	2 stns. + 3 stns.	3 stns. x 2	2 stns. x 2 + 3 stns.	2 stns. + 3 stns. x 2	3 stns. x 3	2 stns. x 2 + 3 stns. x 2	

Note) Manifold base is consisted of the junction of 2 and 3 station bases.  
Refer to page 252 and 253 regarding manifold additions.

- VX2
- VXD
- VXZ
- VXE
- VXP
- VXR
- VXH
- VXF
- VX3
- VXA
- VCH □
- VDW**
- VQ
- LVM
- VCA
- VCB
- VCL
- VCS
- VCW

# Series VDW10/20/30

## Manifold Exploded View



## Manifold additions

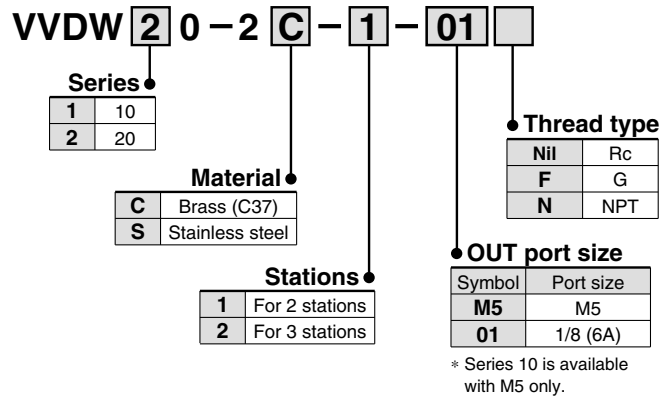
- 1 Install a passage pipe assembly in between the manifold bases to be added.
- 2 Connect the respective manifold bases with a connecting plate assembly. (Tightening torque:  $0.9 \pm 0.1$  N·m)
- 3 Attach brackets to the manifold bases. {when equipped with brackets} (Tightening torque:  $0.9 \pm 0.1$  N·m)

Note) Manifold can be increased by every 2 or 3-station unit.  
Order one set each of manifold base, connection plate assembly and passage pipe assembly.

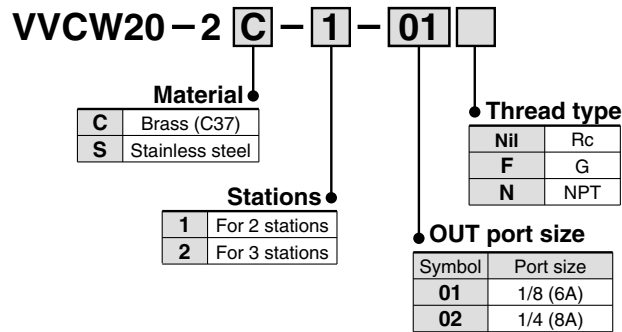
# Compact Direct Operated 2 Port Solenoid Valve for Water and Air *Series VDW10/20/30*

## <Manifold base>

### • Series 10, 20

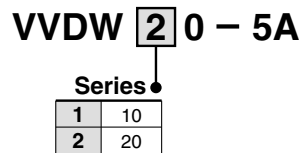



### • Series 30



## <Bracket assembly>

### • Series 10, 20



 Note) Consists of a set for D and U sides.

### • Series 30

## VVCW20-5A

## <Connecting plate assembly>

### • Series 10, 20

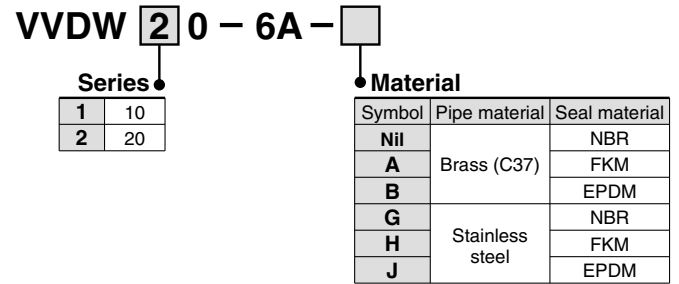


### • Series 30

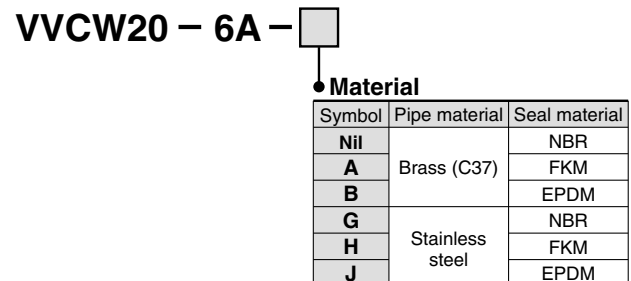
## VVCW20-4A

## <Passage pipe assembly>

### • Series 10, 20



### • Series 30



VX2

VXD

VXZ

VXE

VXP

VXR

VXH

VXF

VX3

VXA

VCH

VDW

VQ

LVM

VCA

VCB

VCL

VCS

VCW

# Compact Direct Operated 3 Port Solenoid Valve for Water and Air Series **VDW200/300**



## How to Order Valves (Single Unit)

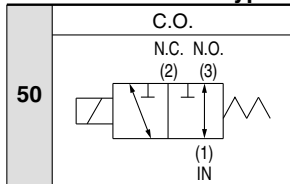
**VDW 2 50 - 1 G - 2 - 01** [ ] - [ ] - [ ] - [ ]

For Water, Air, Vacuum

Series

2	200
3	300

Valve type



Made to Order  
(Refer to page 255.)

Option

Nil	None
F	Foot bracket

Note) The foot bracket is packed with a valve.

Material and insulation type

Symbol	Body material	Seal material	Coil insulation
Nil	Brass (C37)	NBR	Class B
A		FKM	
B		EPDM	
G	Stainless steel	NBR	
H		FKM	
J		EPDM	
L (Note)		FKM	

Note) The armature assembly is a corrosion resistant construction.

Voltage

Symbol	Voltage	Grommet / Tape winding (G)	Faston terminal, Molded (F)	Grommet / Molded (W)
1	100 VAC (50/60 Hz)	●	—	●
2	200 VAC (50/60 Hz)	●	—	●
3	110 VAC (50/60 Hz)	●	—	●
4	220 VAC (50/60 Hz)	●	—	●
5	24 VDC	●	●	●
6	12 VDC	●	●	●
V	6 VDC	●	●	●
S	5 VDC	●	●	●
R	3 VDC	●	●	●

\* Please consult with SMC regarding other voltages.

Thread type

Nil	Rc
F	G
N	NPT

Coil type

G – Grommet / Tape winding	W – Grommet / Molded
<p>Magnet wire protection: Tape winding</p>	<p>Magnet wire protection: Resin Molded</p>
<p>F – Faston terminal / Molded</p> <p>Magnet wire protection: Resin Molded</p>	

Port size

Symbol	Port size	Series	
		200	300
M5	M5	○	—
01	1/8 (6A)	○	○
02	1/4 (8A)	—	○

Orifice diameter

Symbol	N.C. Orifice diameter (mm ø)	N.O. Orifice diameter (mm ø)	Series
1	1	1	200
2	1.6		
2	2		
3	3	1.8	300
4	4		

# Compact Direct Operated 3 Port Solenoid Valve for Water and Air *Series VDW200/300*

## Standard Specifications



Valve specifications	<b>Valve construction</b>		Direct operated poppet
	<b>Fluid</b> <sup>Note 2)</sup>		Water (except waste water or agricultural water), Air, Low vacuum
	<b>Withstand pressure (MPa)</b>		2.0
	<b>Ambient temperature (°C)</b>		-10 to 50
	<b>Fluid temperature (°C)</b>		1 to 50 (No freezing)
	<b>Environment</b>		Location without corrosive or explosive gases
	<b>Valve leakage (cm<sup>3</sup>/min)</b>		0 (with water pressure) 1 (Air)
	<b>Mounting orientation</b>		Unrestricted
	<b>Vibration/Impact (m/s<sup>2</sup>)</b> <sup>Note 4)</sup>		30/150
Coil specifications	<b>Rated voltage</b>		24 VDC, 12 VDC, 100 VAC, 110 VAC, 200 VAC, 220 VAC (50/60 Hz)
	<b>Allowable voltage fluctuation (%)</b>		±10% of rated voltage
	<b>Coil insulation type</b>		Class B
	<b>Enclosure</b>	<b>Grommet / Tape winding</b>	Dust-proof (equivalent to IP40)
		<b>Faston terminal / Molded</b>	Dust-tight (equivalent to IP60) <sup>Note 5)</sup>
		<b>Grommet / Molded</b>	Dust-tight / Low jetproof (equivalent to IP65)
<b>Power consumption (W)</b> <sup>Note 3)</sup>		3	



Note 1) Please consult with SMC when used under conditions which may cause condensation on the exterior of the product.

Note 2) When used with deionized water, select "L" (Stainless steel, FKM) for the material type.

Note 3) Since the AC coil specification includes a rectifier element, there is no difference in power consumption between inrush and holding.  
**3.5 W in the case of 110/220 VAC**

Note 4) Vibration resistance ..... No malfunction when tested with one sweep of 5 to 200 Hz in the axial direction and at a right angle to the armature, in both energized and deenergized states.

Impact resistance ..... No malfunction when tested with a drop tester in the axial direction and at a right angle to the armature, one time each in energized and deenergized states.

Note 5) Since electrical connections are exposed, there is no water resistance.



**Made to Order**

(For details, refer to page 259.)

Symbol	Specifications
<b>X22</b>	Non-leak (10 <sup>-6</sup> Pa·m <sup>3</sup> /sec) / Vacuum (0.1Pa-abs) specification
<b>X23</b>	Oil-free specification
<b>X60</b>	Lead wire length: 600 mm specification
<b>X133</b>	Seal material: Kalrez <sup>®</sup> specification <sup>Note)</sup>

Note) Kalrez<sup>®</sup> is a registered trademark of DuPont Dow Elastomers.

## Characteristic Specifications

Model	Port size	Orifice dia. (mm ø)	Max. operating pressure differential (MPa) <sup>Note 2)</sup>		Operating pressure range (MPa) <sup>Note 3)</sup>	Mass (kg)
			Pressure port 1	Pressure port 2, 3 <sup>Note 1)</sup>		
<b>VDW200</b>	M5 1/8 (6A)	1	0.9	0.3	0 to 1.0	0.12
		1.6	0.7	0.1		
<b>VDW300</b>	1/8 (6A) 1/4 (8A)	2	0.8	0.2		1/8: 0.27 1/4: 0.30
		3	0.4	0.1		
		4	0.2	0.05		



Note 1) Indicates the maximum operating pressure differential of pressure ports 2 and 3.

Note 2) The maximum operating pressure differential changes depending on the flow direction of the fluid. Refer to page 264 for details.

Note 3) For low vacuum specifications, the operating pressure range is 1 Torr (1.33 x 10<sup>2</sup> Pa) to 1.0 MPa.

Please consult with SMC if using below 1 Torr (1.33 x 10<sup>2</sup> Pa).

## Flow Characteristics

Model	Port size	Orifice dia. (mm ø)		Water				Air					
				1→2 (IN→N.C.)		1→3 (IN→N.O.)		1→2 (IN→N.C.)			1→3 (IN→N.O.)		
		N.C.	N.O.	Av x 10 <sup>-6</sup> m <sup>2</sup>	Cv converted	Av x 10 <sup>-6</sup> m <sup>2</sup>	Cv converted	C [dm <sup>3</sup> /(s·bar)]	b	Cv	C [dm <sup>3</sup> /(s·bar)]	b	Cv
<b>VDW200</b>	M5 1/8 (6A)	1	1	0.72	0.03	0.96	0.04	0.12	0.35	0.03	0.13	0.52	0.04
		1.6		1.9	0.08			0.31	0.45	0.09			
<b>VDW300</b>	1/8 (6A) 1/4 (8A)	2	1.8	3.8	0.16	3.1	0.13	0.52	0.52	0.16	0.38	0.50	0.12
		3		6.7	0.28			1.0	0.52	0.30			
		4		11	0.44			1.5	0.49	0.46			

VX2

VXD

VXZ

VXE

VXP

VXR

VXH

VXF

VX3

VXA

VCH□

VDW

VQ

LVM

VCA

VCB

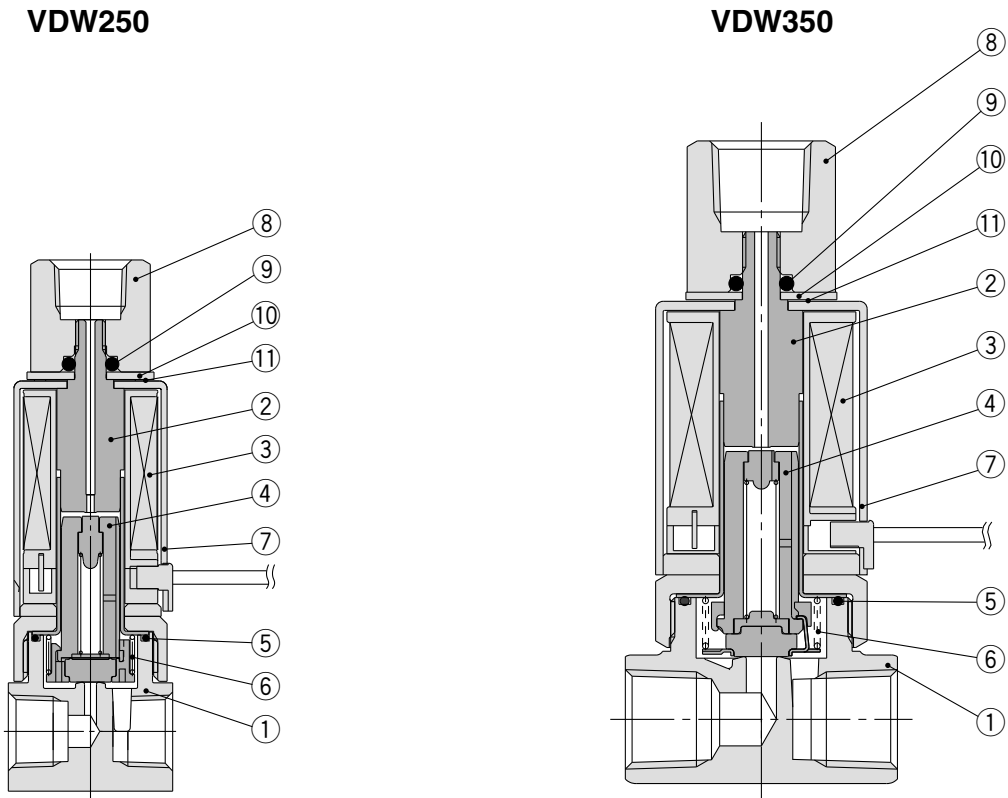
VCL

VCS

VCW

# Series VDW200/300

## Construction



### Component Parts

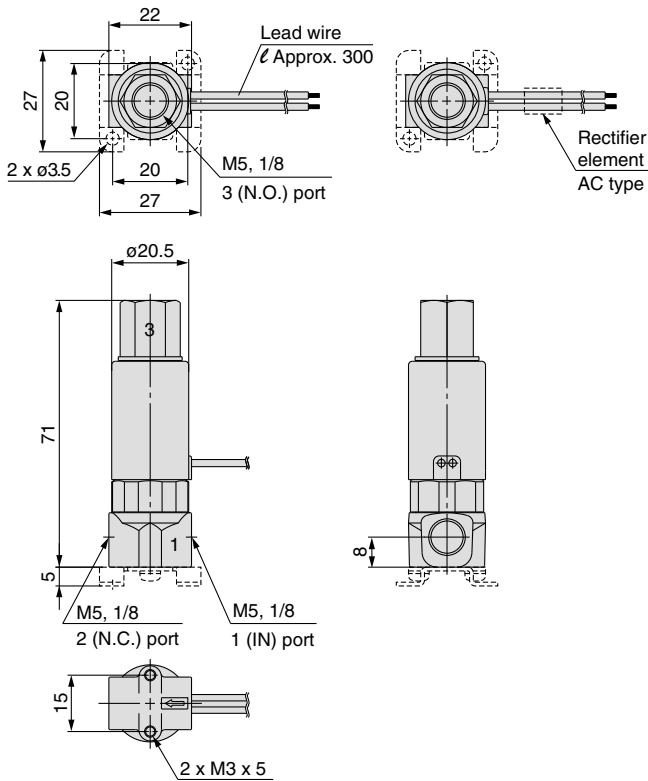
No.	Description	Material	
		Standard	Option
1	<b>Body</b>	Brass (C37)	Stainless steel
2	<b>Tube assembly</b>	Stainless steel	—
3	<b>Coil assembly</b>	—	—
4	<b>Armature assembly</b>	Stainless steel, PPS, NBR	Stainless steel, PPS, FKM, EPDM
5	<b>O-ring (Body)</b>	NBR	FKM, EPDM
6	<b>Return spring</b>	Stainless steel	—
7	<b>Cover</b>	SPCE	—
8	<b>Socket</b>	C36	Stainless steel
9	<b>O-ring</b>	NBR	FKM, EPDM
10	<b>Plate</b>	SPCC	—
11	<b>Wave washer</b>	Stainless steel	—



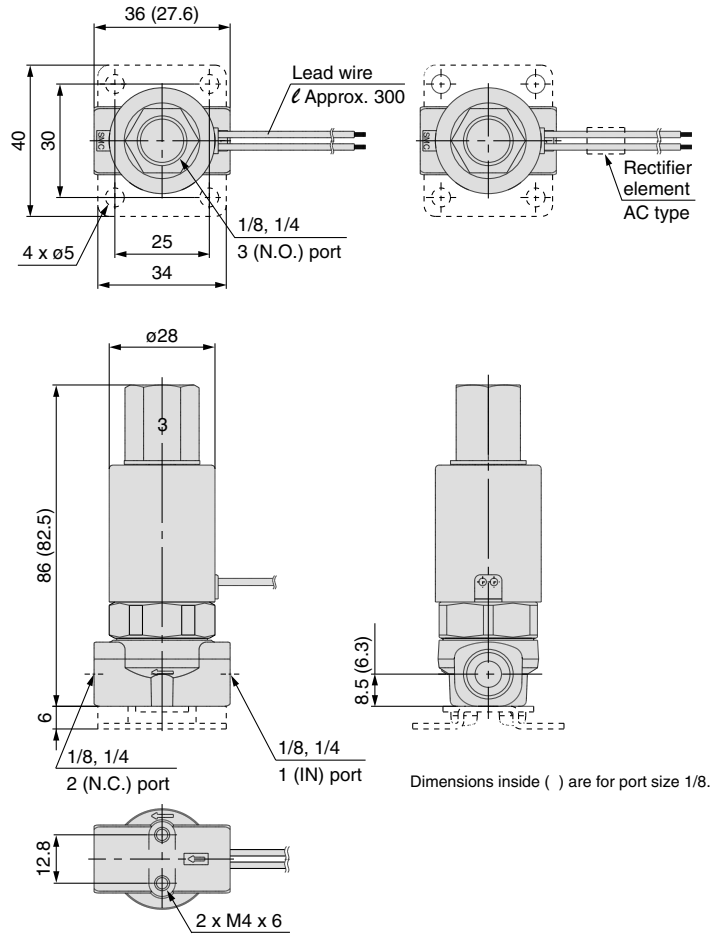
**Compact Direct Operated  
3 Port Solenoid Valve for Water and Air Series VDW200/300**

**Dimensions**

**VDW250-□<sup>G</sup><sub>W</sub>**



**VDW350-□<sup>G</sup><sub>W</sub>**



**Bracket assembly part no.**

- Series 200

**VDW20-15A-1**

- Series 300

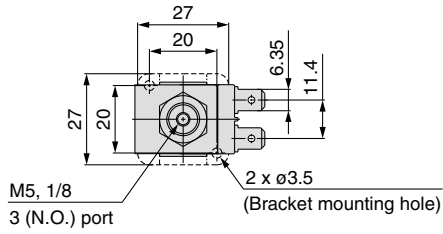
**VCW20-12-01A**

VX2
VXD
VXZ
VXE
VXP
VXR
VXH
VXF
VX3
VXA
VCH□
<b>VDW</b>
VQ
LVM
VCA
VCB
VCL
VCS
VCW

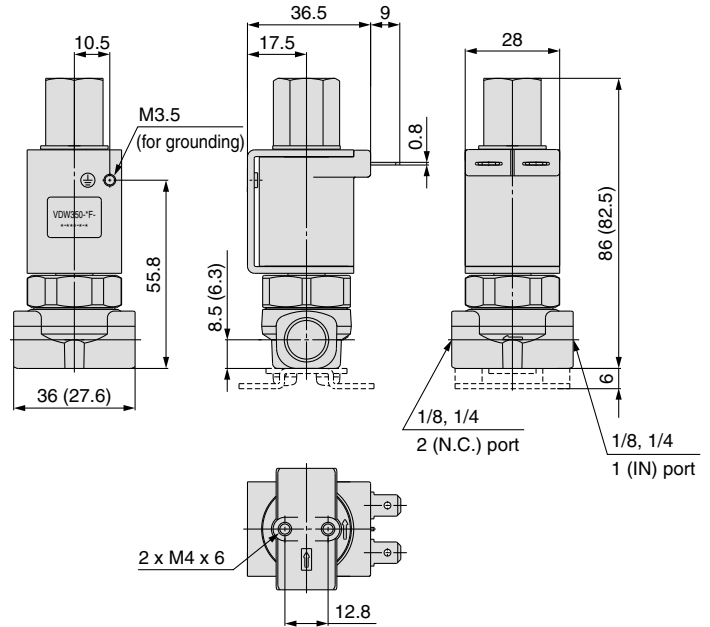
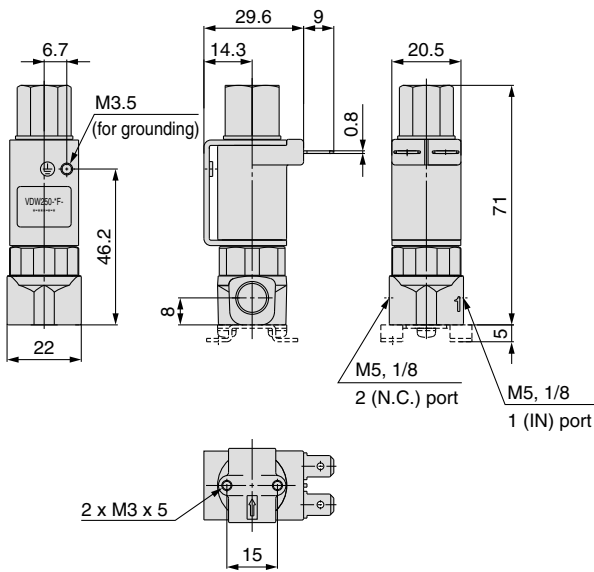
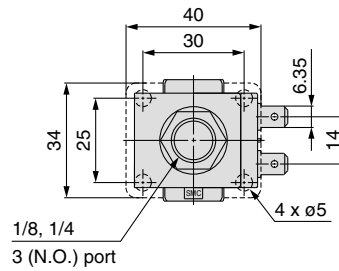
# Series VDW200/300

## Dimensions

### VDW250-□F



### VDW350-□F



### Bracket assembly part no.

- Series 200

**VDW20-15A-1**

- Series 300

**VCW20-12-01A**

# Series VDW

## Made to Order Specifications:

Please consult with SMC for detailed size, specifications and delivery.



**1** Non-leak ( $10^{-6}$  Pa·m<sup>3</sup>/sec) / Vacuum (0.1 Pa·abs) Specification **Symbol X22**

VDW  — X22

**3** Lead Wire Length: 600 mm Specification **Symbol X60**

VDW  — X60

**2** Oil-free Specification **Symbol X23**

VDW  — X23

**4** Seal Material: Kalrez<sup>®</sup> Specification **Symbol X133**

VDW  — X133

VX2

VXD

VXZ

VXE

VXP

VXR

VXH

VXF

VX3

VXA

VCH□

**VDW**

VQ

LVM

VCA

VCB

VCL

VCS

VCW



## Series VDW

# Specific Product Precautions 1

Be sure to read this before handling.

Refer to front matters 42 and 43 for Safety Instructions, and pages 17 to 19 for 2 Port Solenoid Valves for Fluid Control Precautions.

### Design

## Warning

### 1. Cannot be used as an emergency shutoff valve, etc.

The valves presented in this catalog are not designed for safety applications such as an emergency shutoff valve. If the valves are used in this type of system, other reliable safety assurance measures should also be adopted.

### 2. Extended periods of continuous energization

Please consult with SMC when using with energization for long periods of time.

### 3. Liquid rings

In cases with a flowing liquid, provide a by-pass valve in the system to prevent the liquid from entering the liquid seal circuit.

### 4. This solenoid valve cannot be used for explosion proof applications.

### 5. Maintenance space

The installation should allow sufficient space for maintenance activities (removal of valve, etc.).

### Selection

## Warning

### 1. Confirm the specifications.

Give careful consideration to the operating conditions such as the application, fluid and environment, and use within the operating ranges specified in this catalog.

### 2. Fluid temperature

Please use within the operating fluid temperature range.

### 3. Fluid quality

#### In the case of water

The use of a fluid which contains foreign matter can cause problems such as malfunction and seal failure by promoting wear of the valve seat and armature, and by sticking to the sliding parts of the armature, etc. Install a suitable filter (strainer) immediately upstream from the valve. In general, a mesh of about 80 to 100 is a guideline for the filter.

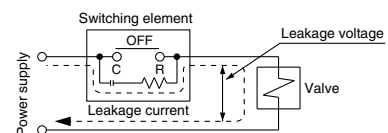
#### In the case of air

Please use ordinary compressed air where a filter of 40  $\mu\text{m}$  or less is provided on the inlet side piping. (Except dry air)

## Caution

### 1. Leakage voltage

Particularly when using a resistor in parallel with a switching element and using a C-R element (surge voltage suppressor) to protect the switching element, take note that leakage current will flow through the resistor, C-R element, etc., creating a possible danger that the valve may not turn off.



#### AC coil

10% or less of rated voltage

#### DC coil

2% or less of rated voltage

### 2. Low temperature operation

- 1) The valves can be used up to an ambient temperature of  $-10^{\circ}\text{C}$ , however take measures to prevent solidification of impurities or freezing etc.
- 2) When using valves for water application in cold climates, first stop the water supply/discharge of the pump etc., and then take measures to prevent freezing such as draining water in pipe. When heating by steam, be careful not to expose the coil portion to steam. Also, please take measures to prevent freezing such as heating the body.



# Series VDW

## Specific Product Precautions 2

Be sure to read this before handling.

Refer to front matters 42 and 43 for Safety Instructions, and pages 17 to 19 for 2 Port Solenoid Valves for Fluid Control Precautions.

### Mounting

#### Warning

**1. If air leakage increases or equipment does not operate properly, stop operation.**

After mounting is completed, confirm that it has been done correctly by performing a suitable function test.

**2. Do not apply external force to the coil section.**

When tightening is performed, apply a wrench or other tool to the outside of the piping connection parts.

**3. Do not warm the coil assembly with a heat insulator, etc.**

Use tape, heaters, etc., for freeze prevention on the piping and body only. They can cause the coil to burn out.

**4. Secure with brackets, except in the case of steel piping and copper fittings.**

**5. Avoid sources of vibration, or adjust the arm from the body to the minimum length so that resonance will not occur.**

**6. Instruction manual**

The product should be mounted and operated after the instruction manual is thoroughly read and its contents are understood. Keep the instruction manual where it can be referred to as needed.

**7. Painting and coating**

Warnings or specifications printed or labeled on the product should not be erased, removed or covered up.

### Piping

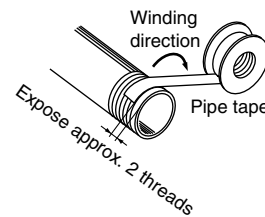
#### Caution

**1. Preparation before piping**

Before piping is connected, it should be thoroughly blown out with air (flushing) or washed to remove chips, cutting oil and other debris from inside the pipe.

**2. Wrapping of pipe tape**

When connecting pipes, fittings, etc., be sure that chips from the pipe threads and sealing material do not enter the valve. Furthermore, when pipe tape is used, leave 1.5 to 2 thread ridges exposed at the end of the threads.



**3. Avoid connecting ground lines to piping, as this may cause electric corrosion of the system.**

**4. Always tighten threads with the proper tightening torque.**

When attaching fittings to valves, tighten with the proper tightening torque shown below.

#### Tightening Torque for Piping

Connection threads	Proper tightening torque N·m (kgf·cm)
M5	1.5 to 2 (15 to 20)
Rc 1/8	7 to 9 (70 to 90)
Rc 1/4	12 to 14 (120 to 140)
Rc 3/8	22 to 24 (220 to 240)

\* Reference

Tightening of M5 fitting threads

After tightening by hand, tighten approximately 1/6 turn further with a tightening tool. However, when using miniature fittings, tighten an additional 1/4 turn after tightening by hand. (In cases where there are gaskets in two places, such as a universal elbow or universal tee, double the additional tightening to 1/2 turn.)

**5. Connection of piping to products**

- When connecting piping to a product, refer to its instruction manual to avoid mistakes regarding the supply port, etc.
- Do not apply external force to the coil when holding it to connect piping, as the tube may deform.

VX2

VXD

VXZ

VXE

VXP

VXR

VXH

VXF

VX3

VXA

VCH□

VDW

VQ

LVM

VCA

VCB

VCL

VCS

VCW



# Series VDW

## Specific Product Precautions 3

Be sure to read this before handling.

Refer to front matters 42 and 43 for Safety Instructions, and pages 17 to 19 for 2 Port Solenoid Valves for Fluid Control Precautions.

### Wiring

#### ⚠ Caution

1. As a rule, use electrical wire with a cross sectional area of 0.5 to 1.25 mm<sup>2</sup> for wiring.

Furthermore, do not allow excessive force to be applied to the lines.

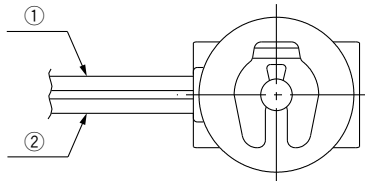
2. Use electrical circuits which do not generate chattering in their contacts.

3. Use voltage which is within  $\pm 10\%$  of the rated voltage.

In cases with a DC power supply where importance is placed on responsiveness, stay within  $\pm 5\%$  of the rated value. The voltage drop is the value in the lead wire section connecting the coil.

### Electrical Connections

#### ⚠ Caution



Rated voltage	Lead wire color	
	1	2
DC	Black	Red
100 VAC	Blue	Blue
200 VAC	Red	Red
Other AC	Gray	Gray

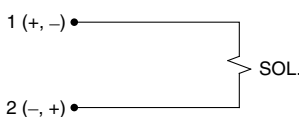
\* There is no polarity for DC.

\* Lead wire: AWG20, outside diameter of insulator 1.79

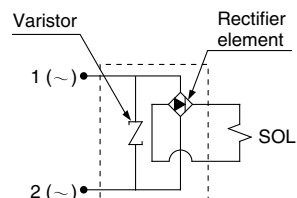
### Electrical Circuit

#### ⚠ Caution

DC circuit



AC circuit



### Operating Environment

#### ⚠ Warning

1. Do not use the valves in an atmosphere having corrosive gases, chemicals, salt water, water, steam, or where there is direct contact with any of these.
2. Do not use in explosive atmospheres.
3. Do not use in locations subject to vibration or impact.
4. Do not use in locations where radiated heat will be received from nearby heat sources.
5. Employ suitable protective measures in locations where there is contact with water droplets, oil or welding spatter, etc.

### Maintenance

#### ⚠ Warning

1. Perform maintenance according to the procedure in the instruction manual.  
Incorrect handling will cause damage or malfunction to devices or equipment.
2. Removing the product
  - 1) Shut off the fluid supply and release the fluid pressure in the system.
  - 2) Shut off the power supply.
  - 3) Dismount the product.
3. Low frequency operation  
Switch valves at least once every 30 days to prevent malfunction. Also, in order to use it under the optimum state, conduct a regular inspection once a half year.

#### ⚠ Caution

1. Filters and strainers
  - 1) Be careful regarding clogging of filters and strainers.
  - 2) Replace filter elements after one year of use, or earlier if the pressure drop reaches 0.1 MPa.
  - 3) Clean strainers when the pressure drop reaches 0.1 MPa.
  - 4) Exhaust the drain from an air filter periodically.

2. Storage

When not using for a long time (more than approx. one month) after use with water, thoroughly remove all moisture to prevent rust and deterioration of rubber materials, etc.



# Series VDW

## Specific Product Precautions 4

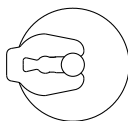
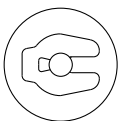
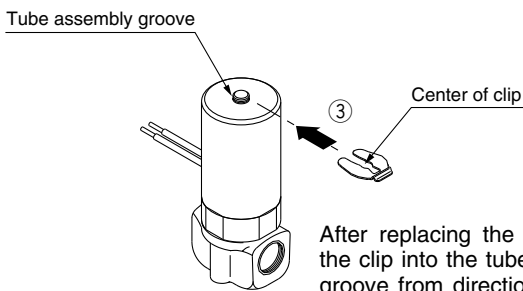
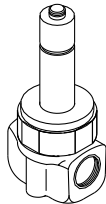
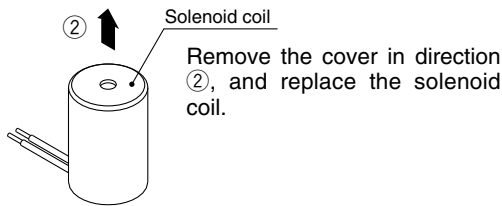
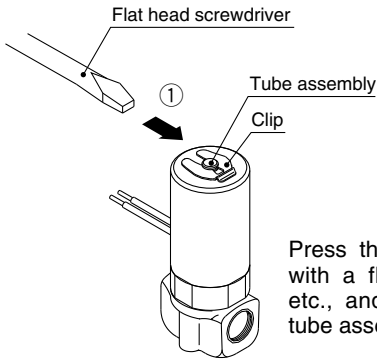
Be sure to read this before handling.

Refer to front matters 42 and 43 for Safety Instructions, and pages 17 to 19 for 2 Port Solenoid Valves for Fluid Control Precautions.

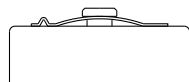
### Replacing the Solenoid Coils

#### Caution

2 port valve

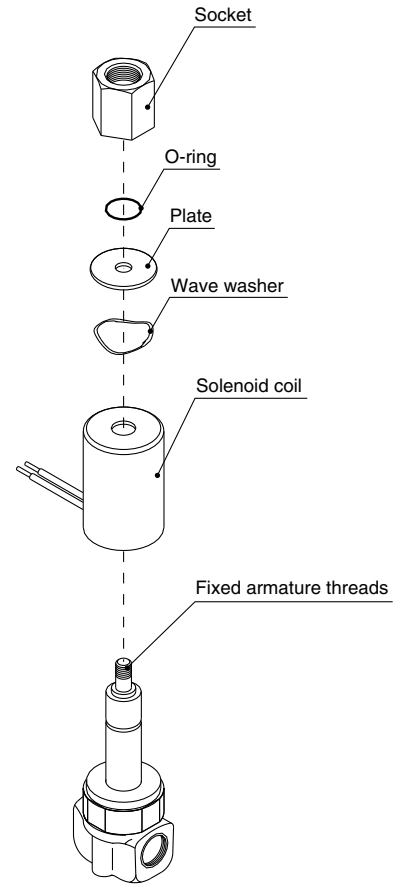


Inserted position



Inserted condition

3 port valve



After removing the socket with a wrench, etc., lift off the plate, wave washer and cover, and replace the coil assembly. After replacing the coil, first tighten the socket by hand while holding down the plate and wave washer, and then tighten it further with a torque of 0.8 to 1 N·m.

\* Precautions when attaching and removing the socket

- Be careful that the O-ring installed on the bottom (plate side) of the socket does not fall out or become chewed up, etc.
- Be sure to secure the body by wrench, etc., and tighten the socket within the tightening torque range given above. If the torque is applied excessively, there is a danger of damaging the threads.

VX2

VXD

VXZ

VXE

VXP

VXR

VXH

VXF

VX3

VXA

VCH□

VDW

VQ

LVM

VCA

VCB

VCL

VCS

VCW



# Series VDW

## Specific Product Precautions 5

Be sure to read this before handling.

Refer to front matters 42 and 43 for Safety Instructions, and pages 17 to 19 for 2 Port Solenoid Valves for Fluid Control Precautions.

### Replacement Parts

• Solenoid coil part no.

VDW **2** 0-1 **C** **1** - **1** -   

• Series

1	10
2	20, 200
3	30, 300

• Coil type

C	Grommet / Tape winding
F	Faston terminal / Molded
W	Grommet / Molded

• Type

1	10, 20, 30
2	200, 300

• Lead wire length

Nil	300 mm
L1 <small>Note)</small>	600 mm

Note) Type L1 is optional.

• Voltage

1	100 VAC
2	200 VAC
3	110 VAC
4	220 VAC
5	24 VDC
6	12 VDC
V	6 VDC
S	5 VDC
R	3 VDC

### Coil Type and Voltage Combinations

Voltage	Grommet / Tape winding	Faston terminal / Molded	Grommet / Molded
100 VAC	●	—	●
200 VAC	●	—	●
110 VAC	●	—	●
220 VAC	●	—	●
24 VDC	●	●	●
12 VDC	●	●	●
6 VDC	●	●	●
5 VDC	●	●	●
3 VDC	●	●	●

Note) To have a label on the cover, enter the part number below together with the coil part number.

**AZ-T-VDW** Valve model no. on page 243, 248, 254

• Clip part no. (2 port)

VDW **2** 0-10

• Series

2	10, 20
3	30

• Socket assembly part no. (3 port)

VDW **2** 0-12A-**01**    -   

• Series

2	200
3	300

• Port size

Symbol	Port size	Series	
		200	300
M5	M5	○	—
01	1/8 (6A)	○	○
02	1/4 (8A)	—	○

• Material

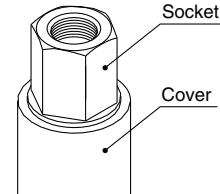
Symbol	Socket material	Seal material
Nil	Brass (C37)	NBR
A		FKM
B		EPDM
G	Stainless steel	NBR
H		FKM
J		EPDM
L		FKM

• Thread type

Nil	Rc
F	G
N	NPT

### Piping to 3 Port Valve N.O. Port

**Caution**

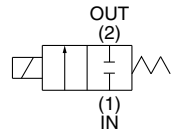


When piping to an N.O. port, be sure to perform piping work while securing the socket by using wrench or other tool. Refer to back page 261 for other precautions related to piping.

### Fluid Flow Direction

**Caution**

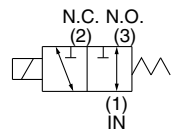
The maximum operating pressure differential differs depending on the flow direction of the fluid. If the pressure differential at each port exceeds the values in the table below, valve leakage may occur.



### 2 Port Valve

Model	Orifice diameter (mm ø)	Max. operating pressure differential (MPa)	
		Pressure port 1	Pressure port 2 <small>Note)</small>
VDW10	1	0.9	0.4
	1.6	0.4	0.2
VDW20	1.6	0.7	0.2
	3.2	0.2	0.05
VDW30	2	0.8	0.2
	3	0.4	0.1
	4	0.2	0.05

Note) When applying pressure from port 2, be careful to avoid vibration and impacts, etc.



### 3 Port Valve

Model	Orifice diameter (mm ø)	Max. operating pressure differential (MPa)	
		Pressure port 1	Pressure port 2, 3 <small>Note 1)</small>
VDW200	1	0.9	0.3
	1.6	0.7	0.1
VDW300	2	0.8	0.2
	3	0.4	0.1
	4	0.2	0.05

Note 1) Indicates the maximum operating pressure differential of pressure ports 2 and 3.

Note 2) When the port 2 pressure is in the higher pressure side, be careful to avoid vibration and impacts, etc.





# Series VDW

## Specific Product Precautions 6

Be sure to read this before handling.

Refer to front matters 42 and 43 for Safety Instructions, and pages 17 to 19 for 2 Port Solenoid Valves for Fluid Control Precautions.

### Glossary

#### Pressure

##### 1. Maximum operating pressure differential

This indicates the maximum pressure differential (inlet and outlet pressure differential) which can be allowed for operation with the valve closed or open. When the outlet pressure is 0 MPa, this becomes the maximum operating pressure.

##### 2. Maximum operating pressure

This indicates the limit of pressure that can be applied inside the pipelines. (Line pressure)  
(The pressure differential of the solenoid valve unit must be no more than the maximum operating pressure differential.)

##### 3. Withstand pressure

The pressure which must be withstood without a drop in performance after returning to the operating pressure range (The value under the prescribed conditions).

#### Electricity

##### 1. Surge voltage

A high voltage which is momentarily generated in the shut-off unit by shutting off the power.

#### Other

##### 1. Material

- NBR: Nitrile rubber
- FKM: Fluoro rubber = FPM — Trade name: Viton®, DAI-EL™, etc.
- EPDM: Ethylene propylene rubber = EPR
- C37: Brass
- SUS: Stainless steel

#### Faston Terminal

1. Faston™ is a trademark of Tyco Electronics Corp.
2. For electrical connection of the Faston terminal and molded coil, please use Tyco's "Amp/Faston connector/250 Series" or the equivalent.
3. When providing a body ground, please use the frame ground (M3.5).

(Recommended fastening bolt: M3.5, length 5 mm)

VX2

VXD

VXZ

VXE

VXP

VXR

VXH

VXF

VX3

VXA

VCH□

VDW

VQ

LVM

VCA

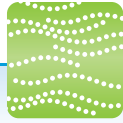
VCB

VCL

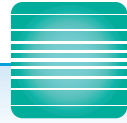
VCS

VCW

# Compact Direct Operated 2 Port Solenoid Valve New



Air



Medium vacuum



Water

Body material  
**Aluminum • Resin(PPS)**

**Lightweight**

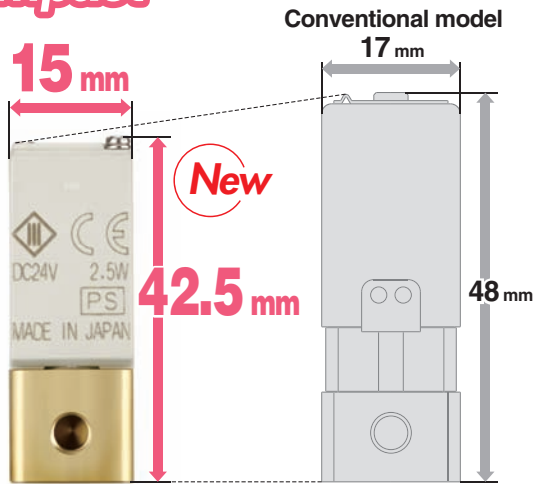
**2.8<sub>oz</sub>** ← **3.5<sub>oz</sub>**

New

Aluminum/Resin(PPS) body  
(Size 2)

Conventional C37 body  
(Size 2)

**Compact**



(Compared with Size 1, C37/Stainless steel body)



Aluminum body

One-touch fitting  
ø3.2, ø4, ø6

Resin body

Body material  
**C37(Brass) • Stainless Steel**



Medium vacuum



Water



C37 body

Stainless steel body

**Environmental performance** **IP65**

**Power consumption** **2.5 w** **3 w**

(Size 1)

(Size 2)

**Series VDW**



CAT.NAS70-49A

# Compact Direct Operated 2 Port Solenoid Valve

Series **VDW**



Air Medium vacuum Water

Enclosure  
IP65

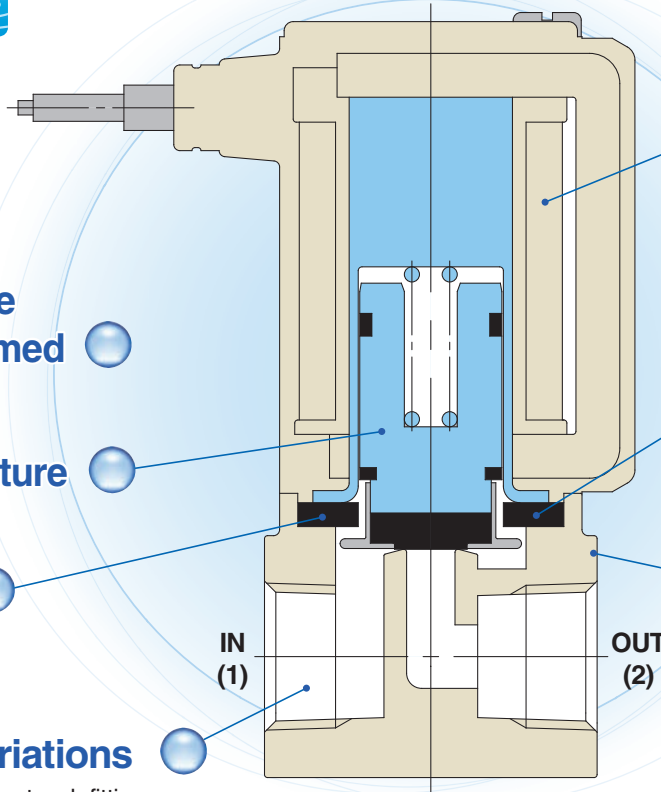
Flame resistance  
UL94V-0 conformed

Improved armature  
durability

Low-noise  
construction  
Metal noise reduced  
by the rubber damper

Piping variations

Screw piping, One-touch fitting



Power  
consumption

**2.5 W** (Size 1)  
**3 W** (Size 2)

Seal material

NBR (Air, Water)  
FKM (Medium vacuum)

Body material

**Air · Water**  
Aluminum, Resin(PPS)  
**Water · Medium vacuum**  
C37(Brass), Stainless steel

Body material	Fluid			Size	Orifice diameter				Port size				Other special options	
	Air	Medium vacuum	Water		1	1.6	2.3	3.2	M5	1/8	ø3.2	ø4		ø6
Aluminum	(NBR)			Size 2	—	●	●	●	●	●				· Special voltage 48 VAC 220 VAC 240 VAC 12 VDC · G thread, NPT thread · Oil-free <sup>Note 1)</sup> · Low concentration ozone resistant (Seal material: FKM) <sup>Note 2)</sup>
Resin(PPS)	(NBR)		(NBR)	Size 1	●	●	—	—	●		●	●		
				Size 2	—	●	●	●	●		●	●		
C37/ Stainless steel		(FKM)	(NBR)	Size 1	●	●	—	—	●					
				Size 2	—	●	●	●	●	●				

The materials in ( ) are the seal materials.

Note 1) As standard for medium vacuum type.

Note 2) Only for air.

## Direct Operated 2 Port Solenoid Valve

Series **VX21/22/23**



■ Applicable fluid: Air, Medium vacuum, Water, Oil

■ Body material: Aluminum, C37, Stainless steel, Resin CAT.NAS70-44



Valve type	Port size	Orifice diameter (mmø)
N.C.	1/8 to 1/2 One-touch fitting: ø6 to ø12	2, 3, 4, 5, 7, 8, 10

# Compact Direct Operated 2 Port Solenoid Valve

## Series VDW

For Air • Medium Vacuum • Water

### Standard Specifications

Valve specifications	Valve construction		Direct operated poppet
	Withstand pressure		290 psi (2.0 MPa) (resin body type 218 psi (1.5 MPa))
	Max. system pressure		145 psi (1.0 MPa)
	Body material		Aluminum, Resin, C37(Brass), Stainless steel
	Seal material		NBR, FKM
	Enclosure		Dusttight, Low jetproof (IP65)
	Environment		Location without corrosive or explosive gases
Coil specifications	Rated voltage	AC	100 VAC, 200 VAC, 110 VAC, 230 VAC, (220 VAC, 240 VAC, 48 VAC) <sup>Note)</sup>
		DC	24 VDC, (12 VDC) <sup>Note)</sup>
	Allowable voltage fluctuation		±10% of rated voltage
	Allowable leakage voltage	AC (With a full wave rectifier)	10% or less of rated voltage
		DC	2% or less of rated voltage
Coil insulation type		Class B	

Note) Voltage in ( ) indicates special voltage. (Refer to page 8.)

⚠ Be sure to read "Specific Product Precautions" before handling.

### Solenoid Coil Specifications

#### Normally Closed (N.C.)

##### DC Specification

Size	Power consumption (W) <sup>Note 1)</sup>	Temperature rise <sup>Note 2)</sup>
Size 1	2.5	140°F (60°C)
Size 2	3	140°F (60°C)

Note 1) Power consumption, Apparent power: The value at ambient temperature of 68°F (20°C) and when the rated voltage is applied. (Variation: ±10%)

Note 2) The value at ambient temperature of 68°F (20°C) and when the rated voltage is applied. The value depends on the ambient environment. This is for reference.

##### AC Specification (With a full wave rectifier)

Size	Apparent power (VA) <sup>Note 1) 2)</sup>	Temperature rise <sup>Note 3)</sup>
Size 1	2.5	140°F (60°C)
Size 2	3	140°F (60°C)

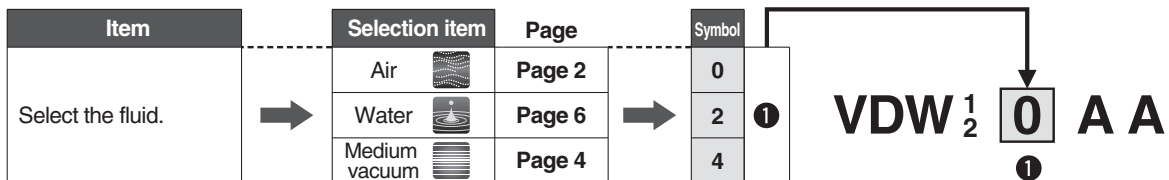
Note 1) Power consumption, Apparent power: The value at ambient temperature of 68°F (20°C) and when the rated voltage is applied. (Variation: ±10%)

Note 2) There is no difference in the frequency and the inrush and energized apparent power, since a rectifying circuit is used in the AC (with a full wave rectifier).

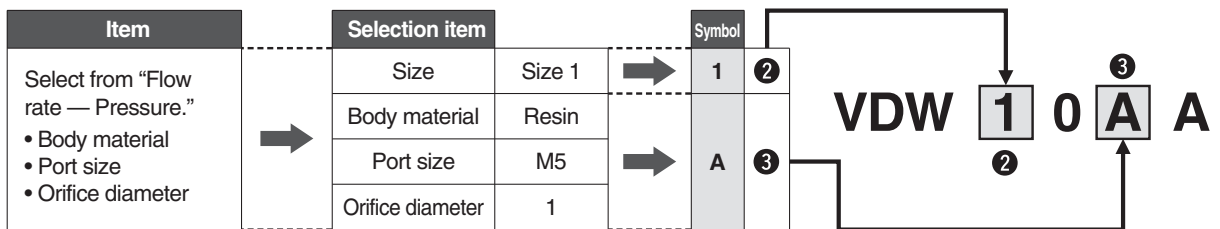
Note 3) The value at ambient temperature of 68°F (20°C) and when the rated voltage is applied. The value depends on the ambient environment. This is for reference.

### Selection Steps

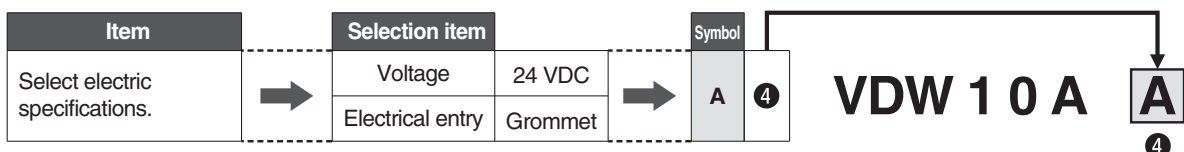
#### Step 1 Select the fluid.



#### Step 2 Select "Body material", "Port size" and "Orifice diameter" from "Flow rate — Pressure" of each fluid.



#### Step 3 Select electric specifications.



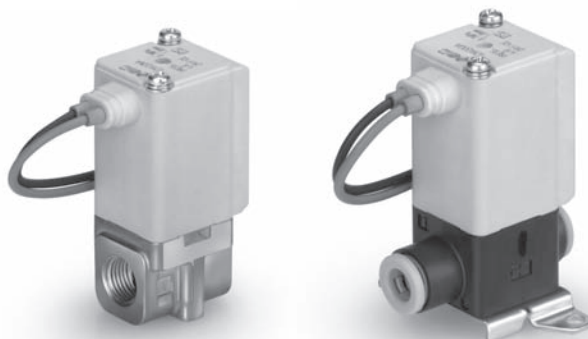
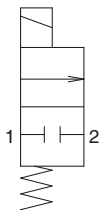
#### Step 4 For other special options, refer to page 8.



### Model/Valve Specifications

N.C.

#### Configuration symbol



Note) The configuration symbol shows ports 1 and 2 as blocked, but there is actually a limit to the blocking capability when the pressure of port 2 is greater than the pressure of port 1. Please contact SMC when low leakage performance is required.

#### Normally Closed (N.C.)

##### Aluminum Body Type

Size	Port size	Orifice diameter (mmø)	Model	Flow-rate characteristics			Maximum operating pressure differential psi (MPa)	Weight
				C [dm <sup>3</sup> /(s·bar)]	b	Cv	Pressurized port 1	
2	M5, 1/8	1.6	VDW20	0.30	0.45	0.07	102 (0.7)	2.8 oz (80g)
		2.3		0.58	0.45	0.18	58 (0.4)	
		3.2		1.10	0.38	0.30	29 (0.2)	

##### Resin Body Type (Built-in One-touch Fittings)

Size	Port size	Orifice diameter (mmø)	Model	Flow-rate characteristics			Maximum operating pressure differential psi (MPa)	Weight
				C [dm <sup>3</sup> /(s·bar)]	b	Cv	Pressurized port 1	
1	M5 ø3.2 One-touch fitting ø4 One-touch fitting	1.0	VDW10	0.14	0.40	0.04	131 (0.9)	1.6 oz (45g)
		1.6		0.30	0.25	0.07	58 (0.4)	
2	M5 ø4 One-touch fitting ø6 One-touch fitting	1.6	VDW20	0.30	0.45	0.07	102 (0.7)	2.8 oz. (80g)
		2.3		0.58	0.45	0.18	58 (0.4)	
		3.2		1.10	0.38	0.30	29 (0.2)	

Refer to "Glossary of Terms" on page 12 for details on the maximum operating pressure differential.

#### Fluid and Ambient Temperature

Fluid temperature °F (°C)	Ambient temperature °F (°C)
14 to 122 (-10 Note) to 50)	14 to 122 (-10 to 50)

Note) Dew point temperature: 14°F (-10°C) or less

#### Valve Leakage

##### Internal Leakage

Seal material	Leakage rate (Air) Note)
NBR	1 cm <sup>3</sup> /min or less (Aluminum body type)
	15 cm <sup>3</sup> /min or less (Resin body type)

##### External Leakage

Seal material	Leakage rate (Air) Note)
NBR	1 cm <sup>3</sup> /min or less (Aluminum body type)
	15 cm <sup>3</sup> /min or less (Resin body type)

Note) Leakage is the value at ambient temperature 68°F (20°C).

# Compact Direct Operated 2 Port Solenoid Valve **Series VDW**



**For Air Single Unit**



## How to Order (Single Unit)

**VDW 1 0 A A**

Fluid

0 For air

### Common Specifications

Valve type	N.C.
Seal material	NBR
Coil insulation type	Class B
Thread type	Rc

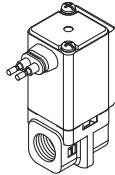
### Size/Valve type

Symbol	Size	Valve type
1	Size 1	Single unit N.C.

### Body material/Port size/Orifice diameter

Symbol	Body material	Port size	Orifice diameter
A	Resin (PPS)	M5	1.0
B			1.6
C		ø3.2 One-touch fitting	1.0
D			1.6
E		ø4 One-touch fitting	1.0
F			1.6

### Voltage/Electrical entry

Symbol	Voltage	Electrical entry
A	24 VDC	Grommet 
B	100 VAC	
C	110 VAC	
D	200 VAC	
E	230 VAC	
Z	Other voltages	

Symbol	Size	Valve type
2	Size 2	Single unit N.C.

Symbol	Body material	Port size	Orifice diameter
A	Resin (PPS)	M5	1.6
B			2.3
C		ø4 One-touch fitting	3.2
D			1.6
E		ø6 One-touch fitting	2.3
F			3.2
G	Aluminum	M5	1.6
H			2.3
J		ø6 One-touch fitting	3.2
K			1.6
L		M5	2.3
M			3.2
N	1/8	1.6	
P		2.3	
Q		3.2	

For other special options, refer to page 8.

Special voltage	48 VAC
	220 VAC
	240 VAC
	12 VDC
Low concentration ozone resistant (Seal material: FKM)	
Oil-free	
G thread	
NPT thread	

Dimensions→Page 9 (Single unit)

Specifications

For Air

For Medium Vacuum

For Water

Construction

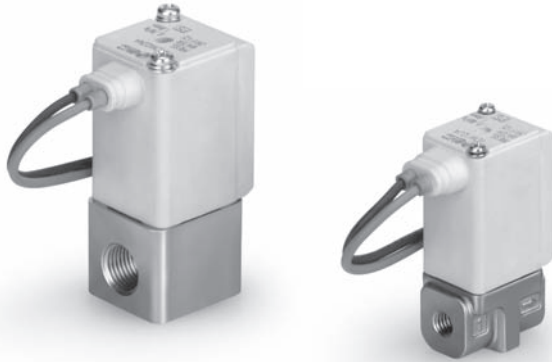
Dimensions



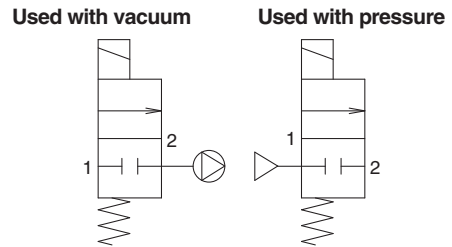


Model/Valve Specifications

N.C.



Configuration symbol (Application example)



Note) The configuration symbol shows ports 1 and 2 as blocked, but there is actually a limit to the blocking capability when the pressure of port 2 is greater than the pressure of port 1. Please contact SMC when low leakage performance is required.

Normally Closed (N.C.)

Size	Port size	Orifice diameter (mmø)	Model	Flow-rate characteristics			Maximum operating pressure differential PSI (MPa)		Weight
				C [dm <sup>3</sup> /(s·bar)]	b	Cv	Used with vacuum (Pa-abs)	Pressurized port 1	
1	M5	1.0	VDW14	0.14	0.40	0.04	0.1 to atmospheric pressure	131 (0.9)	C37: 65 Stainless steel: 2.1oz (60g)
		1.6		0.30	0.25	58 (0.4)			
2	M5, 1/8	1.6	VDW24	0.30	0.45	0.07		102 (0.7)	C37: 115 Stainless steel: 3.5oz (100g)
		2.3		0.58	0.45	0.18		58 (0.4)	
		3.2		1.10	0.38	0.30		29 (0.2)	

Fluid and Ambient Temperature

Fluid temperature °F (°C)	Ambient temperature °F (°C)
33.8 to 122 (1 to 50)	14 to 122 (-10 to 50)

Note) With no freezing

Valve Leakage

Internal Leakage

Seal material	Leakage rate <sup>Note)</sup>
FKM	10 <sup>-6</sup> Pa·m <sup>3</sup> /sec or less

External Leakage

Seal material	Leakage rate <sup>Note)</sup>
FKM	10 <sup>-6</sup> Pa·m <sup>3</sup> /sec or less

Note) Leakage (10<sup>-6</sup>Pa·m<sup>3</sup>/sec) is the value at differential pressure 14.5 psi (0.1 MPa) and ambient temperature 68°F (20°C).

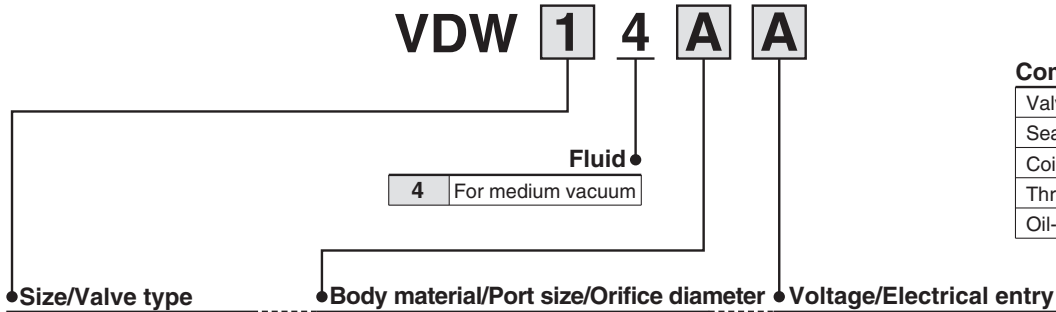
# Compact Direct Operated 2 Port Solenoid Valve *Series VDW*

**For Medium Vacuum Single Unit**



## How to Order (Single Unit)

**VDW 1 4 A A**



### Common Specifications

Valve type	N.C.
Seal material	FKM
Coil insulation type	Class B
Thread type	Rc
Oil-free	

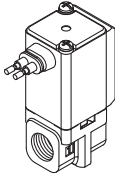
### Size/Valve type

Symbol	Size	Valve type
1	Size 1	Single unit N.C.

### Body material/Port size/Orifice diameter

Symbol	Body material	Port size	Orifice diameter
G	C37	M5	1.0
H			1.6
J			1.0
K	Stainless steel	M5	1.6

### Voltage/Electrical entry

Symbol	Voltage	Electrical entry
A	24 VDC	Grommet 
B	100 VAC	
C	110 VAC	
D	200 VAC	
E	230 VAC	
Z	Other voltages	

Symbol	Size	Valve type
2	Size 2	Single unit N.C.

Symbol	Body material	Port size	Orifice diameter
K	C37	M5	1.6
L			2.3
M			3.2
N			1.6
P			2.3
Q	3.2		
R	Stainless steel	M5	1.6
S			2.3
T			3.2
U			1.6
V			2.3
W	3.2		

For other special options, refer to page 8.

Special voltage	48 VAC
	220 VAC
	240 VAC
	12 VDC
G thread	
NPT thread	
Bracket interchangeable with old type	

Dimensions → Page 9 (Single unit)

Specifications

For Air

For Medium Vacuum

For Water

Construction

Dimensions

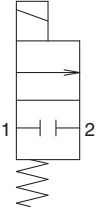




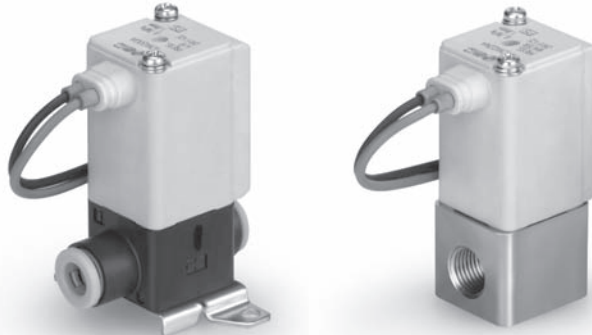
### Model/Valve Specifications

N.C.

#### Configuration symbol



Note) The configuration symbol shows ports 1 and 2 as blocked, but there is actually a limit to the blocking capability when the pressure of port 2 is greater than the pressure of port 1. Please contact SMC when low leakage performance is required.



#### Normally Closed (N.C.) C37, Stainless Steel Body Type

Size	Port size	Orifice diameter (mmø)	Model	Flow-rate characteristics		Maximum operating pressure differential psi (MPa)	Weight
				AV (x10 <sup>-6</sup> m <sup>2</sup> )	Conversion Cv	Pressurized port 1	
1	M5	1.0	VDW12	0.96	0.04	131 (0.9)	C37: 65 Stainless steel: 2.1oz (60g)
		1.6		1.70	0.07	58 (0.4)	
2	M5, 1/8	1.6	VDW22	1.70	0.07	102 (0.7)	C37: 115 Stainless steel: 3.5oz (100g)
		2.3		4.30	0.18	58 (0.4)	
		3.2		7.20	0.30	29 (0.2)	

#### Resin Body Type

Size	Port size	Orifice diameter (mmø)	Model	Flow-rate characteristics		Maximum operating pressure differential psi (MPa)	Weight
				AV	Conversion Cv	Pressurized port 1	
1	M5 ø3.2 One-touch fitting ø4 One-touch fitting	1.0	VDW12	0.96	0.04	131 (0.9)	1.6 oz (45g)
		1.6		1.70	0.07	58 (0.4)	
2	M5 ø4 One-touch fitting ø6 One-touch fitting	1.6	VDW22	1.70	0.07	102 (0.7)	2.8 oz (80g)
		2.3		4.30	0.18	58 (0.4)	
		3.2		7.20	0.30	29 (0.2)	

Refer to "Glossary of Terms" on page 12 for details on the maximum operating pressure differential.

#### Fluid and Ambient Temperature

Fluid temperature F° (°C)	Ambient temperature F° (°C)
33.8 to 122° (1 to 50)	14 122 (-10 to 50)

Note) With no freezing

#### Valve Leakage

**Internal Leakage** Note 1) Internal leakage when pressure is supplied to Port 1 (IN).

Seal material	Leakage rate (Water) Note 2)
NBR	0.1 cm <sup>3</sup> /min or less (C37, Stainless steel body type)
	1 cm <sup>3</sup> /min or less (Resin body type)

**External Leakage**

Seal material	Leakage rate (Water) Note 2)
NBR	0.1 cm <sup>3</sup> /min or less (C37, Stainless steel body type)
	1 cm <sup>3</sup> /min or less (Resin body type)

Note 2) Leakage is the value at ambient temperature 68°F (20°C).

# Compact Direct Operated 2 Port Solenoid Valve *Series VDW*



**For Water Single Unit**



**RoHS**

## How to Order (Single Unit)

**VDW 1 2 A A**

Fluid

2 For water

### Common Specifications

Valve type	N.C.
Seal material	NBR
Coil insulation type	Class B
Thread type	Rc

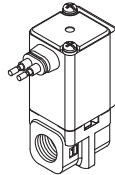
### Size/Valve type

Symbol	Size	Valve type
1	Size 1	Single unit N.C.

### Body material/Port size/Orifice diameter

Symbol	Body material	Port size	Orifice diameter
A	Resin (PPS)	M5	1.0
B			1.6
C		ø3.2 One-touch fitting	1.0
D			1.6
E		ø4 One-touch fitting	1.0
F			1.6
G	C37	M5	1.0
H			1.6
J	Stainless steel	M5	1.0
K			1.6

### Voltage/Electrical entry

Symbol	Voltage	Electrical entry
A	24 VDC	Grommet 
B	100 VAC	
C	110 VAC	
D	200 VAC	
E	230 VAC	
Z	Other voltages	

For other special options, refer to page 8.

Special voltage	48 VAC
	220 VAC
	240 VAC
	12 VDC
Oil-free	
G thread	
NPT thread	
Bracket interchangeable with old type	

Dimensions → Page 9 (Single unit)

Symbol	Size	Valve type	Symbol	Body material	Port size	Orifice diameter
2	Size 2	Single unit N.C.	A	Resin (PPS)	M5	1.6
			B			2.3
			C		ø4 One-touch fitting	3.2
			D			1.6
			E		ø6 One-touch fitting	2.3
			F			3.2
			G	C37	M5	1.6
			H			2.3
			J		1/8	3.2
			K			1.6
			L		M5	2.3
			M			3.2
			N	1/8	1.6	
			P		2.3	
			Q	Stainless steel	M5	3.2
			R			1.6
			S		1/8	2.3
			T			3.2
U	M5	1.6				
V		2.3				
W	3.2					

Specifications

For Air

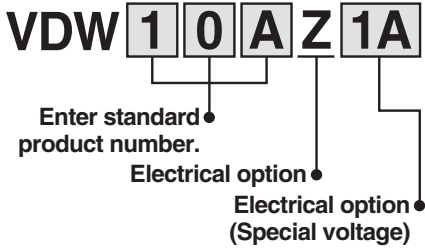
For Medium Vacuum

For Water

Dimensions Construction

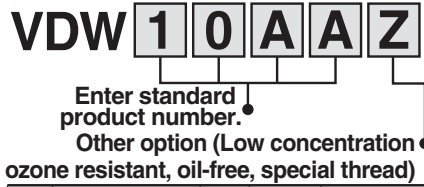
## Other Special Options

### Electrical options (Special voltage)



Specification	Symbol	Voltage	Electrical entry
Special voltage	1A	48 VAC	Grommet
	1B	220 VAC	
	1C	240 VAC	
	1D	12 VDC	

### Other options (Low concentration ozone resistant, oil-free, special thread)



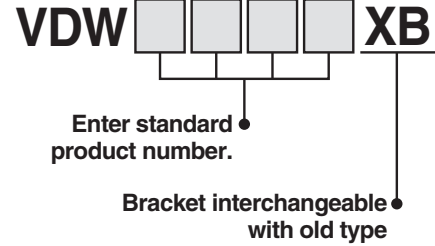
Symbol	Low concentration ozone resistant (Note) (Seal material: FKM)	Oil-free	Special thread	Note
A	—	—	G	Port size 1/8
B	—	—	NPT	
C	—	—	M6	
D	—	—	G	Port size 1/8
E	—	—	NPT	
F	—	—	M6	
G	—	—	Standard	Port size 1/8
H	○	—	G	
J	○	—	NPT	
K	○	—	M6	Port size M5
L	—	—	Standard	
M	○	—	G	
N	○	○	NPT	Port size 1/8
P	—	○	M6	
Z	—	○	Standard	

Note) Applicable to air

### Bracket interchangeable with old type

The brackets are interchangeable with brackets of old VDW10/20 series. For details of exterior dimensions, please contact SMC.

\* Only for aluminum and stainless steel (Select stainless steel when interchangeable product is necessary for water.)



\* Enter symbols in the order to the right when ordering a combination of electrical option, other options, and bracket interchangeable with old type.

Example) VDW **2** **0** **A** **Z** **1A** **Z** **XB**

Electrical option

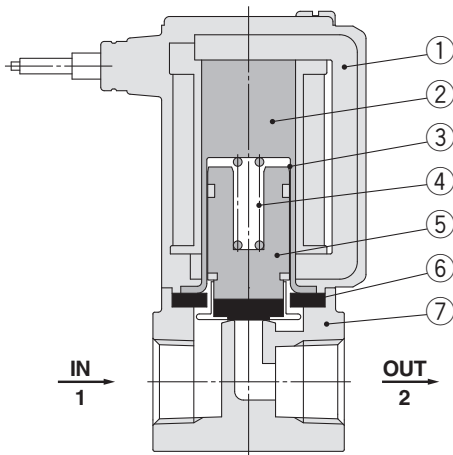
Other option

Bracket interchangeable with old type

## Construction

### Normally closed (N.C.)

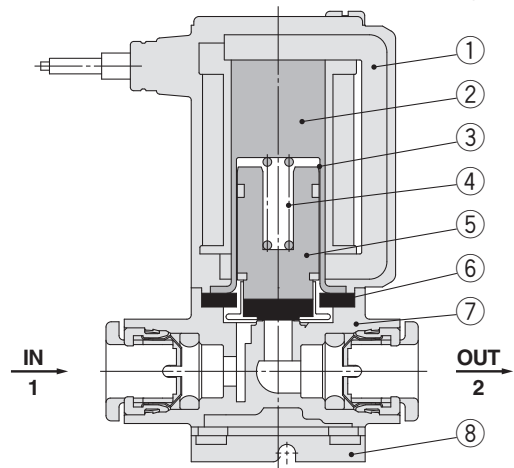
Body material: Aluminum, PPS resin, C37, Stainless steel



### Component Parts

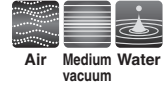
No.	Description	Material
1	Solenoid coil	Cu + Fe + Resin
2	Fixed armature	Fe
3	Tube	Stainless steel
4	Return spring	Stainless steel
5	Armature assembly	NBR, FKM, Stainless steel, PPS resin
6	Seal	NBR, FKM
7	Body	Aluminum, PPS resin, C37, Stainless steel

### Body material: PPS resin (One-touch fitting type)



### Component Parts

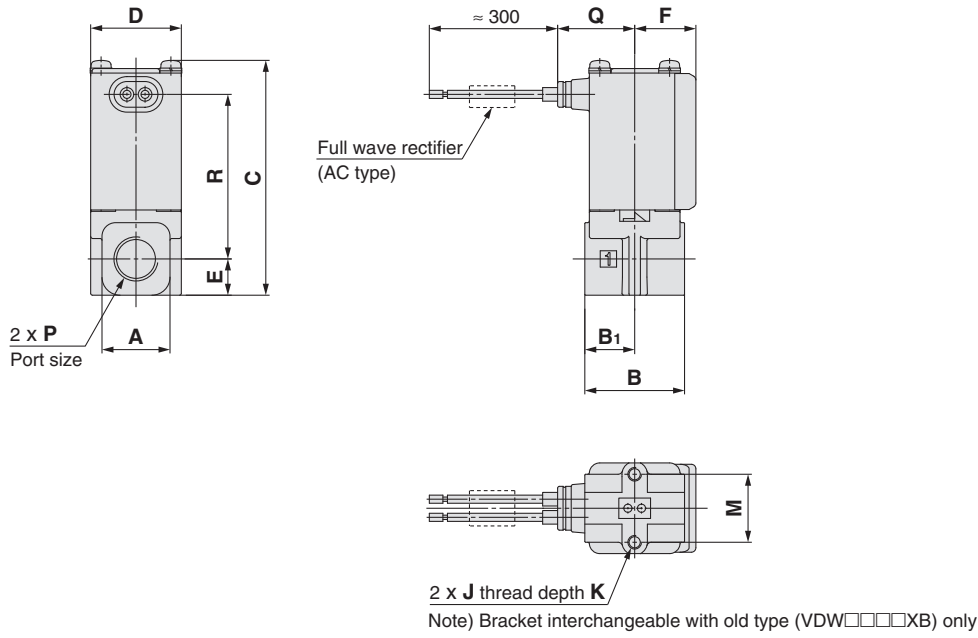
No.	Description	Material
1	Solenoid coil	Cu + Fe + Resin
2	Fixed armature	Fe
3	Tube	Stainless steel
4	Return spring	Stainless steel
5	Armature assembly	NBR, FKM, Stainless steel, PPS resin
6	Seal	NBR, FKM
7	Body	PPS resin
8	Bracket	SPCC



**Dimensions**

**Body material Aluminum**

Grommet



(mm)

Model	Port size <b>P</b>	A	B	B <sub>1</sub>	C	D	E	F	Mounting method			Electrical entry	
									J	K	M	Grommet	
												Q	R
<b>VDW2</b>	M5, 1/8	15	22	11	52	20	8	13.5	M3	5	15	17	36.5

Specifications

For Air

For Medium Vacuum

For Water

Dimensions Construction

# Series VDW

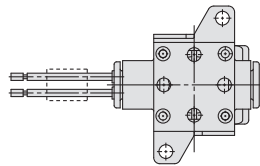
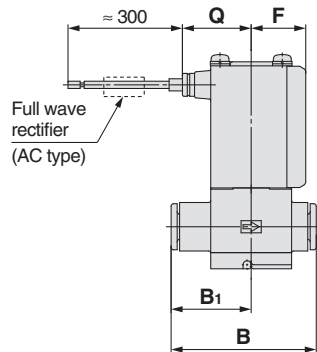
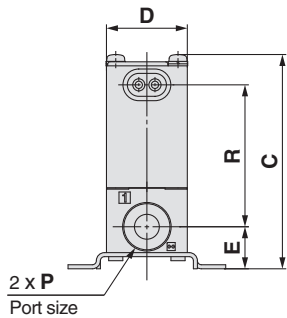
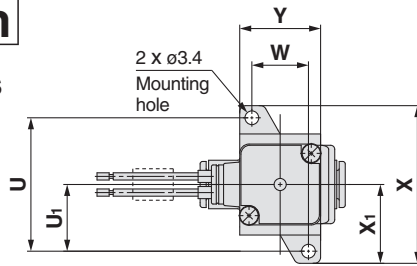


Air, Medium Vacuum, Water

## Dimensions

### Body material Resin

With one-touch fittings  
Grommet



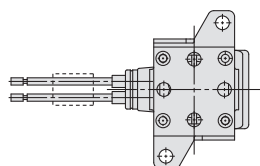
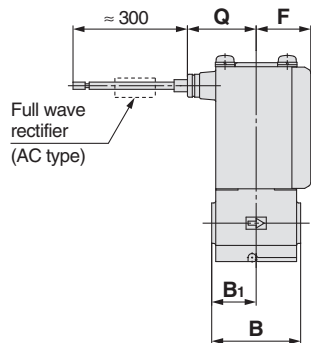
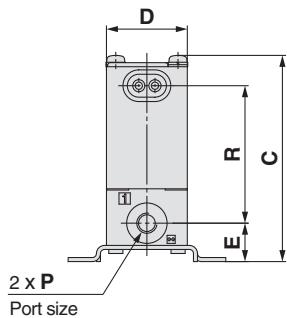
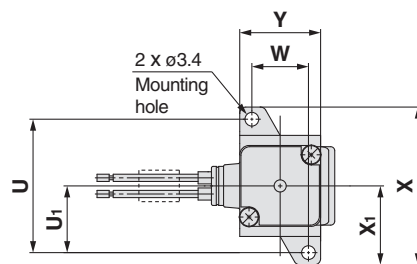
For information on handling one-touch fittings and appropriate tubing, refer to page 15 and KJ series one-touch fittings in Best Pneumatics No. 6. The KJ series information can be downloaded from the following SMC website, <http://www.smcworld.com>

Model	One-touch fitting P	B	B <sub>1</sub>	C	D	E	F
VDW1	ø3.2, ø4	32	17	46	15	9.5	11
VDW2	ø4, ø6	36	20	53	20	10.5	13.5

(mm)

Model	One-touch fitting P	Mounting bracket dimensions						Electrical entry	
		U	U <sub>1</sub>	W	X	X <sub>1</sub>	Y	Grommet	
							Q	R	
VDW1	ø3.2, ø4	28	14	11	34	17	17	15.5	30.5
VDW2	ø4, ø6	33	16.5	14	39	19.5	20	17	35

Port size M5/M6  
Grommet



Model	Port size P	B	B <sub>1</sub>	C	D	E	F
VDW1	M5(M6)	20	10	46	15	9.5	11
VDW2	M5(M6)	22	11	51	20	9.5	13.5

(mm)

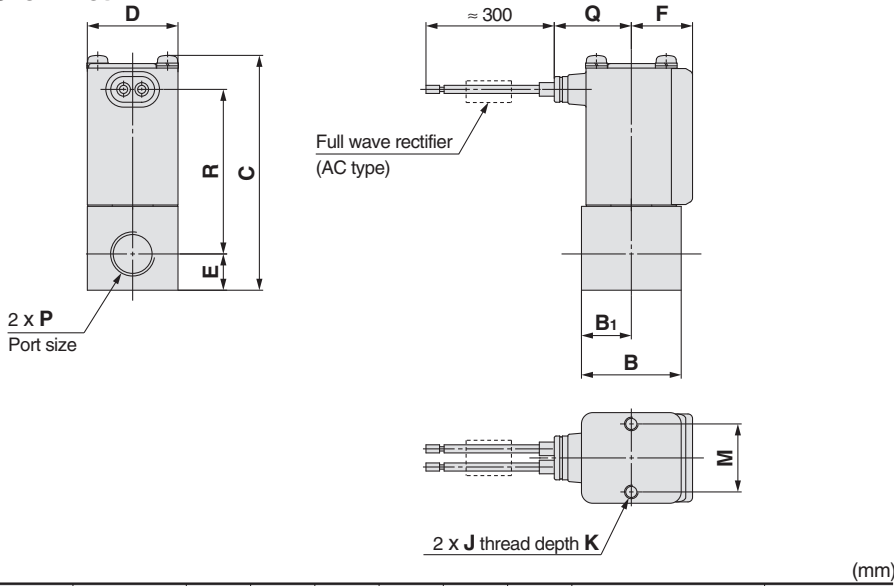
Model	Port size P	Mounting bracket dimensions						Electrical entry	
		U	U <sub>1</sub>	W	X	X <sub>1</sub>	Y	Grommet	
							Q	R	
VDW1	M5(M6)	28	14	11	34	17	17	15.5	30.5
VDW2	M5(M6)	33	16.5	14	39	19.5	20	17	34



**Dimensions**

**Body material C37**

**Grommet**

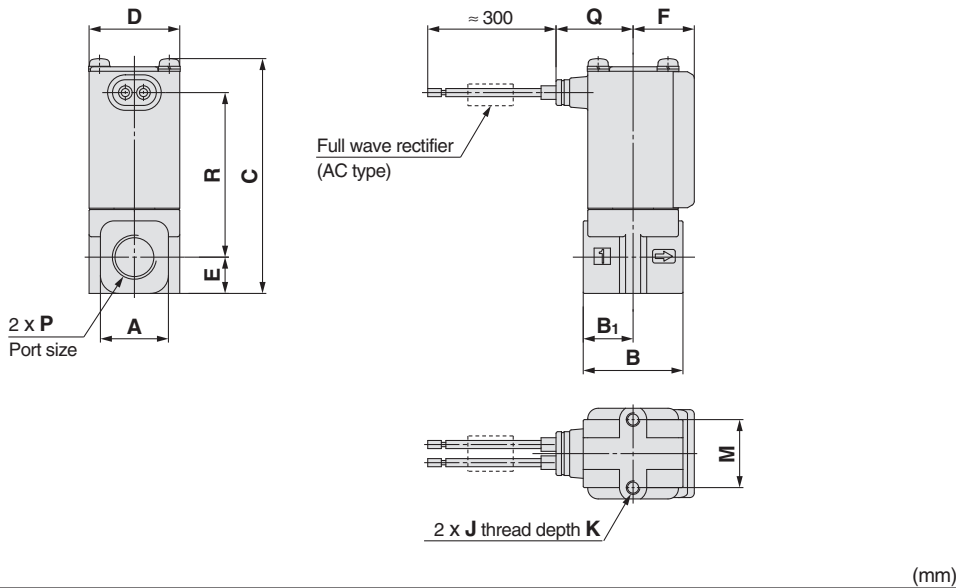


(mm)

Model	Port size P	B	B <sub>1</sub>	C	D	E	F	Mounting method			Electrical entry	
								J	K	M	Grommet	
											Q	R
VDW1	M5	20	10	42.5	15	6	11	M2.5	4	11	15.5	30
VDW2	M5, 1/8	22	11	52	20	8	13.5	M3	5	15	17	36.5

**Body material Stainless Steel**

**Grommet**



(mm)

Model	Port size P	A	B	B <sub>1</sub>	C	D	E	F	Mounting method			Electrical entry	
									J	K	M	Grommet	
												Q	R
VDW1	M5	12	20	10	42.5	15	6	11	M2.5	4	11	15.5	30
VDW2	M5, 1/8	15	22	11	52	20	8	13.5	M3	5	15	17	36.5

Specifications

For Air

For Medium Vacuum

For Water

Dimensions Construction

# Series VDW

## Glossary of Terms

### Pressure Terminology

#### 1. Maximum operating pressure differential

The maximum pressure differential (the difference between the inlet and outlet pressure) which is allowed for operation. When the outlet pressure is 0 MPa, this becomes the maximum operating pressure.

#### 2. Minimum operating pressure differential

The minimum pressure differential (the difference between the inlet pressure and outlet pressure) required to keep the main valve fully opened.

#### 3. Maximum system pressure

The maximum pressure that can be applied inside the pipelines (line pressure).

[The pressure differential in the solenoid valve portion must be less than the maximum operating pressure differential.]

#### 4. Withstand pressure

The pressure in which the valve must be withstood without a drop in performance after holding for one minute under prescribed (static) pressure and returning to the operating pressure range. [value under the prescribed conditions]

### Electrical Terminology

#### 1. Surge voltage

A high voltage which is momentarily generated by shutting off the power in the shut-off area.

#### 2. Enclosure

A degree of protection defined in the "JIS C 0920: Waterproof test of electric machinery/appliance and the degree of protection against the intrusion of solid foreign objects".

Verify the degree of protection for each product.



#### ● First Characteristics: Degrees of protection against solid foreign objects

0	Non-protected
1	Protected against solid foreign objects of $\phi 50$ mm and greater
2	Protected against solid foreign objects of $\phi 12$ mm and greater
3	Protected against solid foreign objects of $\phi 2.5$ mm and greater
4	Protected against solid foreign objects of $\phi 1.0$ mm and greater
5	Dust-protected
6	Dusttight

#### ● Second Characteristics: Degrees of protection against water

0	Non-protected	—
1	Protected against vertically falling water drops	Dripproof type 1
2	Protected against vertically falling water drops when enclosure tilted up to 15°	Dripproof type 2
3	Protected against rainfall when enclosure tilted up to 60°	Rainproof type
4	Protected against splashing water	Splashproof type
5	Protected against water jets	Low jetproof type
6	Protected against powerful water jets	Strong jetproof type
7	Protected against the effects of temporary immersion in water	Immersible type
8	Protected against the effects of continuous immersion in water	Submersible type

Example) IP65: Dusttight, Low jetproof type

"Low jetproof type" means that no water intrudes inside an equipment that could hinder from operating normally by means of applying water for 3 minutes in the prescribed manner. Take appropriate protection measures, since a device is not usable in an environment where a droplet of water is splashed constantly.

### Others

#### 1. Material

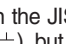
NBR: Nitrile rubber

FKM: Fluoro rubber – Trade names: Viton®, Dai-el®, etc.

#### 2. Oil-free treatment

The degreasing and washing of wetted parts

#### 3. Configuration symbol

In the JIS symbol (  ) IN and OUT are in a blocked condition ( $\pm$ ), but actually in the case of reverse pressure (OUT > IN), there is a limit to the blocking.

Product with flow direction 2  $\rightarrow$  1 with pressure supplied to port 2 and universal specification product are available as specials.

#### Product with flow direction 2 $\rightarrow$ 1 with pressure supplied to port 2

When operating the product with pressure supplied to port 2 and pressure in the flow direction from port 2 to 1, the pressure difference between port 2 and port 1 should be according to the values shown in the table below.

Size	Orifice diameter [mm]	Max. operating pressure differential $\Delta$ psi [ $\Delta$ MPa]
Size 1	$\phi 1.0$	58 (0.4)
	$\phi 1.6$	29 (0.2)
Size 2	$\phi 1.6$	29 (0.2)
	$\phi 2.3$	15 (0.1)
	$\phi 3.2$	7.3 (0.05)

### Caution

When operating the product with flow direction 2  $\rightarrow$  1 with pressure supplied to port 2, there is a risk of the valve opening momentarily and fluid leaking to the downstream side due to a rapid increase of the upstream pressure.

A special product will be available when holding pressure supplied from port 2 in the flow direction 2  $\rightarrow$  1 with low leakage performance is required.

#### Universal specification

A special can be available for Universal Specification, where product operation can be both flow from port 1 to port 2 (1  $\rightarrow$  2) and from port 2 to port 1 (2  $\rightarrow$  1).



# Series VDW Specific Product Precautions 1

Be sure to read before handling.

Refer to back cover for Safety Instructions, "Handling Precautions for SMC Products"(M-E03-3) and the Operation Manual for 2 Port Solenoid Valves for Fluid Control Precautions. Please download it via our website, <http://www.smcworld.com>

## Design

### Warning

#### 1. Cannot be used as an emergency shutoff valve, etc.

The valves presented in this catalog are not designed for safety applications such as an emergency shutoff valve. If the valves are used in this type of system, other reliable safety assurance measures should also be adopted.

#### 2. Extended periods of continuous energization

The solenoid coil will generate heat when continuously energized. Avoid using in a tightly shut container. Install it in a well-ventilated area. Furthermore, do not touch it while it is being energized or right after it is energized.

#### 3. Liquid rings

In cases with a flowing liquid, provide a bypass valve in the system to prevent the liquid from entering the liquid seal circuit.

#### 4. Actuator drive

When an actuator, such as a cylinder, is to be driven using a valve, take appropriate measures to prevent potential danger caused by actuator operation.

#### 5. Pressure (including vacuum) holding

It is not usable for an application such as holding the pressure (including vacuum) inside of a pressure vessel because air leakage is entailed in a valve.

#### 6. When an impact, such as water hammer, etc., caused by the rapid pressure fluctuation is applied, the solenoid valve may be damaged. Give an attention to it.

## Selection

### Warning

#### 1. Fluid

##### 1) Type of fluid

Before using a fluid, check whether it is compatible with the materials of each model by referring to the fluids listed in this catalog. Use a fluid with a kinematic viscosity of 50 mm<sup>2</sup>/s or less. If there is something you do not know, please contact SMC.

##### 2) Flammable oil, Gas

Confirm the specification for leakage in the interior and/or exterior area.

##### 3) Corrosive gas

Cannot be used since it will lead to cracks by stress corrosion or result in other incidents.

4) Depending on water quality, a brass body can cause corrosion and internal leakage may occur. If such abnormalities occur, exchange the product for a stainless steel body.

5) Use an oil-free specification when any oily particle must not enter the passage.

6) Applicable fluid on the list may not be used depending on the operating condition. Give adequate confirmation, and then determine a model, just because the compatibility list shows the general case.

## Selection

### Warning

#### 2. Fluid quality

The use of a fluid that contains foreign objects can cause problems such as malfunction and seal failure by promoting wear of the valve seat and armature, and by sticking to the sliding parts of the armature, etc. Install a suitable filter (strainer) immediately upstream from the valve. As a general rule, use 80 to 100 mesh.

When using tap water, since substances such as calcium and magnesium which generate hard scale and sludge are included and can cause the valve to malfunction, install water softening equipment and a filter (strainer) right before the valve to remove these substances.

#### 3. Air quality

##### 1) Use clean air.

Do not use compressed air that contains chemicals, synthetic oils including organic solvents, salt or corrosive gases, etc., as it can cause damage or malfunction.

##### 2) Install an air filter.

Install an air filter close to the valve on the upstream side. A filtration degree of 5 μm or less should be selected.

##### 3) Install an aftercooler or air dryer, etc.

Compressed air that contains excessive drainage may cause a malfunction of valves and other pneumatic equipment. To prevent this, install an aftercooler or air dryer, etc.

##### 4) If excessive carbon powder is generated, eliminate it by installing a mist separator on the upstream side of valves.

If excessive carbon powder is generated by the compressor, it may adhere to the inside of the valves and cause a malfunction.

Refer to Best Pneumatics No.5 for further details on compressed air quality.

#### 4. Ambient environment

Use within the operable ambient temperature range. Check the compatibility between the product's composition materials and the ambient atmosphere. Be certain that the fluid used does not touch the external surface of the product.

#### 5. Countermeasures against static electricity

Take measures to prevent static electricity since some fluids can cause static electricity.

#### 6. Low temperature operation

1) The valve can be used in an ambient temperature of between 14 to -4°F (-10 to -20°C). However, take measures to prevent freezing or solidification of impurities, etc.

2) When using valves for water application in cold climates, take appropriate countermeasures to prevent the water from freezing in tubing after cutting the water supply from the pump, by draining the water, etc. When warming by a heater, etc., be careful not to expose the coil portion to a heater. Installation of a dryer, heat retaining of the body is recommended to prevent a freezing condition in which the dew point temperature is high and the ambient temperature is low, and the high flow runs.





# Series VDW Specific Product Precautions 2

Be sure to read before handling.

Refer to back cover for Safety Instructions, "Handling Precautions for SMC Products"(M-E03-3) and the Operation Manual for 2 Port Solenoid Valves for Fluid Control Precautions. Please download it via our website, <http://www.smcworld.com>

## Selection

### Warning

#### 7. Fluid quality

##### • Water

The use of a fluid that contains foreign objects can cause problems such as malfunction and seal failure by promoting wear of the valve seat and armature, and by sticking to the sliding parts of the armature, etc. Install a suitable filter (strainer) immediately upstream from the valve. As a general rule, use 50 to 100 mesh.

When using tap water, since substances such as calcium and magnesium which generate hard scale and sludge are included and can cause the valve to malfunction, install water softening equipment and a filter (strainer) right before the valve to remove these substances.

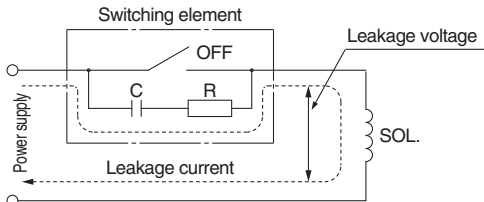
##### • Air

Use ordinary compressed air where a filter of 5 μm or less is provided on the inlet side piping. (Except dry air)

### Caution

#### 1. Leakage voltage

Particularly when using a resistor in parallel with a switching element and using a C-R element (surge voltage suppressor) to protect the switching element, take note that leakage current will flow through the resistor, C-R element, etc., creating a possible danger that the valve may not turn off.



AC/Class B built-in full wave rectifier coil: 10% or less of rated voltage  
DC coil: 2% or less of rated voltage

#### 2. Selecting model

Material depends on fluid. Select optimal models for the fluid.

## Mounting

### Warning

#### 1. If air leakage increases or equipment does not operate properly, stop operation.

After mounting is completed, confirm that it has been done correctly by performing a suitable function test.

#### 2. Do not apply external force to the coil section.

When tightening is performed, apply a wrench or other tool to the outside of the piping connection parts.

## Mounting

### Warning

#### 3. Mount a valve with its coil position upwards, not downwards.

When mounting a valve with its coil positioned downwards, foreign objects in the fluid will adhere to the iron core leading to a malfunction. Especially for strict leakage control, such as with vacuum applications and non-leak specifications, the coil must be positioned upwards.

#### 4. Do not warm the coil assembly with a heat insulator, etc.

Use tape, heaters, etc., for freeze prevention on the piping and body only. They can cause the coil to burn out.

#### 5. Secure with brackets, except in the case of steel piping and copper fittings.

#### 6. Avoid sources of vibration, or adjust the arm from the body to the minimum length so that resonance will not occur.

#### 7. Painting and coating

Warnings or specifications printed or labeled on the product should not be erased, removed or covered up.

## Piping

### Warning

#### 1. During use, deterioration of the tube or damage to the fittings could cause tubes to come loose from their fittings and thrash about.

To prevent uncontrolled tube movement, install protective covers or fasten tubes securely in place.

#### 2. For piping the tube, fix the product securely using the mounting holes so that the product is not in the air.

### Caution

#### 1. Preparation before piping

Before piping is connected, it should be thoroughly blown out with air (flushing) or washed to remove chips, cutting oil and other debris from inside the pipe.

Install piping so that it does not apply pulling, pressing, bending or other forces on the valve body.

#### 2. Avoid connecting ground lines to piping, as this may cause electric corrosion of the system.

#### 3. Tighten threads with the proper tightening torque.

When attaching fittings to valves, tighten with the proper tightening torque shown below.

#### Tightening Torque for Piping

Connection thread	Proper tightening torque lbf-ft (N·m)
M5	0.7 to 1.1 (1 to 1.5)
M6	0.7 to 1.1 (1 to 1.5)
Rc1/8	5.2 to 6.6 (7 to 9)

#### 4. Connection of piping to products

When connecting piping to a product, refer to its operation manual to avoid mistakes regarding the supply port, etc.

#### 5. In applications such as vacuum and non-leak specifications, use caution specifically against the contamination of foreign objects or airtightness of the fittings.



# Series VDW Specific Product Precautions 3

Be sure to read before handling.

Refer to back cover for Safety Instructions, "Handling Precautions for SMC Products"(M-E03-3) and the Operation Manual for 2 Port Solenoid Valves for Fluid Control Precautions. Please download it via our website, <http://www.smcworld.com>

## Recommended Piping Conditions

1. When connecting tubes using one-touch fittings, provide some spare tube length shown in Fig. 1, recommended piping configuration.

Also, do not apply external force to the fittings when binding tubes with bands, etc. (see Fig. 2.)

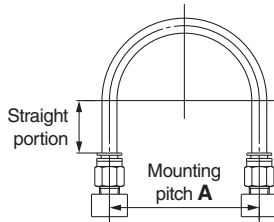


Fig. 1 Recommended piping configuration

Unit: mm

Tube size	Mounting pitch A			Straight portion length
	Nylon tube	Soft nylon tube	Polyurethane tube	
ø3.2	44 or more	29 or more	25 or more	16 or more
ø4	56 or more	30 or more	26 or more	20 or more
ø6	84 or more	39 or more	39 or more	30 or more

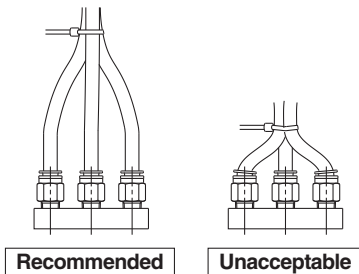


Fig. 2 Binding tubes with bands

## Wiring

### ⚠ Caution

1. As a rule, use electric wire with a cross sectional area of 0.5 to 1.25 mm<sup>2</sup> for wiring. Furthermore, do not allow excessive force to be applied to the lines.
2. Use electric circuits which do not generate chattering in their contacts.
3. Use voltage which is within ±10% of the rated voltage. In cases with a DC power supply where importance is placed on responsiveness, stay within ±5% of the rated value. The voltage drop is the value in the lead wire section connecting the coil.
4. When a surge from the solenoid affects the electrical circuitry, install a surge voltage suppressor, etc., in parallel with the solenoid. Or, adopt an option that comes with the surge voltage protection circuit. (However, a surge voltage occurs even if the surge voltage protection circuit is used. For details, please consult with SMC.)

## Operating Environment

### ⚠ Warning

1. Do not use in an atmosphere having corrosive gases, chemicals, sea water, water, water steam, or where there is direct contact with any of these.
2. Do not use in explosive atmospheres.
3. Do not use in locations subject to vibration or impact.
4. Do not use in locations where radiated heat will be received from nearby heat sources.
5. Employ suitable protective measures in locations where there is contact with water droplets, oil or welding spatter, etc.

## Maintenance

### ⚠ Warning

1. Removing the product

The valve will reach a high temperature when used with high temperature fluids. Confirm that the valve temperature has dropped sufficiently before performing work. If touched inadvertently, there is a danger of being burned.

- 1) Shut off the fluid supply and release the fluid pressure in the system.
- 2) Shut off the power supply.
- 3) Remove the product.

2. Low frequency operation

Switch valves at least once every 30 days to prevent malfunction. Also, in order to use it under the optimum state, conduct a regular inspection once a half year.

### ⚠ Caution

1. Filters and strainers

- 1) Be careful regarding clogging of filters and strainers.
- 2) Replace filter elements after one year of use, or earlier if the pressure drop reaches 14.5 psi (0.1 MPa).
- 3) Clean strainers when the pressure drop reaches 14.5 psi (0.1 MPa).

2. Lubrication

When using after lubricating, never forget to lubricate continuously.

3. Storage

In case of long term storage after use with heated water, thoroughly remove all moisture to prevent rust and deterioration of rubber materials, etc.

4. Exhaust the drainage from an air filter periodically.

## Operating Precautions

### ⚠ Warning

1. If there is a possibility of reverse pressure being applied to the valve, take countermeasures such as mounting a check valve on the downstream side of the valve.
2. When problems are caused by a water hammer, install water hammer relief equipment (accumulator, etc.), or use an SMC water hammer relief valve (Series VXR). For details, please consult with SMC.



# Series VDW Specific Product Precautions 4

Be sure to read before handling.

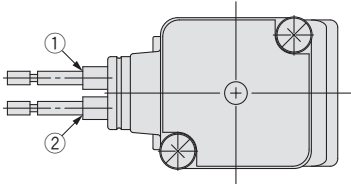
Refer to back cover for Safety Instructions, "Handling Precautions for SMC Products"(M-E03-3) and the Operation Manual for 2 Port Solenoid Valves for Fluid Control Precautions. Please download it via our website, <http://www.smcworld.com>

## Electric Connections

### ⚠ Caution

#### ■ Grommet

Class B coil: AWG20 Outside insulator diameter of 1.8 mm



Rated voltage	Lead wire color	
	①	②
DC	Black	Red
100 VAC	Blue	Blue
200 VAC	Red	Red
Other AC	Gray	Gray

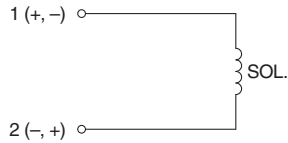
\* There is no polarity.

## Electric Circuits

### ⚠ Caution

#### [DC circuit]

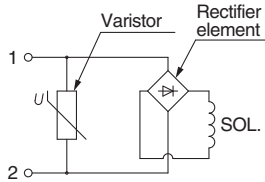
##### Grommet



#### [AC circuit]

\* For AC (Class B), the standard product is equipped with surge voltage suppressor.

##### Grommet



## One-touch Fitting


### ⚠ Caution


For information on handling one-touch fittings and appropriate tubing, refer to page 15 and the KJ series one-touch fittings in Best Pneumatics No. 6.


The KJ series information can be downloaded from the following SMC website, <http://www.smcworld.com>

## Safety Instructions

These safety instructions are intended to prevent hazardous situations and/or equipment damage. These instructions indicate the level of potential hazard with the labels of “**Caution**,” “**Warning**” or “**Danger**.” They are all important notes for safety and must be followed in addition to International Standards (ISO/IEC)\*1), and other safety regulations.

 **Caution:** **Caution** indicates a hazard with a low level of risk which, if not avoided, could result in minor or moderate injury.

 **Warning:** **Warning** indicates a hazard with a medium level of risk which, if not avoided, could result in death or serious injury.

 **Danger:** **Danger** indicates a hazard with a high level of risk which, if not avoided, will result in death or serious injury.

\*1) ISO 4414: Pneumatic fluid power – General rules relating to systems.  
ISO 4413: Hydraulic fluid power – General rules relating to systems.  
IEC 60204-1: Safety of machinery – Electrical equipment of machines.  
(Part 1: General requirements)  
ISO 10218-1: Manipulating industrial robots - Safety.  
etc.

### Warning

#### 1. The compatibility of the product is the responsibility of the person who designs the equipment or decides its specifications.

Since the product specified here is used under various operating conditions, its compatibility with specific equipment must be decided by the person who designs the equipment or decides its specifications based on necessary analysis and test results. The expected performance and safety assurance of the equipment will be the responsibility of the person who has determined its compatibility with the product. This person should also continuously review all specifications of the product referring to its latest catalog information, with a view to giving due consideration to any possibility of equipment failure when configuring the equipment.

#### 2. Only personnel with appropriate training should operate machinery and equipment.

The product specified here may become unsafe if handled incorrectly. The assembly, operation and maintenance of machines or equipment including our products must be performed by an operator who is appropriately trained and experienced.

#### 3. Do not service or attempt to remove product and machinery/equipment until safety is confirmed.

1. The inspection and maintenance of machinery/equipment should only be performed after measures to prevent falling or runaway of the driven objects have been confirmed.
2. When the product is to be removed, confirm that the safety measures as mentioned above are implemented and the power from any appropriate source is cut, and read and understand the specific product precautions of all relevant products carefully.
3. Before machinery/equipment is restarted, take measures to prevent unexpected operation and malfunction.

#### 4. Contact SMC beforehand and take special consideration of safety measures if the product is to be used in any of the following conditions.

1. Conditions and environments outside of the given specifications, or use outdoors or in a place exposed to direct sunlight.
2. Installation on equipment in conjunction with atomic energy, railways, air navigation, space, shipping, vehicles, military, medical treatment, combustion and recreation, or equipment in contact with food and beverages, emergency stop circuits, clutch and brake circuits in press applications, safety equipment or other applications unsuitable for the standard specifications described in the product catalog.
3. An application which could have negative effects on people, property, or animals requiring special safety analysis.
4. Use in an interlock circuit, which requires the provision of double interlock for possible failure by using a mechanical protective function, and periodical checks to confirm proper operation.

### Caution

#### 1. The product is provided for use in manufacturing industries.

The product herein described is basically provided for peaceful use in manufacturing industries.

If considering using the product in other industries, consult SMC beforehand and exchange specifications or a contract if necessary.

If anything is unclear, contact your nearest sales branch.

## Limited warranty and Disclaimer/ Compliance Requirements

The product used is subject to the following “Limited warranty and Disclaimer” and “Compliance Requirements”.

Read and accept them before using the product.

### Limited warranty and Disclaimer

1. The warranty period of the product is 1 year in service or 1.5 years after the product is delivered.\*2)  
Also, the product may have specified durability, running distance or replacement parts. Please consult your nearest sales branch.
2. For any failure or damage reported within the warranty period which is clearly our responsibility, a replacement product or necessary parts will be provided. This limited warranty applies only to our product independently, and not to any other damage incurred due to the failure of the product.
3. Prior to using SMC products, please read and understand the warranty terms and disclaimers noted in the specified catalog for the particular products.

\*2) Vacuum pads are excluded from this 1 year warranty.

A vacuum pad is a consumable part, so it is warranted for a year after it is delivered. Also, even within the warranty period, the wear of a product due to the use of the vacuum pad or failure due to the deterioration of rubber material are not covered by the limited warranty.

### Compliance Requirements

1. The use of SMC products with production equipment for the manufacture of weapons of mass destruction (WMD) or any other weapon is strictly prohibited.
2. The exports of SMC products or technology from one country to another are governed by the relevant security laws and regulations of the countries involved in the transaction. Prior to the shipment of a SMC product to another country, assure that all local rules governing that export are known and followed.



## Safety Instructions

Be sure to read “Handling Precautions for SMC Products” (M-E03-3) before using.





# Global Manufacturing, Distribution and Service Network

## Worldwide Subsidiaries

### North & South America

-  U.S.A. SMC Corporation of America
-  CANADA SMC Pneumatics (Canada) Ltd.
-  MEXICO SMC Corporation (México), S.A. de C.V.
-  BRAZIL SMC Pneumáticos do Brasil Ltda.
-  CHILE SMC Pneumatics (Chile) S.A.
-  COLOMBIA SMC Colombia Sucursal de SMC Chile S.A.
-  ARGENTINA SMC Argentina S.A.
-  BOLIVIA SMC Pneumatics Bolivia S.r.l.
-  VENEZUELA SMC Neumatica Venezuela S.A.
-  PERU (Distributor) IMPECO Automatización Industrial S.A.C.
-  ECUADOR (Distributor) ASSISTECH CIA. LTDA.













### Asia/Oceania

-  CHINA SMC (China) Co., Ltd.
-  CHINA SMC Pneumatics (Guangzhou) Ltd.
-  HONG KONG SMC Pneumatics (Hong Kong) Ltd.
-  TAIWAN SMC Pneumatics (Taiwan) Co., Ltd.
-  KOREA SMC Pneumatics Korea Co., Ltd.
-  SINGAPORE SMC Pneumatics (S.E.A.) Pte. Ltd.
-  MALAYSIA SMC Pneumatics (S.E.A.) Sdn. Bhd.
-  THAILAND SMC (Thailand) Ltd.
-  PHILIPPINES Shoketsu SMC Corporation
-  INDIA SMC Pneumatics (India) Pvt. Ltd.
-  ISRAEL (Distributor) Baccara Geva A.C.S. Ltd.
-  INDONESIA (Distributor) PT. Sinar Mutiara Cemerlang
-  VIETNAM (Distributor) Dy Dan Trading Co., Ltd.
-  PAKISTAN (Distributor) Jubilee Corporation

### Asia/Oceania

-  SRI LANKA (Distributor) Electro-Serv (Pvt.) Ltd.
-  IRAN (Distributor) Abzarchian Co. Ltd.
-  U.A.E. (Distributor) Machinery People Trading Co. L.L.C.
-  KUWAIT (Distributor) Esco Kuwait Equip & Petroleum App. Est.
-  SAUDI ARABIA (Distributor) Assaggaff Trading Est.
-  BAHRAIN (Distributor) Mohammed Jalal & Sons W.L.L. Technical & Automotive Services
-  SYRIA (Distributor) Miak Corporation
-  JORDAN (Distributor) Atafawok Trading Est.
-  BANGLADESH (Distributor) Chemie International
-  AUSTRALIA SMC Pneumatics (Australia) Pty. Ltd.
-  NEW ZEALAND SMC Pneumatics (N.Z.) Ltd.
-  JAPAN SMC Corporation

### Europe/Africa

-  GERMANY SMC Pneumatik GmbH
-  SWITZERLAND SMC Pneumatik AG
-  U.K. SMC Pneumatics (U.K.) Ltd.
-  FRANCE SMC Pneumatique SA
-  SPAIN / PORTUGAL SMC España S.A.
-  ITALY SMC Italia S.p.A.
-  GREECE SMC HELLAS E.P.E
-  IRELAND SMC Pneumatics (Ireland) Ltd.
-  NETHERLANDS (Associated company) SMC Pneumatics BV
-  BELGIUM (Associated company) SMC Pneumatics N.V./S.A.
-  DENMARK SMC Pneumatik A/S
-  AUSTRIA SMC Pneumatik GmbH (Austria)

### Europe/Africa

-  CZECH REPUBLIC SMC Industrial Automation CZ s.r.o.
-  HUNGARY SMC Hungary Ipari Automatizálási Kft.
-  POLAND SMC Industrial Automation Polska Sp. z o.o.
-  SLOVAKIA SMC Priemyselna Automatizacia Spol s.r.o.
-  SLOVENIA SMC Industrijska Avtomatika d.o.o.
-  BULGARIA SMC Industrial Automation Bulgaria EOOD
-  CROATIA SMC Industrijska Avtomatika d.o.o.
-  BOSNIA AND HERZEGOVINA (Distributor) A.M. Pneumatik d.o.o.
-  SERBIA (Distributor) Best Pneumatics d.o.o.
-  UKRAINE (Distributor) PNEUMOTEC Corp.
-  FINLAND SMC Pneumatics Finland Oy
-  NORWAY SMC Pneumatics Norway AS
-  SWEDEN SMC Pneumatics Sweden AB
-  ESTONIA SMC Pneumatics Estonia Oü
-  LATVIA SMC Pneumatics Latvia SIA
-  LITHUANIA (LIETUVA) UAB "SMC Pneumatics"
-  ROMANIA SMC Romania S.r.l.
-  RUSSIA SMC Pneumatik LLC.
-  KAZAKHSTAN SMC Kazakhstan, LLC.
-  TURKEY (Distributor) Entek Pnömatik Sanayi ve Ticaret Şirketi
-  MOROCCO (Distributor) Soraflex
-  TUNISIA (Distributor) Byms
-  EGYPT (Distributor) Saadani Trading & Industrial Services
-  NIGERIA (Distributor) Faraday Engineering Company Ltd.
-  SOUTH AFRICA (Distributor) Hyflo Southern Africa (Pty.) Ltd.

## U.S. & Canadian Sales Offices

### WEST

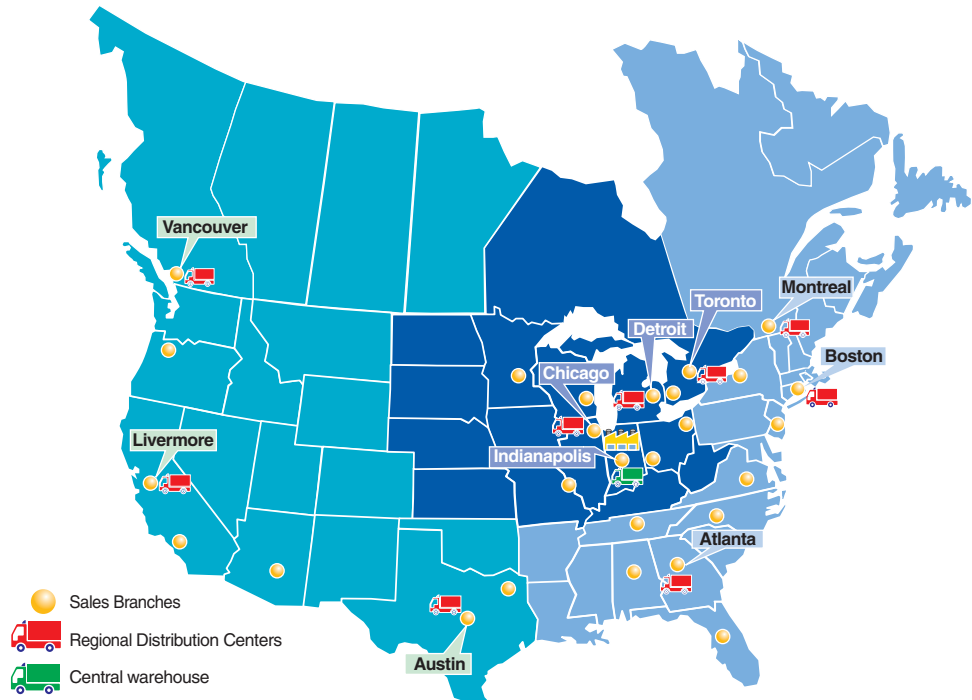
- Austin
- Dallas
- Los Angeles
- Phoenix
- Portland
- San Francisco
- Vancouver




### EAST

- Atlanta
- Birmingham
- Boston
- Charlotte
- Nashville
- New Jersey
- Richmond
- Rochester
- Tampa
- Montreal

### CENTRAL

- Chicago
- Cincinnati
- Cleveland
- Detroit
- Indianapolis
- Milwaukee
- Minneapolis
- St. Louis
- Toronto
- Windsor



-  Sales Branches
-  Regional Distribution Centers
-  Central warehouse

**SMC Corporation of America**  
10100 SMC Blvd., Noblesville, IN 46060

[www.smcusa.com](http://www.smcusa.com)

**SMC Pneumatics (Canada) Ltd.**  
[www.smcpcneumatics.ca](http://www.smcpcneumatics.ca)

**(800) SMC.SMC1 (762-7621)**

e-mail: [sales@smcusa.com](mailto:sales@smcusa.com)

For International inquiries: [www.smcworld.com](http://www.smcworld.com)

