

Series VZ400 Manifold Specifications

Manifold Variations: VV3Z4



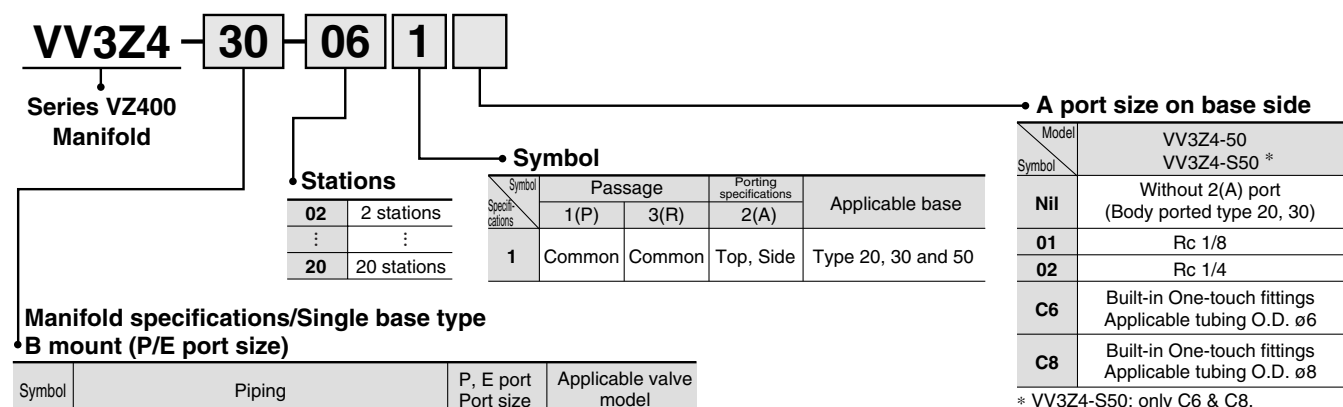
Model

Manifold type		Single base, B mount			
Passage		Common SUP/EXH type			
Valve stations		Max. 20 stations			
Manifold base model		VV3Z4-20	VV3Z4-30	VV3Z4-50	VV3Z4-S50
Pilot valve exhaust		Individual exhaust	Common exhaust	Common exhaust	
2(A) port		Piping direction/Location		Side/Base (Opposite side of solenoid)	
		Port size		Rc 1/8, 1/4	
P, E port		Port size		Rc 1/4	
Applicable valve model		VZ412□□□-01 VZ422□□□-01		VZ415-□□□ VZ425-□□□	
		Body ported		Base mounted (Without sub-plate)	
Blanking plate		VVZ400-31A-1	VVZ400-32A-1	VVZ400-32A-2	VVZ400-31A-2

Screws and Gasket Assembly Part No.

Model	Part no.
VV3Z4-20	BG-VZ402
VV3Z4-30	BG-VZ403
VV3Z4-50 -S50	BG-VZ405

How to Order Manifold Base



Manifold specifications/Single base type B mount (P/E port size)

Symbol	Piping	P, E port Port size	Applicable valve model
20	Body ported (Individual pilot exhaust)	Rc 1/4	VZ4□2
30	Body ported (Common pilot exhaust)	Rc 1/4	VZ4□2
50	Base mounted (Common pilot exhaust) 2(A) port direction: opposite side of solenoid valve	Rc 1/4	VZ4□5
S50*	Base mounted (Common pilot exhaust) 2(A) port direction: same side of solenoid valve	Rc 1/4	VZ4□5

* Type S50 is available only with built-in One-touch fittings.

Instruct by specifying the valves, blanking plate option to be mounted on the manifold along with the manifold base model no. And for the order of valves installation or option's position, instruct separately by the manifold specification sheet.

(Example)

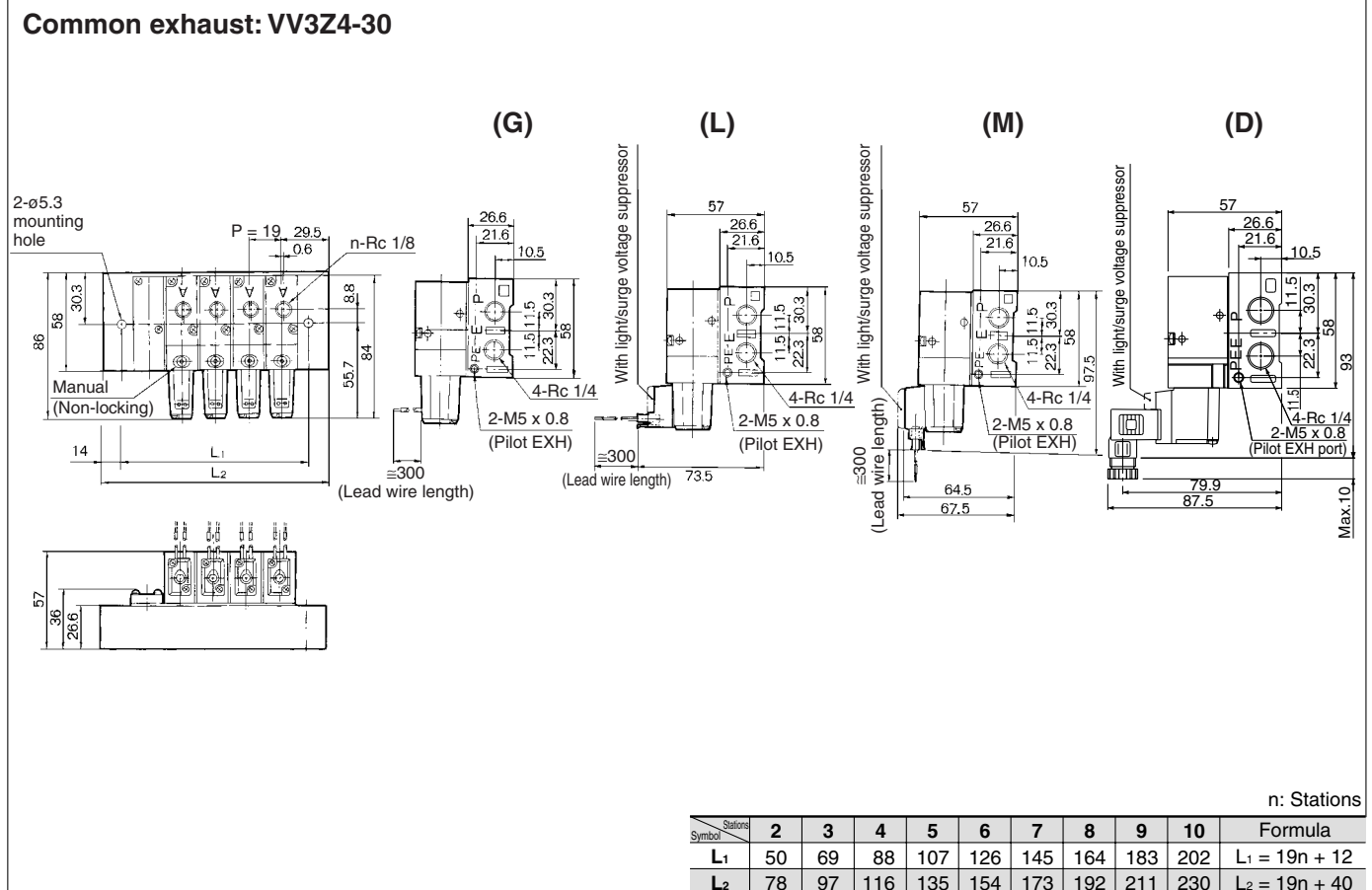
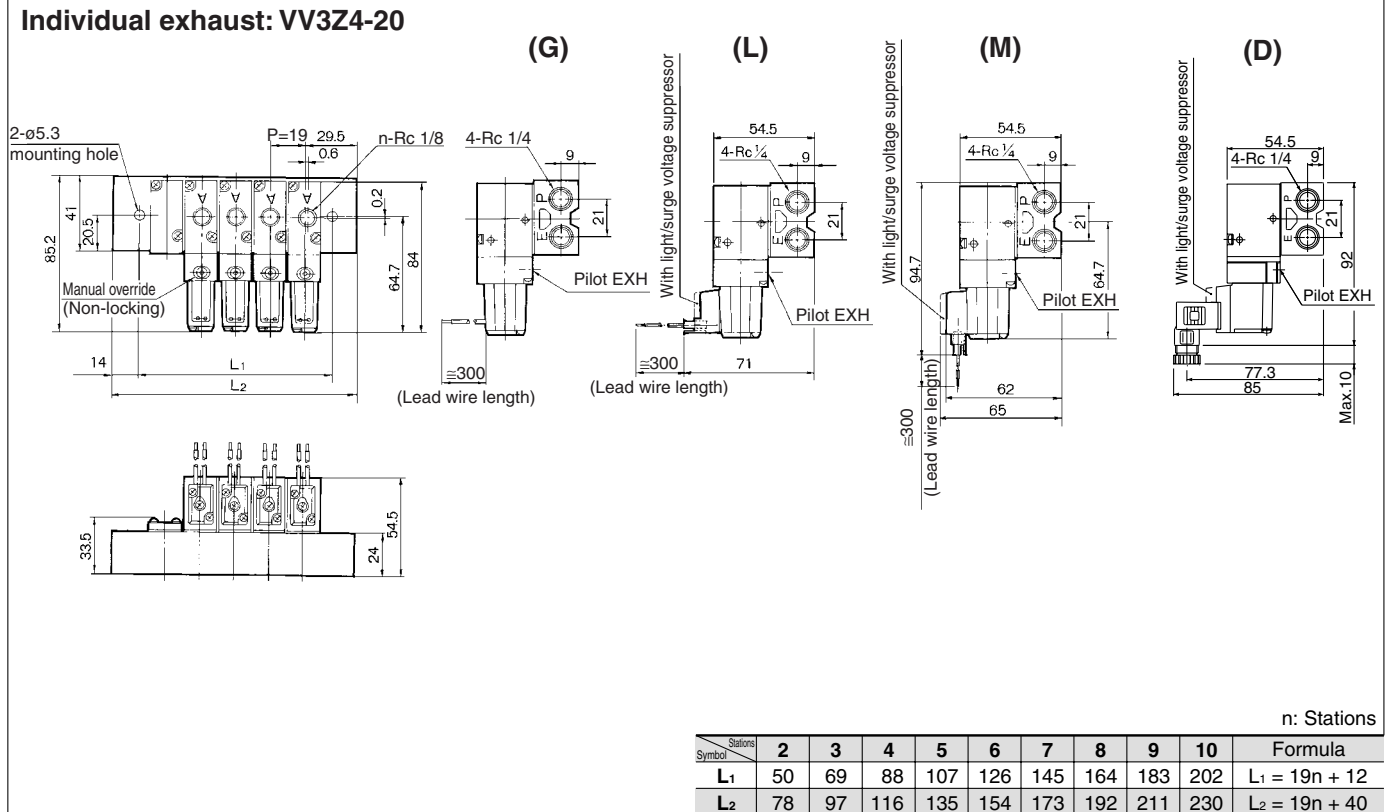
<Top ported, common pilot exhaust>
 VV3Z4-30-061 (6 stations)
 VZ412-1G-01..... 3 pcs.
 VZ412-1G-01..... 2 pcs.
 VVZ400-32A-1..... 1 pc. (Blanking plate)

<Side ported, common pilot exhaust>
 VV3Z4-50-061-01 (6 stations)
 VZ415-1G..... 3 pcs.
 VZ425-1G..... 2 pcs.
 VVZ400-32A-2..... 1 pc. (Blanking plate)

<Side ported, common pilot exhaust>
 VV3Z4-S50-061-C8 (6 stations)
 VZ415-5L..... 3 pcs.
 VZ415-5L..... 3 pcs.

Series VZ400

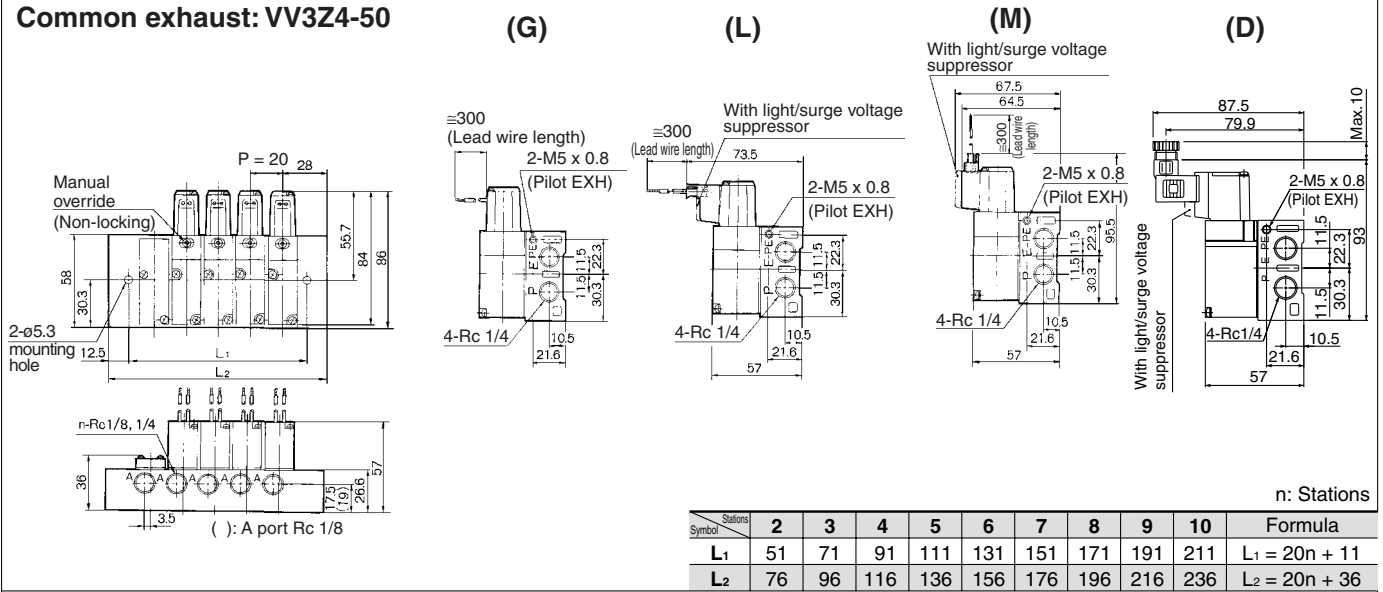
Dimensions: Individual Exhaust/Common Exhaust



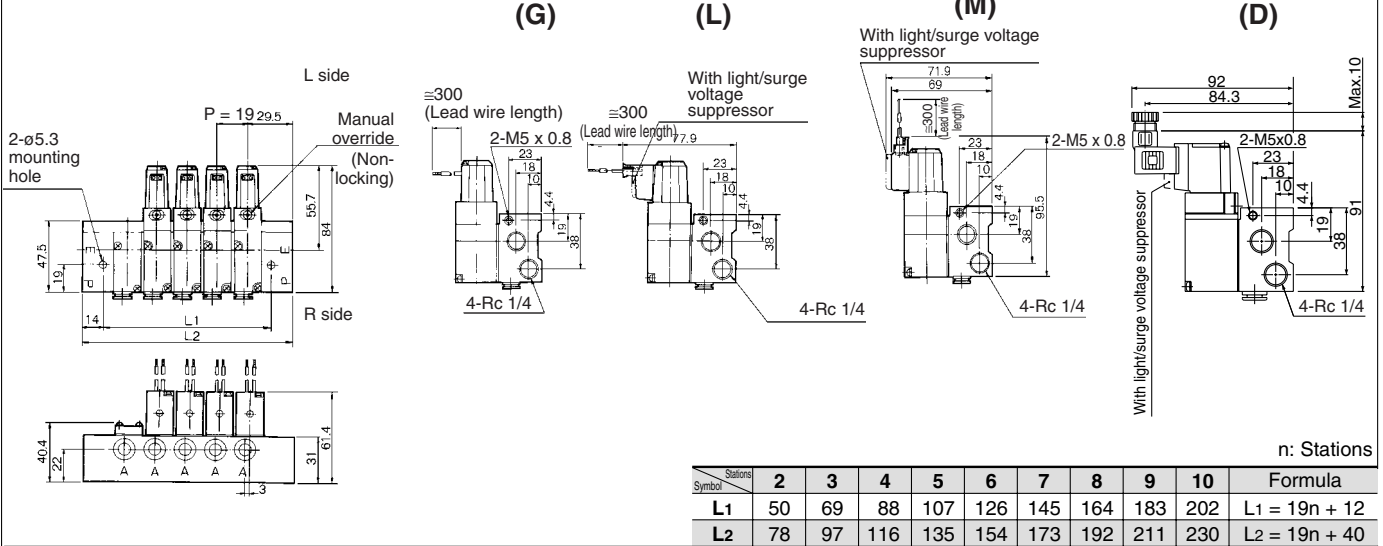
3 Port Solenoid Valve Metal Seal, Body Ported/Base Mounted **Series VZ400**

Dimensions: Common Exhaust

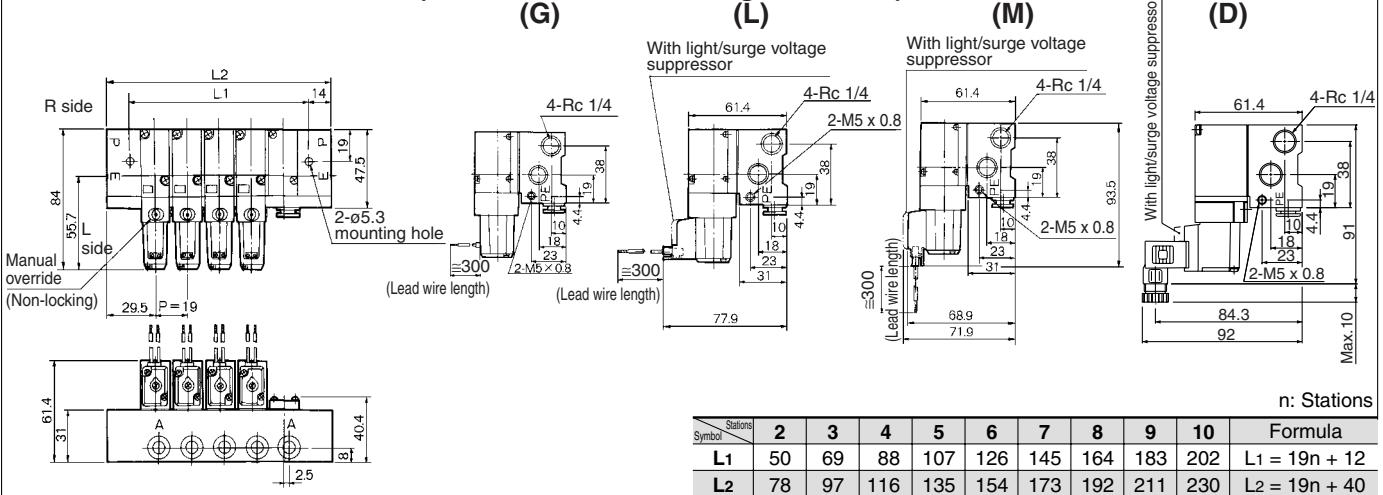
Common exhaust: VV3Z4-50



Common exhaust: VV3Z4-50 (Built-in One-touch fittings manifold)



Common exhaust: VV3Z4-S50 (Built-in One-touch fittings manifold)



- V100
- SY
- SYJ
- VK
- VZ
- VT
- VP
- VG
- VP
- S070
- VQ
- VKF
- VQZ
- VZ**
- VS
- VFN