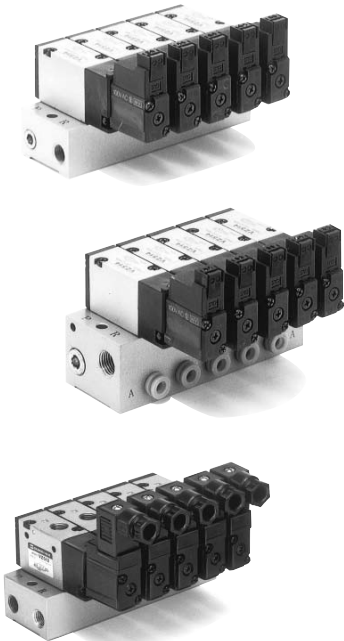


Series VZ500

Manifold Specifications



Flow Characteristics

Manifold			Port size		Flow characteristics					
					1 → 2 (P → A)			2 → 3 (A → R)		
			1(P), 3(R) port	2(A) port	C [dm³/(s·bar)]	b	Cv	C [dm³/(s·bar)]	b	Cv
Body ported For internal pilot	VV3Z5-20-□1	VZ5□2	1/8	1/8	2.2	0.34	0.55	2.3	0.27	0.59
	VV3Z5-21-□1		1/4	1/8	2.2	.39	0.59	2.4	0.32	0.62
Base mounted For internal pilot	VV3Z5-40-□2	VZ5□4	1/8	1/8	2.1	0.35	0.59	2.3	0.27	0.54
	VV3Z5-41-□2		1/4	1/8	2.2	0.35	0.59	2.4	0.36	0.66
	VV3Z5-41-□1		1/4	1/8	2.0	0.27	0.47	2.2	0.32	0.56
			1/4	C6	1.6	0.32	0.39	2.2	0.27	0.54
Body ported For external pilot	VV3Z5-21R-□1	VZ5□2R	1/4	1/8	2.2	0.34	0.55	2.4	0.32	0.62
	VV3Z5-41R-□2		1/4	1/8	2.2	0.35	0.59	2.4	0.36	0.66
Base mounted For external pilot	VV3Z5-41R-□2	VZ5□4R	1/4	1/8	2.0	0.27	0.47	2.2	0.32	0.56
			1/4	C6	1.6	0.32	0.39	2.2	0.27	0.54
	VV3Z5-41R-□1		1/4	C8	2.1	0.24	0.51	2.3	0.31	0.59
			1/4	C8	2.1	0.24	0.51	2.3	0.31	0.59

Note) Value at manifold base mounted

How to Order Manifold

Instruct by specifying the valves and blanking plate assembly to be mounted on the manifold along with the manifold base model no.

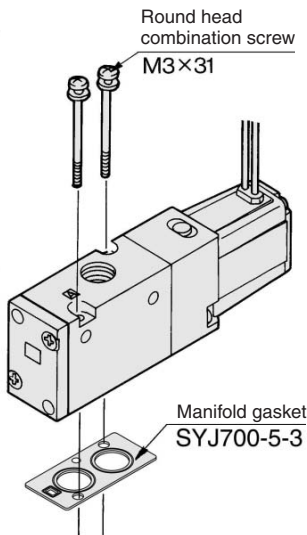
(Example)
 VV3Z5-20-031.....1 pc. (Manifold base) VV3Z8-41R-031-01.....1 pc. (Manifold base)
 *VZ512-5LZ-01.....2 pcs. (Valve) *VZ514R-5G.....2 pcs. (Valve)
 *DXT201-15-6A.....1 pc. (Blanking plate assembly) *DXT201-15-4A.....1 pc. (Blanking plate assembly)

↳The asterisk denotes the symbol for assembly. Prefix it to the part nos. of the solenoid valve, etc.

Option

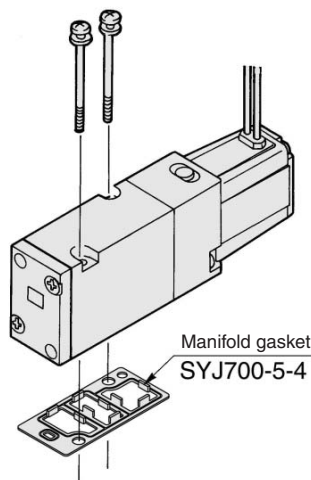
Combinations of Solenoid Valve, Manifold Gasket and Manifold Base

Body ported (VZ5□2)



Applicable base
 VV3Z5-20-□1 } Manifold base
 VV3Z5-21-□1 }
 VV3Z5-21R-□1 }

Base mounted (VZ5□4)

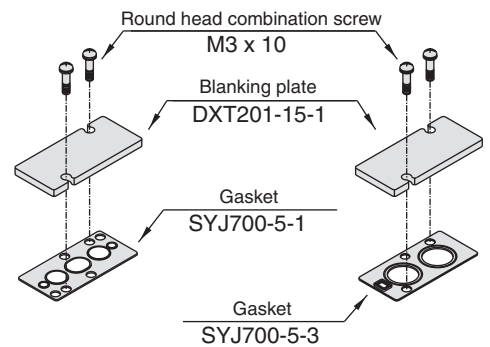


Applicable base
 Sub-plate
 VV3Z5-40-□2 } Manifold base
 VV3Z5-41-□2 }
 VV3Z5-41-□1 }
 VV3Z5-41R-□2 }
 VV3Z5-41R-□1 }

Blanking Plate Assembly

Part no.:
DXT201-15-4A
 (In common for body ported type and base mounted type)

Part no.:
DXT201-15-6A
 (For shipping assembled manifold base for body ported type)



Applicable Blanking Plate Assembly

Manifold base	Blanking plate assembly part no.
VV3Z5-20	DXT201-15-6A
VV3Z5-21(R)	
VV3Z5-40	DXT201-15-4A
VV3Z5-41(R)	

Note) Only in the case of assembled with manifold base at the time of shipment.

* For shipping blanking plate assembly alone, DXT201-15-4A (In common use for body ported type, base mounted type)

⚠ Caution

Mounting Screw Tightening Torques

M3: 0.8 N·m
 4-6-34

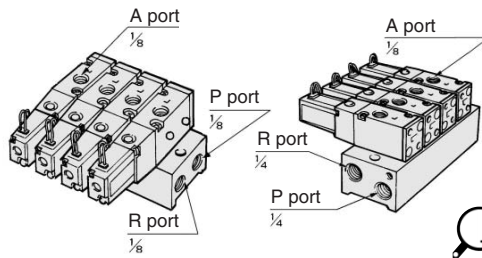
⚠ Warning

When mounting a solenoid valve on the manifold base or sub-plate, etc., the mounting direction is determined. If mounted in the wrong direction, the equipment to be wired might result in malfunction. Refer to dimensions of this catalog and use caution to the mounting direction.

3 Port Solenoid Valve Rubber Seal, Body Ported/Base Mounted **Series VZ500**

Manifold for Internal Pilot

Type 20/21



How to Order

VV3Z5-20-05 1-

Manifold	
20	Type 20
21	Type 21

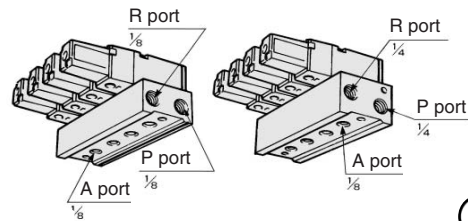
Stations	
02	2 stations
⋮	⋮
20	20 stations

P/R port thread type	
Nil	Rc
00F	G
00N	NPT
00T	NPTF

Applicable solenoid valve
 VZ512-□□□□-01□
 VZ512M-□□□□-01□
 VZ522-□□□□-01□
 VZ522M-□□□□-01□
Applicable blanking plate assembly
 DXT201-15-4A

Note) If there are more than 6 stations for type 20, or more than 9 stations for 21 type, supply air to both sides of P port and exhaust air from both sides of R port.

Type 40/41 (Bottom ported)



How to Order

VV3Z5-40-05 2-01

Manifold	
40	Type 40
41	Type 41

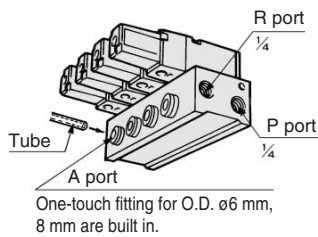
Stations	
02	2 stations
⋮	⋮
20	20 stations

P/R port thread type	
Nil	Rc
F	G
N	NPT
Z	NPTF

Applicable solenoid valve
 VZ514-□□□□
 VZ514M-□□□□
 VZ524-□□□□
 VZ524M-□□□□
Applicable blanking plate assembly
 DXT201-15-4A

Note) If there are more than 6 stations for type 40, or more than 9 stations for 41 type, supply air to both sides of P port and exhaust air from both sides of R port.

Type 41 (Side ported)



How to Order

VV3Z5-41-05 1-C6

Stations	
02	2 stations
⋮	⋮
20	20 stations

A port side	
01	1/8
C6	One-touch fitting for ø6
C8	One-touch fitting for ø8
B7	One-touch fitting for ø1/4
B9	One-touch fitting for ø5/16

P/R port thread type	
Nil	Rc
F	G
N	NPT
T	NPTF

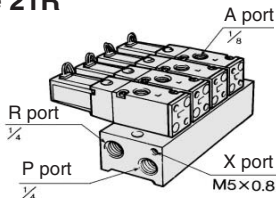
Applicable solenoid valve
 VZ514-□□□□
 VZ514M-□□□□
 VZ524-□□□□
 VZ524M-□□□□
Applicable blanking plate assembly
 DXT201-15-4A

Note) For more than 9 stations, supply air to both sides of P port and exhaust air from both sides of R port.

Manifold for External Pilot

Pilot valve pressure is supplied separately from the main valve pressure through the use of a separate supply port. It can be used in the vacuum (up to -100 kPa) or low pressure line with 0.15 MPa or less.

Type 21R



How to Order

VV3Z5-21R-05 1-

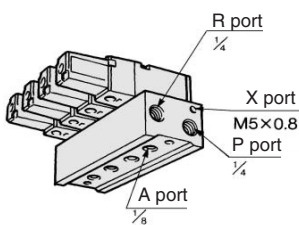
Stations	
02	2 stations
⋮	⋮
20	20 stations

P/R port thread type	
Nil	Rc
00F	G
00N	NPT
00T	NPTF

Applicable solenoid valve
 VZ512R-□□□□-M5
 VZ522R-□□□□-M5
Applicable blanking plate assembly
 DXT201-15-4A

Note) For more than 9 stations, supply air to both sides of P port and exhaust air from both sides of R port.

Type 41R (Bottom ported)



How to Order

VV3Z5-41R-05 2-01

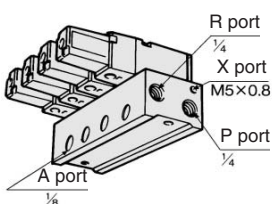
Stations	
02	2 stations
⋮	⋮
20	20 stations

P/R port thread type	
Nil	Rc
F	G
N	NPT
T	NPTF

Applicable solenoid valve
 VZ514R-□□□□
 VZ524R-□□□□
Applicable blanking plate assembly
 DXT201-15-4A

Note) For more than 9 stations, supply air to both sides of P port and exhaust air from both sides of R port.

Type 41R (Side ported)



How to Order

VV3Z5-41R-05 1-01

Stations	
02	2 stations
⋮	⋮
20	20 stations

P/R port thread type	
Nil	Rc
F	G
N	NPT
T	NPTF

Applicable solenoid valve
 VZ514R-□□□□
 VZ524R-□□□□
Applicable blanking plate assembly
 DXT201-15-4A

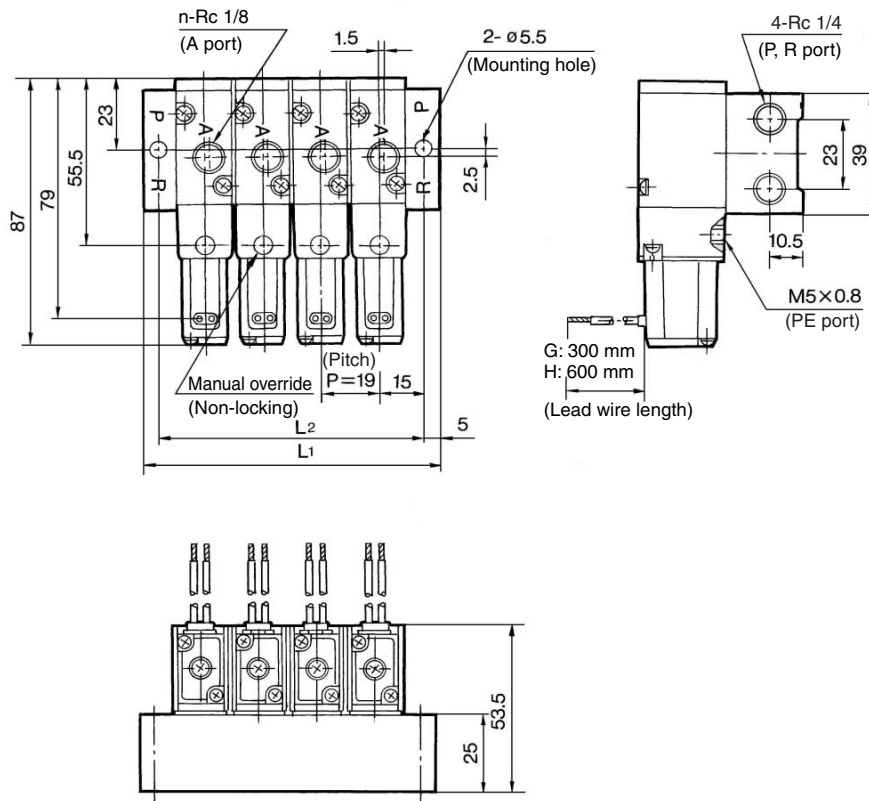
Note) For more than 9 stations, supply air to both sides of P port and exhaust air from both sides of R port.

- V100
- SY
- SYJ
- VK
- VZ
- VT
- VP
- VG
- VP
- S070
- VQ
- VKF
- VQZ
- VZ
- VS
- VFN

Series VZ500

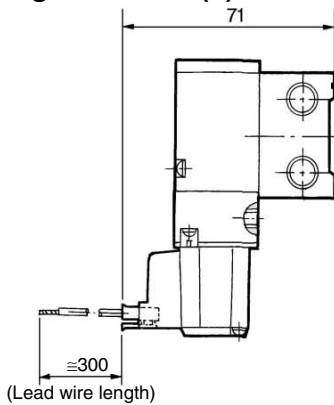
For Internal Pilot
Type 20 Manifold: Top Ported

VV3Z5-20- Stations 1
Grommet (G), (H)

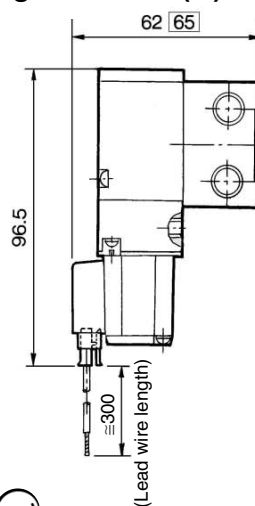


Stations n	2	3	4	5	6	7	8	9	10	11	12	13	14	15	16	17	18	19	20
L_1	59	78	97	116	135	154	173	192	211	230	249	268	287	306	325	344	363	382	401
L_2	49	68	87	106	125	144	163	182	201	220	239	258	277	296	315	334	353	372	391

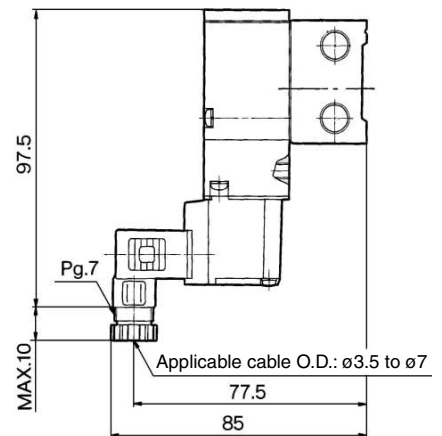
L plug connector (L)



M plug connector (M)



DIN terminal (D)

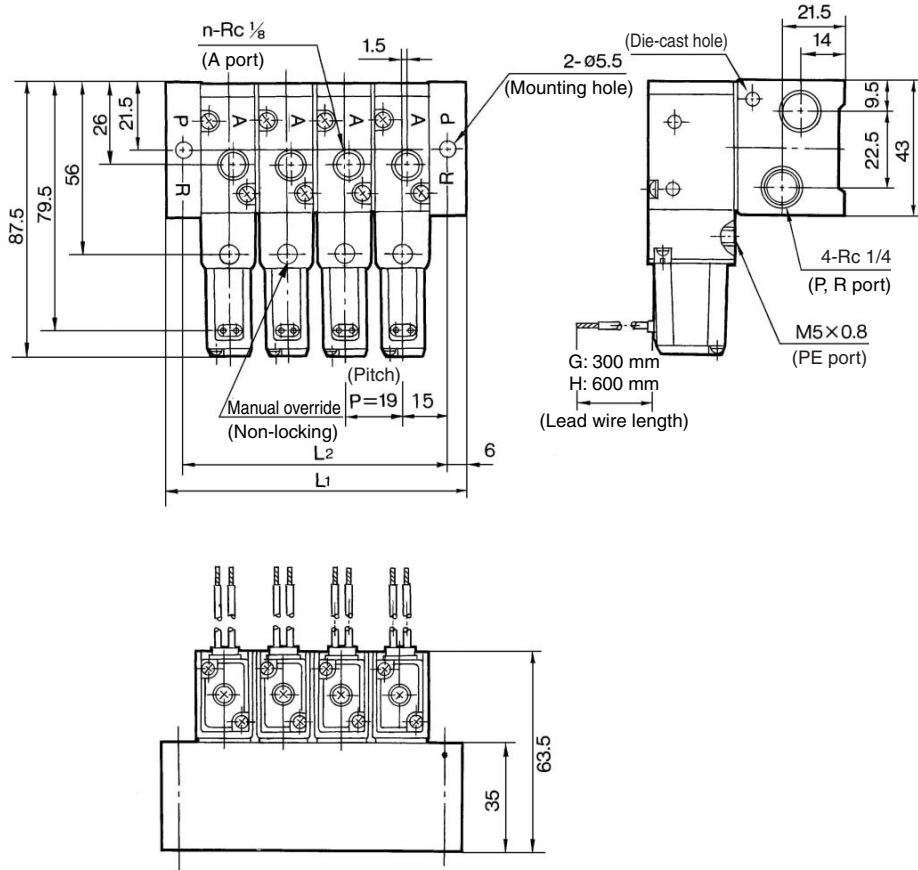


□: With light/surge voltage suppressor

3 Port Solenoid Valve Rubber Seal, Body Ported/Base Mounted **Series VZ500**

**For Internal Pilot
Type 21 Manifold: Top Ported**

**VV3Z5-21- Stations 1
Grommet (G), (H)**



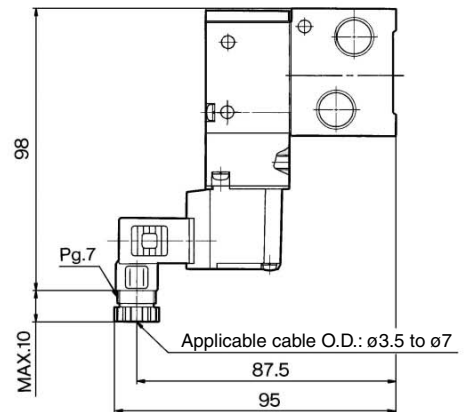
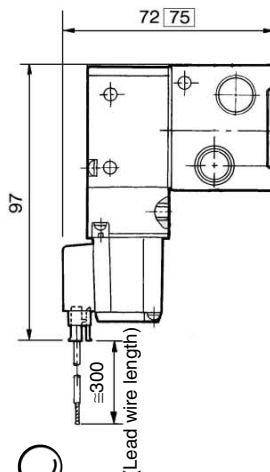
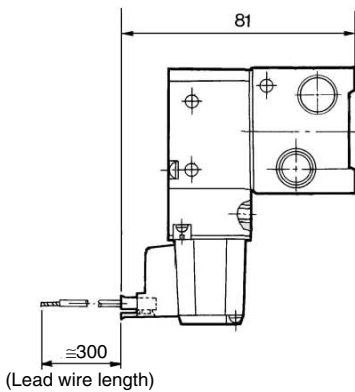
- V100
- SY
- SYJ
- VK
- VZ**
- VT
- VP
- VG
- VP
- S070
- VQ
- VKF
- VQZ
- VZ
- VS
- VFN

Stations n	2	3	4	5	6	7	8	9	10	11	12	13	14	15	16	17	18	19	20
L_1	61	80	99	118	137	156	175	194	213	232	251	270	289	308	327	346	365	384	403
L_2	49	68	87	106	125	144	163	182	201	220	239	258	277	296	315	334	353	372	391

L plug connector (L)

M plug connector (M)

DIN terminal (D)

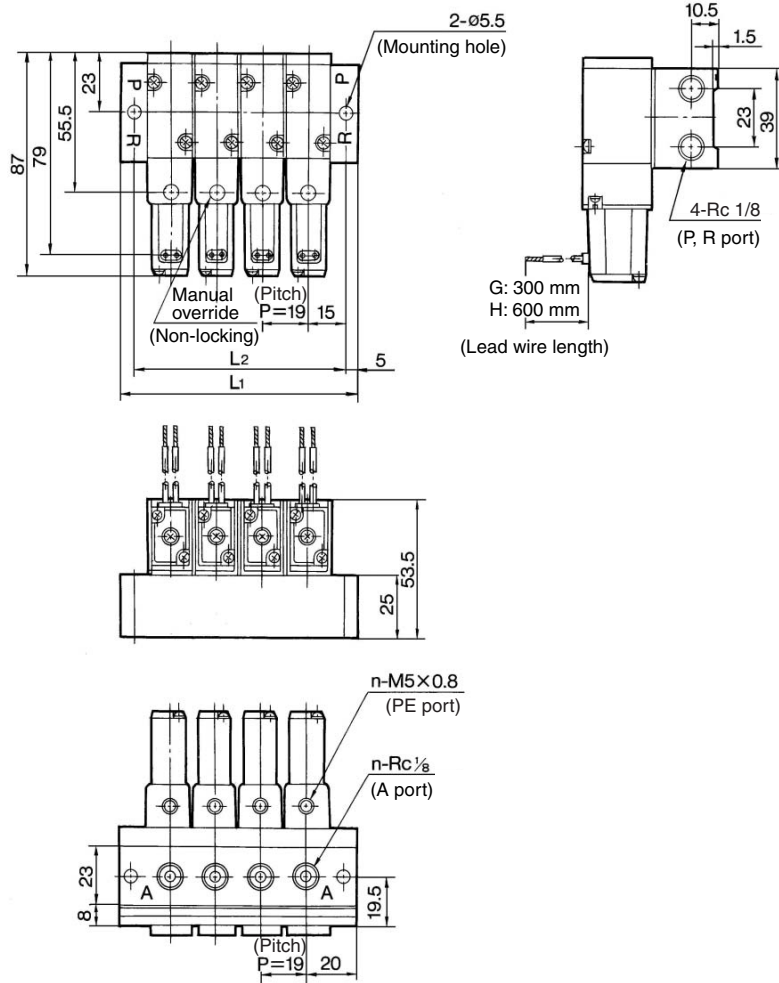


□: With light/surge voltage suppressor

Series VZ500

For Internal Pilot
Type 40 Manifold: Bottom Ported

VV3Z5-40- Stations 2-01
Grommet (G), (H)

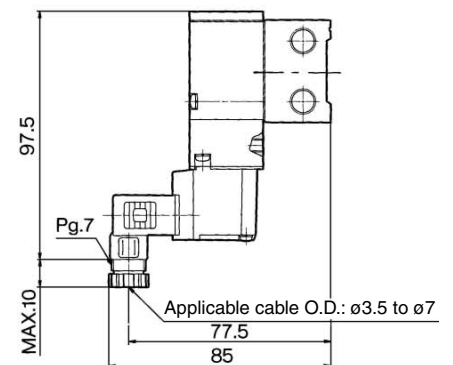
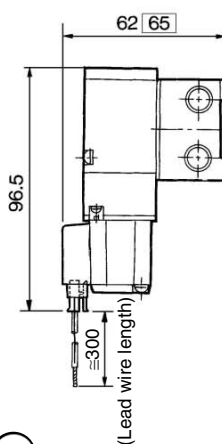
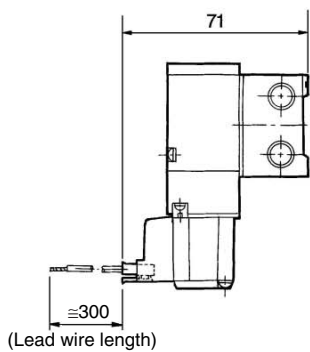


Stations n	2	3	4	5	6	7	8	9	10	11	12	13	14	15	16	17	18	19	20
L ₁	59	78	97	116	135	154	173	192	211	230	249	268	287	306	325	344	363	382	401
L ₂	49	68	87	106	125	144	163	182	201	220	239	258	277	296	315	334	353	372	391

L plug connector (L)

M plug connector (M)

DIN terminal (D)

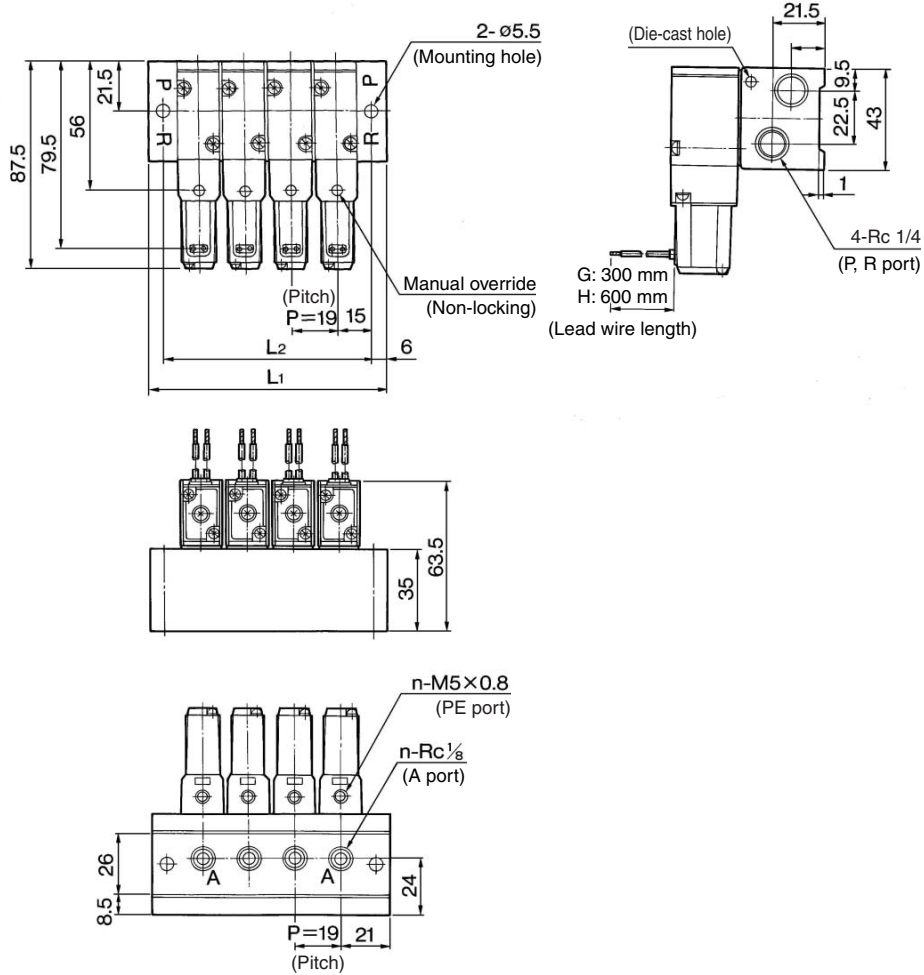


□: With light/surge voltage suppressor

3 Port Solenoid Valve Rubber Seal, Body Ported/Base Mounted **Series VZ500**

**For Internal Pilot
Type 41 Manifold: Bottom Ported**

**VV3Z5-41- Stations 2-01
Grommet (G), (H)**



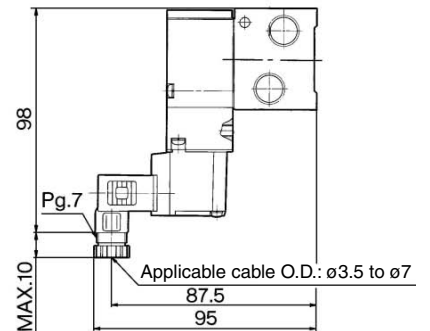
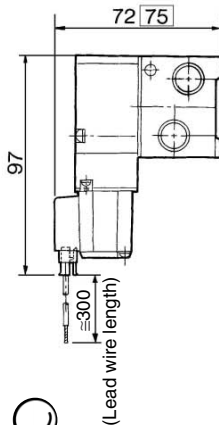
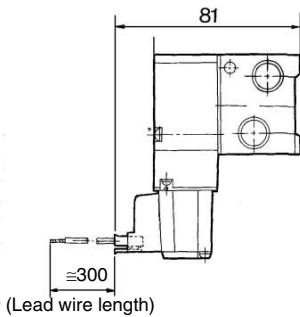
- V100
- SY
- SYJ
- VK
- VZ**
- VT
- VP
- VG
- VP
- S070
- VQ
- VKF
- VQZ
- VZ
- VS
- VFN

Stations n	2	3	4	5	6	7	8	9	10	11	12	13	14	15	16	17	18	19	20
L ₁	61	80	99	118	137	156	175	194	213	232	251	270	289	308	327	346	365	384	403
L ₂	49	68	87	106	125	144	163	182	201	220	239	258	277	296	315	334	353	372	391

L plug connector (L)

M plug connector (M)

DIN terminal (D)

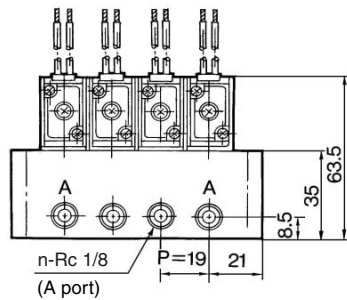
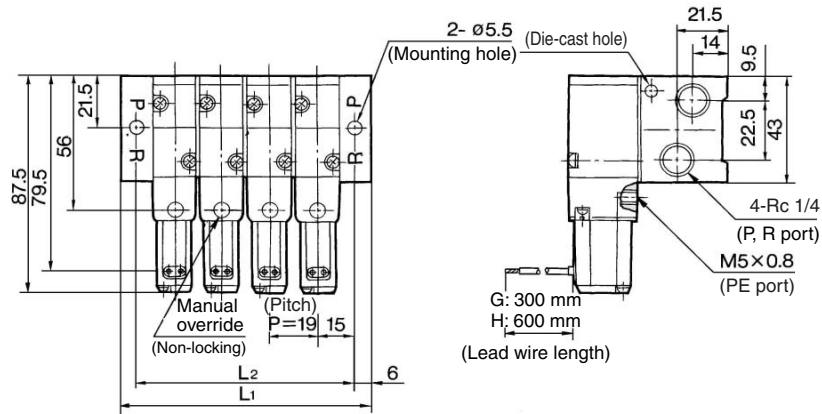


□: With light/surge voltage suppressor

Series VZ500

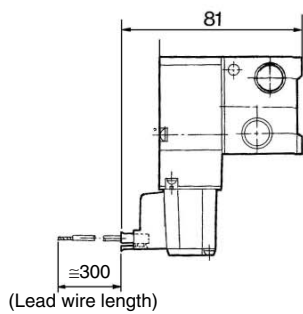
For Internal Pilot
Type 41 Manifold: Side Ported

VV3Z5-41- Stations 1-01
Grommet (G), (H)

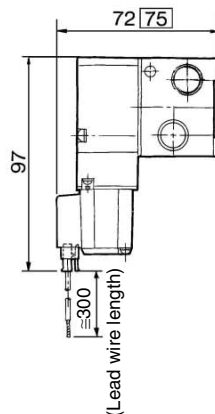


Stations n	2	3	4	5	6	7	8	9	10	11	12	13	14	15	16	17	18	19	20
L ₁	61	80	99	118	137	156	175	194	213	232	251	270	289	308	327	346	365	384	403
L ₂	49	68	87	106	125	144	163	182	201	220	239	258	277	296	315	334	353	372	391

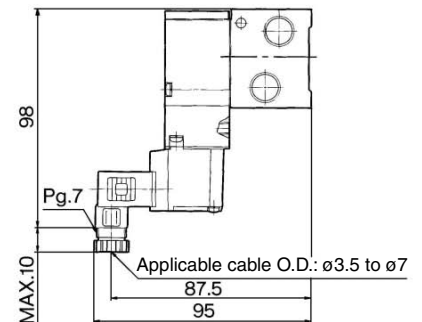
L plug connector (L)



M plug connector (M)



DIN terminal (D)

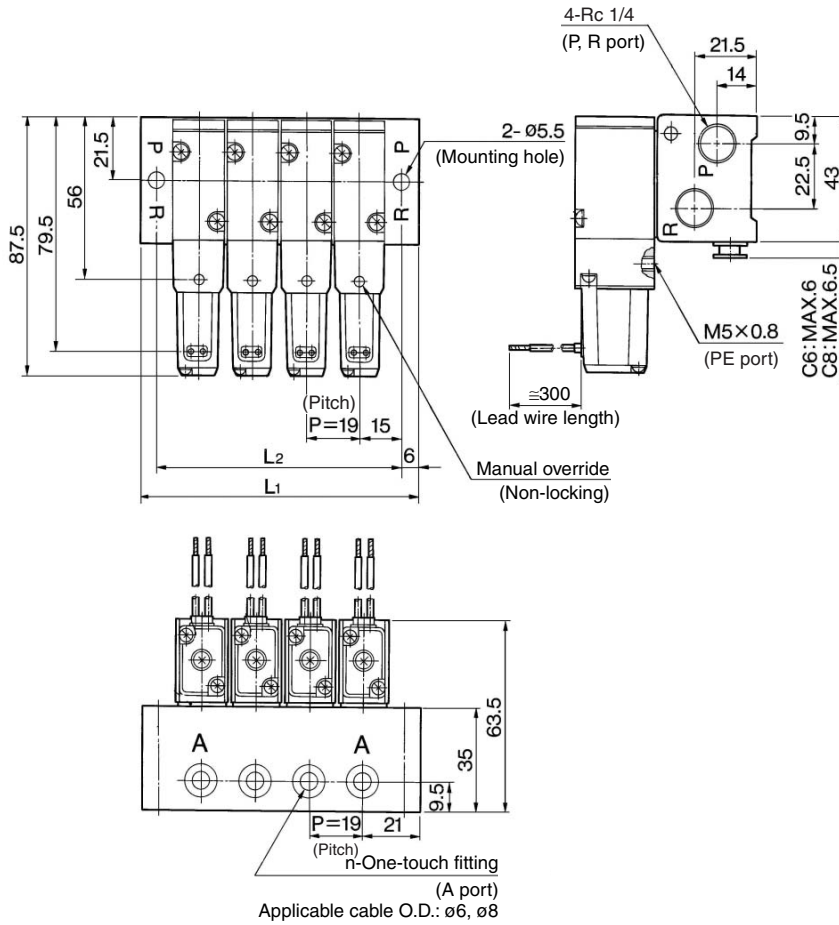


□: With light/surge voltage suppressor

3 Port Solenoid Valve Rubber Seal, Body Ported/Base Mounted **Series VZ500**

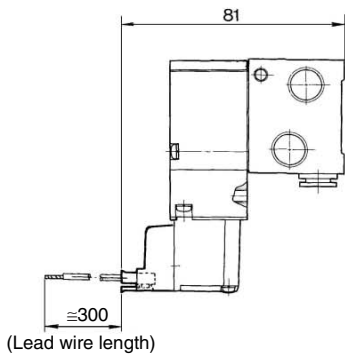
**For Internal Pilot
Type 41 Manifold: Side Ported**

VV3Z5-41- Stations 1-C6, C8
Grommet (G), (H)

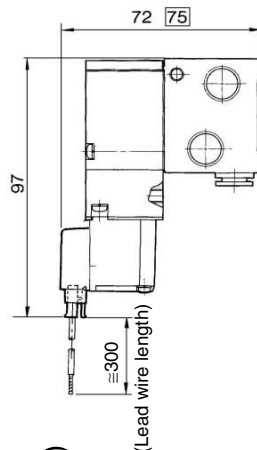


Stations n	2	3	4	5	6	7	8	9	10	11	12	13	14	15	16	17	18	19	20
L ₁	61	80	99	118	137	156	175	194	213	232	251	270	289	308	327	346	365	384	403
L ₂	49	68	87	106	125	144	163	182	201	220	239	258	277	296	315	334	353	372	391

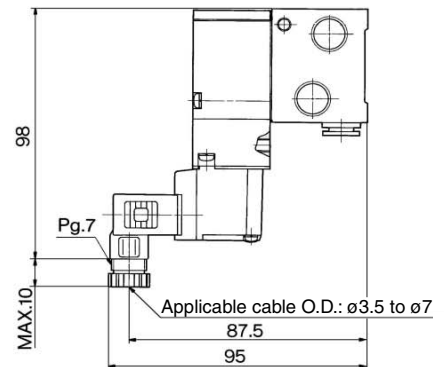
L plug connector (L)



M plug connector (M)



DIN terminal (D)



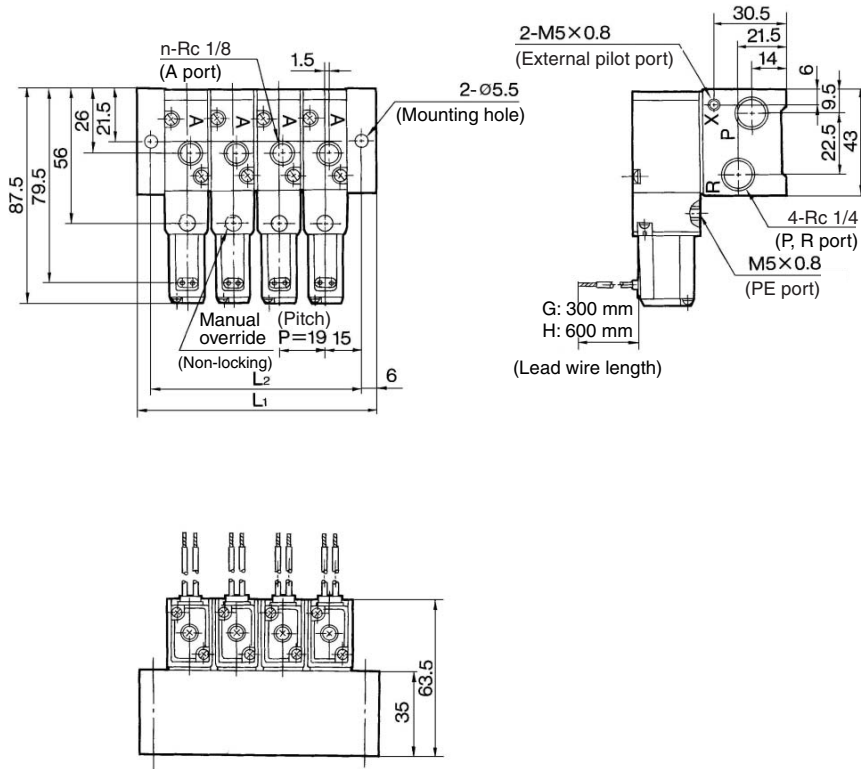
□: With light/surge voltage suppressor

- V100
- SY
- SYJ
- VK
- VZ**
- VT
- VP
- VG
- VP
- S070
- VQ
- VKF
- VQZ
- VZ
- VS
- VFN

Series VZ500

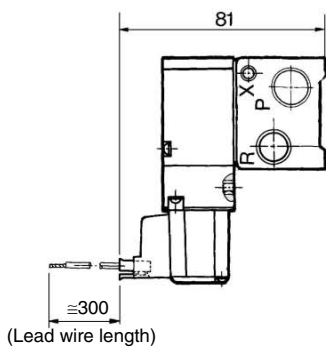
For Internal Pilot
Type 21R Manifold: Top Ported

VV3Z5-21R- Stations 1
Grommet (G), (H)

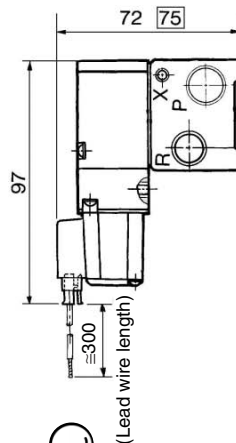


Stations n	2	3	4	5	6	7	8	9	10	11	12	13	14	15	16	17	18	19	20
L ₁	61	80	99	118	137	156	175	194	213	232	251	270	289	308	327	346	365	384	403
L ₂	49	68	87	106	125	144	163	182	201	220	239	258	277	296	315	334	353	372	391

L plug connector (L)

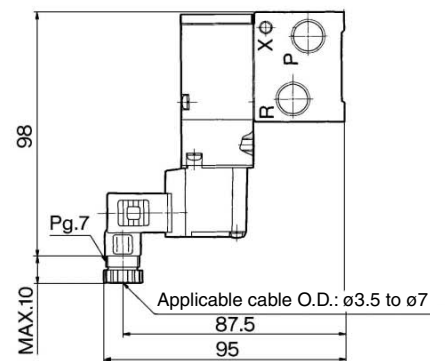


M plug connector (M)



□: With light/surge voltage suppressor

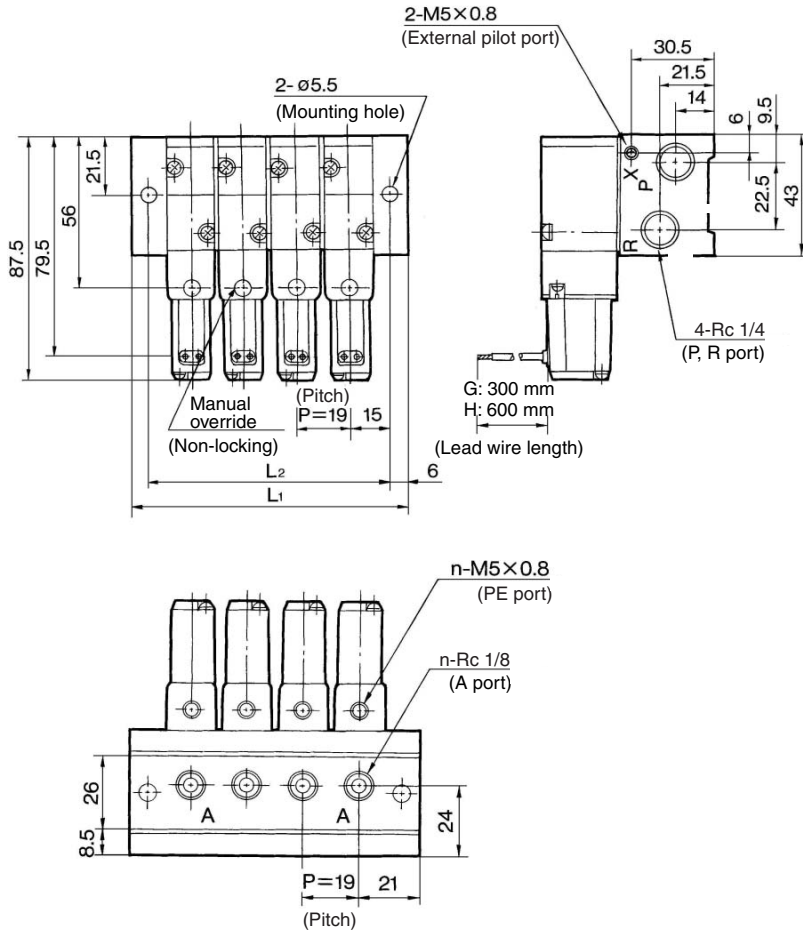
DIN terminal (D)



3 Port Solenoid Valve Rubber Seal, Body Ported/Base Mounted **Series VZ500**

**For Internal Pilot
Type 41R Manifold: Bottom Ported**

**VV3Z5-41R- Stations 2-01
Grommet (G), (H)**

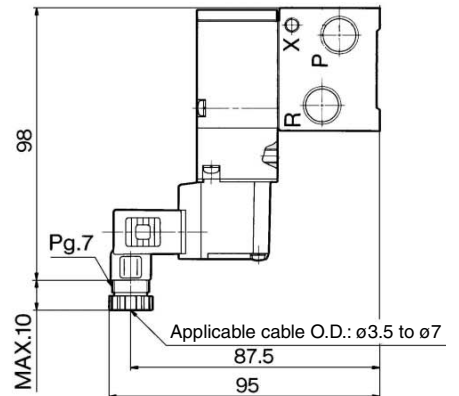
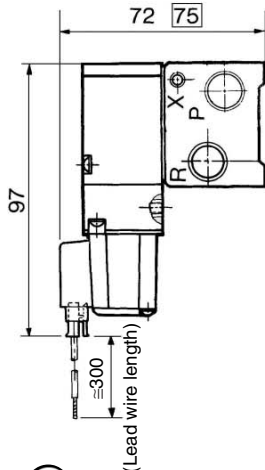
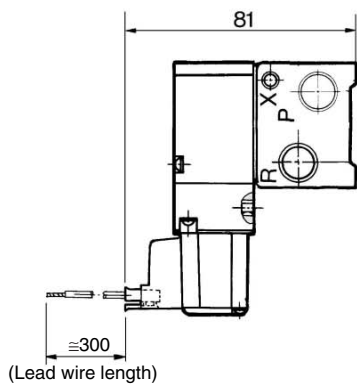


Stations n	2	3	4	5	6	7	8	9	10	11	12	13	14	15	16	17	18	19	20
L ₁	61	80	99	118	137	156	175	194	213	232	251	270	289	308	327	346	365	384	403
L ₂	49	68	87	106	125	144	163	182	201	220	239	258	277	296	315	334	353	372	391

L plug connector (L)

M plug connector (M)

DIN terminal (D)



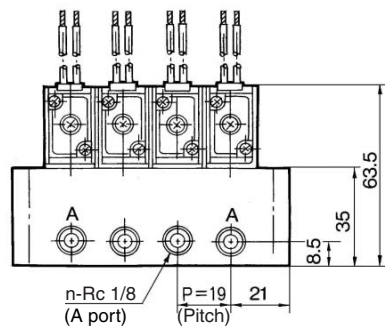
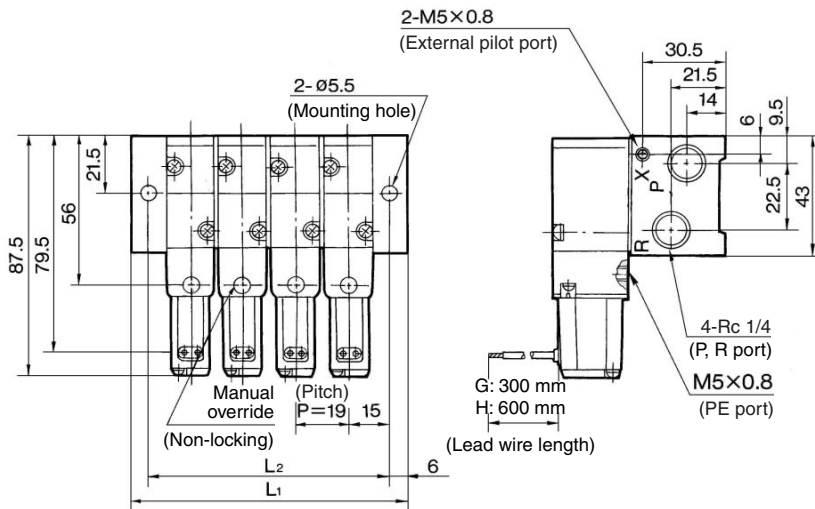
□: With light/surge voltage suppressor

- V100
- SY
- SYJ
- VK
- VZ**
- VT
- VP
- VG
- VP
- S070
- VQ
- VKF
- VQZ
- VZ
- VS
- VFN

Series VZ500

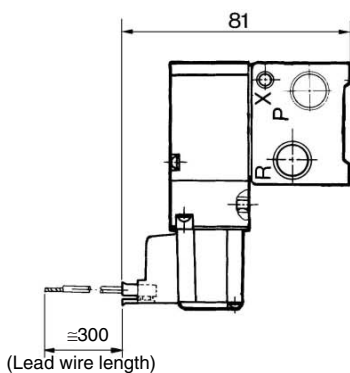
For Internal Pilot
Type 41R Manifold: Side Ported

VV3Z5-41R- Stations 1-01
Grommet (G), (H)

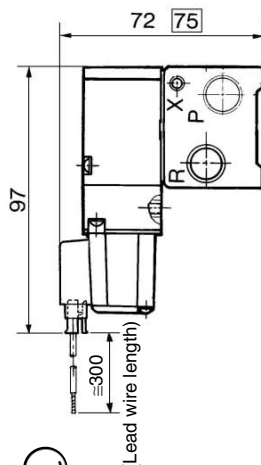


Stations n	2	3	4	5	6	7	8	9	10	11	12	13	14	15	16	17	18	19	20
L ₁	61	80	99	118	137	156	175	194	213	232	251	270	289	308	327	346	365	384	403
L ₂	49	68	87	106	125	144	163	182	201	220	239	258	277	296	315	334	353	372	391

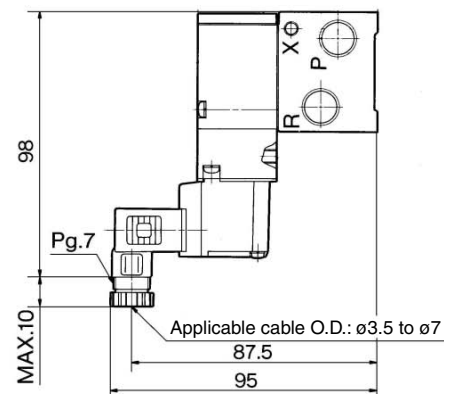
L plug connector (L)



M plug connector (M)



DIN terminal (D)

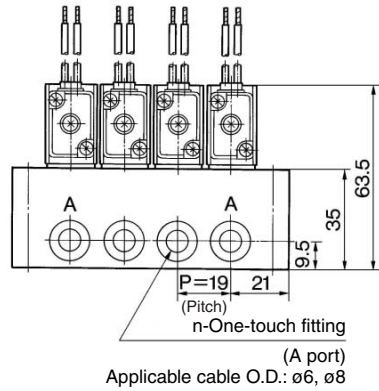
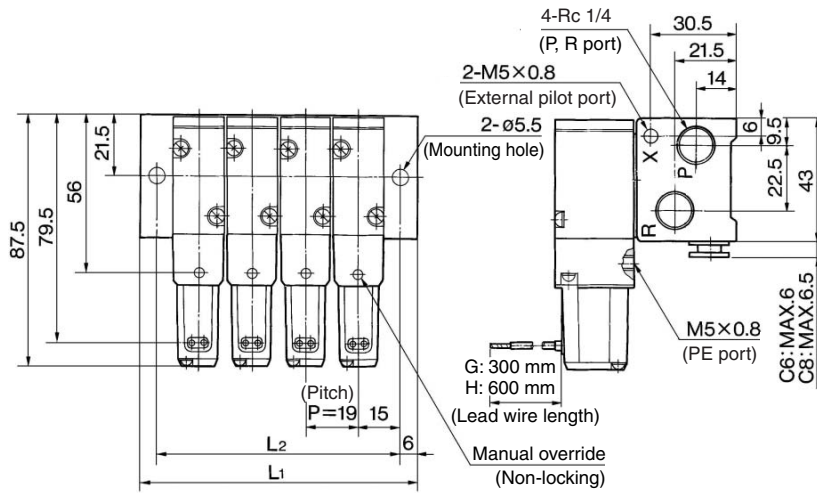


□: With light/surge voltage suppressor

3 Port Solenoid Valve Rubber Seal, Body Ported/Base Mounted **Series VZ500**

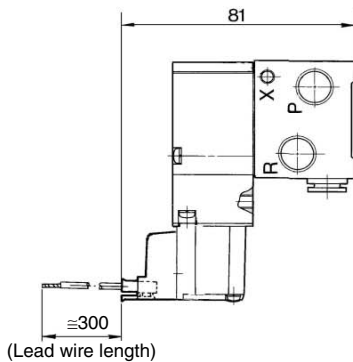
**For Internal Pilot
Type 41R Manifold: Side Ported**

**VV3Z5-41R- Stations 1-C6/C8
Grommet (G), (H)**

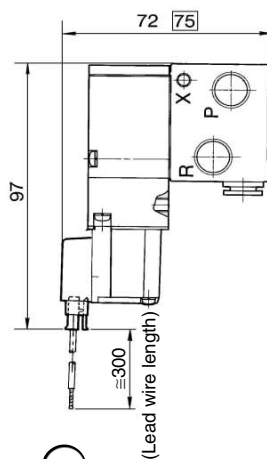


Stations n	2	3	4	5	6	7	8	9	10	11	12	13	14	15	16	17	18	19	20
L ₁	61	80	99	118	137	156	175	194	213	232	251	270	289	308	327	346	365	384	403
L ₂	49	68	87	106	125	144	163	182	201	220	239	258	277	296	315	334	353	372	391

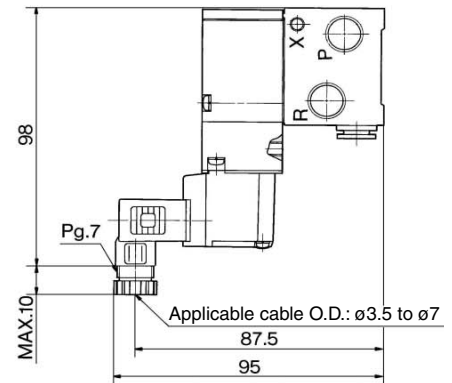
L plug connector (L)



M plug connector (M)



DIN terminal (D)



□: With light/surge voltage suppressor

- V100
- SY
- SYJ
- VK
- VZ**
- VT
- VP
- VG
- VP
- S070
- VQ
- VKF
- VQZ
- VZ
- VS
- VFN

Series VZ

Made to Order Specifications:

1. Solenoid Valve: Opposite Mounting of Solenoid Assembly

Applicable solenoid valve series

VZ100/300/500

Model no.

VZ1 0 - (-) - X1

VZ₅³ - (-) - X1

• Entry is the same as standard products.

2. Solenoid Valve: External Pilot Specifications

● Applicable for individual use of body ported external pilot type

Applicable solenoid valve series

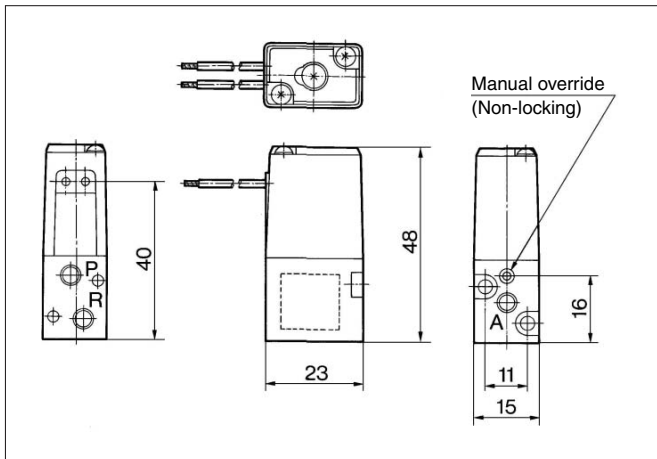
VZ300/500

Model no.

VZ₅³ 2R - (-) - X20

• Entry is the same as standard products.

Dimensions: VZ110-□G-M5-X1



Specifications

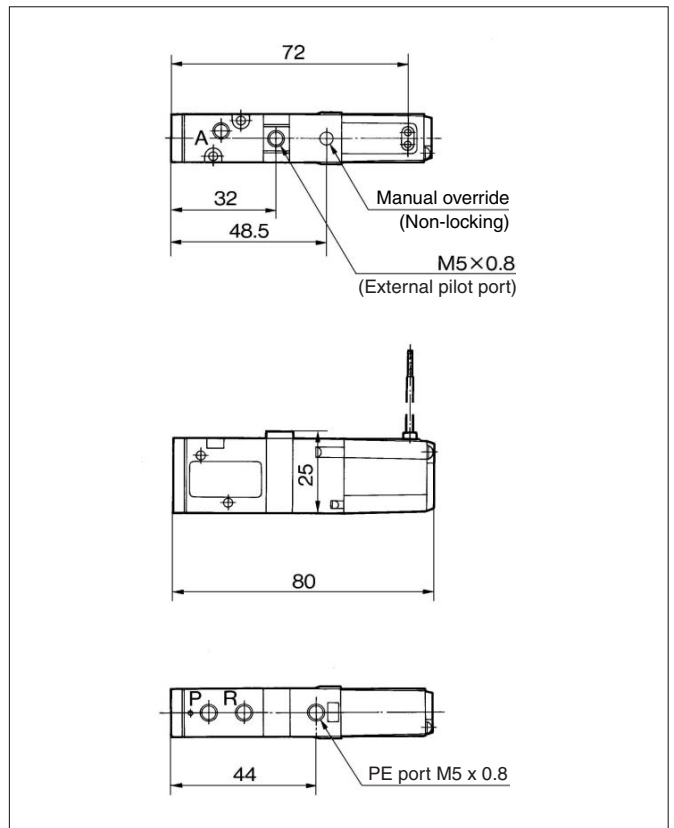
Operating pressure range (MPa)	Main pressure	-100 kPa to 0.7
	External pilot pressure	0.15 to 0.7
Pilot exhaust method	Pilot valve individual exhaust	

Dimensions

VZ300: 8 mm longer in total length

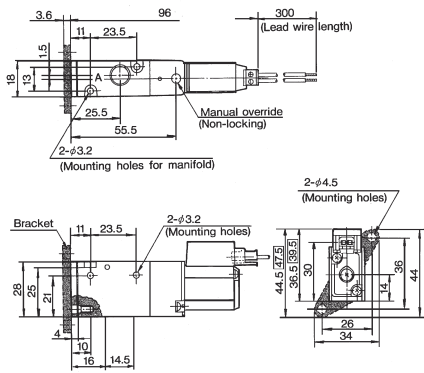
VZ500: 8 mm longer in total length

Dimensions: VZ312R-□G-M5-X20



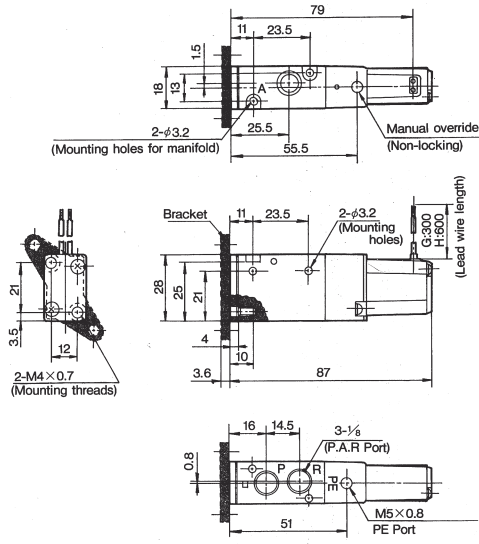
DIMENSIONS

SERIES (N)VZ500 BODY PORTED MN PLUG TYPE



DIMENSIONS

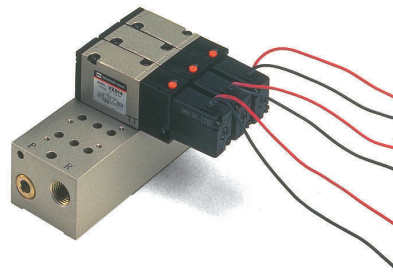
SERIES (N)VZ500 BODY PORTED GROMMET TYPE



SERIES (N)VZ500 MANIFOLDS

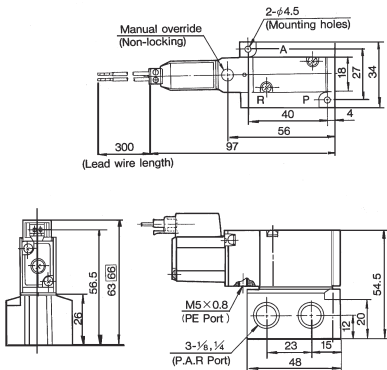
A Single Sub Base and 3 Different Manifold Design.

- (i) Side Entry Single Sub-base for use with the Base Mounted Valve (Type 40).
- (ii) 2-10 Station Type 21 Manifold for use with the Body Ported Valve (Type 20).
- (iii) 2-10 Station Type 41 Side Entry Manifold for use with the Base Mounted Valve (Type 40).
- (iv) 2 - 10 Station Type 41 Bottom Entry Manifold for use with the Base Mounted Valve (Type 40).



DIMENSIONS

SINGLE SUB-BASE SIDE PORTED TYPE M



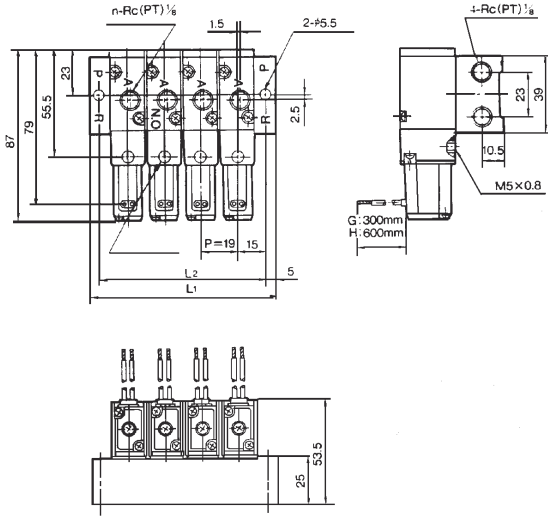
SEE INSIDE FRONT COVER FOR
DETAILS OF YOUR LOCAL SALES OFFICE



FOR FURTHER TECHNICAL
DETAILS ON THIS
PRODUCT, REQUEST
CATALOG REFERENCE
E120

DIMENSIONS

MANIFOLD TYPE 20 TOP PORTED GROMMET TYPE



Stations (n)	2	3	4	5	6	7	8	9	10
L ₁	59	78	97	116	135	154	173	192	211
L ₂	49	68	87	106	125	144	163	182	201

**How To
ORDER**

MANIFOLD TYPE 20 TOP PORTED



NUMBER OF STATIONS
02 ...2 Stations
to
20 ...20 Stations

THREAD TYPE
-PT
00T ...NPTF

FOR FURTHER TECHNICAL INFORMATION
ON THIS SERIES, REQUEST CAT:E120

ACCESSORIES

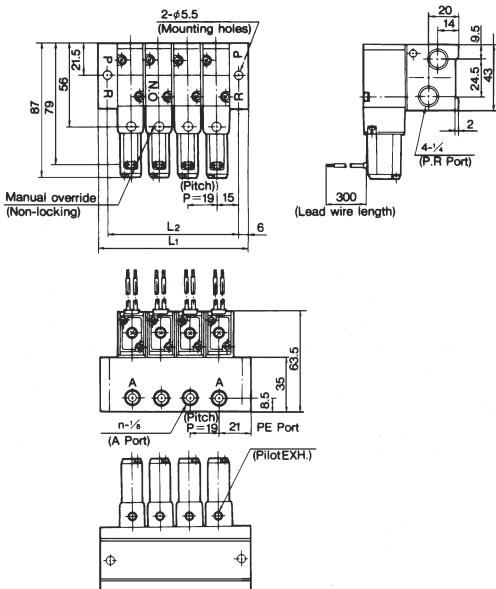
MANIFOLD TYPE 20 TOP PORTED

DXT201-15-1ABlanking Plate Kit

FOR FURTHER TECHNICAL INFORMATION
ON THIS SERIES, REQUEST CAT:E120

DIMENSIONS

MANIFOLD TYPE 41 SIDE PORTED GROMMET TYPE



Stations (n)	2	3	4	5	6	7	8	9	10
L ₁	61	80	99	118	137	156	175	194	213
L ₂	49	68	87	106	125	144	163	182	201

**How To
ORDER**

MANIFOLD TYPE 41 SIDE PORTED



NUMBER OF STATIONS
02 ...2 stations
to
20 ...20 stations

SIZE OF A, B PORT
01T ...1/8" NPTF
B7T ...One Touch Fitting 1/4"
B9T ...One Touch Fitting 5/16"

ACCESSORIES

MANIFOLD TYPE 41 SIDE PORTED

DXT201-15-1ABlanking Plate Pit

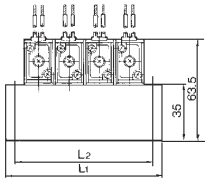
FOR FURTHER TECHNICAL INFORMATION
ON THIS SERIES, REQUEST CAT:E120



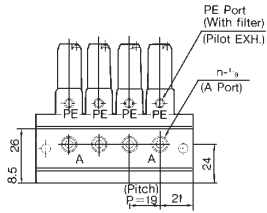
FOR FURTHER TECHNICAL
DETAILS ON THIS
PRODUCT, REQUEST
CATALOG REFERENCE
E120

DIMENSIONS

MANIFOLD TYPE 41 BOTTOM PORTED GROMMET TYPE



FOR ALL OTHER
DETAILS, REFER TO
TYPE 41 SIDE PORTED
MANIFOLD.



Stations (n)	2	3	4	5	6	7	8	9	10
L ₁	61	80	99	118	137	156	175	194	213
L ₂	49	68	87	106	125	144	163	182	201

HOW TO ORDER

MANIFOLD TYPE 41 BOTTOM PORTED

(N)VZ500-41-2-01T

NUMBER OF STATIONS

02 ...2 Stations
to
20 ...20 Stations

THREAD TYPE

-PT
TNPTF

ACCESSORIES

MANIFOLD TYPE 41 BOTTOM PORTED

DXT201-15-1ABlanking Plate Kit

FOR FURTHER TECHNICAL INFORMATION
ON THIS SERIES, REQUEST CAT:E120

