

2-Color Display Digital Pressure Switch

Series ZSE80(F)/ISE80(H)



Stainless diaphragm

Oil-free (Single-layer diaphragm structure)

IP65 compliant

Sensor parts: **Stainless steel 630**

Fitting parts: **Stainless steel 304**

The sensor and fitting parts can be made to order with stainless steel 316L.



ZSE
ISE
ZSP
PS
ISA
PSE
IS
ISG
ZSM

2-color display

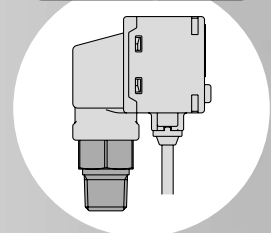
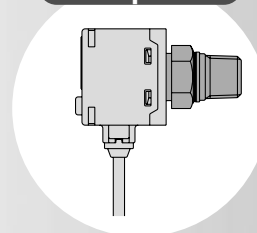
Irregular value at a glance



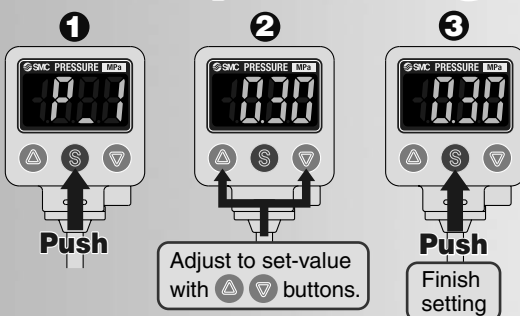
Choice of 2 piping directions

Rear ported

Bottom ported



3-step setting



Rated pressure range

0.0 to -101.0 kPa and -0.100 to 2.00 MPa introduced to series

RoHS compliant

Leakage

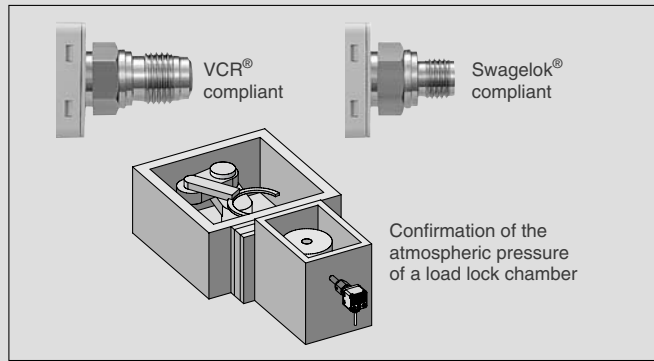
- Sensor and fitting parts are electron-beam welded.
- Choice of VCR® or Swagelok® fitting is available.

1 x 10⁻¹⁰ Pa·m³/s

<VCR®- and Swagelok®-fitting compliant>

1 x 10⁻⁵ Pa·m³/s

<Threaded type (R, Rc, NPT, G)>



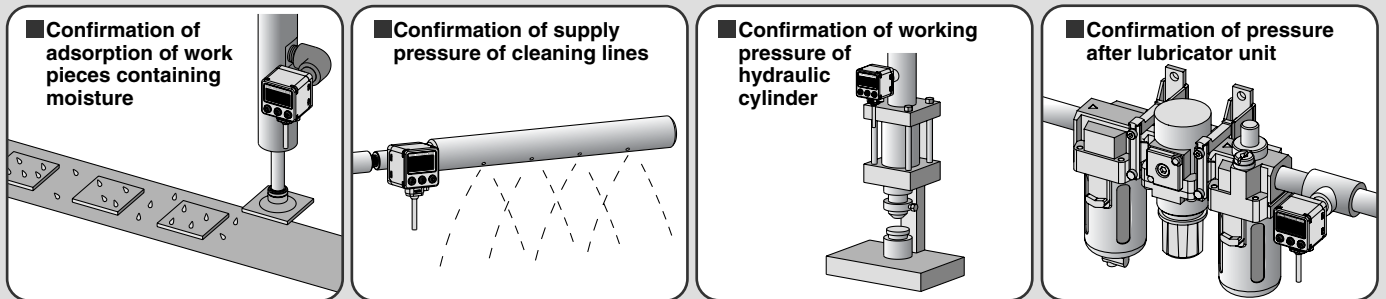
Confirmation of the atmospheric pressure of a load lock chamber

* VCR® and Swagelok® are registered trademarks of Swagelok Company.

Applicable Fluid Examples

- Water
- Hydraulic fluid (JIS-K2213)
- Silicon oil (JIS-K2213)
- Lubricant (JIS-K6301)
- Fluorocarbon
- Argon
- Ammonia
- Carbon dioxide
- Air-containing drainage
- Nitrogen

Applications



Restrictor installed fitting type (-X510) **Made to Order**

A pressure switch that has a restrictor installed in the fitting is available so that it prevents the sensor from being damaged by water collision with rush inertia. (Refer to page 743 for details.)

Variations

Series	ZSE80	ZSE80F	ISE80	ISE80H
Easy color distinction by pressure range				
Rated pressure range	0.0 to -101.0 kPa 	-100.0 to 100.0 kPa 	-0.100 to 1.000 MPa 	-0.100 to 2.00 MPa 2 MPa
Withstand pressure	500 kPa		2 MPa	4 MPa
Minimum unit setting	0.1 kPa		0.001 MPa	
Repeatability	±0.2%F.S. ±1 digit			

2-color display (LCD)

Can select from 4 indicator patterns of color combinations.

	ON	OFF
①	Red	Green
②	Green	Red
③	Red	Red
④	Green	Green

Output display

It lights when OUT1 or OUT2 outputs.

Convex rubber button

Convex button is adopted and provides IP65 rating. Improved maneuverability and operability.

Lead wire length

- 2 m (Standard)
- 3 m (Made to Order)

Piping

Rc1/8 (female threaded) is now available.

- R1/4 (M5 x 0.8 female threaded)
- NPT1/4 (M5 x 0.8 female threaded)
- G1/4 (M5 x 0.8 female threaded)

Rc1/8

- URJ1/4 (VCR® fitting compliant)
- TSJ1/4 (Swagelok® fitting compliant)

Output

Analog current output is newly added.

- Advantageous when it is wired for a long distance.
- It is resistant against noise.
- NPN open collector 1 output
- PNP open collector 1 output
- NPN open collector 2 outputs
- PNP open collector 2 outputs
- NPN open collector 2 outputs + Analog voltage output/Auto-shift switching
- PNP open collector 2 outputs + Analog voltage output/Auto-shift switching
- NPN open collector 2 outputs + Analog current output/Auto-shift switching
- PNP open collector 2 outputs + Analog current output/Auto-shift switching

Secret code setting

This ensures that only authorized persons can operate the switch when the key is locked.



Input an arbitrary three-digit value.

* The set-value can be confirmed even when the key is locked.

Resolution switching function

It prevents minor variation of the indicated value.



(Only the indicated value changes without changing precision.)

Power-saving mode

Turning off the display can save power consumption. (Power consumption: Max. 18% reduced)



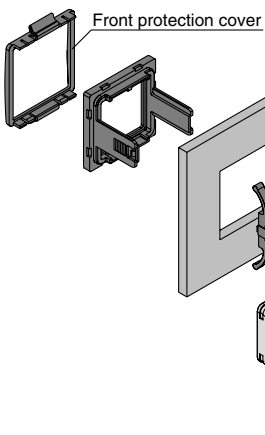
The numerical value disappears and the decimal points blink.

MPa/kPa switching function

The indication unit for vacuum, compound pressure and positive pressure can be integrated into either MPa or kPa.

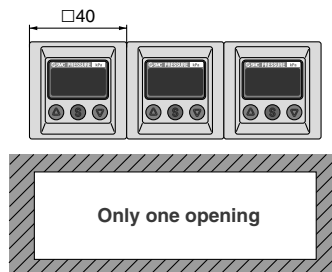


Panel mount

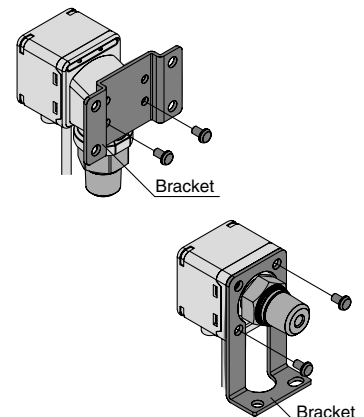


Suitable for side-by-side mounting

- Requires less installation space and panel cutting.



Bracket mount



2-Color Display Digital Pressure Switch For General Fluids



Series ZSE80/ISE80

How to Order



For positive pressure

ISE 80 - 02 - N - M

For vacuum/
compound pressure

ZSE 80 - 02 - N - M

Rated pressure range

80	-0.1 to 1 MPa
80H	-0.1 to 2 MPa

Made to Order
Refer to Table 1 below.

Rated pressure range

80	0 to -101 kPa
80F	-100 to 100 kPa

Piping

Symbol	Thread	Porting
02	R1/4 (M5 female threaded)	Rear ported
N02	NPT1/4 (M5 female threaded)	Rear ported
F02	G1/4 (M5 female threaded)	
C01	Rc1/8	Bottom ported
A2	URJ1/4	
B2	TSJ1/4	
02L	R1/4 (M5 female threaded)	
N02L	NPT1/4 (M5 female threaded)	Bottom ported
C01L	Rc1/8	
A2L	URJ1/4	
B2L	TSJ1/4	

Input/Output

N	NPN open collector 1 output
P	PNP open collector 1 output
A	NPN open collector 2 outputs
B	PNP open collector 2 outputs
R	NPN open collector 2 outputs + Analog voltage output/Auto-shift switching
T	PNP open collector 2 outputs + Analog voltage output/Auto-shift switching
S	NPN open collector 2 outputs + Analog current output/Auto-shift switching
V	PNP open collector 2 outputs + Analog current output/Auto-shift switching



Table 1
Made to Order

Symbol	Specifications
-X500 (Note)	Wetted parts: Stainless steel 316L
-X501	Lead wire length 3 m
-X510	Restrictor installed fitting

(Note) Not applicable to the rated pressure range 0 to 2 MPa specification. Refer to page 743 for detail.

Option

Option	Piping direction	Part no.
Bracket	Rear ported	ZS-24-A
	Rear ported	ZS-24-D
	Bottom ported	ZS-35-A
Panel mount	Rear ported	ZS-35-C
	Bottom ported	ZS-35-B
Panel mount + Front protection cover	Rear ported	ZS-35-F
	Bottom ported	ZS-35-E

Option 3

Symbol	Operating manual	Note	Calibration certificate	Symbol	Operating manual	Note	Calibration certificate
Nil	● (Booklet)	—	—	K	● (Booklet)	—	●
Y	—	—	—	T	—	—	●
W	● (CD-ROM)	—	—	R	● (CD-ROM)	—	●

(Note) All texts in both English and Japanese

Option 1

Nil	With unit display switching function
M	Fixed SI unit (Note)
P	Initial value psi

(Note) Fixed unit ISE80H: MPa
Others : MPa, kPa

Option 2

Nil	None
A	With bracket
B	With bracket (Note)
C	Panel mount
D	Panel mount + Front protection cover

(Note) Rear ported only

2-Color Display Digital Pressure Switch *Series ZSE80/ISE80*

For General Fluids

Specifications

Model		ZSE80 (Vacuum pressure)	ZSE80F (Compound pressure)	ISE80 (Positive pressure)	ISE80H (Positive pressure)	
Rated pressure range		0.0 to -101.0 kPa	-100.0 to 100.0 kPa	-0.100 to 1.000 MPa	-0.100 to 2.00 MPa	
Set pressure range		10.0 to -111.0 kPa	-110.0 to 110.0 kPa	-0.105 to 1.100 MPa	-0.105 to 2.20 MPa	
Withstand pressure		500 kPa		2 MPa	4 MPa	
Wetted parts material		Pressure sensor: Stainless steel 630, Fitting: Stainless steel 304				
Applicable fluid		Fluids do not corrode stainless steel 630 and 304				
Port size		R1/4, NPT1/4, G1/4*, URJ1/4, TSJ1/4, Rc1/8 Piping direction: Rear/Bottom				
Power supply voltage		12 to 24 VDC ±10%, Ripple (p-p) 10% or less (with power supply polarity protection)				
Current consumption		45 mA or less				
Switch output		NPN 1 output, NPN 2 outputs, PNP 1 output, PNP 2 outputs				
		Maximum load current		80 mA		
		Maximum load voltage		28 V (at NPN output)		
		Residual voltage		1 V or less (with load current of 80 mA)		
		Response time		2.5 ms (with anti-chattering function: 20, 100, 500, 1000, 2000 ms)		
Short circuit protection		Yes				
Repeatability		±0.2% F.S. ±1 digit				
Hysteresis		Hysteresis mode		Variable (0 or above)		
		Window comparator mode				
Analog output		Voltage output	Output voltage (Rated pressure range)	1 to 5 V ±2.5% F.S.	0.6 to 5 V ±2.5% F.S.	0.8 to 5 V ±2.5% F.S.
			Linearity	±1% F.S. or less		
			Output impedance	Approx. 1 kΩ		
		Current output	Output current (Rated pressure range)	4 to 20 mA ±2.5% F.S.	2.4 to 20 mA ±2.5% F.S.	3.2 to 20 mA ±2.5% F.S.
			Linearity	±1% F.S. or less		
			Load impedance	Maximum load impedance: 300 Ω (Power supply voltage 12 V) 600 Ω (Power supply voltage 24 V) Minimum load impedance: 50 Ω		
Auto-shift input		Non-voltage input (Reed or Solid state), Low level: 0.4 V or less, 5 ms or longer input				
Display		3 1/2-digit, 7-segment, 2-color LCD (Red/Green)				
Display accuracy		±2% F.S. ±1 digit (Ambient temperature of 25 ±3°C)				
Indicator light		Lights up when output is turned ON. OUT1, OUT2: Orange				
Function		Anti-chattering, Zero-out, Key lock function, Auto-preset, Auto-shift, Unit display switching, Power-saving mode				
Environment resistance		Enclosure		IP65		
		Operating temperature range		Operating: 0 to 50°C, Stored: -10 to 60°C (No freezing or condensation)		
		Operating humidity range		Operating/Stored: 35 to 85% RH (No condensation)		
		Withstand voltage		250 VAC for 1 minute between live parts and case		
		Insulation resistance		2 MΩ or more between live parts and case (at 50 VDC Mega)		
Vibration resistance		10 to 150 Hz at whichever is smaller of 1.5 mm amplitude or 20 m/s ² acceleration, in X, Y, Z directions, for 2 hours each (De-energized)				
Impact resistance		100 m/s ² in X, Y, Z directions, 3 times each (De-energized)				
Temperature characteristics		±3% F.S. (Based on 25°C, within operating temperature range)				
Lead wire		Oilproof heavy-duty vinyl cable, 3 cores (N.P)		ø3.5, 2 m		
		4 cores (A.B)		Conductor area: 0.15 mm ² (AWG26)		
		5 cores (R.T.S.V)		Insulator O.D.: 0.95 mm		
Standards		CE marking, UL/CSA, RoHS compliance				

* G1/4 is available for rear ported only.

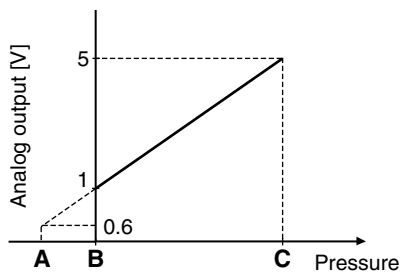
Piping Specifications

Model	O2	N02	F02	C01	A2	B2
Port size	R1/4	NPT1/4	G1/4	Rc1/8	URJ1/4	TSJ1/4
Mass (Bottom ported)	117 g	118 g	—	114 g	120 g	111 g
Mass (Rear ported)	89 g	90 g	86 g	86 g	92 g	83 g
Leakage	1 x 10 ⁻⁵ Pa·m ³ /s			1 x 10 ⁻¹⁰ Pa·m ³ /s		

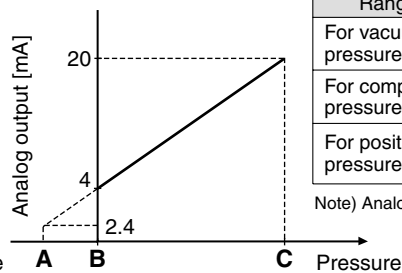
Series ZSE80/ISE80

Analog Output

Voltage output



Current output



Range	Rated pressure range	A	B	C
For vacuum pressure	0.0 to -101.0 kPa	10.1 kPa	0	-101.0 kPa
For compound pressure	-100.0 to 100.0 kPa	—	-100.0 kPa	100.0 kPa
For positive pressure	-0.100 to 1.000 MPa	-0.100 MPa	0	1.000 MPa
	-0.100 to 2.00 MPa	-0.100 MPa ^{Note)}	0	2.00 MPa

Note) Analog output is 0.8 [V] or 3.2 [mA] at the pressure A.

Descriptions

Output (OUT1) display (Orange)

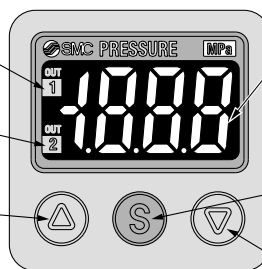
Lights up when OUT1 is turned ON.

Output (OUT2) display (Orange)

Lights up when OUT2 is turned ON.

△ button

Use this button to select the mode or increase the ON/OFF set-value.
It is also used for switching to the peak display mode.



LCD

Displays the current pressure, set mode, selected display unit, and error code. Always use red or green display; or switch between green and red according to the output. Four different display settings are available.

SET button

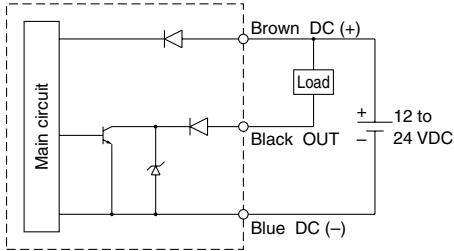
Use this button to change the mode or confirm the set-value.

▽ button

Use this button to select the mode or decrease the ON/OFF set-value.
It is also used for switching to the bottom display mode.

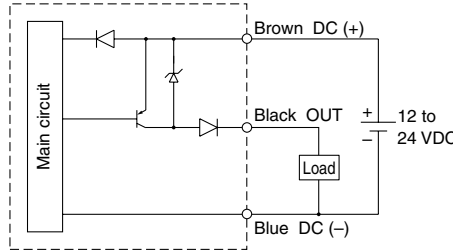
Internal Circuits and Wiring Examples

-N
NPN (1 output)



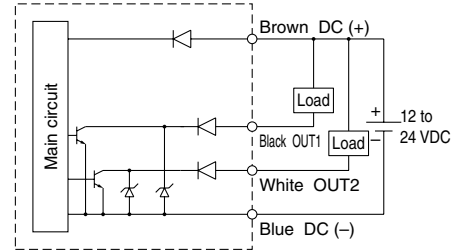
Max. 28V, 80 mA
Residual voltage 1 V or less

-P
PNP (1 output)



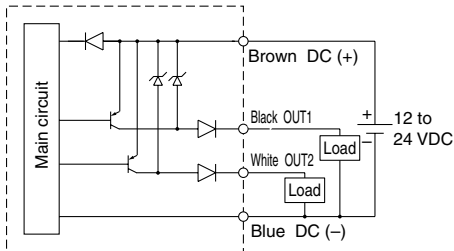
Max. 80 mA
Residual voltage 1 V or less

-A
NPN (2 outputs)



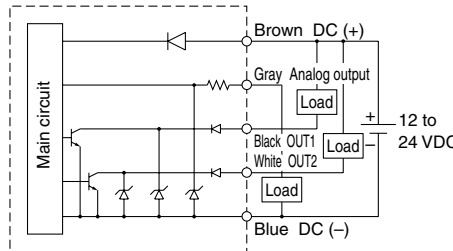
Max. 28V, 80 mA
Residual voltage 1 V or less

-B
PNP (2 outputs)



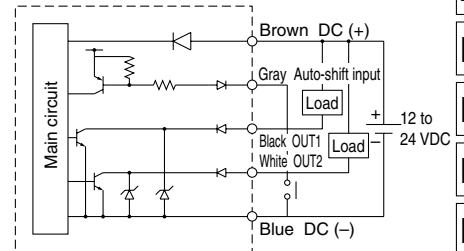
Max. 80 mA
Residual voltage 1 V or less

-R
NPN (2 outputs) +
Analog voltage output



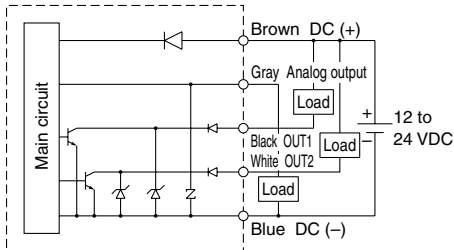
Max. 28V, 80 mA
Residual voltage 1 V or less

-R/S
NPN (2 outputs) +
Auto-shift input



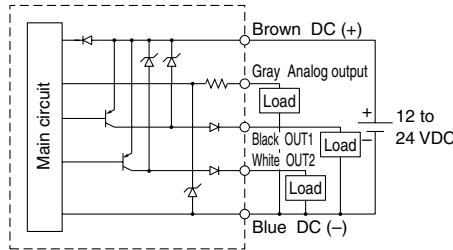
Max. 28V, 80 mA
Residual voltage 1 V or less

-S
NPN (2 outputs) +
Analog current output



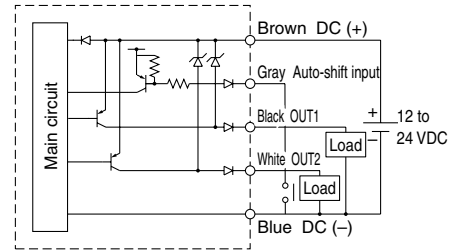
Max. 28V, 80 mA
Residual voltage 1 V or less

-T
PNP (2 outputs) +
Analog voltage output



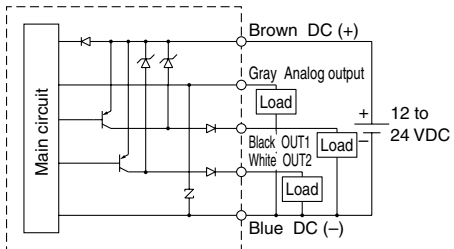
Max. 80 mA
Residual voltage 1 V or less

-T/V
PNP (2 outputs) +
Auto-shift input



Max. 80 mA
Residual voltage 1 V or less

-V
PNP (2 outputs) +
Analog current output



Max. 80 mA
Residual voltage 1 V or less

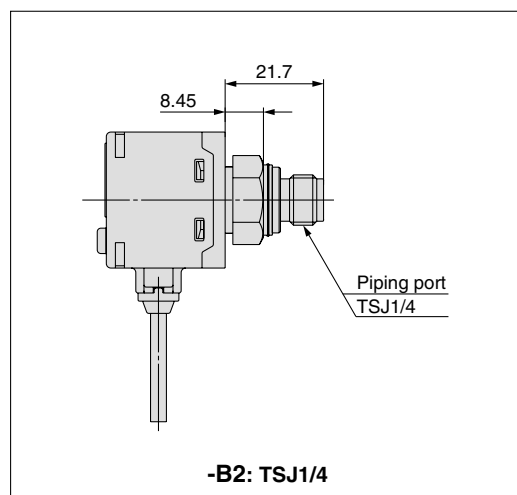
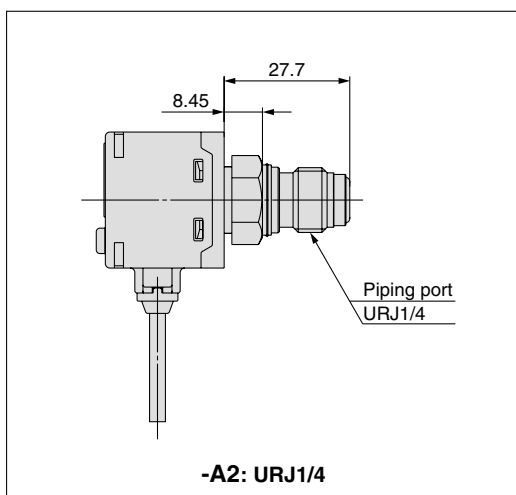
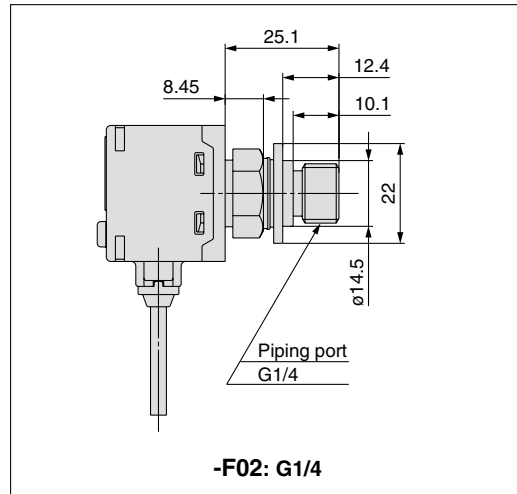
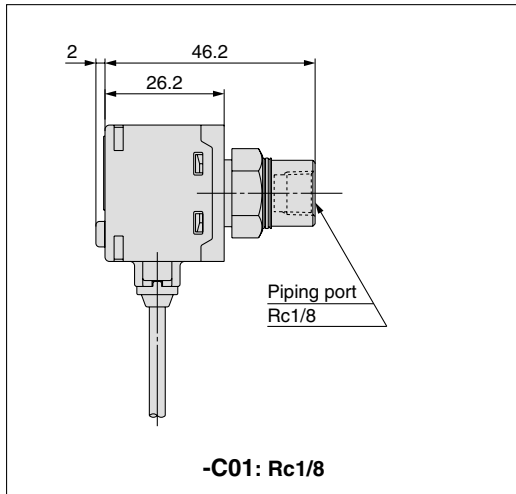
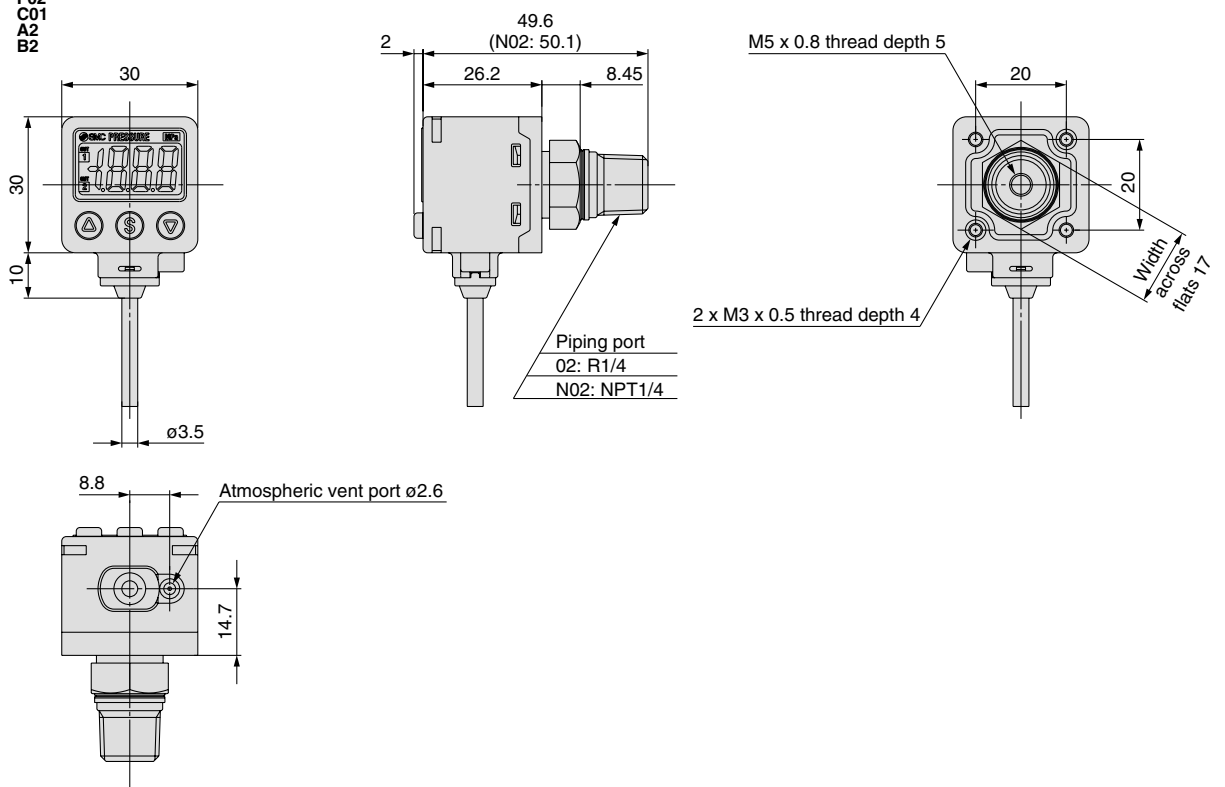
- ZSE
- ISE
- ZSP
- PS
- ISA
- PSE
- IS
- ISG
- ZSM

Series ZSE80/ISE80

Dimensions

ZSE/ISE80□□

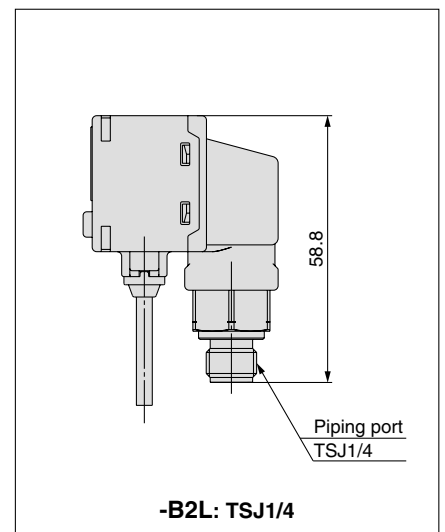
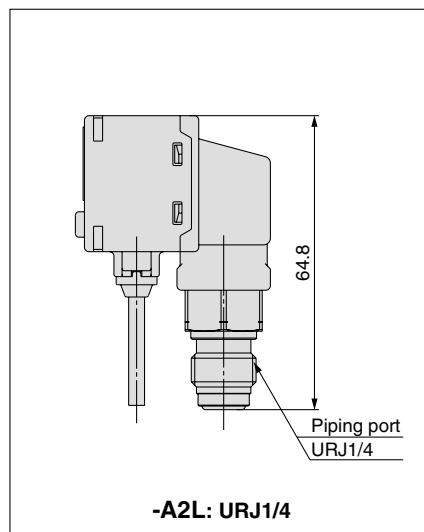
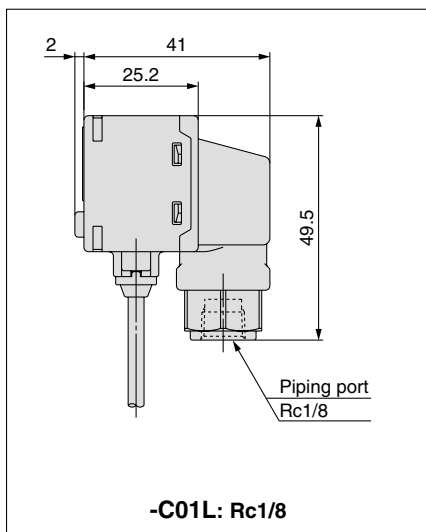
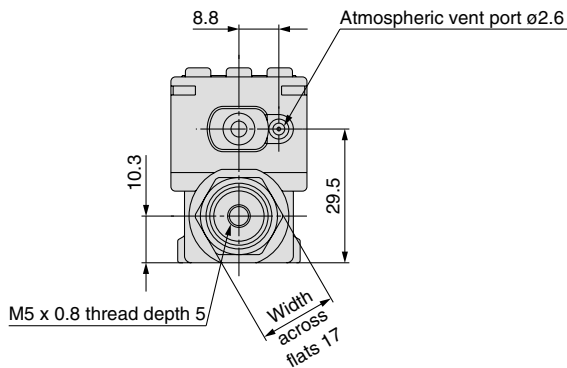
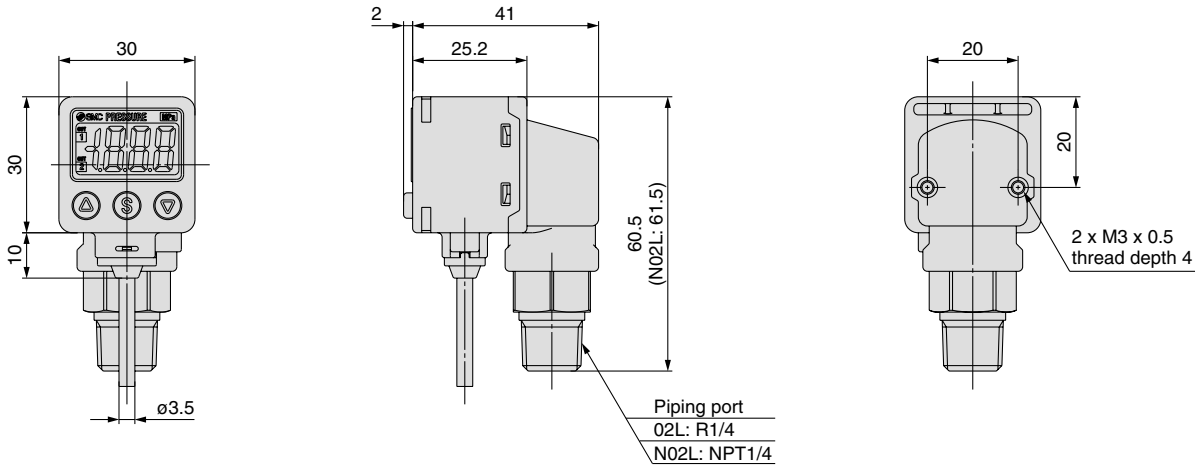
02
N02
F02
C01
A2
B2



2-Color Display Digital Pressure Switch For General Fluids *Series ZSE80/ISE80*

Dimensions

ZSE/ISE80 □ □ - 02L
 - N02L
 C01L
 A2L
 B2L



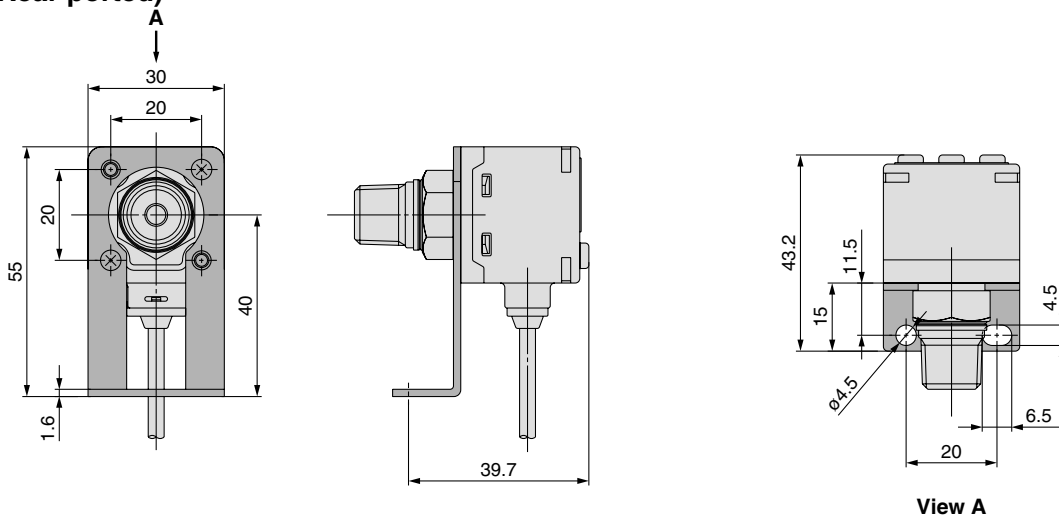
- ZSE
- ISE
- ZSP
- PS
- ISA
- PSE
- IS
- ISG
- ZSM

Series ZSE80/ISE80

Dimensions

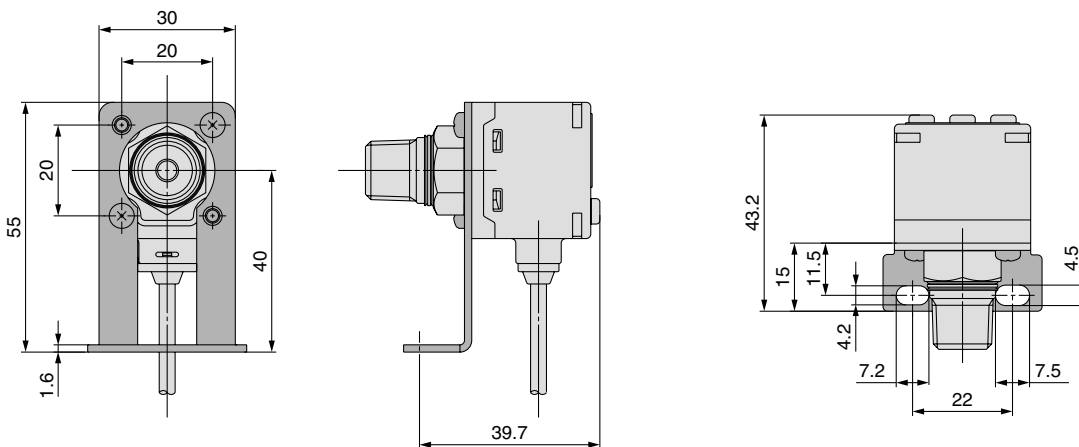
With bracket (Rear ported)

• ZS-24-A

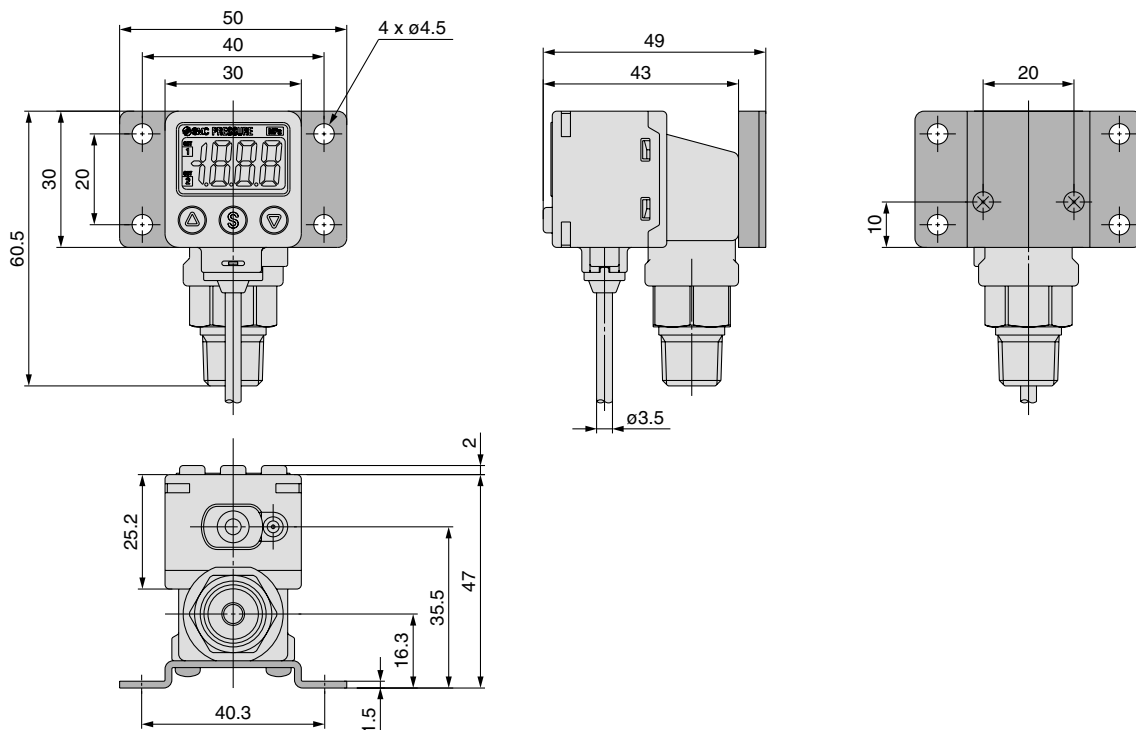


With bracket (Rear ported)

• ZS-24-D

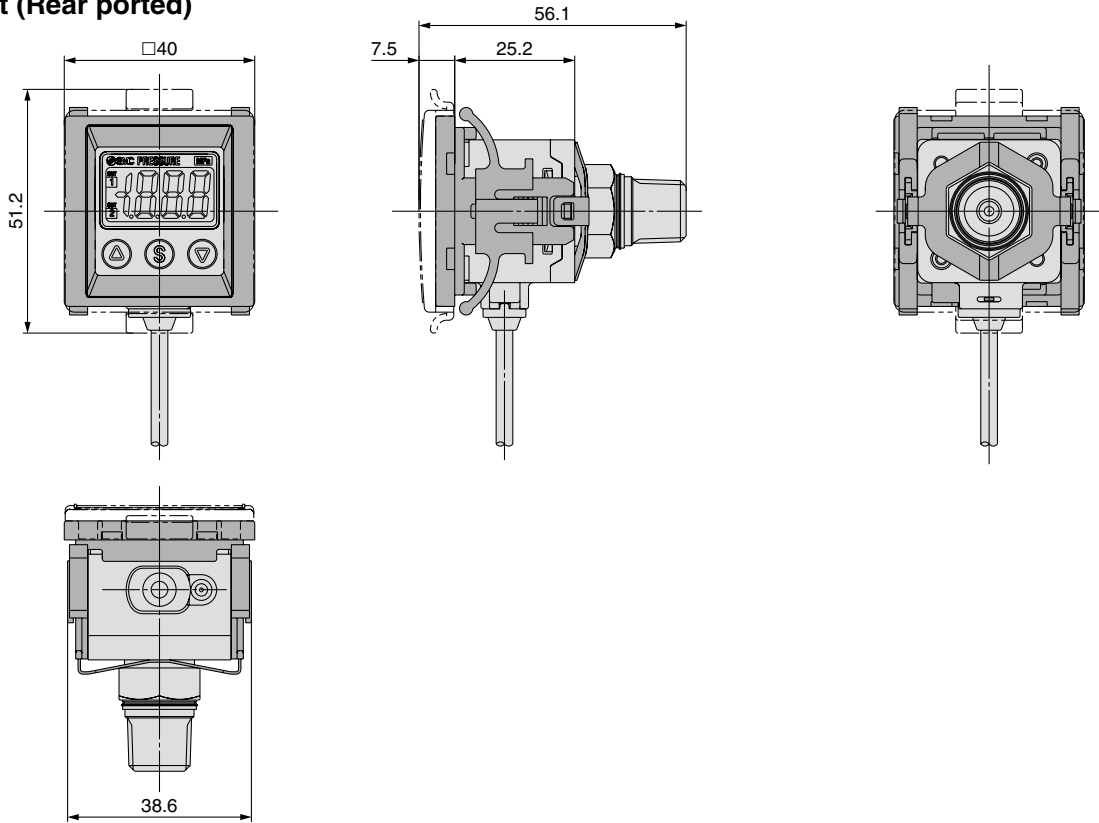


With bracket (Bottom ported)

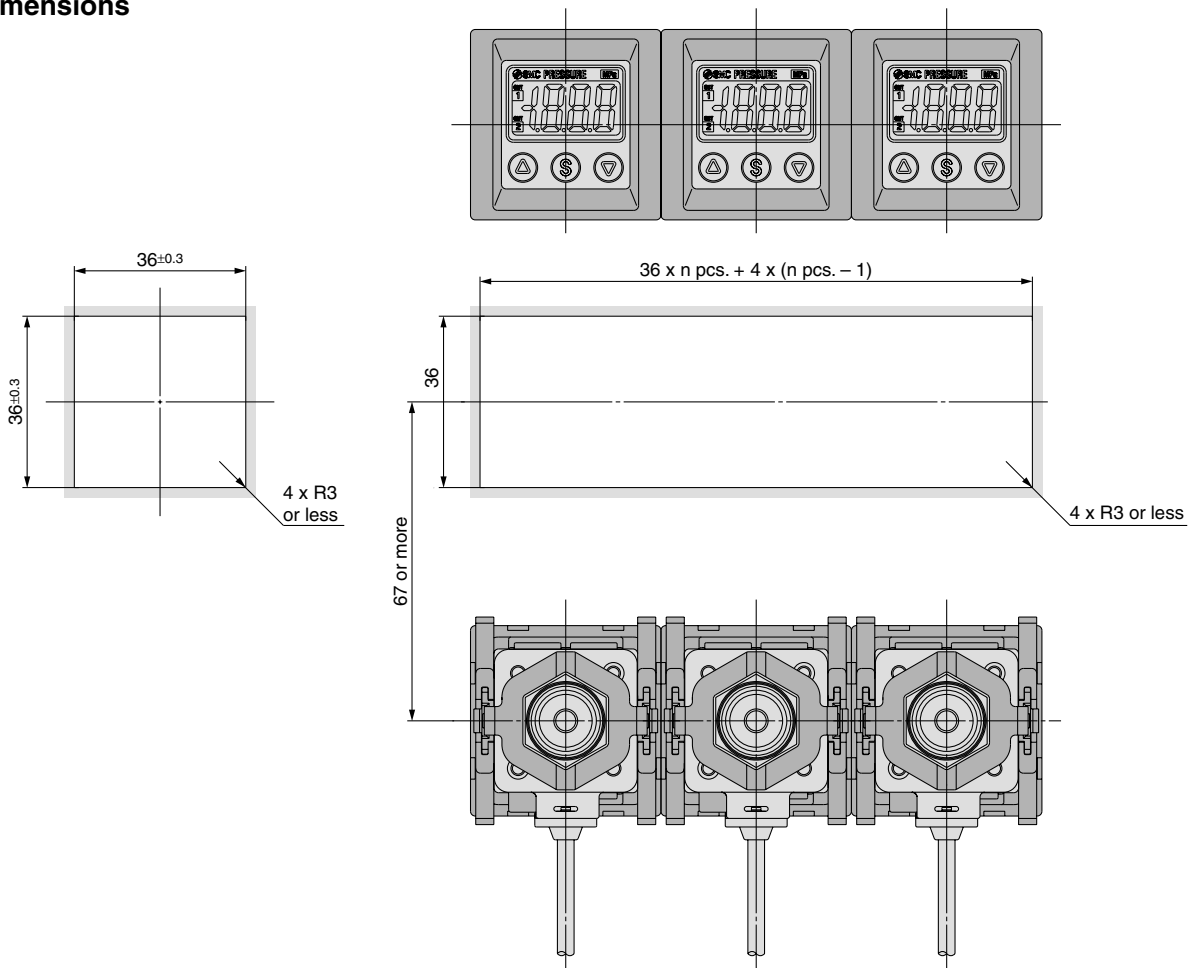


Dimensions

Panel mount (Rear ported)



Panel-cut dimensions

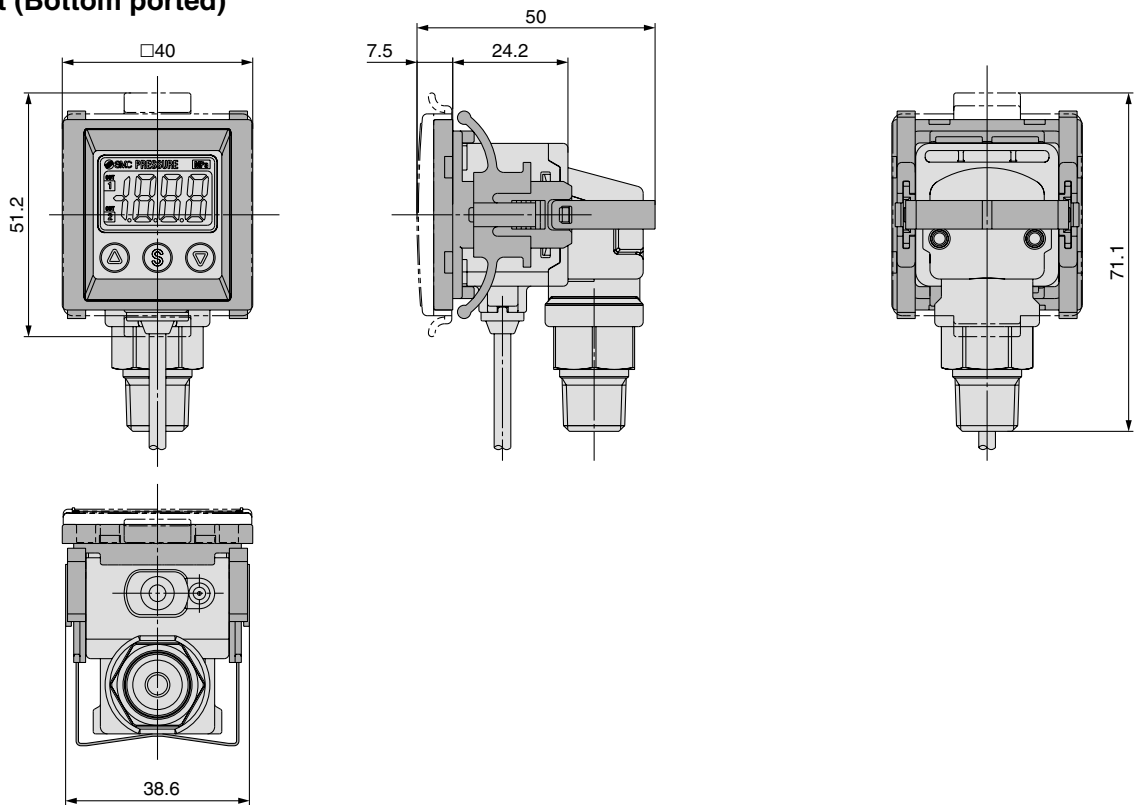


- ZSE
- ISE
- ZSP
- PS
- ISA
- PSE
- IS
- ISG
- ZSM

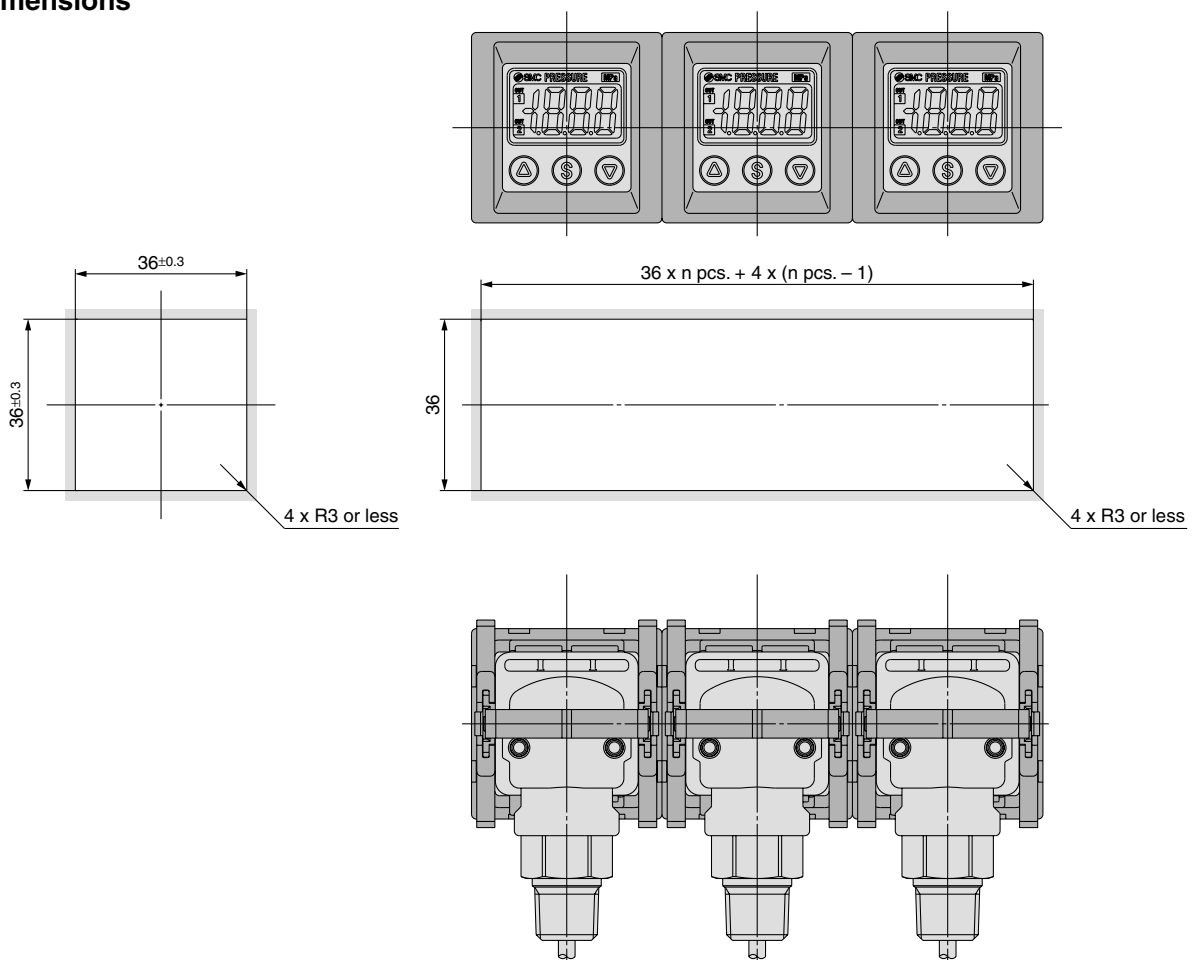
Series ZSE80/ISE80

Dimensions

Panel mount (Bottom ported)



Panel-cut dimensions



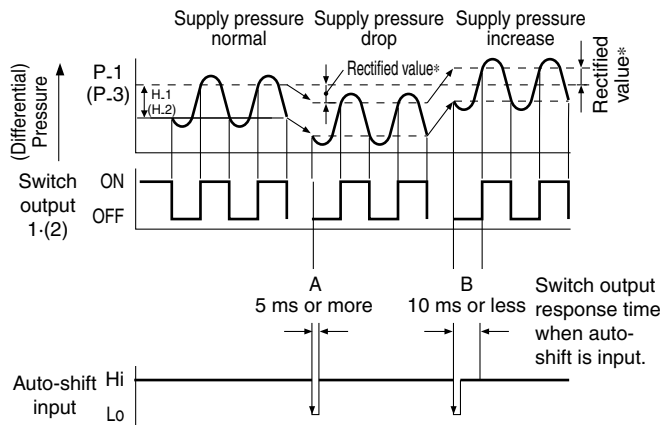
□ in brackets stand for the function codes. Refer to the operating manual for how to operate and function codes in detail.

Function Details

A Auto-shift function (F4)

When there are large fluctuations in the supply pressure, the switch may fail to operate correctly. The auto-shift function compensates such supply pressure fluctuations. It measures the pressure at the time of auto-shift signal input and uses it as the reference pressure to correct the set-value on the switch.

Set-value correction by auto-shift function



* Rectified value

When the auto-shift is selected, "ooo" will be displayed for approximately 1 second, and the pressure value at that point will be saved as a rectified value "C_5". Based on the saved rectified values, the set-value ^{Note)} of "P_1", "H_1", "P_2", and "H_2" will likewise be rectified.

Note) When an output is reversed, "n_1", "H_1", "n_2", "H_2" will be rectified.

Possible Set Range for Auto-Shift Input

	Regulating pressure range	Possible set range
Compound pressure	-110.0 to 110.0 kPa	-220 to 220 kPa
Vacuum pressure	10.0 to -111.0 kPa	121.0 to -121.0 kPa
Positive pressure	-0.105 to 1.100 MPa	-1.205 to 1.205 MPa
	-0.105 to 2.20 MPa	-2.31 to 2.31 MPa

Auto-shift zero

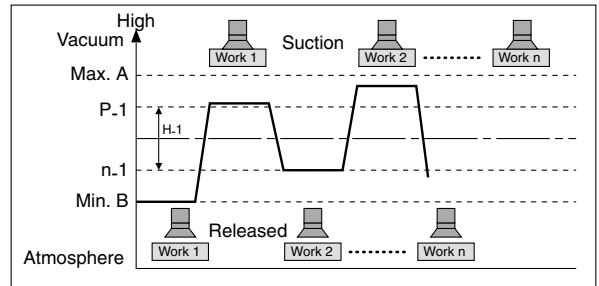
The basic function of auto-shift zero is the same as the function for auto-shift. Also, it corrects values on the display, based on a pressure value of 0, when the auto-shift is selected.

B Auto-preset function (F8)

Auto-preset function, when selected in the initial setting, calculates and stores the set-value from the measured pressure.

The optimum set-value is determined automatically by repeating vacuum and break with the target workpiece several times.

Suction Verification

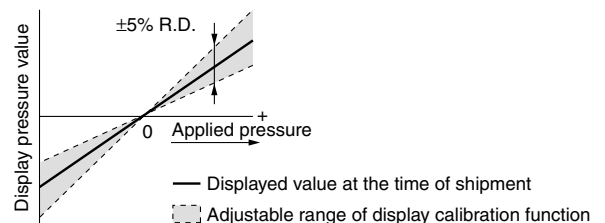


Formula for Obtaining the Set-Value

P_1 or P_2	H_1 or H_2
$P_1 (P_2) = A - (A-B)/4$	$H_1 (H_2) = (A-B)/2$
$n_1 (n_2) = B + (A-B)/4$	

C Precision indicator setting function (F7)

Fine adjustment of the indicated value can be made within the range of $\pm 5\%$ of the read value. The scattering of the indicated value can be eliminated.



Note) When the precision indicator setting function is used, the set pressure value may change ± 1 digit.

D Peak and bottom display function

This function constantly detects and updates the maximum (minimum) value and allows to hold the maximum (minimum) pressure value.

When the Δ ∇ buttons are simultaneously pressed for 1 second or longer, while "holding", the hold value will be reset.

E Key lock function

This function prevents incorrect operations such as accidentally changing the set-value.

F Zero-out function

This function clears and resets the zero value on the display of measured pressure.

For the pressure switch with analog output, the analog output shifts according to the indication. A displayed value can be adjusted within $\pm 10\%$ F.S. of the pressure when ex-factory.

ZSE
ISE
ZSP
PS
ISA
PSE
IS
ISG
ZSM

Function Details

G Error indication function

Error name	Error code	Description
Overcurrent error	E _r 1	Load current of switch output (OUT1) exceeds 80 mA.
	E _r 2	Load current of switch output (OUT2) exceeds 80 mA.
Residual pressure error	E _r 3	It is still applied with pressure that is ±10% over the atmospheric pressure and the upper limit of the rated pressure range when it is cleared to zero. * After displaying the error code for 1 second, the switch automatically returns to the measuring mode. Due to individual product differences, the setting range varies ±1 digits.
Applied pressure error	HHH	Supply pressure exceeds the maximum set pressure.
	LLL	Supply pressure is below the minimum set pressure.
Auto-shift error	OR	The value measured at the time of auto-shift input is outside the set pressure range. * After displaying the error code for one second, the switch returns to the measuring mode.
System error	E _r 0	Internal data error
	E _r 4	Internal data error
	E _r 7	Internal data error

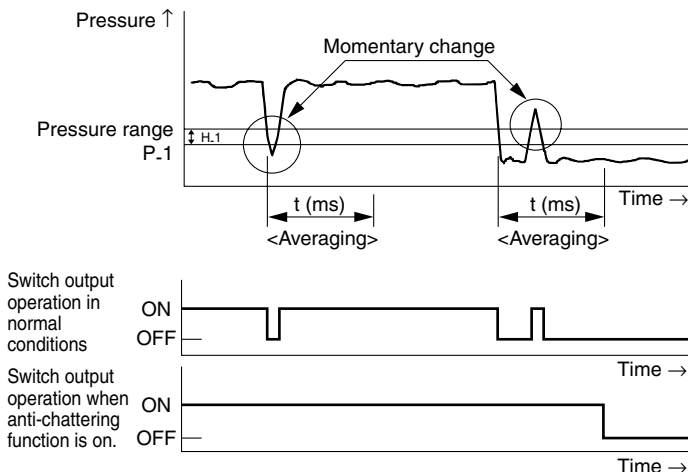
H Anti-chattering function (F3)

A large bore cylinder or ejector consumes a large volume of air in operation and may experience a temporary drop in the supply pressure. This function prevents detection of such temporary drops in the supply pressure as an error.

Available response time settings
20 ms, 100 ms, 500 ms, 1000 ms, 2000 ms

<Principle>

This function averages pressure values measured during the response time set by the user and then compares the average pressure value with the pressure set point value to output the result on the switch.



I Unit display switching function (F0)

Display units can be switched with this function.

Pressure range	For compound pressure	For vacuum pressure		For positive pressure	
		ZSE80F	ZSE80	ISE80	ISE80H*
Applicable pressure sensor					
Set pressure range	-110 to 110 kPa	10 to -111 kPa	-0.1 to 1.1 MPa	-0.1 to 2.2 MPa	
PA	kPa	0.1	0.1	1	1
	MPa	—	—	0.001	0.001
GF	kgf/cm ²	0.001	0.001	0.01	0.01
bAr	bar	0.001	0.001	0.01	0.01
PSI	psi	0.02	0.02	0.1	1
inH	inHg	0.1	0.1	—	—
mmH	mmHg	1	1	—	—

* ISE80H: Does not indicate the last digit when the pressure is 2.000 MPa or higher.

J Power-saving mode (F9)



The numerical value disappears and the decimal points blink.

Power-saving mode can be selected.

It shifts to the power-saving mode without button operation for 30 seconds. It is set to the normal mode (Power-saving mode is OFF.) when ex-factory. (Decimal points and operation indicator light (only when the switch output is turned ON.) blink in the power-saving mode.)

K Secret code setting (F10)



Input an arbitrary three-digit value.

* The set-value can be confirmed when the key is locked.

It can be set whether code number input is required or not when key is locked. It is set to input no code number when ex-factory.

Series ZSE80/ISE80 Made to Order



Please contact SMC for detailed dimensions, specifications, and lead times.

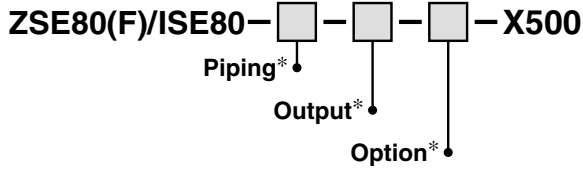
1 Wetted parts: Stainless steel 316L

This pressure switch has better corrosion resistance that uses stainless steel 316L for the wetted parts (pressure sensor and fitting).

How to Order



* Refer to How to Order on page 732 for standard specifications.



Note 1) Not applicable to the rated pressure -0.1 to 2 MPa specifications (ISE80H).
Note 2) A restrictor (equivalent to -X510) is installed inside the fitting. (Piping specifications A2(L) and B2(L) are excluded.)

Specifications

Model	ZSE80(F)	ISE80
Withstand pressure	500 kPa	1.5 MPa
Applicable fluid	Fluids do not corrode stainless steel 316L	

Models other than above are the same specifications as standard.

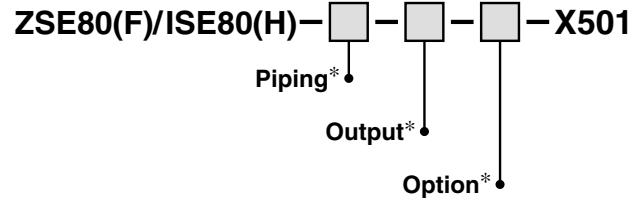
2 Lead wire length 3 m

It has a lead wire extended to 3 meters.

How to Order



* Refer to How to Order on page 732 for standard specifications.



ZSE
ISE

ZSP

PS

ISA

PSE

IS

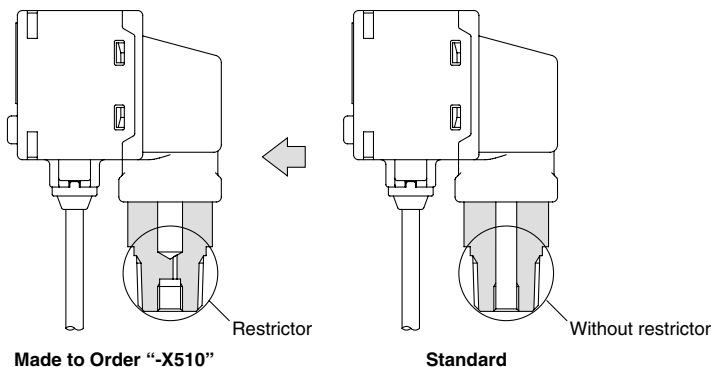
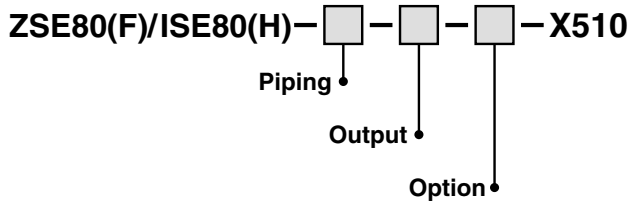
ISG

ZSM

3 Restrictor installed fitting

A restrictor is installed inside the fitting in order to improve endurance of water collision with rush inertia in the piping when adsorption is broken.

How to Order



Note 1) Not applicable for piping specifications A2(L) and B2(L).
Note 2) Sometimes does not work for suppression of water hammer effect even if this product is used. Take other measures in such a case.



Series ZSE80/ISE80 Specific Product Precautions 1

Be sure to read before handling. Refer to front matters 58 and 59 for Safety Instructions and pages 687 to 691 for Pressure Switch Precautions.

Handling

Warning

1. Do not drop, bump, or apply excessive impacts (980 m/s²) while handling. Although the body of the sensor may not be damaged, the internal parts of the sensor could be damaged and lead to a malfunction.
2. The tensile strength of the cord is 49 N. Applying a greater pulling force on it can cause a malfunction. When handling, hold the body of the sensor—do not dangle it from the cord.
3. Do not exceed the screw-in torque of 13.6 N·m when connecting the pipe to the switch. Exceeding these values may cause the switch to malfunction.
4. Do not use pressure sensors with corrosive and/or flammable gases or liquids.

Connection

Warning

1. Incorrect wiring can damage the switch and cause a malfunction or erroneous switch output.
2. Connections should be done while the power is turned off.
3. Wire separately from power lines and high voltage lines, avoiding wiring in the same conduit with these lines. Malfunctions may occur due to noise from these other lines.
4. If a commercial switching regulator is used, make sure that the F.G. terminal is grounded.

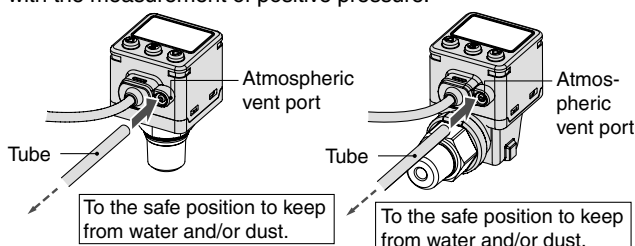
Operating Environment

Warning

1. This pressure switch is CE marked; however, it is not equipped with surge protection against lightning. Lightning surge countermeasures should be applied directly to system components as necessary.
2. This pressure switch does not have an explosion proof rating. Never use in the presence of an explosive gas as this may cause a serious explosion.

Caution

1. Do not use this product in an environment that gives oil or solvent splash over it.
2. When this pressure switch is used in a place where water and dust splash on, water and dust may enter inside the switch through the atmospheric vent port. Insert a $\phi 4$ tube (I.D. $\phi 2.5$) into the atmospheric vent port, and bring piping of the opposite side up to the safe position to keep it from water and dust. Do not bend the tubing or close the hole of it. It causes malfunction with the measurement of positive pressure.



- * Make sure that the tubing is inserted to the end of the atmospheric vent port.
- * Use SMC tubing, TU0425 (Material: Polyurethane, Tubing O.D. $\phi 4$, I.D. $\phi 2.5$).

Operating Environment

Caution

3. Some fluids may generate static electricity when resin piping is used for piping. Take measures against static electricity with equipment when this switch is used in connection with resin piping. Also, the ground should be separate from that of the units that generate strong electromagnetic noise or high frequency, otherwise, the switch can be damaged by static electricity.

Pressure Source

Warning

1. **Use of poisonous and deleterious substance, corrosive or flammable fluid.**

The materials used for the pressure sensor and the fitting of this switch are stainless steel 630, stainless steel 304 and stainless steel 316L (made to order). Do not use fluids such as **poisonous, deleterious substance and corrosive fluid**.

The switch is not protected against explosion. Do not use it with **flammable gas and fluid**, either.

2. **Fluid compatibility**

The fluid contact areas are stainless steel 630 (pressure sensor), stainless steel 304 (fitting), stainless steel 316L (pressure sensor, fittings, made to order). Use fluid that will not corrode the materials.

(For corrosiveness of fluid, consult with the manufacturer of the fluid.)

3. **Intrusion of water and drain**

A pressure sensor of stainless steel diaphragm is used for this switch. The pressure sensor of this switch can be damaged by the rush inertia of water when the drain contained in water and air collide with the pressure sensor when vacuum is broken after vacuum adsorption is confirmed, and it may cause malfunction with the pressure indication. If there is a possibility of water or drainage getting in, narrow the diameter of the piping to the pressure switch, or make an orifice in the middle of the piping. Extra attention is needed when the rear surface piping type model is used.

4. **Withstand pressure**

When liquid fluid is used, rapid pressure change can be generated such as water hammer and surge pressure when a valve is turned ON/OFF.

Install a dumper or an absorber or an accumulator as a countermeasure according to necessity.

It may damage the pressure sensor or the switch if pressure over the proof pressure is applied even for a second.

<Piping specifications A2(L), B2(L)>

Helium leakage test

Helium leakage test is conducted on the welding parts. Use a ferrule by Swagelok (Swagelok® fittings) as the TSJ fittings and packing, ground, etc. by Swagelok (VCR® fittings) as the URJ fittings. If a ferrule, packing or ground by other manufacturers are to be used, conduct helium leakage test before using those products.

* Swagelok® and VCR® are registered trademarks of Swagelok Company.



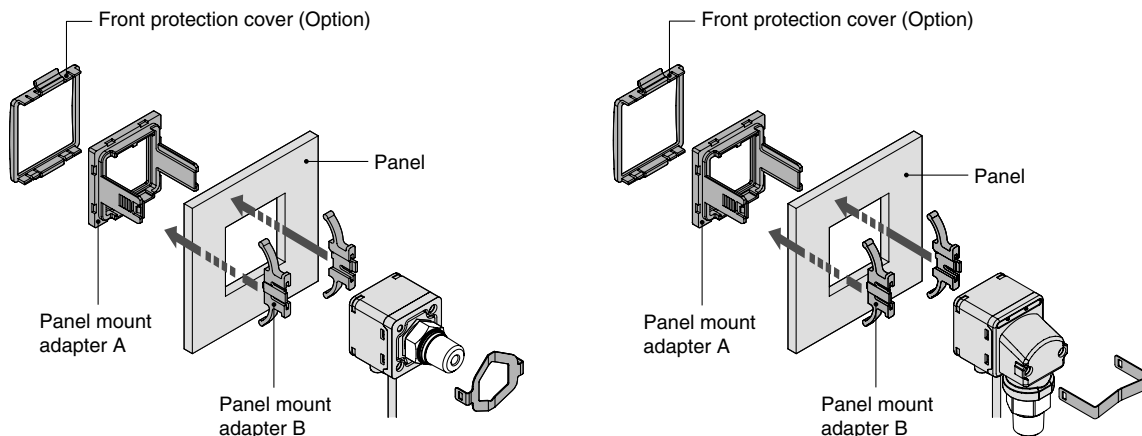
Series ZSE80/ISE80 Specific Product Precautions 2

Be sure to read before handling. Refer to front matters 58 and 59 for Safety Instructions and pages 687 to 691 for Pressure Switch Precautions.

Mounting

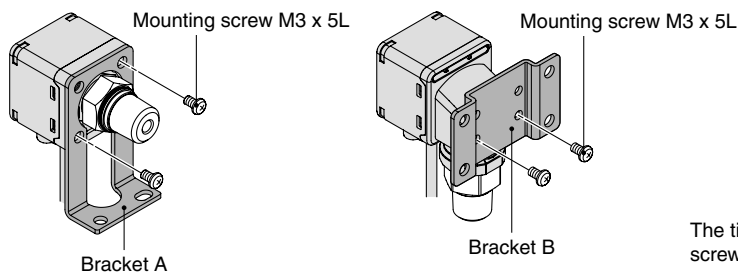
Caution

1. Mounting with panel mount adapter



2. Mounting with brackets

Mount a bracket to the using two M3 x 5L mounting screws and install on piping. The switch can be installed horizontally depending on the installation location.



The tightening torque for bracket mounting screw should be 0.98 N·m or less.

ZSE
ISE
ZSP
PS
ISA
PSE
IS
ISG
ZSM

Set Pressure Range and Rated Pressure Range

Caution

Set the pressure within the rated pressure range.

The set pressure range is the range of pressure that is possible in setting.

The rated pressure range is the range of pressure that satisfies the specifications (accuracy, linearity, etc.) on the switch.

Although it is possible to set a value outside the rated pressure range, the specifications will not be guaranteed even if the value stays within the set pressure range.

Switch	Pressure range					
	-100 kPa	0	100 kPa	1 MPa	2 MPa	
For vacuum pressure	ZSE80	-101 kPa	0			
		-111 kPa	10 kPa			
For compound pressure	ZSE80F	-100 kPa	100 kPa			
		-110 kPa	110 kPa			
For positive pressure	ISE80	-0.1 MPa		1 MPa		
		-0.105 MPa		1.1 MPa		
	ISE80H	-0.1 MPa			2 MPa	
		-0.105 MPa			2.2 MPa	

Rated pressure range of switch
 Set pressure range of switch