

Stainless Steel Series Dual Speed Controller with One-touch Fitting

Series ASD-FG

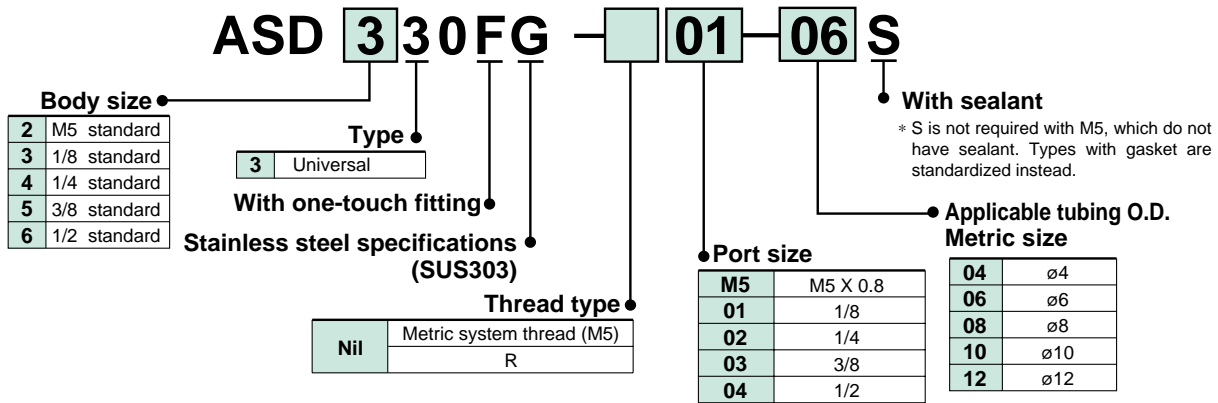
Universal Type

■ Applicable tubing O.D.: Metric Size

Corrosion Resistance

Lurch Prevention

How to Order



Model

Model	Port size	Applicable tubing O.D.				
		4	6	8	10	12
ASD230FG-M5	M5 X 0.8	●	●			
ASD330FG-01	R1/8		●	●		
ASD430FG-02	R1/4		●	●	●	
ASD530FG-02	R1/4		●	●	●	●
ASD530FG-03	R3/8		●	●	●	●
ASD630FG-04	R1/2				●	●

Specifications

Proof pressure	1.5MPa
Max. operating pressure	1MPa
Min. operating pressure	0.1MPa
Ambient and fluid temperature	-5 to 60°C (With no condensation)
Number of needle rotations	10 rotations (8 rotations Note 1))
Applicable tubing material Note 2)	Nylon, Soft nylon, Polyurethane, Soft polyurethane

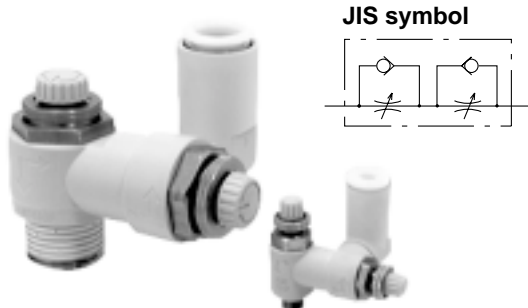
Note 1) In case of ASD230FG.

Note 2) Pay attention to the maximum operating pressure when soft nylon, polyurethane or soft polyurethane is used. (Refer to Best Pneumatics vol. 4 for more information.)

Universal Type

ASD-FG

Use of Stainless steel 303 for metal parts.
Lurch prevention.
Speed control of single acting cylinder.



Applicable tubing O.D. mm	Connection thread	Model
		Universal type
4	M5 X 0.8	ASD230FG-M5-04
	M5 X 0.8	ASD230FG-M5-06
6	R1/8	ASD330FG-01-06S
	R1/4	ASD430FG-02-06S
	R1/4	ASD530FG-02-06S
	R3/8	-03-06S
8	R1/8	ASD330FG-01-08S
	R1/4	ASD430FG-02-08S
	R1/4	ASD530FG-02-08S
	R3/8	-03-08S

Applicable tubing O.D. mm	Connection thread	Model
		Universal type
10	R1/4	ASD430FG-02-10S
	R1/4	ASD530FG-02-10S
	R3/8	-03-10S
12	R1/2	ASD630FG-04-10S
	R1/4	ASD530FG-02-12S
	R3/8	-03-12S
	R1/2	ASD630FG-04-12S

Refer to Best Pneumatics vol. 3 for inch sizes.

Order Made

Made to Order

Lubricant: Vaseline

X12

Clean Series

10-

(Example) ASD230FG-M5-04-X12

Lubricant: Fluoresin grease, Double packaging

(Example) 10-ASD230FG-M5-04

