

FEATURES

- > Oil-less
- > Low power consumption
- > Low sound level
- > Long lifetime
- > Compact design
- > Lightweight

TYPICAL APPLICATIONS

- > Medical devices
- > Gas detection
- > Analysis
- > Battery operated systems

BASE MODEL

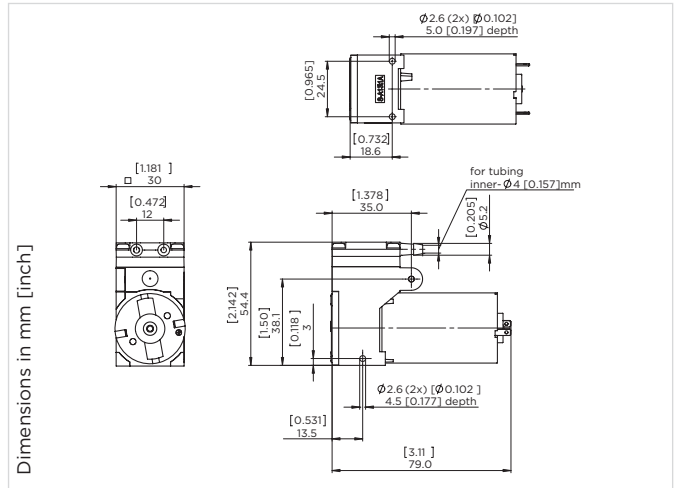
- 1410 LC
- 1410 DC
- 1410 BLDC



Diaphragm

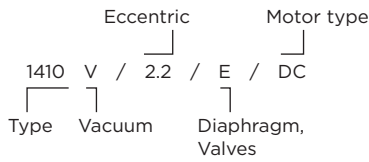
Diaphragm Pump 1410V DC

Flow	4.2 l/min
Final Vacuum	75 %



1410... Stock programme

Model key:



PNEUMATIC DATA		
Description	1410V/2.2/E/DC	
Part number	12 V	14100300
	24 V	14100301
Max. flow	4.2 l/min	
Max. intermittent vacuum	75 %	
Max. continuous vacuum	75 %	
Max. restart vacuum	50 %	

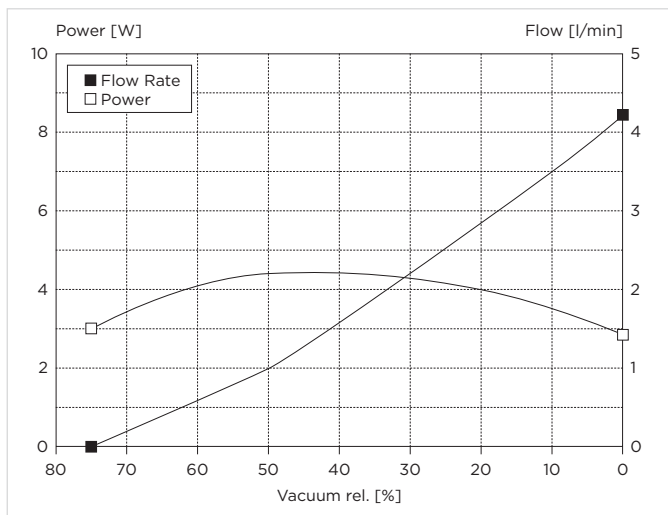
ELECTRICAL DATA	
Motor type	DC brush
Nominal speed	3000 rpm
Nominal voltage	12/24 V DC
Max. power consumption	4.4 W
Motor insulation class	A
Protection class	IP20

GENERAL DATA	
Ambient temperature	15 to 40 °C
Media temperature	15 to 40 °C
Weight	190 g
Port direction	D

WETTED PARTS	
Pump head	PA
Diaphragm	EPDM
Valves	EPDM

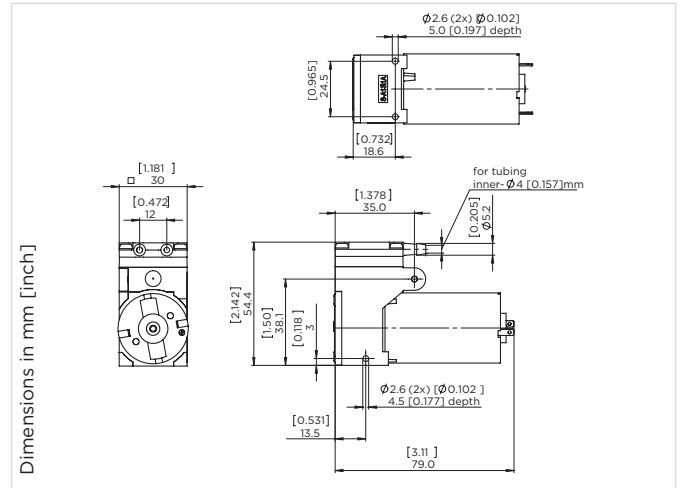
OPTIONS	
PPS	
FKM	
FKM	

FLOW CURVES



Diaphragm Pump 1410D DC

Flow	4.3 l/min
Final Pressure	1.0 bar



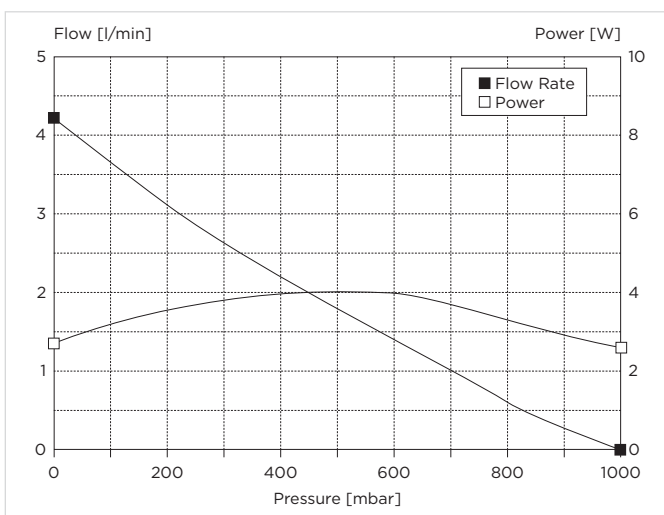
PNEUMATIC DATA		
Description	1410D/2.2/E/DC	
Part number	12 V	14100302
	24 V	14100303
Max. flow	4.3 l/min	
Max. intermittent pressure	1.0 bar	
Max. continuous pressure	1.0 bar	
Max. restart pressure	0.5 bar	

ELECTRICAL DATA	
Motor type	DC brush
Nominal speed	3000 rpm
Nominal voltage	12/24 V DC
Max. power consumption	4.0 W
Motor insulation class	A
Protection class	IP20

GENERAL DATA	
Ambient temperature	15 to 40 °C
Media temperature	15 to 40 °C
Weight	190 g
Port direction	D

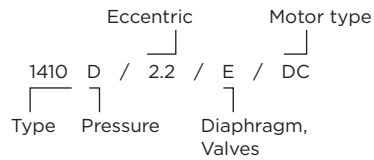
WETTED PARTS		OPTIONS	
Pump head	PA	PPS	
Diaphragm	EPDM	FKM	
Valves	EPDM	FKM	

FLOW CURVES



1410... Stock programme

Model key:



Diaphragm Pump 1410VD DC

Flow	3.2 l/min
Final Pressure	1.9 bar
Final Vacuum	73 %



PNEUMATIC DATA

Description		1410VD/1.5/E/DC
Part number	12 V	14100304
	24 V	14100305
Max. flow	3.2 l/min	
Max. intermittent pressure	1.9 bar	
Max. continuous pressure	0.7 bar	
Max. restart pressure	0.5 bar	
Max. intermittent vacuum	73 %	
Max. continuous vacuum	73 %	
Max. restart vacuum	50 %	

ELECTRICAL DATA

Motor type	DC brush
Nominal speed	3000 rpm
Nominal voltage	12/24 V DC
Max. power consumption	4.3 W
Motor insulation class	A
Protection class	IP20

GENERAL DATA

Ambient temperature	15 to 40 °C
Media temperature	15 to 40 °C
Weight	190 g
Port direction	D

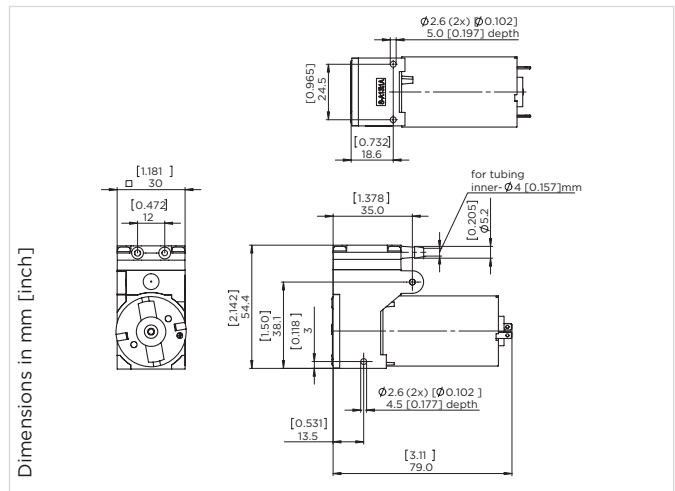
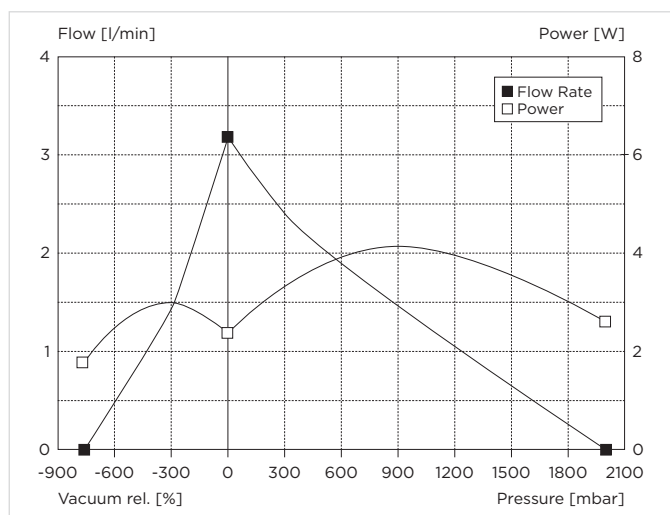
WETTED PARTS

Pump head	PA
Diaphragm	EPDM
Valves	EPDM

OPTIONS

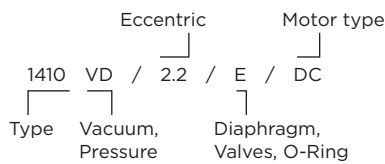
PPS

FLOW CURVES



1410... Stock programme

Model key:



Diaphragm Pump 1410V LC

Flow	3.7 l/min
Final Vacuum	75 %



PNEUMATIC DATA

Description	1410V/2.2/E/LC	
Part number	12 V	14100103
	24 V	14100106
Max. flow	3.7 l/min	
Max. intermittent vacuum	75 %	
Max. continuous vacuum	75 %	
Max. restart vacuum	75 %	

ELECTRICAL DATA

Motor type	DC brush
Nominal speed	3000 rpm
Nominal voltage	12/24 V DC
Max. power consumption	5.0 W
Motor insulation class	F
Protection class	IP00
* Suitable connector	Housing, receptacle, 1.5mm, pitch Molex P/N: 87439-0200
	2x Crimp receptacle, 1.5mm, pitch Molex P/N: 87421-0000

GENERAL DATA

Ambient temperature	15 to 40 °C
Media temperature	15 to 40 °C
Weight	180 g
Port direction	D

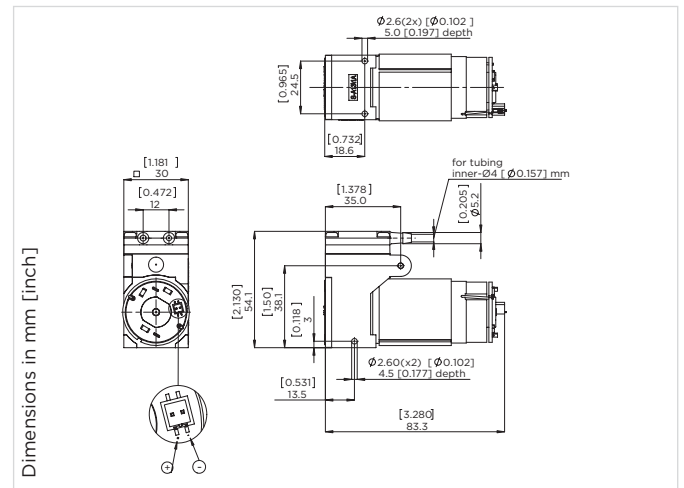
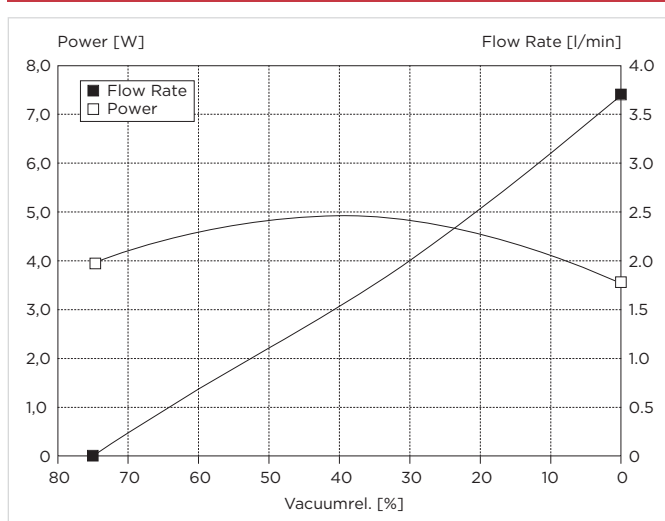
WETTED PARTS

Pump head	PA
Diaphragm	EPDM
Valves	EPDM

OPTIONS

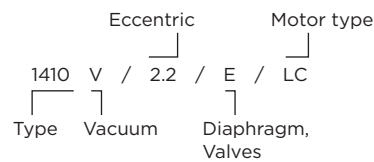
PPS

FLOW CURVES



1410... Stock programme

Model key:



Diaphragm Pump 1410D LC

Flow	3.7 l/min
Final Pressure	1.0 bar



PNEUMATIC DATA

Description	1410D/2.2/E/LC	
Part number	12 V	14100104
	24 V	14100107
Max. flow	3.7 l/min	
Max. intermittent pressure	1.0 bar	
Max. continuous pressure	1.0 bar	
Max. restart pressure	1.0 bar	

ELECTRICAL DATA

Motor type	DC brush
Nominal speed	3000 rpm
Nominal voltage	12/24 V DC
Max. power consumption	4.8 W
Motor insulation class	F
Protection class	IP00
Suitable connector	Housing, receptacle, 1.5mm, pitch Molex P/N: 87439-0200
	2x Crimp receptacle, 1.5mm, pitch Molex P/N: 87421-0000

GENERAL DATA

Ambient temperature	15 to 40 °C
Media temperature	15 to 40 °C
Weight	180 g
Port direction	D

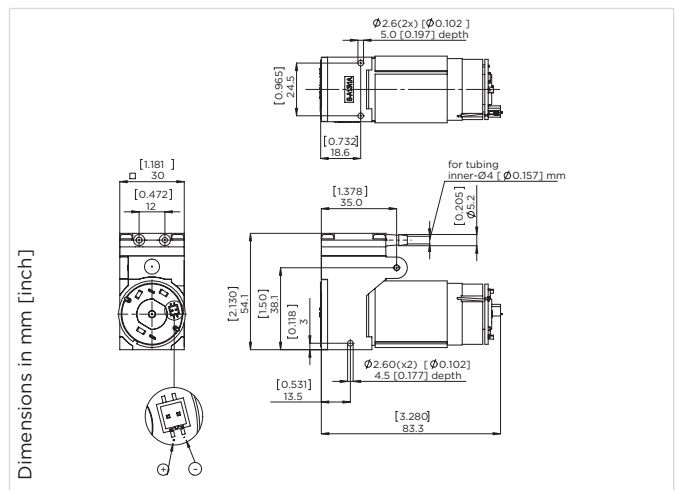
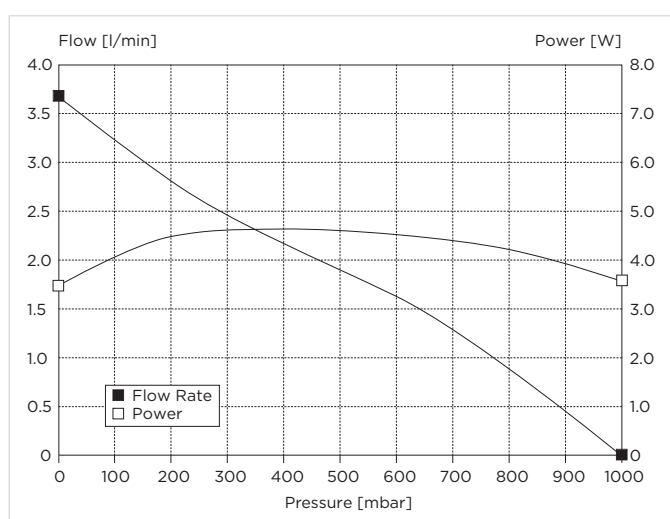
WETTED PARTS

Pump head	PA
Diaphragm	EPDM
Valves	EPDM

OPTIONS

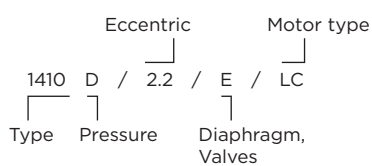
PPS

FLOW CURVES



1410... Stock programme

Model key:



Diaphragm Pump 1410VD LC

Flow	2.6 l/min
Final Pressure	1.9 bar
Final Vacuum	75 %



PNEUMATIC DATA

Description	1410VD/1.5/E/LC	
Part number	12 V	14100105
	24 V	14100108
Max. flow	2.6 l/min	
Max. intermittent pressure	1.9 bar	
Max. continuous pressure	0.7 bar	
Max. restart pressure	1.9 bar	
Max. intermittent vacuum	75 %	
Max. continuous vacuum	75 %	
Max. restart vacuum	75 %	

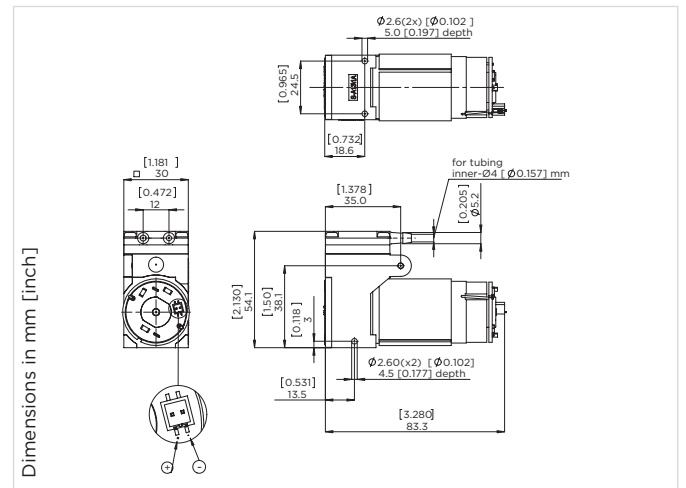
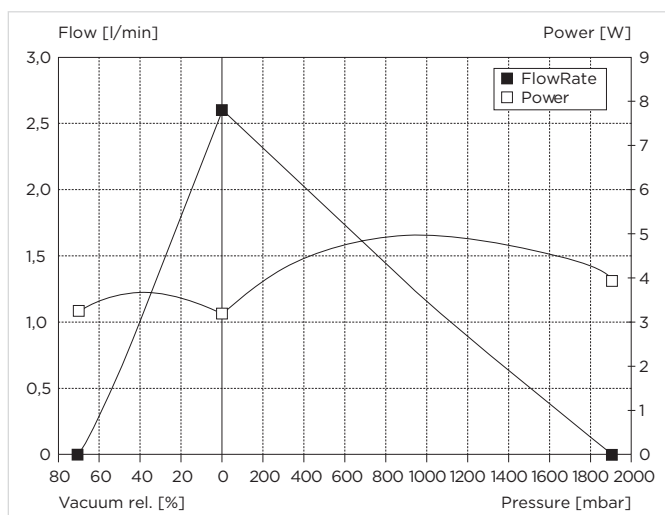
ELECTRICAL DATA

Motor type	DC brush
Nominal speed	3000 rpm
Nominal voltage	12/24 V DC
Max. power consumption	5.0 W
Motor insulation class	F
Protection class	IP00
* Suitable connector	Housing, receptacle, 1.5mm, pitch Molex P/N: 87439-0200
	2x Crimp receptacle, 1.5mm, pitch Molex P/N: 87421-0000

GENERAL DATA

Ambient temperature	15 to 40 °C
Media temperature	15 to 40 °C
Weight	180 g
Port direction	D

FLOW CURVES



WETTED PARTS

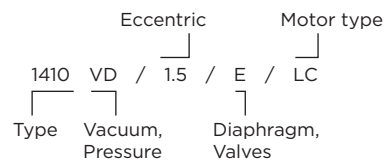
Pump head	PA
Diaphragm	EPDM
Valves	EPDM

OPTIONS

PPS

1410... Stock programme

Model key:



Diaphragm Pump 1410V BLDC

Flow	5.5 l/min
Final Vacuum	75 %



PNEUMATIC DATA

Description	1410V/2.2/E/BLDC	
Part number	12 V	14100210
	24 V	14100211
Max. flow	5.5 l/min	
Max. intermittent vacuum	75 %	
Max. continuous vacuum	75 %	
Max. restart vacuum	75 %	

ELECTRICAL DATA

Motor type	Brushless DC	
Nominal speed	0 - 4600 rpm	
Nominal voltage	12/24 V DC	
Drive electronics	integrated with reverse supply voltage protection	
Max. power consumption	6.3 W	
Motor insulation class	B	
Protection class	IP20	
Connector	Housing:	Molex KK 22-01-3047
	Terminal:	Molex KK 08-50-0031

GENERAL DATA

Ambient temperature	15 to 40 °C
Media temperature	15 to 40 °C
Weight	170 g
Port direction	D

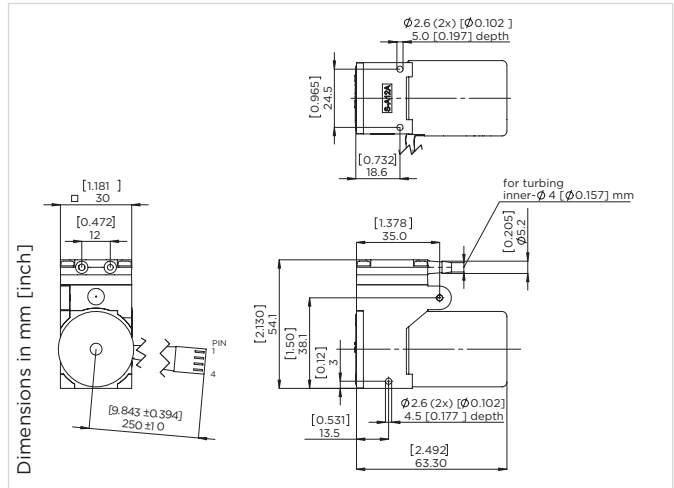
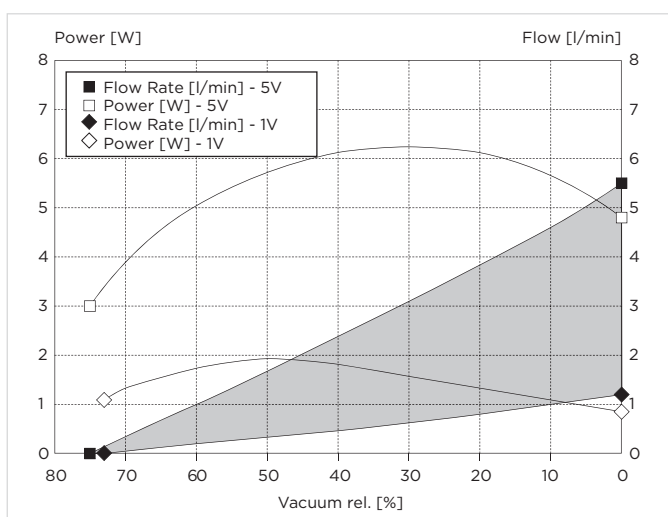
WETTED PARTS

Pump head	PA
Diaphragm	EPDM
Valves	EPDM

OPTIONS

PPS

FLOW CURVES

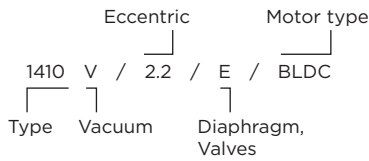


WIRING DIAGRAM

Pin 1	V Supply	Red	12 V DC (max. voltage range: 10..18 V DC) 24 V DC (max. voltage range: 10..28 V DC)
Pin 2	Ground	Black	Ground for Vsupply (PIN 1) and Speed Control (PIN 3) analog: 0..5 V DC (max. 28V) PWM: 6..20kHz - 14..96% Speed voltage input threshold: 0.2 V
Pin 3	Speed Control	White	
Pin 4	Tacho out	Green	18 pulses per revolution Pulse time „LOW“: 195 µs Output level „LOW“: 0 / max. 0.5 V Output level „HIGH“: min. 4 V / max. 5 V

Optional: Adapter for 2-wire duty incl. potentiometer for speed adjustment

Model key:



Diaphragm Pump 1410D BLDC

Flow	5.5 l/min
Final Pressure	1.0 bar



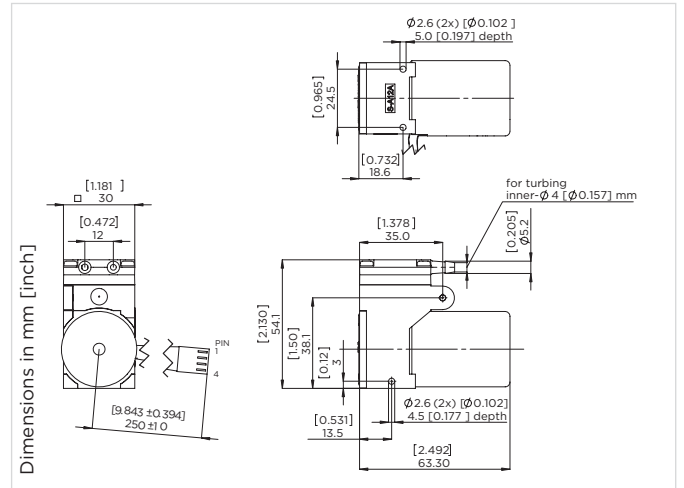
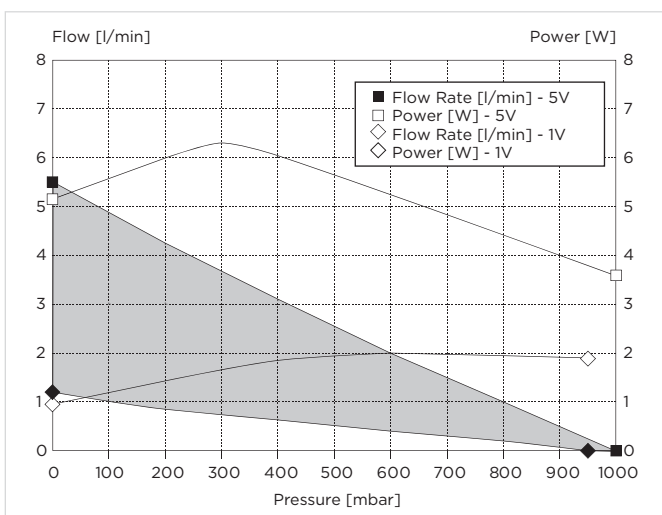
PNEUMATIC DATA		
Description	1410D/2.2/E/BLDC	
Part number	12 V	14100212
	24 V	14100215
Max. flow	5.5 l/min	
Max. intermittent pressure	1.0 bar	
Max. continuous pressure	1.0 bar	
Max. restart pressure	1.0 bar	

ELECTRICAL DATA		
Motor type	Brushless DC	
Nominal speed	0 - 4600 rpm	
Nominal voltage	12/24 V DC	
Drive electronics	integrated with reverse supply voltage protection	
Max. power consumption	6.3 W	
Motor insulation class	B	
Protection class	IP20	
Connector	Housing:	Molex KK 22-01-3047
	Terminal:	Molex KK 08-50-0031

GENERAL DATA	
Ambient temperature	15 to 40 °C
Media temperature	15 to 40 °C
Weight	170 g
Port direction	D

WETTED PARTS		OPTIONS
Pump head	PA	PPS
Diaphragm	EPDM	
Valves	EPDM	

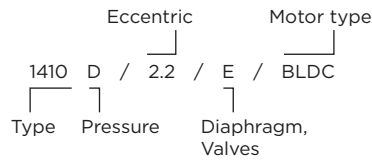
FLOW CURVES



WIRING DIAGRAM			
Pin 1	V Supply	Red	12 V DC (max. voltage range: 10..18 V DC) 24 V DC (max. voltage range: 10..28 V DC)
Pin 2	Ground	Black	Ground for Vsupply (PIN 1) and Speed Control (PIN 3)
Pin 3	Speed Control	White	analog: 0..5 V DC (max. 28V) PWM: 6..20kHz - 14..96% Speed voltage input threshold: 0.2 V
Pin 4	Tacho out	Green	18 pulses per revolution Pulse time „LOW“: 195 μ s Output level „LOW“: 0 / max. 0.5 V Output level „HIGH“: min. 4 V / max. 5 V

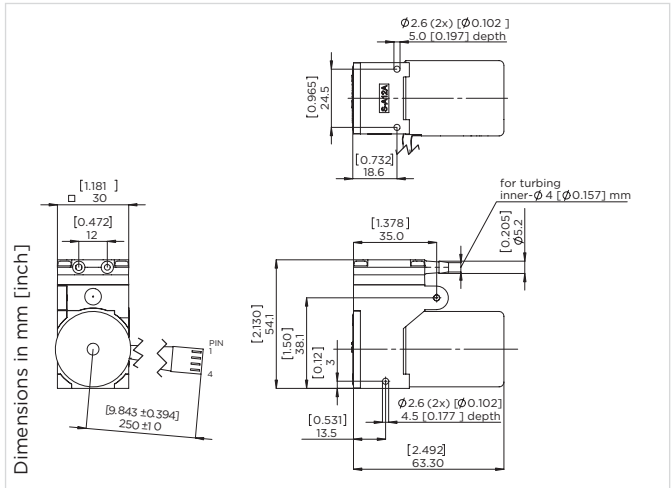
Optional: Adapter for 2-wire duty incl. potentiometer for speed adjustment

Model key:



Diaphragm Pump 1410VD BLDC

Flow	4.3 l/min
Final Pressure	1.9 bar
Final Vacuum	73 %



PNEUMATIC DATA

Description	1410VD/1.5/E/BLDC	
Part number	12 V	14100216
	24 V	14100217
Max. flow	4.3 l/min	
Max. intermittent pressure	1.9 bar	
Max. continuous pressure	0.7 bar	
Max. intermittent vacuum	1.9 bar	
Max. intermittent vacuum	73 %	
Max. continuous vacuum	73 %	
Max. restart vacuum	73 %	

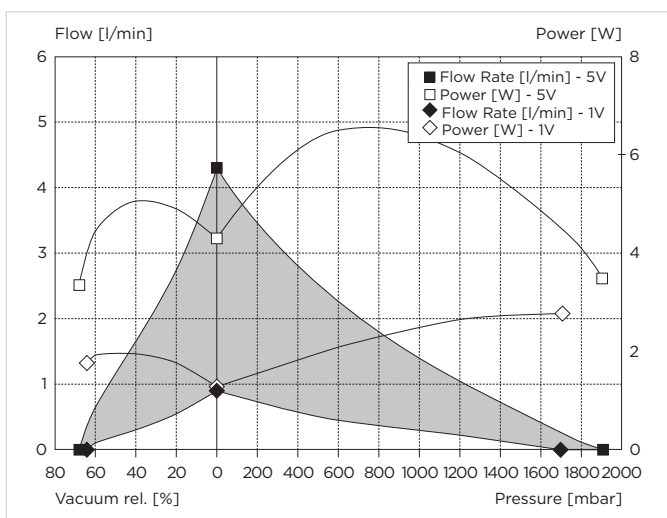
ELECTRICAL DATA

Motor type	Brushless DC	
Nominal speed	0 - 4600 rpm	
Nominal voltage	12/24 V DC	
Drive electronics	integrated with reverse supply voltage protection	
Max. power consumption	7.0 W	
Motor insulation class	B	
Protection class	IP20	
Connector	Housing:	Molex KK 22-01-3047
	Terminal:	Molex KK 08-50-0031

GENERAL DATA

Ambient temperature	15 to 40 °C
Media temperature	15 to 40 °C
Weight	170 g
Port direction	D

FLOW CURVES



WETTED PARTS

Pump head	PA
Diaphragm	EPDM
Valves	EPDM

OPTIONS

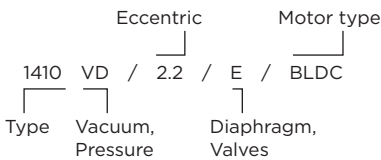
PPS

WIRING DIAGRAM

Pin 1	V Supply	Red	12 V DC (max. voltage range: 10..18 V DC) 24 V DC (max. voltage range: 10..28 V DC)
Pin 2	Ground	Black	Ground for Vsupply (PIN 1) and Speed Control (PIN 3)
Pin 3	Speed Control	White	analog: 0..5 V DC (max. 28V) PWM: 6..20kHz - 14..96% Speed voltage input threshold: 0.2 V
Pin 4	Tacho out	Green	18 pulses per revolution Pulse time „LOW“: 195 µs Output level „LOW“: 0 / max. 0.5 V Output level „HIGH“: min. 4 V / max. 5 V

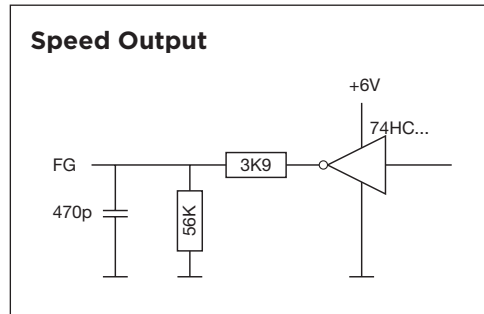
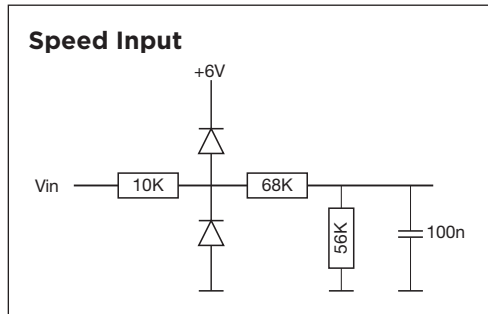
Optional: Adapter for 2-wire duty incl. potentiometer for speed adjustment

Model key:

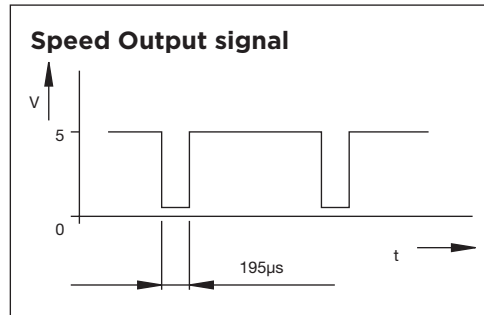


Wiring diagram (Brushless DC motor)

	Function	Colour	Control
Pin 1	V Supply	Red	12 V DC (max. voltage range: 10..18 V DC) 24 V DC (max. voltage range: 10..28 V DC)
Pin 2	Ground	Black	Ground for Vsupply (PIN 1) and Speed Control (PIN 3)
Pin 3	Speed Control	White	analog: 0..5 V DC (max. 28V) PWM: 6..20kHz - 14..96% Speed voltage input threshold: 0.2 V
Pin 4	Tacho out	Green	18 pulses per revolution Pulse time „LOW“: 195 μ s Output level „LOW“: 0 / max. 0.5 V Output level „HIGH“: min. 4 V / max. 5 V



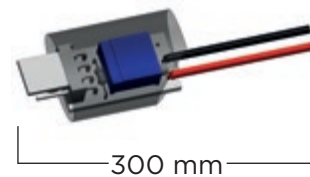
Optional: Adapter for 2-wire duty incl. potentiometer for speed adjustment



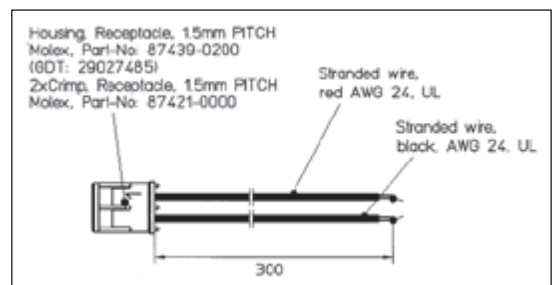
Options / Accessories

P/N 29011932 **Adapter for BLDC motor**
4-2 wire w/ manual speed control
12 V DC "red"

P/N 29011933 **Adapter for BLDC motor**
4-2 wire w/ manual speed control
24 V DC "black"



P/N 29027486 **Cable harness for LC motor version**



PUMP AND COMPRESSOR SOLUTIONS FOR OEMS WORLDWIDE

gd-thomas.com



Gardner Denver Thomas GmbH
Livry-Gargan-Str. 10
82256 Fürstenfeldbruck
Germany
T +49 8141 2280 0
F +49 8141 8892136
thomas.de@gardnerdenver.com

Gardner Denver Hong Kong, Limited
Unit 1317-1318 Delta House, 3 On Yiu Street
Siu Lek Yuen, Shatin, New Territories
Hong Kong
T +852 26903502
F +852 27924598
thomas.hk@gardnerdenver.com

Gardner Denver Thomas, Inc.
1419 Illinois Avenue
Sheboygan, WI 53081
USA
T +1 920 4574891
F +1 920 4514276
td.usa@gardnerdenver.com

THOMAS
by Gardner Denver

The information presented in this material is based on technical data and test results of nominal units. It is believed to be accurate and reliable and is offered as an aid to help in the selection of Thomas products. It is the responsibility of the user to determine the suitability of the product for the intended use and the user assumes all risk and liability in connection therewith. Thomas does not warrant, guarantee or assume any obligation or liability in connection with this information.

Models presented in this catalog are representative of the product family. Photos of products pictured in this catalog do not necessarily represent a specific model number. To obtain further information for custom options, contact your local Thomas office.

Printed in Germany Form No. 17000540 01/2018 © Gardner Denver Thomas GmbH. All rights reserved.