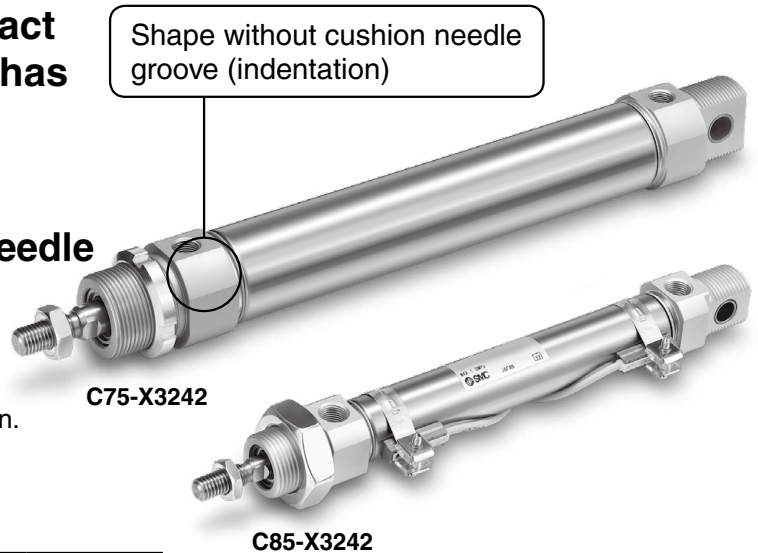


# ISO Cylinder C85 Series $\varnothing 20, \varnothing 25$ Air Cylinder C75 Series $\varnothing 32, \varnothing 40$ Non-adjustable Air Cushion Type



- Smooth stopping with less impact compared to the type that only has a rubber bumper
- Reduced impact noise
- No need to adjust the cushion needle
- Shorter cycle time
  - The air cushion + rubber bumper construction enables the cycle time to be shortened, compared to the type that only has an air cushion.



## Specifications

Bore size [mm]	20	25	32	40
Allowable kinetic energy	0.27 J	0.4 J	0.65 J	1.2 J
Head cover shape	Basic (Integrated clevis)		Double end boss-cut	
Stroke	50, 80, 100, 125, 160, 200, 250, 300			
Mounting bracket	None*1			
Operating speed	50 to 1500 mm/s			

\*1 Mounting brackets should be ordered separately. For details, refer to the **Web Catalog**.

\* Specifications other than those shown to the left are the same as those of the standard type. For details, refer to the **Web Catalog**.

## How to Order

● Basic (Integrated clevis)

$\varnothing 20, \varnothing 25$

**C D 85 N 20 - 50 C - M9BW - X3242**

①                      ②                      ③                      ④                      ⑤

● Non-adjustable air cushion type

$\varnothing 32, \varnothing 40$

**C D 75 E 32 - 50 C - M9BW - X3242**

①                      ②                      ③                      ④                      ⑤

● Double end boss-cut

● Air cushion + Rubber bumper

\* Mounting brackets should be ordered separately. For details, refer to the **Web Catalog**.

**① Built-in magnet**

Nil	None
D	Built-in magnet

**② Bore size**

Series	Bore size	Stroke
	C85	20
25		25 mm
C75	32	32 mm
	40	40 mm

**③ Standard stroke**

Series	Bore size [mm]	Standard stroke [mm]	Max. manufacturable stroke [mm]
C85	20	50, 80, 100, 125, 160, 200, 250, 300	1000
	25		
C75	32		
	40		

**④ Auto switch**

Nil	Without auto switch
-----	---------------------

\* Applicable auto switches (band mounting only) are the same as those for the standard model. Auto switches are shipped together with the product. For details, refer to the **Web Catalog**.

**⑤ Number of auto switches**

Nil	2
S	1
n	n

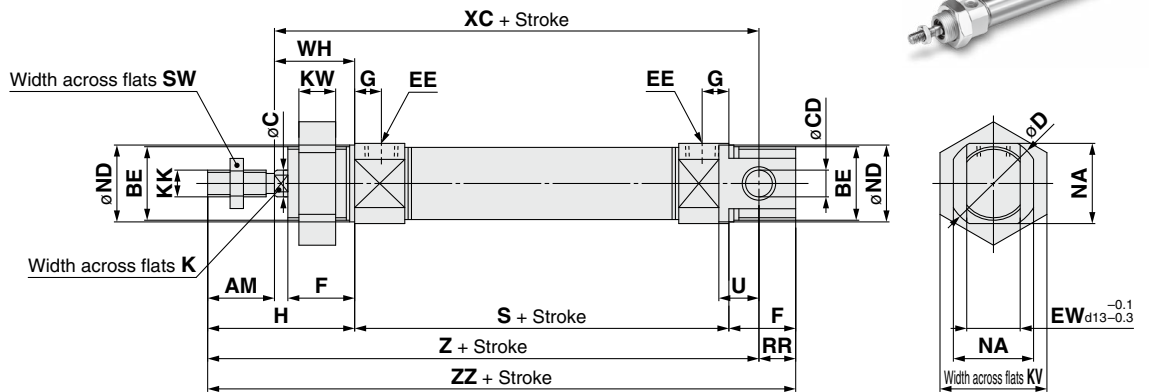
# C85-X3242/C75-X3242



# C85-X3242/C75-X3242

## Dimensions

### Basic (Integrated clevis): C□85N-X3242

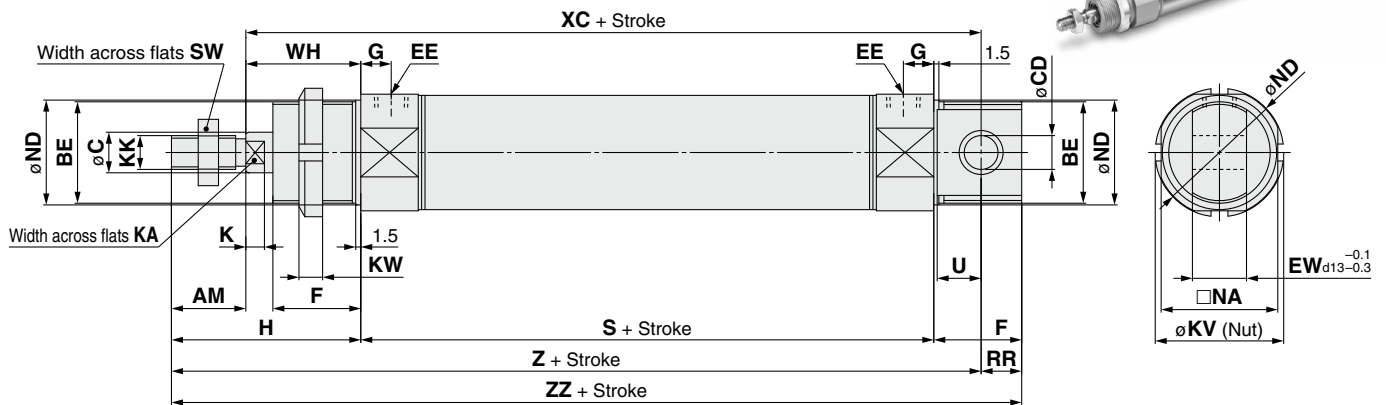


Series	Bore size	AM	BE	C	CD <sub>H10</sub>	D	EE	EW	F	G	H	K	KK
C85	20	20	M22 x 1.5	8	8	28	G1/8	16	20	8	44	6	M8 x 1.25
	25	22	M22 x 1.5	10	8	33.5	G1/8	16	22	8	50	8	M10 x 1.25

Series	Bore size	KV	KW	NA	ND <sub>h8</sub>	RR	S	SW	U	WH	XC	Z	ZZ
C85	20	32	11	24	22	11	62	13	12	24	95	115	126
	25	32	11	30	22	11	65	17	12	28	104	126	137

### Double end boss-cut: C□75E-X3242



Series	Bore size	AM	BE	C	CD <sub>H10</sub>	D	EE	EW	F	G	H	K	KA	KK
C75	32	22	M30 x 1.5	12	10	37.5	G1/8	16	26	9	56	5.5	10	M10 x 1.25
	40	24	M38 x 1.5	14	12	46.5	G1/4	18	30	12	63	7	12	M12 x 1.25

Series	Bore size	KV	KW	NA	ND <sub>h8</sub>	RR	S	SW	U	WH	XC	Z	ZZ
C75	32	38	7	34.5	30	12	69.5	17	13	34	117.5	139.5	151.5
	40	50	8	42.5	38	14	84.6	19	15	39	139.6	163.6	177.6

**⚠ Safety Instructions** Be sure to read the "Handling Precautions for SMC Products" (M-E03-3) and "Operation Manual" before use.