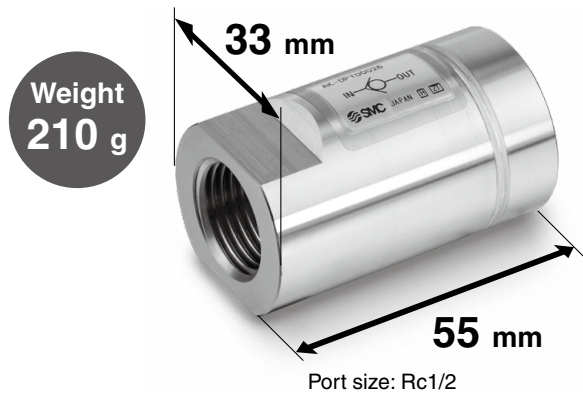
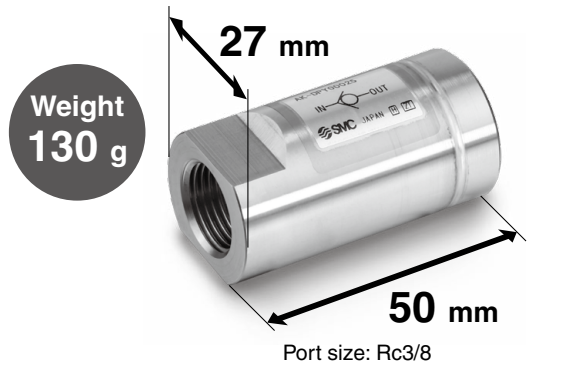


High Pressure Coolant Check Valve

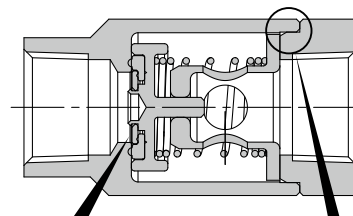
RoHS

Max. operating pressure: 15 MPa

■ Compact and lightweight



■ Structure that prevents foreign matter from piling up around the main valve



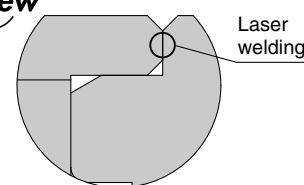
High seal reliability

Valve leakage: 1 mL or less

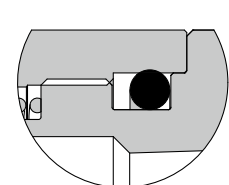
Laser-welded connection prevents looseness

New

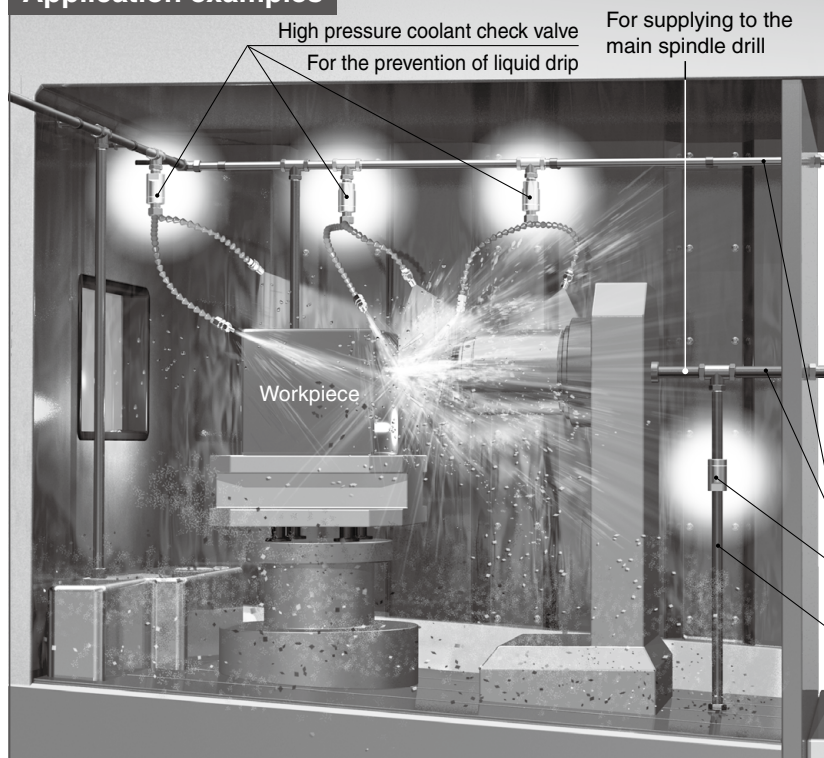
Welding



Thread + O-ring



Application examples

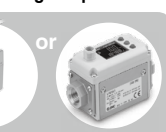
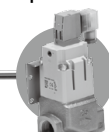


Related Products

* Refer to the **Web Catalog** for details.

Low-pressure lines

For checking low pressure



Medium- and high-pressure lines

For checking high pressure

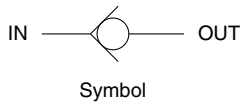


AK-DPY00025/26



21-E775

AK-DPY00025/26



Model

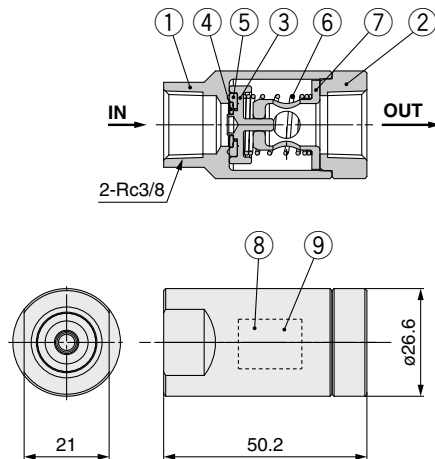
Model	Port size	
	Rc3/8	Rc1/2
AK-DPY00025	●	—
AK-DPY00026	—	●

Specifications

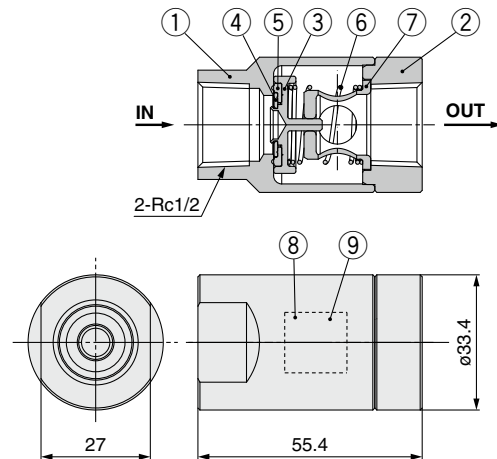
Fluid	Coolant (Liquid that does not corrode the material used)
Proof pressure	22.5 MPa
Max. operating pressure	15 MPa
Min. operating pressure	0.1 MPa
Ambient and fluid temperatures	-10 to 60°C (No freezing)
Port size	Rc3/8, Rc1/2

Construction/Dimensions

AK-DPY00025



AK-DPY00026



Component Parts

No.	Description	Material
1	Body A	Stainless steel 304
2	Body B	Stainless steel 304
3	Valve A	Stainless steel 303
4	Valve B	Stainless steel 303
5	Valve seal	FKM
6	Spring	Stainless steel 304
7	Stopper	Stainless steel 303
8	Heat-transferred label	PET
9	Over laminate	PET

* Laminated to prevent peeling of the nameplate

⚠ Safety Instructions Be sure to read the "Handling Precautions for SMC Products" (M-E03-3) and "Operation Manual" before use.