

## Diaphragm



# 2107 SERIES

115v/110v

## MODELS

Standard models

**2107CA20**

**2107CEF20**

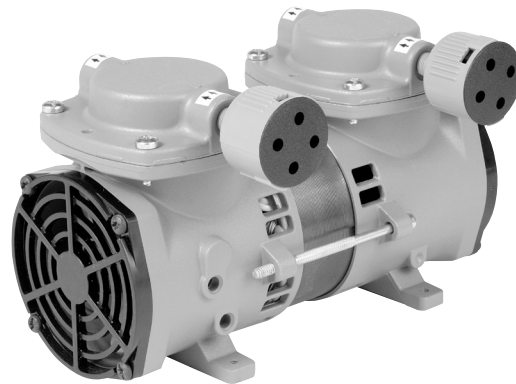
*Other models based  
on availability and  
minimum purchase.*

**2107CA14**

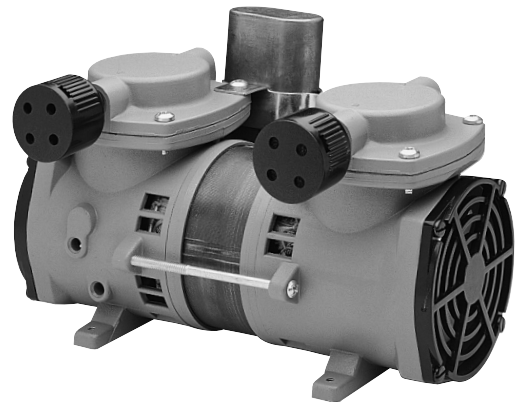
**2107CA18**

**2107CEF14**

**2107CEF18**



2107CA



2107CEF

## FEATURES

- Oil-less operation
- Permanently lubricated bearings
- Stainless steel valves and lapped aluminum valve plates
- Die-cast aluminum heads and diaphragm hold down plates
- Balanced for smooth, low vibration operation
- Long-life diaphragms
- Field service capability
- Dichromate conversion treated aluminum
- 115v, UL recognized motor and thermal protector
- Inlet filter
- Consult factory for non-standard models
- Service Kit 650126

Consult factory for custom applications

ISO 9001  
CERTIFIED

**THOMAS**  
A Gardner Denver Product

USAThomas.com

(800) 799-4568 | 3810 Prospect Ave, Ste. A, Yorba Linda, CA 92886

# 2107 Series Performance Data

		2107CA14		2107CA18		Standard 2107CA20	
<b>MODEL NUMBER</b>		2107CA14		2107CA18		Standard 2107CA20	
<b>HEAD CONFIGURATION</b>		Pressure/Vacuum		Pressure/Vacuum		Pressure/Vacuum	
<b>STROKE</b>		.140 Inches		.180 Inches		.200 Inches	
<b>PRESSURE</b>		Flow @ 115v		Flow @ 115v		Flow @ 115v	
CFM @ PSI	LPM @ bar						
PSI	bar	CFM	LPM	CFM	LPM	CFM	LPM
0	0	1.10	31.1	1.60	45.3	1.65	46.7
5	.5	.84	20.2	1.25	31.6	1.33	33.6
10	1.0	.56	8.5	.95	19.2		
15	1.5	.27					
20	2.0	.09					
25	3.0						
30							
35							
<b>MAX. CONTINUOUS PRESSURE</b>		20 PSI	1.4 bar	5 PSI	.3 bar	5 PSI	.3 bar
<b>MAX. INTERMITTENT PRESSURE</b>		20 PSI	1.4 bar	10 PSI	.7 bar	5 PSI	.3 bar
<b>VACUUM</b>		Flow @ 115v		Flow @ 115v		Flow @ 115v	
CFM @ IN. hg	LPM @ mbar (gauge)						
IN. hg	mbar (gauge)	CFM	LPM	CFM	LPM	CFM	LPM
0	0	1.10	31.1	1.60	45.3	1.65	46.7
5	-100	.86	27.1	1.10	37.0	1.15	38.4
10	-200	.55	22.8	.74	29.3	.77	30.6
15	-400	.24	12.4	.43	17.8	.47	18.7
20	-600		2.0	.14	7.7	.17	8.7
25	-800						
<b>MAX. VACUUM</b>		20.0" hg	-677 mbar	22.7" hg	-769 mbar	23.2" hg	-786 mbar
<b>MAX. AMBIENT AIR TEMP.</b>		104° F	40°C	104° F	40°C	104° F	40°C
<b>MIN. AMBIENT START TEMP.</b>		50° F	10°C	50° F	10°C	50° F	10°C
<b>MAX. RESTART PRESSURE</b>		0 PSI	0 bar	0 PSI	0 bar	0 PSI	0 bar
<b>MAX. RESTART VACUUM</b>		0" hg	0 mbar	0" hg	0 mbar	0" hg	0 mbar
<b>MOTOR VOLTAGE/FREQUENCY</b>		115/60/1		115/60/1		115/60/1	
<b>MOTOR TYPE</b>		Shaded Pole		Shaded Pole		Shaded Pole	
<b>CURRENT AT RATED LOAD (AMPS)</b>		1.5		1.6		1.6	
<b>POWER AT RATED LOAD (WATTS)</b>		100		114		123	
<b>STARTING CURRENT (LOCKED ROTOR, AMPS)</b>		2.6		2.6		2.6	
<b>CAPACITOR VALUE</b>							
<b>MIN. FULL LOAD SPEED (RPM)</b>		1675		1575		1524	
<b>THERMAL PROTECTOR</b>		Yes		Yes		Yes	
<b>NET WEIGHT</b>		6 lbs.	2.7 Kg	6 lbs.	2.7 Kg	6 lbs.	2.7 Kg

The information presented in this material is based on technical data and test results of nominal units. It is believed to be accurate and reliable and is offered as an aid to help in the selection of Thomas products. It is the responsibility of the user to determine the suitability of the product for his intended use and the user assumes all risk and liability whatsoever in connection therewith. Thomas Industries does not warrant, guarantee or assume any obligation or liability in connection with this information.

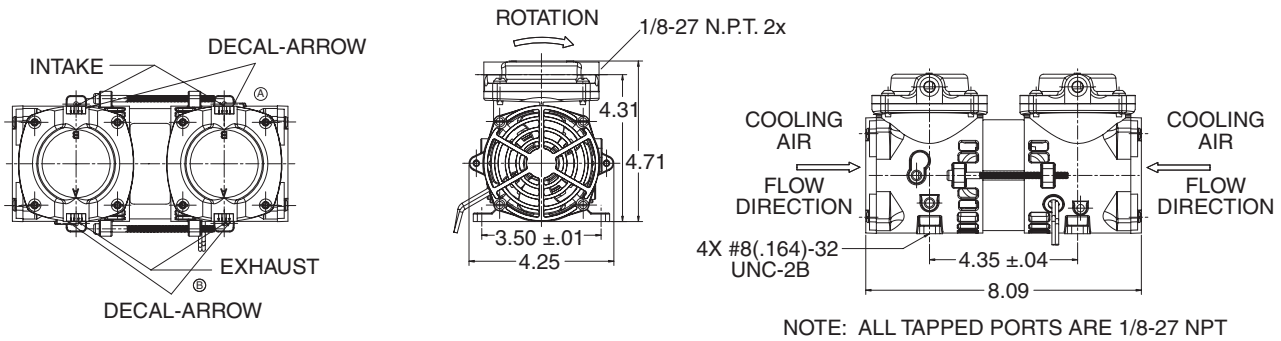
**NOTE:** Models pictured are representative of the series and do not represent a specific model number. Consult factory for detailed physical description.

# 2107 Series Performance Data

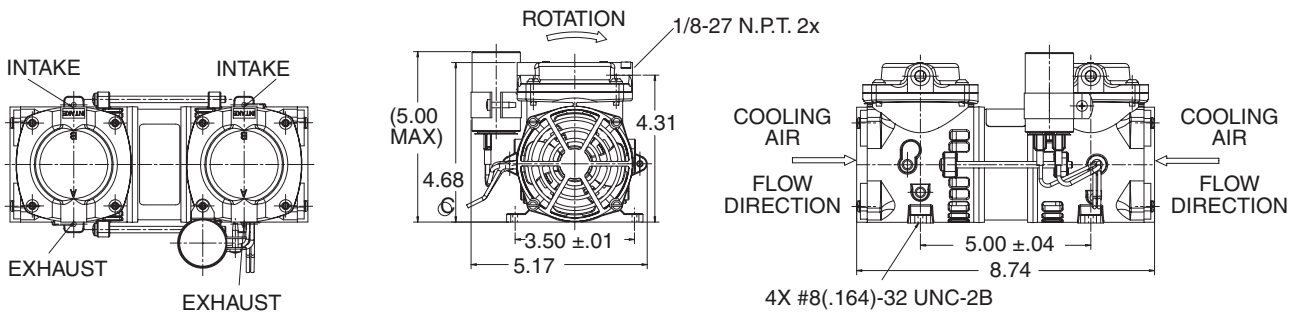
MODEL NUMBER		2107CEF14		2107CEF18		Standard 2107CEF20	
HEAD CONFIGURATION		Pressure/Vacuum		Pressure/Vacuum		Pressure/Vacuum	
STROKE		.140 Inches		.180 Inches		.200 Inches	
PRESSURE		Flow @ 115/110v		Flow @ 115/110v		Flow @ 115/110v	
CFM @ PSI	LPM @ bar						
PSI	bar	CFM	LPM	CFM	LPM	CFM	LPM
0	0	1.10/.92	31.1/26.1	1.50/1.29	42.5/36.5	1.65/1.40	46.7/39.6
5	.5	.97/.81	23.5/19.0	1.24/1.07	32.7/27.5	1.40/1.20	36.5/31.4
10	1.0	.66/.50	13.8/9.6	1.05/.85	24.9/19.0	1.15/1.00	26.2/23.2
15	1.5	.47/.32	4.9/4.1	.86/.65	17.5/12.5		
20	2.0	.25/.19		.68/.50	10.1/6.8		
25	3.0			.50/.33			
30				.32/.22			
35							
MAX. CONTINUOUS PRESSURE		20 PSI	1.4 bar	20 PSI	1.4 bar	10 PSI	.7 bar
MAX. INTERMITTENT PRESSURE		20 PSI	1.4 bar	30 PSI	2.1 bar	10 PSI	.7 bar
VACUUM		Flow @ 115/110v		Flow @ 115/110v		Flow @ 115/110v	
CFM @ IN. hg	LPM @ mbar (gauge)						
IN. hg	mbar (gauge)	CFM	LPM	CFM	LPM	CFM	LPM
0	0	1.10/.92	31.1/26.1	1.50/1.29	42.5/36.5	1.65/1.40	46.7/39.6
5	-100	.86/.72	27.1/22.7	1.10/.91	35.8/30.2	1.19/1.00	39.0/33.0
10	-200	.52/.45	22.6/19.0	.75/.62	29.4/24.3	.85/.70	32.0/26.8
15	-400	.25/.20	12.0/10.2	.41/.34	17.7/14.7	.49/.40	20.4/16.7
20	-600		3.0/1.8	.13/.10	7.3/6.0	.18/.14	9.1/7.3
25	-800						
MAX. VACUUM		20.0" hg	-677 mbar	22.6" hg	-766 mbar	23.3" hg	-789 mbar
MAX. AMBIENT AIR TEMP.		104° F	40°C	104° F	40°C	104° F	40°C
MIN. AMBIENT START TEMP.		50° F	10°C	50° F	10°C	50° F	10°C
MAX. RESTART PRESSURE		0 PSI	0 bar	0 PSI	0 bar	0 PSI	0 bar
MAX. RESTART VACUUM		0" hg	0 mbar	0" hg	0 mbar	0" hg	0 mbar
MOTOR VOLTAGE/FREQUENCY		115/60/1-110/50/1		115/60/1-110/50/1		115/60/1-110/50/1	
MOTOR TYPE		Permanent Split Capacitor		Permanent Split Capacitor		Permanent Split Capacitor	
CURRENT AT RATED LOAD (AMPS)		.9/1.1		1.1/1.2		1.1/1.2	
POWER AT RATED LOAD (WATTS)		85/80		108/100		108/105	
STARTING CURRENT (LOCKED ROTOR, AMPS)		1.6/1.9		1.6/1.9		1.6/1.9	
CAPACITOR VALUE		5 mfd		5 mfd		5 mfd	
MIN. FULL LOAD SPEED (RPM)		1650/1375		1550/1285		1500/1245	
THERMAL PROTECTOR		Yes		Yes		Yes	
NET WEIGHT		7 lbs.	3.1 Kg	7 lbs.	3.1 Kg	7 lbs.	3.1 Kg

# Dimensions

## 2107CA



## 2107CEF



**THOMAS**  
A Gardner Denver Product