

DIAPHRAGM

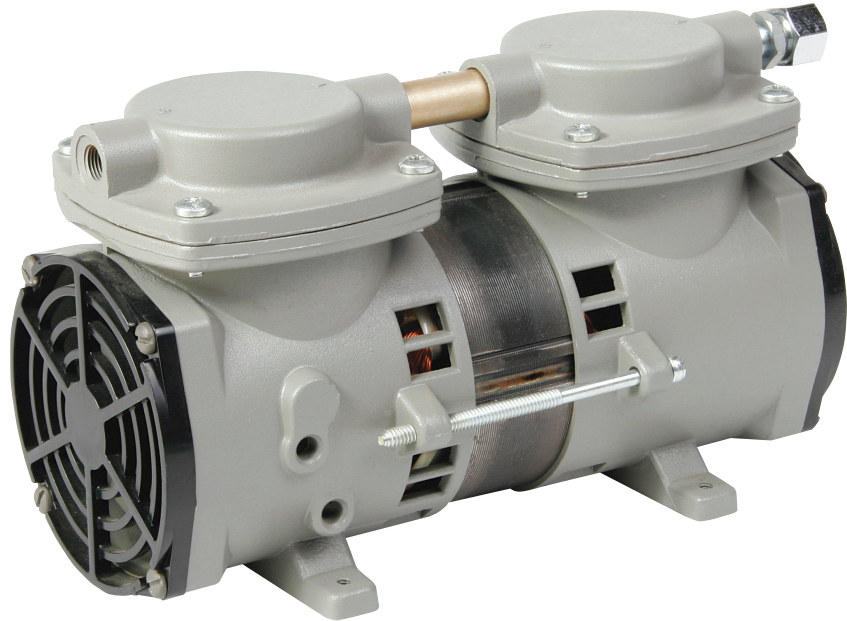


2107 SERIES

115V/220V

MODELS

2107VA20
2107VD20



FEATURES

- Oil-less operation
- Permanently lubricated bearings
- Stainless steel valves and lapped aluminum valve plates
- Die-cast aluminum heads and diaphragm hold down plates
- Balanced for smooth, low vibration operation
- Long-life diaphragms
- Field service capability
- 115 volt UL recognized motor and thermal protector
- Inlet filter
- Service Kit 650126

Declaration documentation for applicable models available upon request

Consult factory for custom applications

Thomas Division is an ISO 9001 registered company

THOMAS
A Gardner Denver Product

USAThomas.com

(800) 799-4568 | 3810 Prospect Ave, Ste. A, Yorba Linda, CA 92886

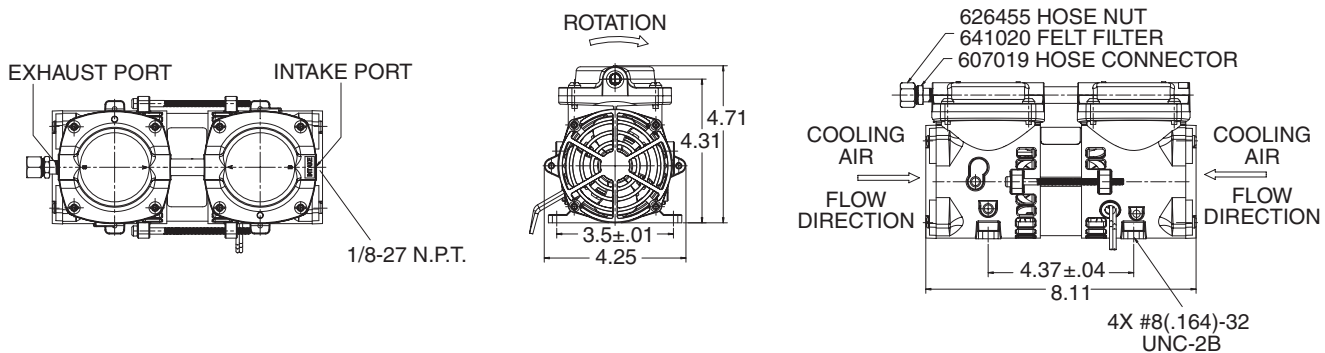
2107 Series Performance Data

MODEL NUMBER		2107VA20		2107VD20	
HEAD CONFIGURATION		Vacuum		Vacuum	
STROKE		.200 inches		.200 inches	
VACUUM		Flow @ 115v		Flow @ 220v	
cfm @ in. Hg	l/min @ mbar (gauge)				
in. Hg	mbar (gauge)	cfm	l/min	cfm	l/min
0	0	.85	24.1	.72	20.4
5	-100	.65	20.7	.56	17.7
10	-200	.49	17.6	.42	15.1
15	-400	.33	12.2	.29	10.6
20	-600	.20	7.3	.17	6.4
25	-800		3.0		2.4
MAX. VACUUM		28.2" in. Hg	-956 mbar	28.3" in. Hg	-959 mbar
MAX. AMBIENT AIR TEMP.		104° F	40(°C)	104° F	40(°C)
MIN. AMBIENT START TEMP.		50° F	10(°C)	50° F	10(°C)
MAX. RESTART VACUUM		0" in. Hg	0 mbar	0" in. Hg	0 mbar
MOTOR VOLTAGE/FREQUENCY		115/60/1		220/50/1	
MOTOR TYPE		Shaded Pole		Shaded Pole	
CURRENT AT RATED LOAD (AMPS)		2.2A		.7A	
POWER AT RATED LOAD (WATTS)		142W		91W	
STARTING CURRENT (LOCKED ROTOR, AMPS)		4.0A		1.3A	
MIN. FULL LOAD SPEED (RPM)		1700 rpm		1420 rpm	
THERMAL PROTECTOR		Yes		Yes	
NET WEIGHT		6.3 lb.	2.8 (kg)	6.3 lb.	2.8 (kg)

The information presented in this material is based on technical data and test results of nominal units. It is believed to be accurate and reliable and is offered as an aid to help in the selection of Thomas products. It is the responsibility of the user to determine the suitability of the product for his intended use and the user assumes all risk and liability whatsoever in connection therewith. Thomas Products does not warrant, guarantee or assume any obligation or liability in connection with this information.

NOTE: Models pictured are representative of the series and do not represent a specific model number. Consult factory for detailed physical description.

2107VA20, 2107VD20



THOMAS
A Gardner Denver Product