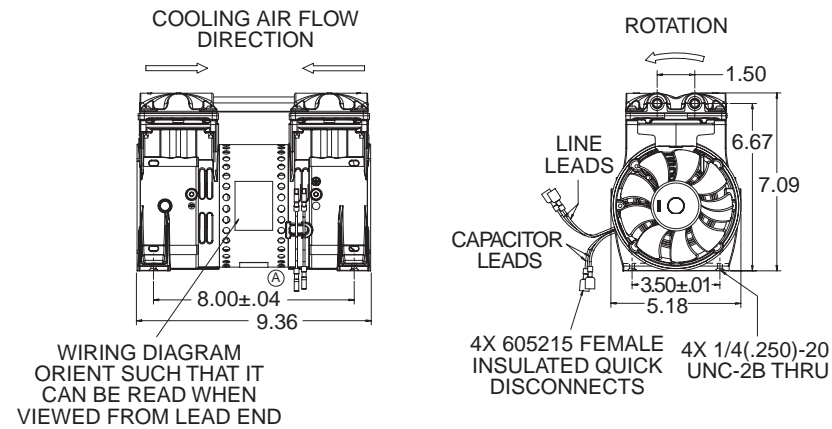
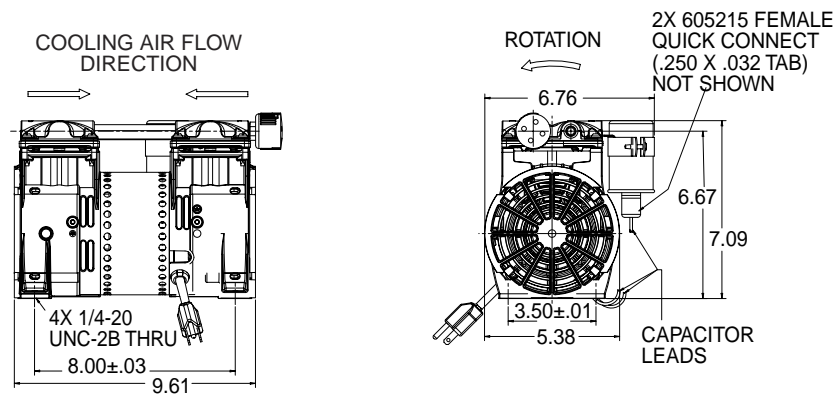


Dimensions

2668



2688



MODEL	A
2668	#8-32 UNC-2B
2688	THREAD THRU
2660/2669	1/4-20 UNC-2B
2680/2689	THREAD THRU

Patent No. 6056521



Printed in U.S.A. Form No. 850-3175 7/06
©2006 Gardner Denver Thomas, Inc. All rights reserved.

WOB-L™



2668/2688 SERIES

MODELS

Standard models
2668CE22
2668CE44
2668CHI22
2668CHI44
2688CE22
2688CE44
2688CHI22
2688CHI44

Other models based on availability and minimum purchase.

2668CE32
 2668CE40
 2668CHI32
 2668CHI40
 2668CS44
 2688CE32
 2688CE40
 2688CHI32
 2688CHI40
 2688CS44



FEATURES

- Head design allows easily replaced piston seal
- Oil-less, non-lube piston and cylinder
- Permanently lubricated bearings
- Stainless steel valves
- Lightweight die cast aluminum components
- Long-life, high performance piston seal
- Thin wall, hard-coated aluminum cylinder for maximum heat transfer
- Twin fans provide cooling air through and around motor and cylinders
- Dual intake/exhaust manifold system for easy piping
- Balanced for smooth, low vibration operation
- Field service capability
- Inlet filter
- Capacitor
- All wetted aluminum parts treated for corrosion protection from moisture
- Patented one piece head for fewer parts and reduced leak paths
- UL Recognized motor and thermal protector, 115v/60Hz models
- CE/TUV approved, 220-240/50Hz models (Consult factory for non-standard models)
- Kit options: Guards/Capacitor cover/Cords

Consult factory for custom applications



USAThomas.com

(800) 799-4568 | 3810 Prospect Ave, Ste. A, Yorba Linda, CA 92886

2668 & 2688 Series Performance Data

MODEL NUMBERS		Standard		2668CE32		2668CE40		Standard	
		2668CE22	2688CE22	2668CE32	2688CE32	2668CE40	2688CE40	2668CE44	2688CE44
HEAD CONFIGURATION		Pressure/Vacuum		Pressure/Vacuum		Pressure/Vacuum		Pressure/Vacuum	
STROKE		.220 Inches		.320 Inches		.400 Inches		.440 Inches	
PRESSURE		Flow @ 115v		Flow @ 115v		Flow @ 115v		Flow @ 115v	
CFM @ PSI	LPM @ bar								
PSI	bar	CFM	LPM	CFM	LPM	CFM	LPM	CFM	LPM
0	0	1.68	47.6	2.40	68.0	2.95	83.5	3.15	89.2
10	.5	1.55	45.0	2.25	64.9	2.75	79.4	2.93	84.7
20	1.0	1.40	42.0	2.05	61.2	2.50	74.7	2.72	80.3
30	1.5	1.25	38.9	1.85	57.1	2.30	69.8		76.0
40	2.0	1.10	35.9	1.70	53.0		65.7		71.7
50	3.0	.95	29.7	1.50	46.1				
60	5.0	.80	19.1						
70	7.0	.70	10.9						
80		.60							
90		.50							
100		.40							
MAX. CONTINUOUS PRESSURE		100 PSI	6.9 bar	50 PSI	3.4 bar	30 PSI	2.1 bar	25 PSI	1.7 bar
MAX. INTERMITTENT PRESSURE		100 PSI	6.9 bar	50 PSI	3.4 bar	30 PSI	2.1 bar	25 PSI	1.7 bar
VACUUM		Flow @ 115 v		Flow @ 115 v		Flow @ 115 v		Flow @ 115 v	
CFM @ IN. hg	LPM @ mbar (gauge)								
IN. hg	mbar (gauge)	CFM	LPM	CFM	LPM	CFM	LPM	CFM	LPM
0	0	1.68	47.6	2.40	68.0	2.95	83.5	3.15	89.2
5	-100	1.20	39.6	1.60	54.6	2.05	68.5	2.30	75.0
10	-200	.93	32.6	1.20	43.3	1.50	55.2	1.60	61.5
15	-400	.63	23.3	.89	30.8	1.00	37.3	1.10	40.2
20	-600	.33	13.2	.49	19.0	.59	22.0	.64	24.1
25	-800		3.2		5.7	.16	7.9	.18	8.7
MAX. VACUUM		26.2" hg	-887 mbar	27.0" hg	-914 mbar	27.4" hg	-928 mbar	27.6" hg	-935 mbar
MAX. AMBIENT AIR TEMP.		104° F	40°C	104° F	40°C	104° F	40°C	104° F	40°C
MIN. AMBIENT START TEMP.		50° F	10°C	50° F	10°C	50° F	10°C	50° F	10°C
MAX. RESTART PRESSURE		0 PSI	0 bar	0 PSI	0 bar	0 PSI	0 bar	0 PSI	0 bar
MAX. RESTART VACUUM		0"hg	0mbar	0"hg	0mbar	0"hg	0mbar	0"hg	0mbar
MOTOR VOLTAGE/FREQUENCY		115/60/1		115/60/1		115/60/1		115/60/1	
MOTOR TYPE		Permanent Split Cap.		Permanent Split Cap.		Permanent Split Cap.		Permanent Split Cap.	
CURRENT AT RATED LOAD (AMPS)		3.3		3.9		4.5		4.7	
POWER AT RATED LOAD (WATTS)		250		370		440		470	
STARTING CURRENT (LOCKED ROTOR, AMPS)		12.8		12.8		12.8		12.8	
CAPACITOR VALUE		7 mfd		7 mfd		7 mfd		7 mfd	
MIN. FULL LOAD SPEED (RPM)		1740		1670		1630		1600	
THERMAL PROTECTOR		Yes		Yes		Yes		Yes	
NET WEIGHT		14.3 lbs.	6.5 kg	15.3 lbs.	6.9 kg	16.1 lbs.	7.3 kg	16.1 lbs.	7.3 kg

The information presented in this material is based on technical data and test results of nominal units. It is believed to be accurate and reliable and is offered as an aid to help in the selection of Thomas products. It is the responsibility of the user to determine the suitability of the product for his intended use and the user assumes all risk and liability whatsoever in connection therewith. Thomas Industries does not warrant, guarantee or assume any obligation or liability in connection with this information.

NOTE: Models pictured are representative of the series and do not represent a specific model number. Consult factory for detailed physical description.

NOTE: 2668 models do not have fan guard or cord standard, these are options. 2688 models include fan guard and cord standard.

2668 & 2688 Series Performance Data

MODEL NUMBERS		Standard		2668CHI32		2668CHI40		Standard	
		2668CHI22	2688CHI22	2668CHI32	2688CHI32	2668CHI40	2688CHI40	2668CHI44	2688CHI44
HEAD CONFIGURATION		Pressure/Vacuum		Pressure/Vacuum		Pressure/Vacuum		Pressure/Vacuum	
STROKE		.220 Inches		.320 Inches		.400 Inches		.440 Inches	
PRESSURE		Flow @ 220/240v		Flow @ 220/240v		Flow @ 220/240v		Flow @ 220/240v	
CFM @ PSI	LPM @ bar								
PSI	bar	CFM	LPM	CFM	LPM	CFM	LPM	CFM	LPM
0	0	1.40	39.7	2.00	56.6	2.50	70.8	2.70	76.5
10	.5	1.25	36.6	1.80	52.5	2.40	68.7	2.50	72.3
20	1.0	1.13	33.9	1.60	48.4	2.30	66.7	2.25	67.6
30	1.5	1.10	31.8	1.42	44.4	2.05	63.9		62.5
40	2.0	.85	31.2	1.25	40.7		58.8		57.3
50	3.0	.71	22.7	1.10	34.0				
60	5.0	.60	13.3						
70	7.0	.50	5.9						
80		.38							
90		.30							
100		.22							
MAX. CONTINUOUS PRESSURE		100 PSI	6.9 bar	50 PSI	3.4 bar	30 PSI	2.1 bar	25 PSI	1.7 bar
MAX. INTERMITTENT PRESSURE		100 PSI	6.9 bar	50 PSI	3.4 bar	30 PSI	2.1 bar	25 PSI	1.7 bar
VACUUM		Flow @ 220/240 v		Flow @ 220/240 v		Flow @ 220/240 v		Flow @ 220/240 v	
CFM @ IN. hg	LPM @ mbar (gauge)								
IN. hg	mbar (gauge)	CFM	LPM	CFM	LPM	CFM	LPM	CFM	LPM
0	0	1.40	39.7	2.00	56.6	2.50	70.8	2.70	76.5
5	-100	1.00	33.0	1.40	46.6	1.70	57.4	2.00	64.7
10	-200	.80	27.3	1.10	38.1	1.30	46.1	1.40	53.6
15	-400	.39	18.5	.74	27.5	.91	32.8	.98	35.3
20	-600	.29	9.5	.43	16.2	.52	19.8	.57	21.4
25	-800		6.2		5.8		6.7		7.7
MAX. VACUUM		26.3" hg	-891 mbar	26.9" hg	-911 mbar	27.4"hg	-928 mbar	27.6"hg	-935 mbar
MAX. AMBIENT AIR TEMP.		104° F	40°C	104° F	40°C	104° F	40°C	104° F	40°C
MIN. AMBIENT START TEMP.		50° F	10°C	50° F	10°C	50° F	10°C	50° F	10°C
MAX. RESTART PRESSURE		0 PSI	0 bar	0 PSI	0 bar	0 PSI	0 bar	0 PSI	0 bar
MAX. RESTART VACUUM		0"hg	0mbar	0"hg	0mbar	0"hg	0mbar	0"hg	0mbar
MOTOR VOLTAGE/FREQUENCY		220-240/50/1		220-240/50/1		220-240/50/1		220-240/50/1	
MOTOR TYPE		Permanent Split Cap.		Permanent Split Cap.		Permanent Split Cap.		Permanent Split Cap.	
CURRENT AT RATED LOAD (AMPS)		1.2		1.4		1.5		1.6	
POWER AT RATED LOAD (WATTS)		210		270		315		325	
STARTING CURRENT (LOCKED ROTOR, AMPS)		3.6		3.8		3.8		3.8	
CAPACITOR VALUE		7 mfd		7 mfd		7 mfd		7 mfd	
MIN. FULL LOAD SPEED (RPM)		1410		1350		1300		1290	
THERMAL PROTECTOR		Yes		Yes		Yes		Yes	
NET WEIGHT		14.3 lbs.	6.5 kg	15.3 lbs.	6.9 kg	16.1 lbs.	7.3 kg	16.1 lbs.	7.3 kg