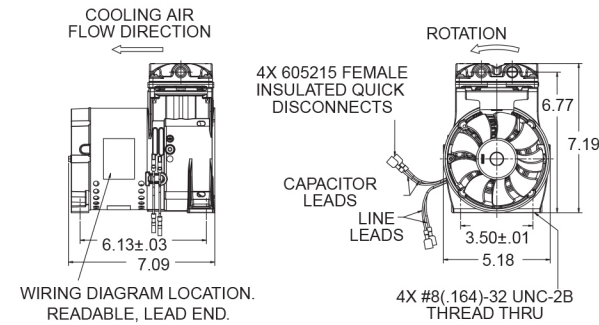
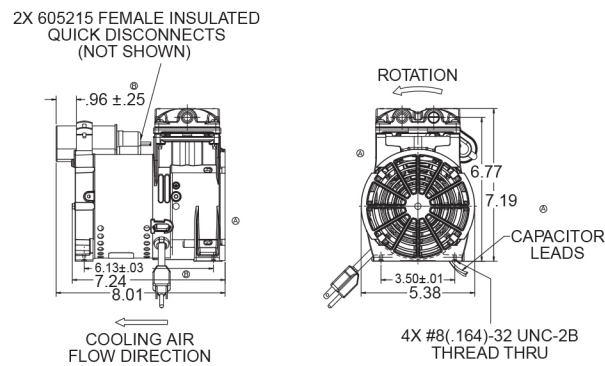


Dimensions

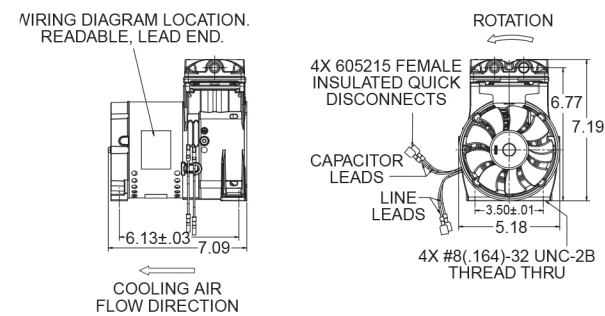
668CE



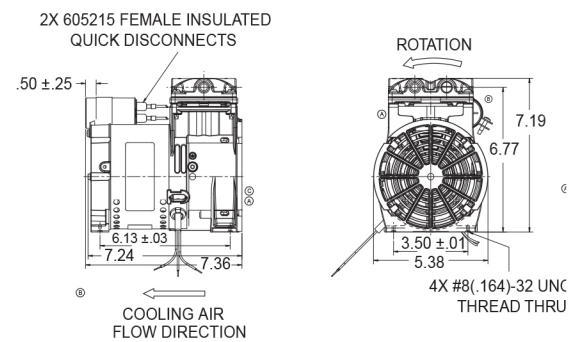
688CE



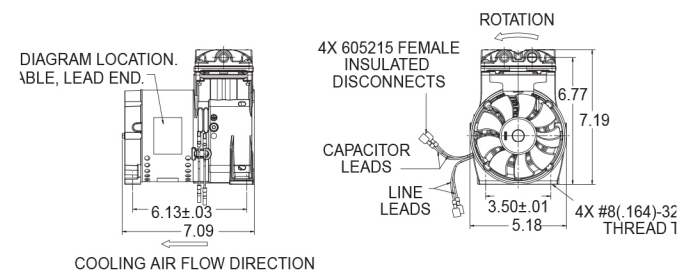
668CGHI



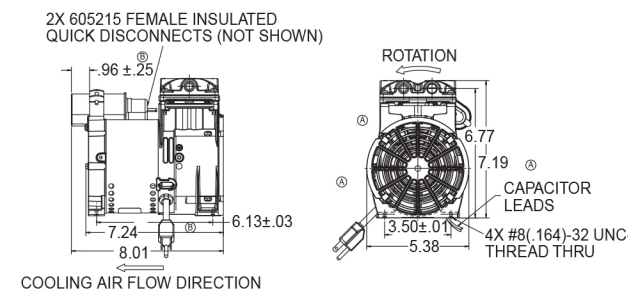
688CGHI



668CS



688CS



THOMAS
A Gardner Denver Product

WOB-L™



668/688 SERIES

MODELS

Standard models

668CE44
668CGHI44

688CE44
688CGHI44

Other models based on availability and minimum purchase.

668CE22
668CE32
668CE40
668CGHI22
668CGHI32
668CGHI40
668CS44

688CE22
688CE32
688CE40
688CGHI32
688CGHI40
688CS44



FEATURES

- Oil-less, non-lube piston and cylinder
- Permanently lubricated bearings
- Stainless steel valves
- Lightweight diecast aluminum components
- Long-life, high performance piston seal
- Thin wall, hard coated aluminum cylinder for maximum heat transfer
- Low noise design
- High efficiency, permanent split capacitor motor
- 115 Volt, UL recognized motor and thermal protector
- Balanced for smooth, low vibration operation
- Intake filter
- Six foot cord and plug assembly (688)
- Field service capability
- All wetted aluminum parts treated for corrosion protection from moisture
- Open drip proof motor shell
- CE approval on all standard 220-240/50 Hz models (Consult factory for non-standard and TUV approved models)

Consult factory for custom applications

ISO 9001
CERTIFIED

THOMAS
A Gardner Denver Product

668 Series Performance Data

MODEL NUMBERS	668CE22 688CE22		668CE32 688CE32		668CE40 688CE40		Standard 668CE44 688CE44			
	Pressure/Vacuum		Pressure/Vacuum		Pressure/Vacuum		Pressure/Vacuum			
HEAD CONFIGURATION										
STROKE	.220 Inches		.320 Inches		.400 Inches		.440 Inches			
PRESSURE	Flow @ 115v		Flow @ 115v		Flow @ 115v		Flow @ 115v			
CFM @ PSI	LPM @ bar									
PSI	bar	CFM	LPM	CFM	LPM	CFM	LPM	CFM	LPM	
0	0	0.84	23.8	1.22	34.5	1.52	43.0	1.60	45.3	
10	.5	0.74	21.7	1.08	31.7	1.45	41.6	1.48	42.8	
20	1.0	0.66	19.9	1.00	29.6	1.35	39.8	1.37	40.5	
30	1.5	0.56	18.2	0.90	27.8	1.25	37.7	1.29	38.4	
40	2.0	0.48	16.1	0.80	25.8	1.15	35.7	1.21	36.8	
50	3.0	0.40	12.8	0.70	21.7	1.01	31.2	1.13	33.5	
60	5.0	0.33	7.2	0.60	15.1	0.92	22.9	1.05	27.3	
70	7.0	0.27	3.2	0.55	9.9	0.83	15.5	0.98	21.1	
80		0.21		0.48		0.74		0.91		
90		0.16		0.42		0.65		0.84		
100		0.12		0.36		0.56		0.76		
MAX. CONTINUOUS PRESSURE	100 PSI	6.9 bar	100 PSI	6.9 bar	100 PSI	6.9 bar	100 PSI	6.9 bar	100 PSI	6.9 bar
MAX. INTERMITTENT PRESSURE	100 PSI	6.9 bar	100 PSI	6.9 bar	100 PSI	6.9 bar	100 PSI	6.9 bar	100 PSI	6.9 bar
VACUUM	Flow @ 115 v		Flow @ 115 v		Flow @ 115 v		Flow @ 115 v		Flow @ 115 v	
CFM @ IN. hg	LPM @ mbar (gauge)									
IN. hg	mbar (gauge)	CFM	LPM	CFM	LPM	CFM	LPM	CFM	LPM	
0	0	0.84	23.8	1.22	34.5	1.52	43.0	1.60	45.3	
5	-100	0.62	20.1	0.87	28.7	1.04	35.0	1.15	37.8	
10	-200	0.47	16.8	0.65	23.5	0.82	28.3	0.90	31.3	
15	-400	0.30	11.6	0.45	16.4	0.57	20.7	0.62	22.6	
20	-600	0.14	6.0	0.24	9.5	0.30	12.0	0.33	13.1	
MAX. VACUUM	26.0" hg	-880 mbar	26.9" hg	-911 mbar	27.3" hg	-924 mbar	27.6" hg	-935 mbar	27.6" hg	-935 mbar
MAX. AMBIENT AIR TEMP.	104° F	40°C	104° F	40°C	104° F	40°C	104° F	40°C	104° F	40°C
MIN. AMBIENT START TEMP.	50° F	10°C	50° F	10°C	50° F	10°C	50° F	10°C	50° F	10°C
MAX. RESTART PRESSURE	0 PSI	0 bar	0 PSI	0 bar	0 PSI	0 bar	0 PSI	0 bar	0 PSI	0 bar
MAX. RESTART VACUUM	0"hg	0 mbar	0"hg	0 mbar	0"hg	0 mbar	0"hg	0 mbar	0"hg	0 mbar
MOTOR VOLTAGE/FREQUENCY	115/60/1		115/60/1		115/60/1		115/60/1		115/60/1	
MOTOR TYPE	Permanent Split Cap.		Permanent Split Cap.		Permanent Split Cap.		Permanent Split Cap.		Permanent Split Cap.	
CURRENT AT RATED LOAD (AMPS)	3.1		3.2		4.5		3.6		3.6	
POWER AT RATED LOAD (WATTS)	240		245		285		325		325	
STARTING CURRENT (LOCKED ROTOR, AMPS)	9.2		9.2		9.2		9.2		9.2	
CAPACITOR VALUE	8 mfd		8 mfd		8 mfd		8 mfd		8 mfd	
MIN. FULL LOAD SPEED (RPM)	1750		1720		1660		1650		1650	
THERMAL PROTECTOR	Yes		Yes		Yes		Yes		Yes	
NET WEIGHT	11.75 lbs.	5.3 kg	11.75 lbs.	5.3 kg	11.75 lbs.	5.3 kg	11.75 lbs.	5.3 kg	11.75 lbs.	5.3 kg

The information presented in this material is based on technical data and test results of nominal units. It is believed to be accurate and reliable and is offered as an aid to help in the selection of Thomas products. It is the responsibility of the user to determine the suitability of the product for his intended use and the user assumes all risk and liability whatsoever in connection therewith. Thomas Industries does not warrant, guarantee or assume any obligation or liability in connection with this information.

NOTE: Models pictured are representative of the series and do not represent a specific model number. Consult factory for detailed physical description.

NOTE: 688 models include fan guard and cord standard. 668 models do not have fan guard or cord standard, these are options.

668 Series Performance Data

MODEL NUMBERS	668CGHI22 688CGHI22		668CGHI32 688CGHI32		668CGHI40 688CGHI40		Standard 668CGHI44 688CGHI44		668CS44 688CS44			
	Pressure/Vacuum		Pressure/Vacuum		Pressure/Vacuum		Pressure/Vacuum		Pressure/Vacuum			
HEAD CONFIGURATION												
STROKE	.220 Inches		.320 Inches		.400 Inches		.440 Inches		.440 Inches			
PRESSURE	Flow @ 220v/50-230v/60		Flow @ 220v/50-230v/60		Flow @ 220v/50-230v/60		Flow @ 220v/50-230v/60		Flow @ 100v/50-60 Hz			
CFM @ PSI	LPM @ bar											
PSI	bar	CFM	LPM	CFM	LPM	CFM	LPM	CFM	LPM	CFM	LPM	
0	0	.68 / .80	19.3 / 22.7	1.00 / 1.23	28.3 / 34.8	1.19 / 1.40	33.7 / 39.6	1.27 / 1.50	35.9 / 42.4	1.30 / 1.55	36.8 / 43.9	
10	.5	.62 / .74	18.0 / 21.4	.92 / 1.13	26.7 / 32.8	1.13 / 1.33	32.5 / 38.2	1.22 / 1.43	34.9 / 41.0	1.25 / 1.50	35.7 / 42.8	
20	1.0	.54 / .62	16.5 / 19.4	.84 / .97	25.0 / 30.0	1.07 / 1.24	31.2 / 36.5	1.14 / 1.33	33.5 / 39.2	1.16 / 1.41	34.1 / 41.2	
30	1.5	.45 / .56	14.8 / 17.3	.75 / .90	23.3 / 27.1	.98 / 1.15	29.9 / 34.7	1.09 / 1.22	32.0 / 37.1	1.08 / 1.28	32.4 / 39.2	
40	2.0	.39 / .48	13.0 / 16.0	.67 / .83	21.5 / 25.7	.89 / 1.06	28.0 / 32.8	.94 / 1.17	31.0 / 34.8	.99 / 1.18	30.8 / 36.6	
50	3.0	.34 / .41	10.5 / 12.9	.60 / .72	18.3 / 22.4	.83 / .96	24.6 / 29.0	.86 / 1.04	25.8 / 31.8	.88 / 1.10	27.0 / 32.6	
60	5.0	.27 / .34	6.4 / 7.5	.54 / .66	13.2 / 16.3	.72 / .89	18.0 / 22.2	.82 / 1.00	21.3 / 26.5	.79 / 1.03	20.2 / 25.9	
70	7.0	.24 / .28	2.4 / 2.9	.48 / .59	8.8 / 11.6	.65 / .80	13.3 / 16.4	.77 / .96	16.1 / 20.6	.73 / .94	14.7 / 19.2	
80		.19 / .22		.42 / .54		.59 / .74		.70 / .87		.66 / .84		
90		.12 / .17		.37 / .49		.54 / .65		.64 / .80		.59 / .76		
100		.09 / .11		.32 / .42		.48 / .59		.58 / .74		.53 / .69		
MAX. CONTINUOUS PRESSURE	100 PSI	6.9 bar	100 PSI	6.9 bar	100 PSI	6.9 bar	100 PSI	6.9 bar	100 PSI	6.9 bar	100 PSI	6.9 bar
MAX. INTERMITTENT PRESSURE	100 PSI	6.9 bar	100 PSI	6.9 bar	100 PSI	6.9 bar	100 PSI	6.9 bar	100 PSI	6.9 bar	100 PSI	6.9 bar
VACUUM	Flow @ 220v/50-230v/60		Flow @ 220v/50-230v/60		Flow @ 220v/50-230v/60		Flow @ 220v/50-230v/60		Flow @ 100v-50/60 Hz			
CFM @ IN. hg	LPM @ mbar (gauge)											
IN. hg	mbar (gauge)	CFM	LPM	CFM	LPM	CFM	LPM	CFM	LPM	CFM	LPM	
0	0	.68 / .80	19.3 / 22.7	1.00 / 1.23	28.3 / 34.8	1.19 / 1.40	33.7 / 39.6	1.27 / 1.50	36.0 / 42.5	1.30 / 1.55	36.8 / 43.9	
5	-100	.62 / .74	18.3 / 21.6	.81 / .96	25.1 / 30.3	1.00 / 1.17	30.5 / 35.8	1.22 / 1.43	35.1 / 41.3	1.12 / 1.33	33.8 / 40.2	
10	-200	.38 / .50	16.3 / 19.7	.61 / .73	21.9 / 26.0	.76 / .91	27.1 / 31.8	.81 / .97	32.4 / 38.1	.85 / 1.04	30.3 / 36.2	
15	-400	.26 / .33	9.5 / 12.4	.42 / .48	15.3 / 18.1	.51 / .61	19.0 / 22.7	.55 / .67	20.3 / 24.4	.61 / .73	21.6 / 26.3	
20	-600	.13 / .16	5.4 / 6.7	.23 / .27	9.0 / 10.4	.30 / .33	11.2 / 13.0	.32 / .38	12.0 / 14.5	.35 / .39	13.3 / 15.4	
25	-800	.02 / .03	1.4 / 1.9	.07 / .07	3.2 / 3.5	.10 / .11	4.4 / 4.8	.09 / .11	4.3 / 5.2		4.6 / 4.1	
MAX. VACUUM	26.0" hg	-880 mbar	27.0" hg	-914 mbar	27.5" hg	-931 mbar	27.5" hg	-931 mbar	27.5" hg	-931 mbar	27.5" hg	-931 mbar
MAX. AMBIENT AIR TEMP.	104° F	40°C	104° F	40°C	104° F	40°C	104° F	40°C	104° F	40°C	104° F	40°C
MIN. AMBIENT START TEMP.	50° F	10°C	50° F	10°C	50° F	10°C	50° F	10°C	50° F	10°C	50° F	10°C
MAX. RESTART PRESSURE	0 PSI	0 bar	0 PSI	0 bar	0 PSI	0 bar	0 PSI	0 bar	0 PSI	0 bar	0 PSI	0 bar
MAX. RESTART VACUUM	0"hg	0 mbar	0"hg	0 mbar	0"hg	0 mbar	0"hg	0 mbar	0"hg	0 mbar	0"hg	0 mbar
MOTOR VOLTAGE/FREQUENCY	220-240/50/1 - 230/60/1		220-240/50/1 - 230/60/1		220-240/50/1 - 230/60/1		220-240/50/1 - 230/60/1		220-240/50/1 - 230/60/1		100-50/60/1	
MOTOR TYPE	Permanent Split Cap.		Permanent Split Cap.		Permanent Split Cap.		Permanent Split Cap.		Permanent Split Cap.		Permanent Split Cap.	
CURRENT AT RATED LOAD (AMPS)	.8 / .9		1.5 / 1.3		1.5 / 1.3		1.5 / 1.3		1.5 / 1.3		4.7 / 3.2	
POWER AT RATED LOAD (WATTS)	140 / 160		200 / 200		240 / 240		270 / 270		300 / 255		300 / 255	
STARTING CURRENT (LOCKED ROTOR, AMPS)	3.9 / 3.8		3.9 / 3.8		3.9 / 3.8		3.9 / 3.8		3.9 / 3.8		12.0 / 11.0	
CAPACITOR VALUE	8 mfd		8 mfd		8 mfd		8 mfd		8 mfd		8 mfd	
MIN. FULL LOAD SPEED (RPM)	1460 / 1760		1420 / 1700		1400 / 1700		1400 / 1700		1400 / 1700		1380 / 1720	
THERMAL PROTECTOR	Yes		Yes		Yes		Yes		Yes		Yes	
NET WEIGHT	13.0 lbs.	5.9 kg	13.0 lbs.	5.9 kg	13.75 lbs.	6.2 kg	14.5 lbs.	6.6 kg	14.5 lbs.	6.6 kg	14.5 lbs.	6.6 kg