

AP SERIES

115 V 60 Hz

AP Series Models

AP-40 (150131)

AP-60 (150132)

AP-80 (150133)

Supplied As Standard:

- 7 in. outlet hose
- Hose clamps
- #10-32 x 1/4 screw
- Operation manual



AP Series

FEATURES (BENEFITS)

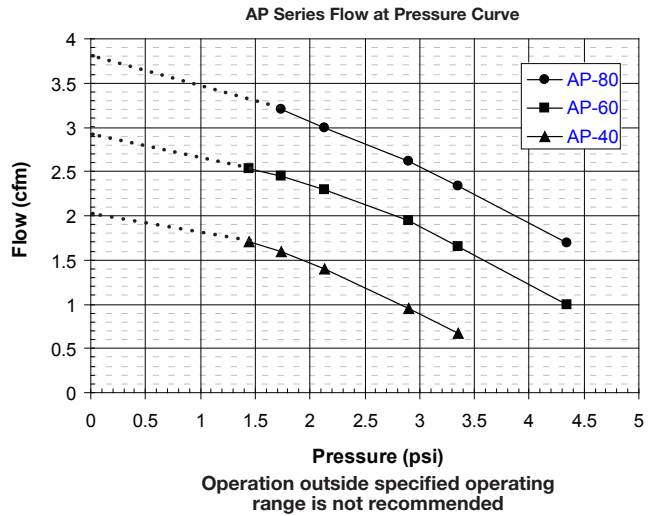
- Low noise/vibration (Quiet operation)
- Low pulsations (Stable system performance)
- Low power consumption (Low cost of operation)
- Oil-less operation (Clean air stream, less maintenance)
- Integral intake filter (Quiet/clean operation)
- Few moving/wearing parts (Optimum life/less service requirements)
- Protection class IP54 (Fail-safe operation)
- UL listed (Fail-safe operation)

Thomas Division is an ISO 9001 registered company

THOMAS
A Gardner Denver Product



Max. Flow 3.20 cfm
Max. Pressure 4.35 psi

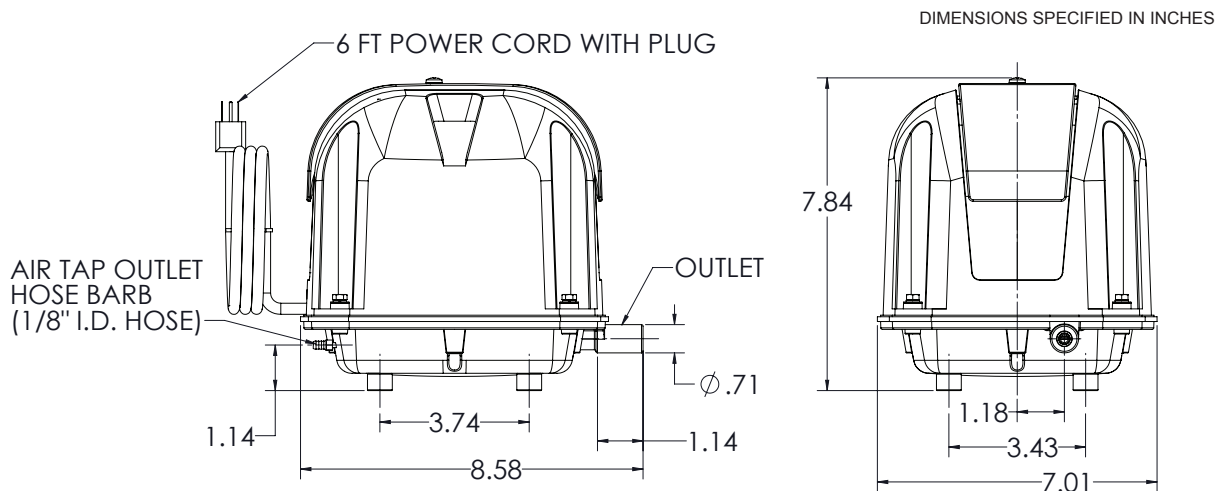


Model Number	AP-40	AP-60	AP-80
Manufacturing Code	150131	150132	150133
Performance Data			
Flow at rated pressure	1.60 cfm	2.30 cfm	3.00 cfm
Rated pressure	1.74 psi	2.13 psi	2.13 psi
Operating range	1.45 to 3.35 psi	1.45 to 4.35 psi	1.74 to 4.35 psi

Electrical Data			
Motor type	Linear drive	Linear drive	Linear drive
Nominal voltage	115 V 60 Hz	115 V 60 Hz	115 V 60 Hz
Consumption at rated pressure	0.67A / 34W	0.54A / 43W	0.78A / 64W

General Data			
Operating conditions	14° - 104°F	14° - 104°F	14° - 104°F
Safety certification	UL listed	UL listed	UL listed
Net weight	10.3 lb	10.9 lb	10.9 lb
Sound level at rated pressure	30 dB(A)	34 dB(A)	35 dB(A)

Product Dimensions



AP SERIES

©2013 Gardner Denver Thomas, Inc.
All rights reserved.
Form No. 850-4018 06/15

The information presented in this material is based on technical data and test results of nominal units. It is believed to be accurate and reliable and is offered as an aid to help in the selection of Thomas Division products. It is the responsibility of the user to determine the suitability of the product for its intended use and the user assumes all risk and liability whatsoever in connection therewith. Thomas Division does not warrant, guarantee or assume any obligation or liability in connection with this information. **NOTE:** Models pictured are representative of the series and do not represent a specific model number. Consult factory for detailed physical description.