



# Intrinsically Safe Valve

5 Port Solenoid Valve



- **UL Listed Intrinsically Safe Valve**
- **Designed for Use in Intrinsically Safe Environment**
- **UL913 & CSA157 Compliant**



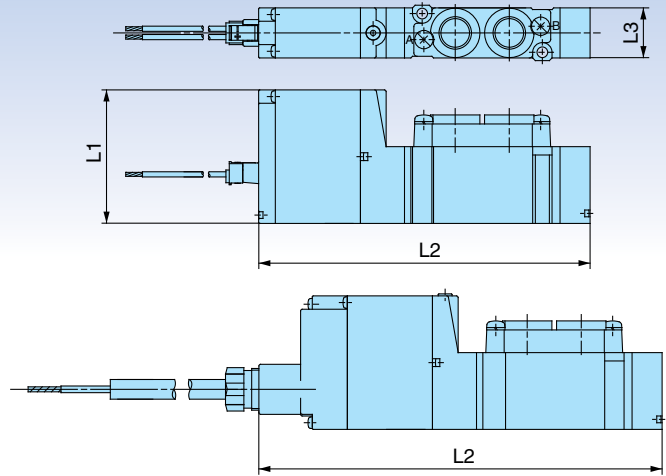
**53-SY5000/7000/9000 Series**

NC300C

# Compact, High Flow

## Dimensions

Dimension		(mm)		
Model	L1	L2	L3	
53-SY5120-L	40	104	15	
53-SY5120-LL		120.8		
53-SY7120-L		118.2	18	
53-SY7120-LL		135		
53-SY9120-L	42	148.3	23	
53-SY9120-LL		165.1		
53-SY9120-TT				



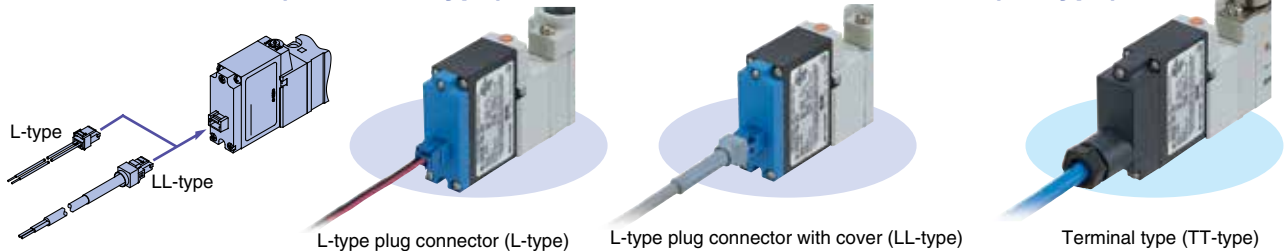
## Flow-rate Characteristics

Series		Flow-rate characteristics					
		1→4/2 (P→A/B)			4/2→5/3 (A/B→EA/EB)		
		C [dm <sup>3</sup> /(s·bar)]	b	Cv	C [dm <sup>3</sup> /(s·bar)]	b	Cv
Body ported	53-SY5□20	1.9	0.35	0.49	2.4	0.39	0.61
	53-SY7□20	4.1	0.23	0.93	3.3	0.33	0.81
	53-SY9□20	7.0	0.33	1.7	7.6	0.35	2.0
Base mounted	53-SY5□40	2.4	0.41	0.64	2.8	0.29	0.66
	53-SY7□40	4.1	0.41	1.1	4.1	0.29	1.0
	53-SY9□40	7.9	0.34	2.0	9.6	0.43	2.6

## 3 Types of Connectors

- Easily maintained by adapting connector for the lead wire (L- and LL-type)

- IP65 compliant (TT-type)



# Intrinsically Safe Valve 5 Port Solenoid Valve Series 53-SY5000/7000/9000



## Body Ported Single Unit

Electrical Entry TT  
Hazardous Location  
Class I, II, III  
Division 1  
Groups A, B, C, D, E, F, G

Electrical Entry L and LL  
Hazardous Location  
Class I  
Division 1  
Groups A, B, C, D

**Warning**  
Do not install in Zone 0 (as defined in IEC 60079-10-1: 2008) or Zone 20 (as defined in IEC 60079-10-2: 2009)(Refer to page 40 for details)

### How to Order

53-SY 5 1 20-LL 3 - 01 - -

UL/CSA compliant

Series

5	53-SY5000
7	53-SY7000
9	53-SY9000

Type of actuation

1	2-position single (A) 4 2 (B) (EA) 5 1 3 (EB) (P)
2	2-position double (A) 4 2 (B) (EA) 5 1 3 (EB) (P)
3 Note 1)	3-position closed center (A) 4 2 (B) (EA) 5 1 3 (EB) (P)
4 Note 1)	3-position exhaust center (A) 4 2 (B) (EA) 5 1 3 (EB) (P)
5 Note 1)	3-position pressure center (A) 4 2 (B) (EA) 5 1 3 (EB) (P)
A Note 2)	4-position dual 3 port valves (N.C./N.C.) 4(A) 2(B) 5(EA) 1(P) 3(EB)
B Note 2)	4-position dual 3 port valves (N.O./N.O.) 4(A) 2(B) 5(EA) 1(P) 3(EB)
C Note 2)	4-position dual 3 port valves (N.C./N.O.) 4(A) 2(B) 5(EA) 1(P) 3(EB)

Note 1) 3-position type is not available for the 53-SY9000 series.

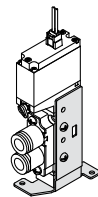
Note 2) 4-position dual 3 port valves are available for 53-SY5000 only.

### Warning

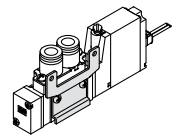
The solenoid must be connected to a safety barrier located in a non-hazardous area. The safety barrier must meet the specifications listed in the Installation Instructions section.

Bracket

Nil: Without bracket  
F1: With foot bracket  
(2-position single only)



F2: With side bracket



\* Bracket is not available for the 53-SY9000.

Thread type

Nil	Rc
F	G
N	NPT
T	NPTF

A, B port size  
Thread piping

Symbol	Port size	Applicable series
01	1/8	53-SY5000
02	1/4	53-SY7000
02	1/4	53-SY9000
03	3/8	

One-touch fitting (Metric size) (Note)

Symbol	Port size	Applicable series
C4	ø4 One-touch fitting	53-SY5000
C6	ø6 One-touch fitting	
C8	ø8 One-touch fitting	
C8	ø8 One-touch fitting	53-SY7000
C10	ø10 One-touch fitting	
C8	ø8 One-touch fitting	53-SY9000
C10	ø10 One-touch fitting	
C12	ø12 One-touch fitting	

One-touch fitting (Inch size) (Note)

Symbol	Port size	Applicable series
N3	ø5/32" One-touch fitting	53-SY5000
N7	ø1/4" One-touch fitting	
N9	ø5/16" One-touch fitting	53-SY7000
N9	ø5/16" One-touch fitting	
N11	ø3/8" One-touch fitting	53-SY9000
N9	ø5/16" One-touch fitting	
N11	ø3/8" One-touch fitting	

Note) **Warning**

If a resin tubing is used, take precautions against static electricity.

Manual override

Nil: Non-locking push type	D: Push-turn locking slotted type	E: Push-turn locking lever type
----------------------------	-----------------------------------	---------------------------------

Electrical entry

Symbol	Electrical entry
L	L-type plug connector 
LL	L-type plug connector with cover 
TT Note)	Terminal type 

Lead wire length

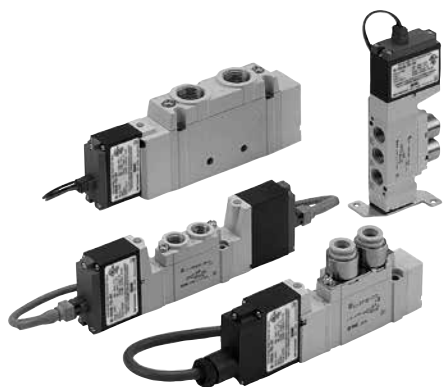
Symbol	Lead wire length	Note
3	300 mm	—
6	600 mm	Maximum length for L-type
10	1000 mm	—
15	1500 mm	—
20	2000 mm	—
30	3000 mm	—
100	10000 mm	Semi-standard

Note) The lead wire of TT-type is connected to the terminal block. Use only supplied cable and nut.



# Series 53-SY5000/7000/9000

## Specifications



Series		53-SY5000	53-SY7000	53-SY9000
<b>Fluid</b>		Air		
<b>Internal pilot operating pressure range</b>	2-position single 4-position dual 3 port valve	0.15 to 0.7 MPa (20 to 100 psi)		
	2-position double	0.1 to 0.7 MPa (15 to 100 psi)		
	3-position	0.2 to 0.7 MPa (30 to 100 psi)		
<b>Ambient and fluid temperature</b>		-10 to 50°C (15 to 120°F) (No freezing)		
<b>Max. operating frequency (Hz)</b>	2-position single, double 4-position dual 3 port valve	1		
	3-position	1		
<b>Manual override (Manual operation)</b>		Non-locking push type, Push-turn locking slotted type, Push-turn locking lever type		
<b>Pilot exhaust method</b>		Main/Pilot valve common exhaust		
<b>Lubrication</b>		Not required		
<b>Mounting orientation</b>		Unrestricted		
<b>Impact/Vibration resistance (m/s<sup>2</sup>)</b> <small>Note)</small>		150/30		
<b>Enclosure</b>		IP30 (L-type), IP40 (LL-type), IP65 (TT-type)		

\* Based on IEC 60529

Note) Impact resistance: No malfunction occurred when tested in the axial direction and at the right angles to the main valve and armature in both energized and de-energized states.

Vibration resistance: No malfunction occurred in a one-sweep test between 45 and 2000 Hz. Testing was performed at both energized and de-energized states in the axial direction and at the right angles to the main valve and armature.

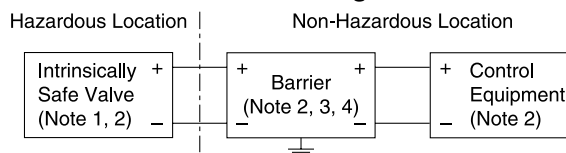
### ⚠ Warning

To insure intrinsic safety, the valve is to be installed in an impact and vibration free environment.

### ⚠ Warning

## Installation Instructions

### Installation Diagram



- This product must be connected in accordance with the +/- polarity indication.
- This product must be connected to a certified intrinsically safe circuit (e.g. Zener barrier) for apparatus group IIC with the following maximum values:  
 $U_i = 28\text{ V}$     $I_i = 225\text{ mA}$  (resistively limited)  
 $P_i = 1\text{ W}$     $C_i = 0\text{ nF}$     $L_i = 0\text{ mH}$   
 Confirm the solenoid input voltage at the lead wires is  $12\text{ VDC} \pm 10\%$ .  
 The resistance of the solenoid valve is  $R_{20} + 278 \pm 3\%$  Ohm at  $20^\circ\text{C}$ .
- Do not bend or pull cables repeatedly.

### ⚠ Warning

Note)

1. Control equipment connected to the barrier must not use or generate more than 250 V.
2. Installation should be in accordance with Canadian Electrical Code or ANSI/ISA RP12.6 "Installation of Intrinsically Safe Systems for Hazardous (Classified) Locations" and the National Electrical Code or ANSI/NFPA 70.
3. Barrier manufacturer's installation drawing must be followed when installing this equipment.
4. Multiple barriers are not to be used in parallel unless specifically permitted by the barrier certification.

To insure that intrinsically safe criteria are met, use the below parameters to determine the appropriate barrier.

Note)  $C_{\text{cable}}$  and  $L_{\text{cable}}$  represents the capacitance and inductance of wire added by the consumer from the intrinsically safe equipment to the barrier.  $C_{\text{cable}}$  and  $L_{\text{cable}}$  values must be used in the system calculations.

I.S. Equipment	Barrier
$U_i$	$\geq U_o$ (or $V_{oc}$ )
$I_i$	$\geq I_o$ (or $I_{sc}$ )
$P_i$	$\geq P_o$
$C_i + C_{\text{cable}}$	$\leq C_o$ (or $C_a$ )
$L_i + L_{\text{cable}}$	$\leq L_o$ (or $L_a$ )

If the cable capacitance and inductance are unknown, use the following values:  
 $C_{\text{cable}} = 60\text{ pF/ft.}$ ,  $L_{\text{cable}} = 0.2\text{ }\mu\text{H/ft.}$

If the barrier  $P_o$  is unknown, it may be calculated using the formula  $P_o = (U_o \times I_o)/4$  or  $(V_{oc} \times I_{sc})/4$ .

## Solenoid Specifications

<b>Electrical entry</b>	Terminal type (TT) L-type plug connector (L) L-type plug connector with cover (LL)
<b>Coil rated voltage</b>	12 VDC
<b>Power consumption</b>	0.52 W (at rated voltage)
<b>Allowable voltage fluctuation</b>	-10% to +10% of rate voltage
<b>Temperature class</b>	T4 Maximum surface temperature 135°C (275°F)

## Hazardous Locations Specifications

<b>Electrical entry</b>	Terminal type (TT)	L-type plug connector (L) LL-type plug connector (LL)
<b>Hazardous Locations</b>	Class I, II, III Division 1 Groups A, B, C, D, E, F, G	Class I Division 1 Groups A, B, C, D

Note) ⚠ Warning Do not install in Zone 0 (as defined in IEC 60079-10-1: 2008) or Zone 20 (as defined in IEC 60079-10-2: 2009) (Refer to page 40 for details)

## Response Time

Note) Based on dynamic performance test, JIS B 8375-1981.

Type of actuation	Response time (ms) (at 0.5 MPa) <small>Note)</small>		
	53-SY5000	53-SY7000	53-SY9000
2-position single	26 or less	38 or less	50 or less
2-position double	22 or less	30 or less	50 or less
3-position	38 or less	56 or less	—
4-position dual 3 port valve	24 or less	—	—

Note) Response time may be longer depending on the specification of barrier.

**Flow-rate Characteristics**

**Series 53-SY5000**

Valve model	Type of actuation		Port size		Flow-rate characteristics <small>Note)</small>						
			1, 5, 3 (P, EA, EB)	4, 2 (A, B)	1→4/2 (P→A/B)			4/2→5/3 (A/B→EA/EB)			
			C [dm <sup>3</sup> /s·bar]	b	Cv	C [dm <sup>3</sup> /s·bar]	b	Cv			
53-SY5 □20-□ -01	2-position	Single	1/8	C4 ø4 One-touch fitting	1.9	0.35	0.49	2.4	0.39	0.61	
		Double			1.7	0.43	0.45	1.8	0.35	0.46	
	3-position	Closed center			1.5	0.44	0.41	2.5	0.32	0.59	0.40
		Exhaust center			2.2	0.46	0.61	1.8	0.38	0.46	
		Pressure center			1.5	0.33	0.46	1.7	0.34	0.51	
	4-position dual 3 port	N.C./N.C.			1.5	0.41	0.48	1.5	0.28	0.42	
		N.O./N.O.			0.75	0.43	0.20	0.85	0.64	0.30	
	53-SY5 □20-□ -C4	2-position			Single	1/8	C6 ø6 One-touch fitting	0.74	0.40	0.19	0.84
Double			0.75	0.36	0.19			0.84	0.64	0.30	
3-position		Closed center	0.78	0.44	0.21			0.84	0.57	0.27	
		Exhaust center	0.7	0.52	0.24			0.7	0.54	0.27	
		Pressure center	0.7	0.51	0.26			0.7	0.51	0.23	
4-position dual 3 port		N.C./N.C.	1.5	0.33	0.33			2.0	0.37	0.52	
		N.O./N.O.	1.3	0.31	0.33			1.6	0.32	0.39	
53-SY5 □20-□ -C6		2-position	Single	1/8	C8 ø8 One-touch fitting			1.3	0.33	0.33	1.8
	Double		1.7			0.31	0.42	1.7	0.33	0.44	
	3-position	Closed center	1.3			0.37	0.38	1.5	0.30	0.43	
		Exhaust center	1.3			0.37	0.40	1.3	0.24	0.36	
		Pressure center	1.9			0.21	0.45	2.3	0.29	0.57	
	4-position dual 3 port	N.C./N.C.	1.6			0.29	0.39	1.7	0.38	0.46	
		N.O./N.O.	1.4			0.38	0.39	2.0	0.37	0.52	
	53-SY5 □20-□ -C8	2-position	Single			1/8	C8 ø8 One-touch fitting	2.2	0.32	0.56	1.8
Double			1.5	0.28	0.44			1.7	0.33	0.50	
3-position		Closed center	1.4	0.39	0.46			1.4	0.28	0.40	
		Exhaust center	1.9	0.21	0.45			2.3	0.29	0.57	
		Pressure center	1.6	0.29	0.39			1.7	0.38	0.46	
4-position dual 3 port		N.C./N.C.	1.4	0.38	0.39			2.0	0.37	0.52	
		N.O./N.O.	2.2	0.32	0.56			1.8	0.41	0.50	

Note) [ ]: Indicates normal position

**Series 53-SY7000**

Valve model	Type of actuation		Port size		Flow-rate characteristics <small>Note)</small>					
			1, 5, 3 (P, EA, EB)	4, 2 (A, B)	1→4/2 (P→A/B)			4/2→5/3 (A/B→EA/EB)		
			C [dm <sup>3</sup> /s·bar]	b	Cv	C [dm <sup>3</sup> /s·bar]	b	Cv		
53-SY7 □20-□ -02	2-position	Single	1/4	C8 ø8 One-touch fitting	4.1	0.23	0.93	3.3	0.33	0.81
		Double			2.9	0.31	0.70	2.4	0.38	0.63
	3-position	Closed center			2.5	0.39	0.65	3.4	0.35	0.82
		Exhaust center			4.3	0.23	0.97	2.2	0.39	0.58
		Pressure center			3.2	0.26	0.77	3.2	0.37	0.82
	53-SY7 □20-□ -C8	2-position			Single	1/4	C8 ø8 One-touch fitting	2.6	0.24	0.63
Double			2.4	0.25	0.57			2.6	0.42	0.70
3-position		Exhaust center	3.3	0.28	0.78			2.2	0.34	0.60
		Pressure center	3.8	0.26	0.86			3.2	0.34	0.82
53-SY7 □20-□ -C10	2-position	Single	1/4	C10 ø10 One-touch fitting	2.8	0.27	0.67	2.4	0.21	0.59
		Double			2.5	0.25	0.59	2.7	0.38	0.70
	3-position	Closed center			3.8	0.25	0.89	2.3	0.38	0.61
		Exhaust center			3.2	0.26	0.77	3.2	0.37	0.82
		Pressure center			2.6	0.24	0.63	2.4	0.31	0.62

Note) [ ]: Indicates normal position

**Series 53-SY9000**

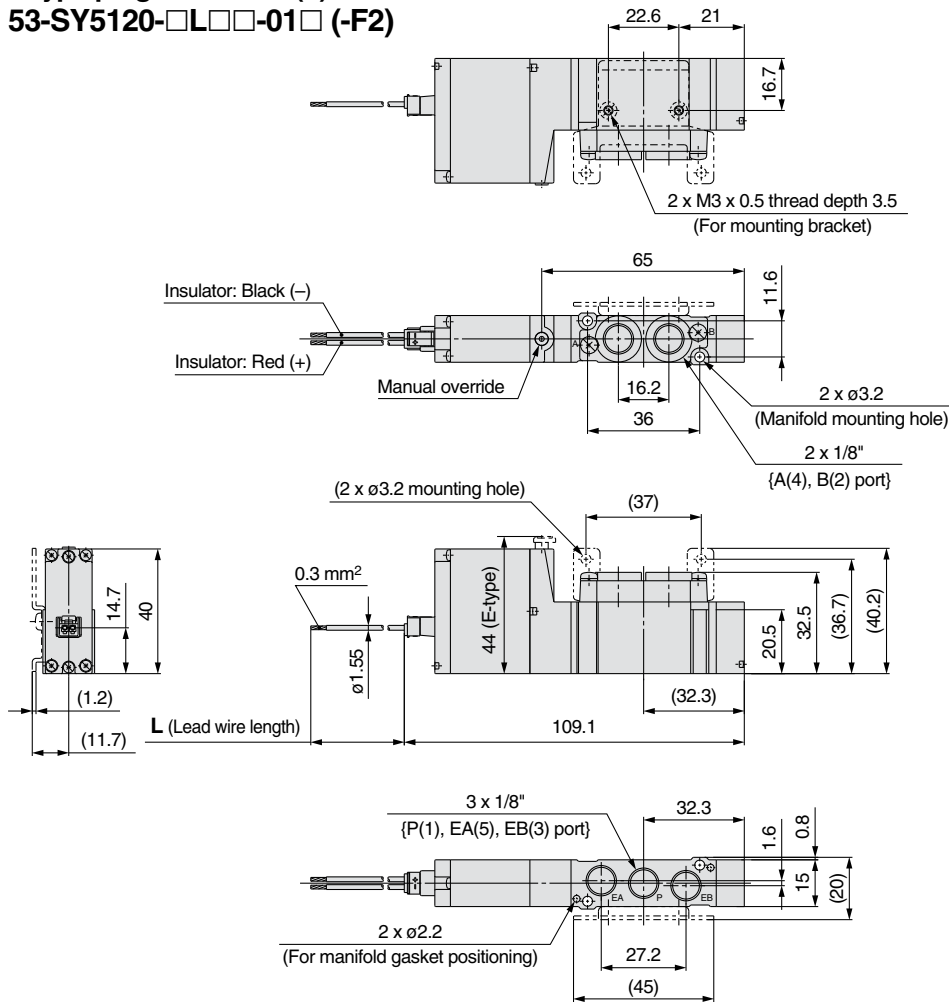
Valve model	Type of actuation		Port size		Flow-rate characteristics					
			1, 5, 3 (P, EA, EB)	4, 2 (A, B)	1→4/2 (P→A/B)			4/2→5/3 (A/B→EA/EB)		
			C [dm <sup>3</sup> /s·bar]	b	Cv	C [dm <sup>3</sup> /s·bar]	b	Cv		
53-SY9 □20-□ -02	2-position	Single	1/4	C8 ø8 One-touch fitting	7.0	0.33	1.7	7.6	0.35	2.0
		Double			8.0	0.29	1.9	8.0	0.33	2.0
53-SY9 □20-□ -03	2-position	Single	3/8	C8 ø8 One-touch fitting	4.3	0.28	0.96	7.1	0.32	1.7
		Double			6.1	0.28	1.4	7.9	0.33	1.9
53-SY9 □20-□ -C8	2-position	Single	1/4	C10 ø10 One-touch fitting	7.0	0.25	1.6	8.6	0.41	2.2
		Double			7.0	0.25	1.6	8.6	0.41	2.2

# Series 53-SY5000/7000/9000

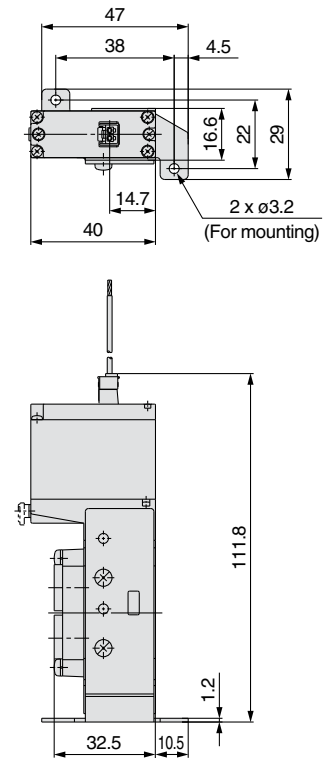
## Dimensions: 53-SY5000

(mm)

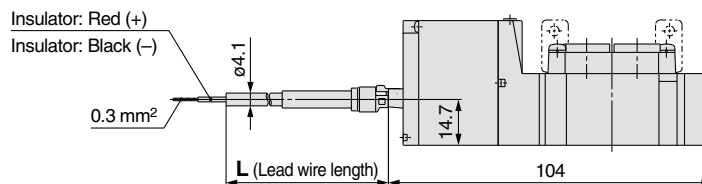
### 2-position single L-type plug connector (L) 53-SY5120-□L□□-01□ (-F2)



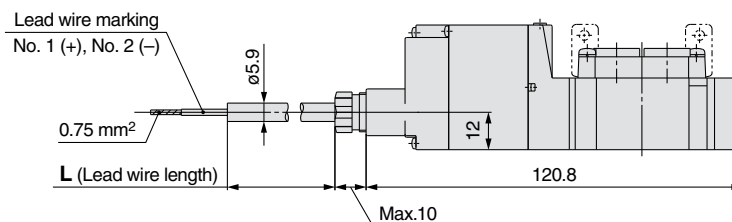
### With foot bracket 53-SY5120-□L□□-01□-F1



### L-type plug connector with cover (LL) 53-SY5120-□LL□□-01□ (-F2)



### Terminal type (TT) 53-SY5120-□TT□□-01□ (-F2)



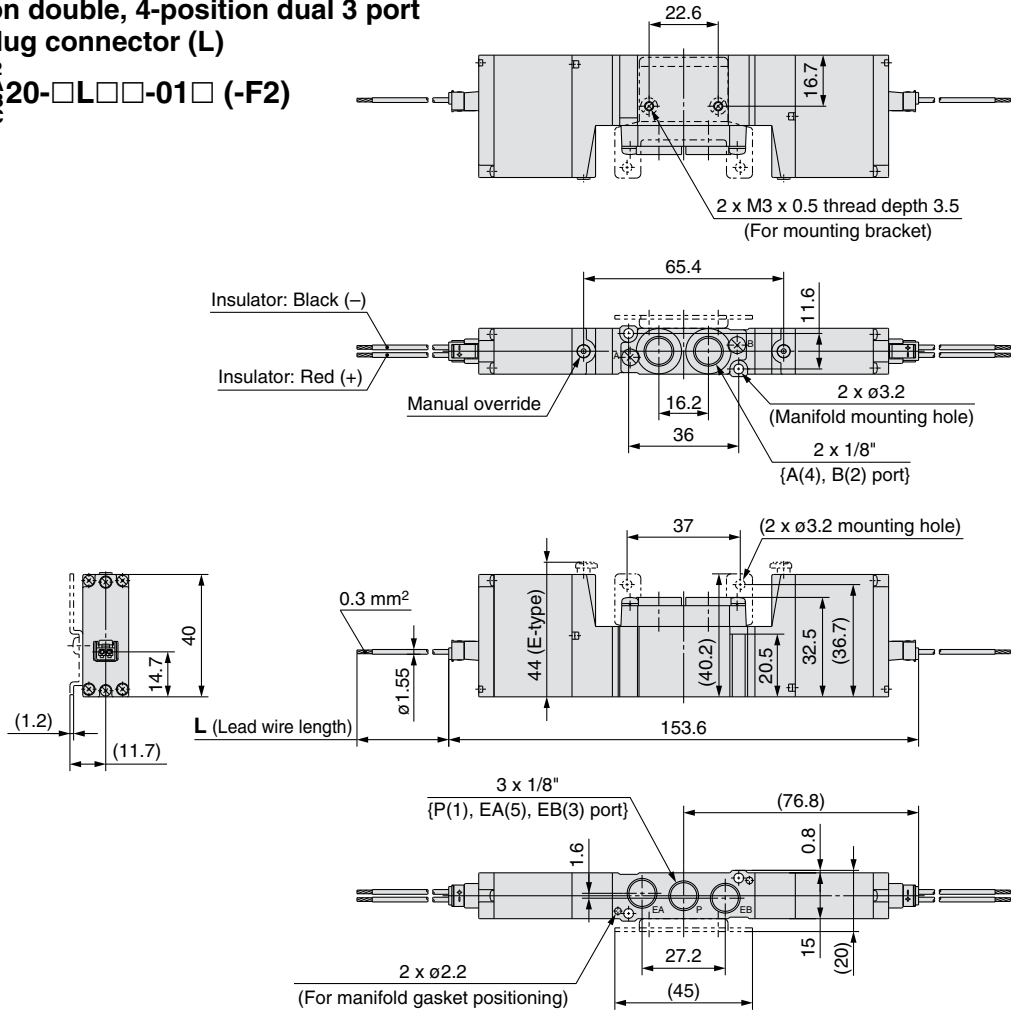
# Body Ported *Series 53-SY5000/7000/9000*

## Dimensions: 53-SY5000

(mm)

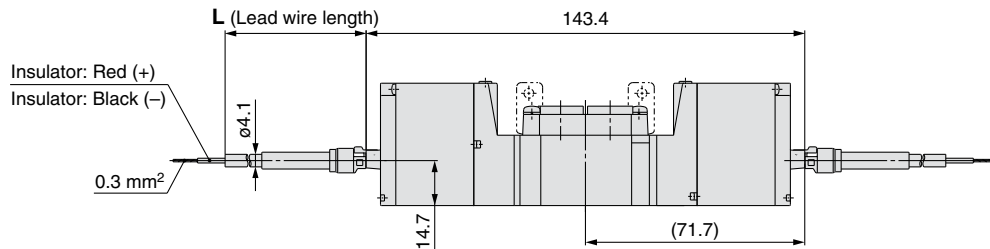
2-position double, 4-position dual 3 port  
L-type plug connector (L)

53-SY5<sup>2</sup><sub>A B C</sub>20-□L□□-01□ (-F2)



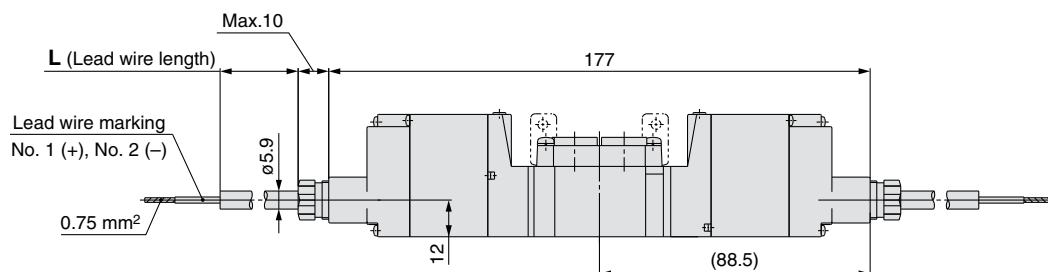
L-type plug connector with cover (LL)

53-SY5<sup>2</sup><sub>A B C</sub>20-□LL□□-01□ (-F2)



Terminal type (TT)

53-SY5<sup>2</sup><sub>A B C</sub>20-□TT□□-01□ (-F2)



# Series 53-SY5000/7000/9000

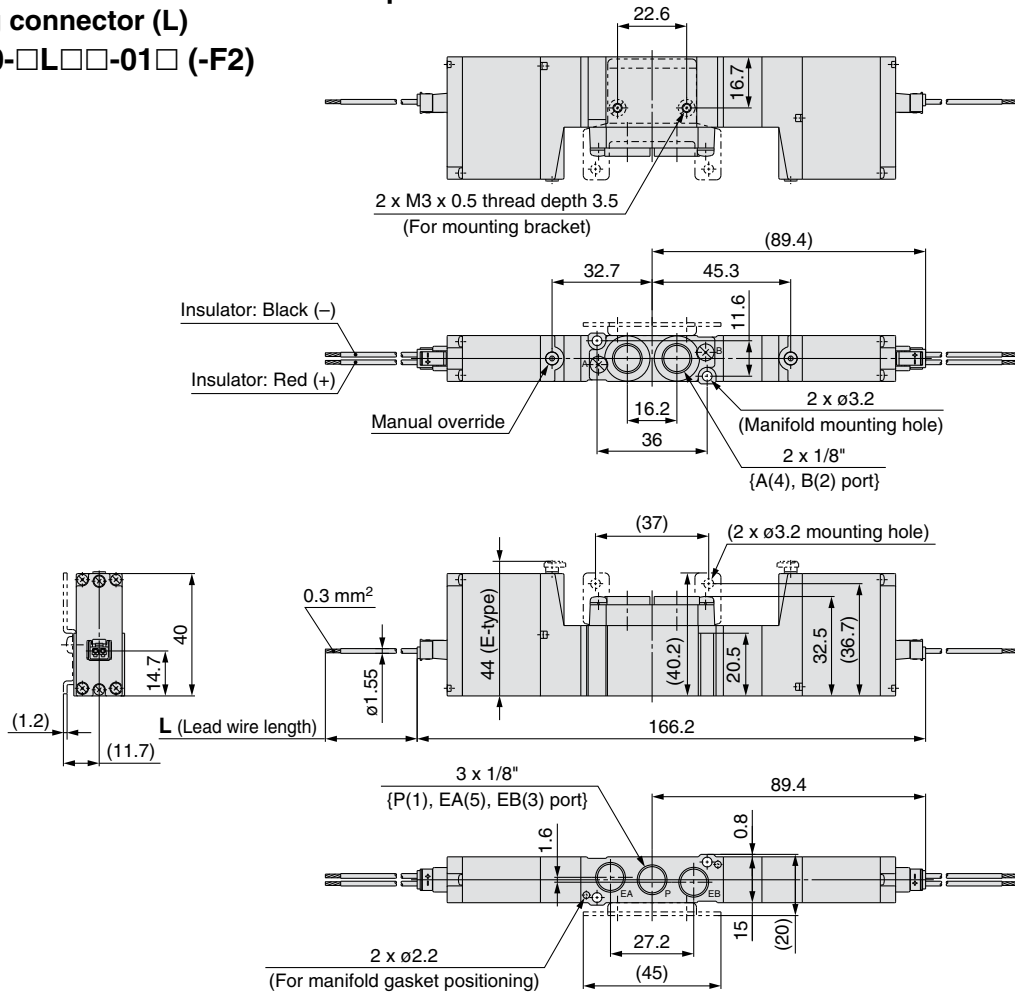
## Dimensions: 53-SY5000

(mm)

### 3-position closed center/exhaust center/pressure center

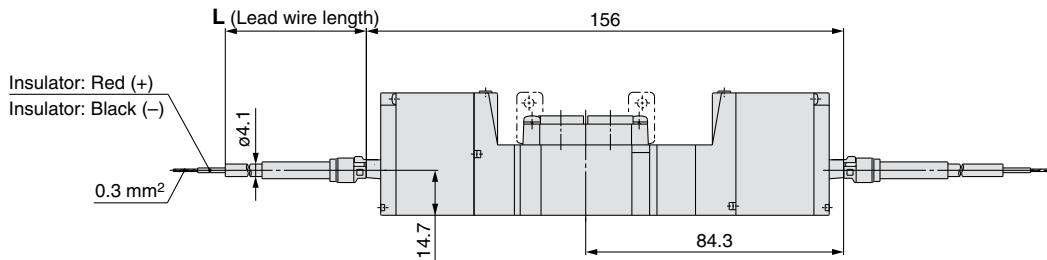
#### L-type plug connector (L)

53-SY5<sup>3</sup>/<sub>4</sub>20-□L□□-01□ (-F2)



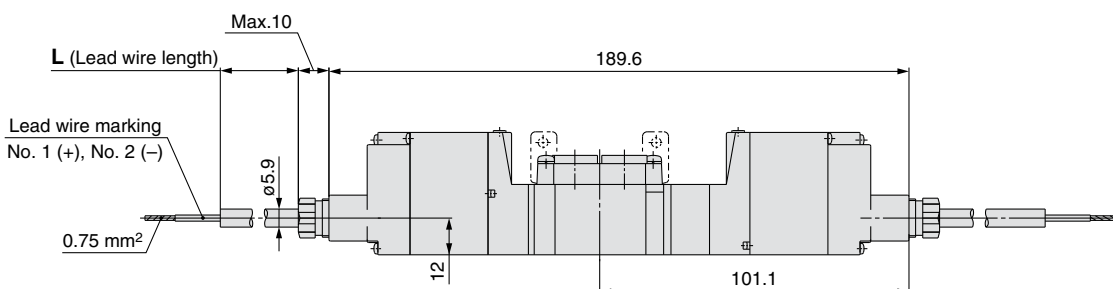
### L-type plug connector with cover (LL)

53-SY5<sup>3</sup>/<sub>4</sub>20-□LL□□-01□ (-F2)



### Terminal type (TT)

53-SY5<sup>3</sup>/<sub>4</sub>20-□TT□□-01□ (-F2)

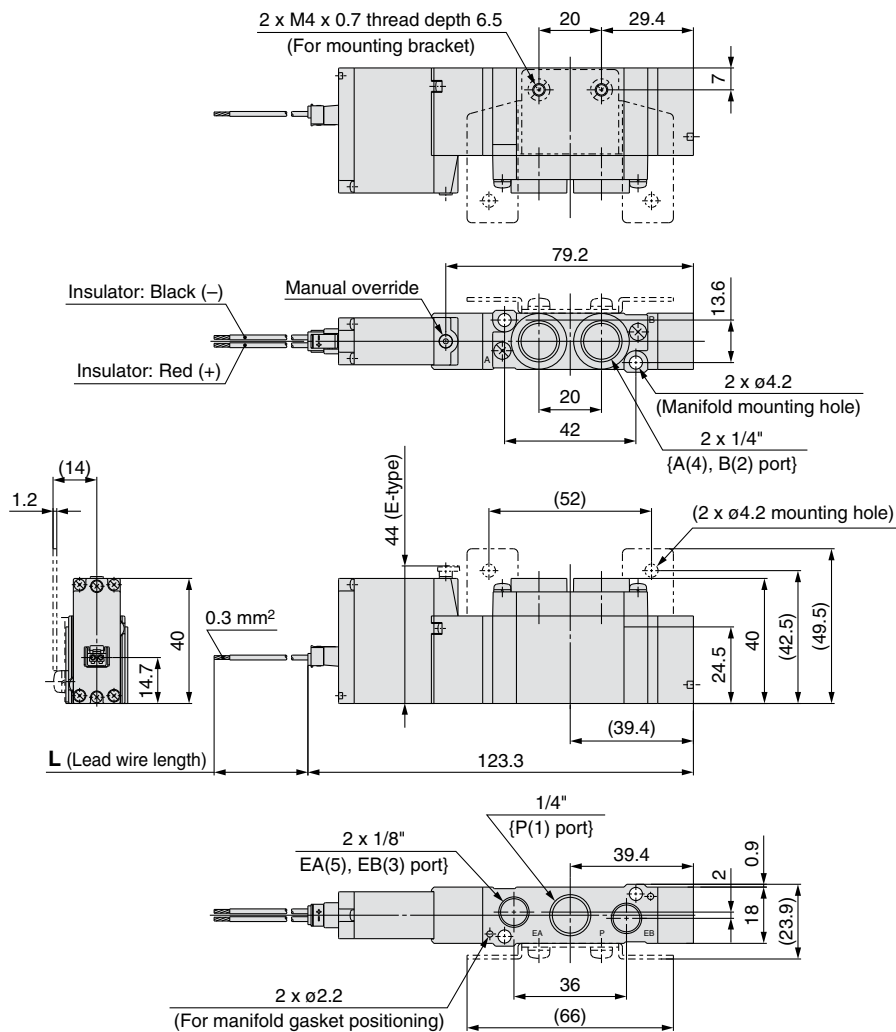




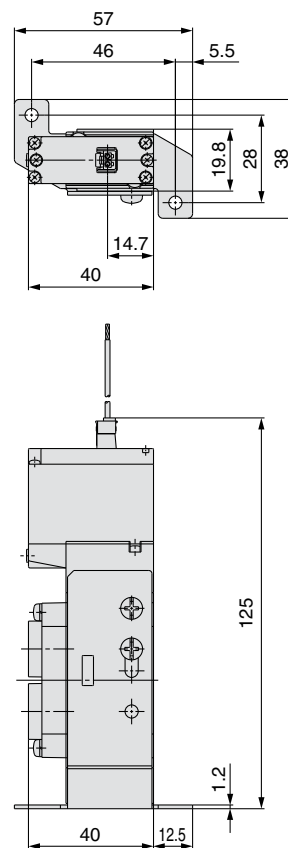
**Dimensions: 53-SY7000**

(mm)

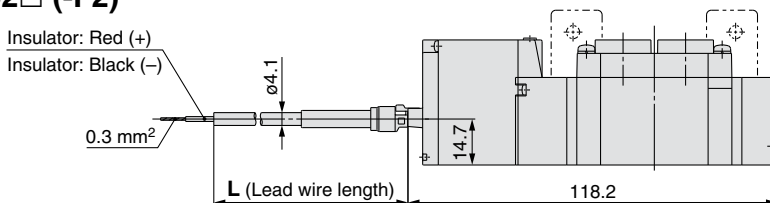
**2-position single  
L-type plug connector (L)  
53-SY7120-□L□□-02□ (-F2)**



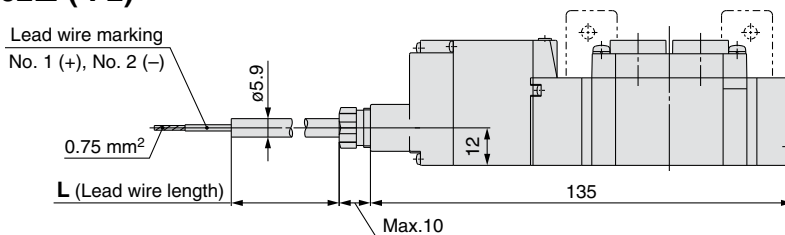
**With foot bracket  
53-SY7120-□L□□-02□-F1**



**L-type plug connector with cover (LL)  
53-SY7120-□LL□□-02□ (-F2)**



**Terminal type (TT)  
53-SY7120-□TT□□-02□ (-F2)**

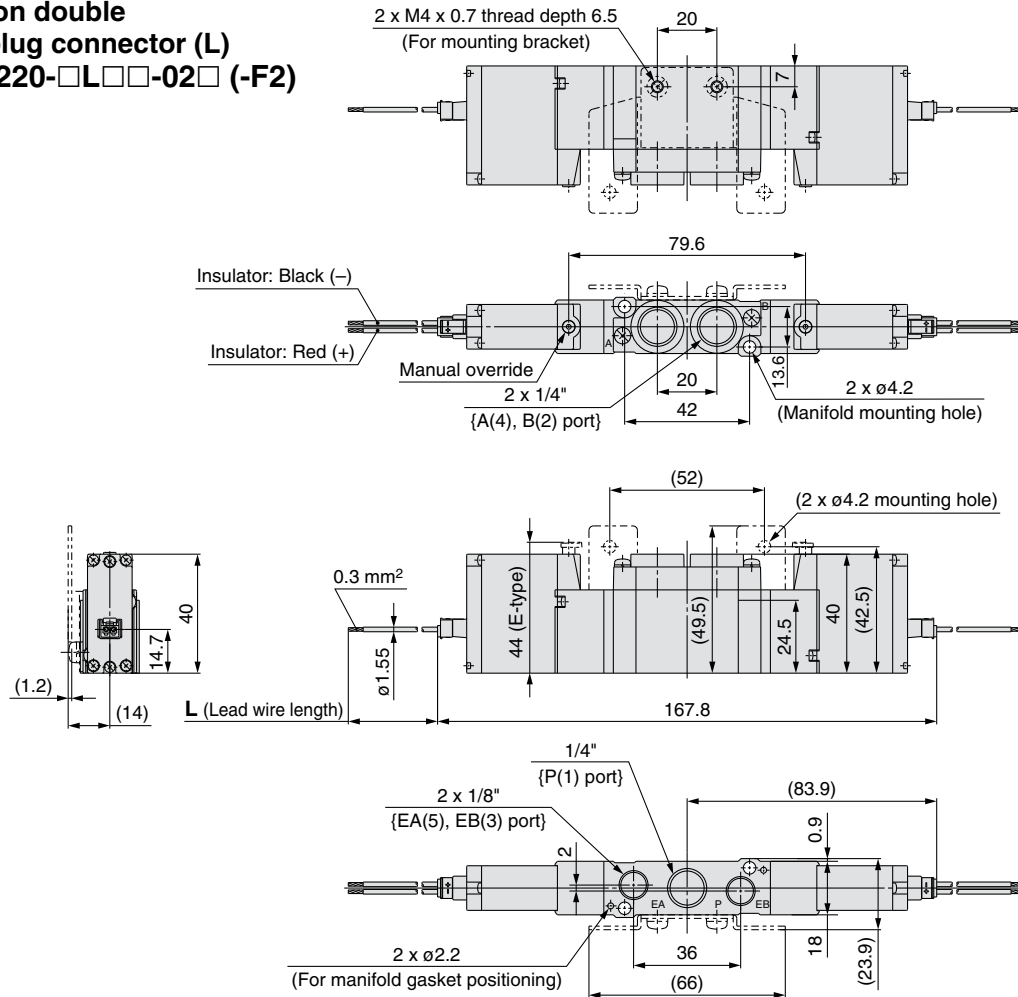


# Series 53-SY5000/7000/9000

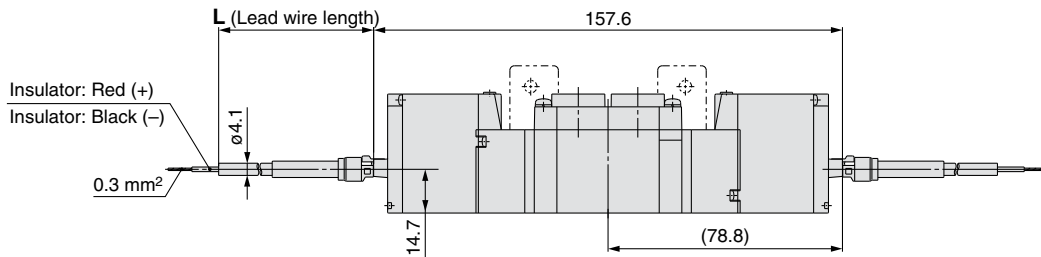
## Dimensions: 53-SY7000

(mm)

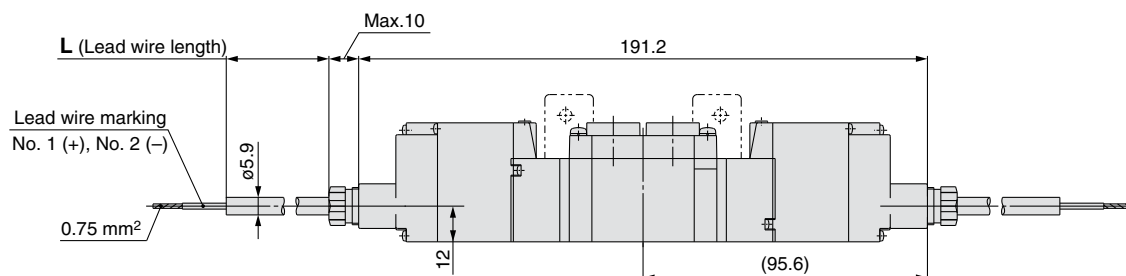
### 2-position double L-type plug connector (L) 53-SY7220-□L□□-02□ (-F2)



### L-type plug connector with cover (LL) 53-SY7220-□LL□□-02□ (-F2)



### Terminal type (TT) 53-SY7220-□TT□□-02□ (-F2)



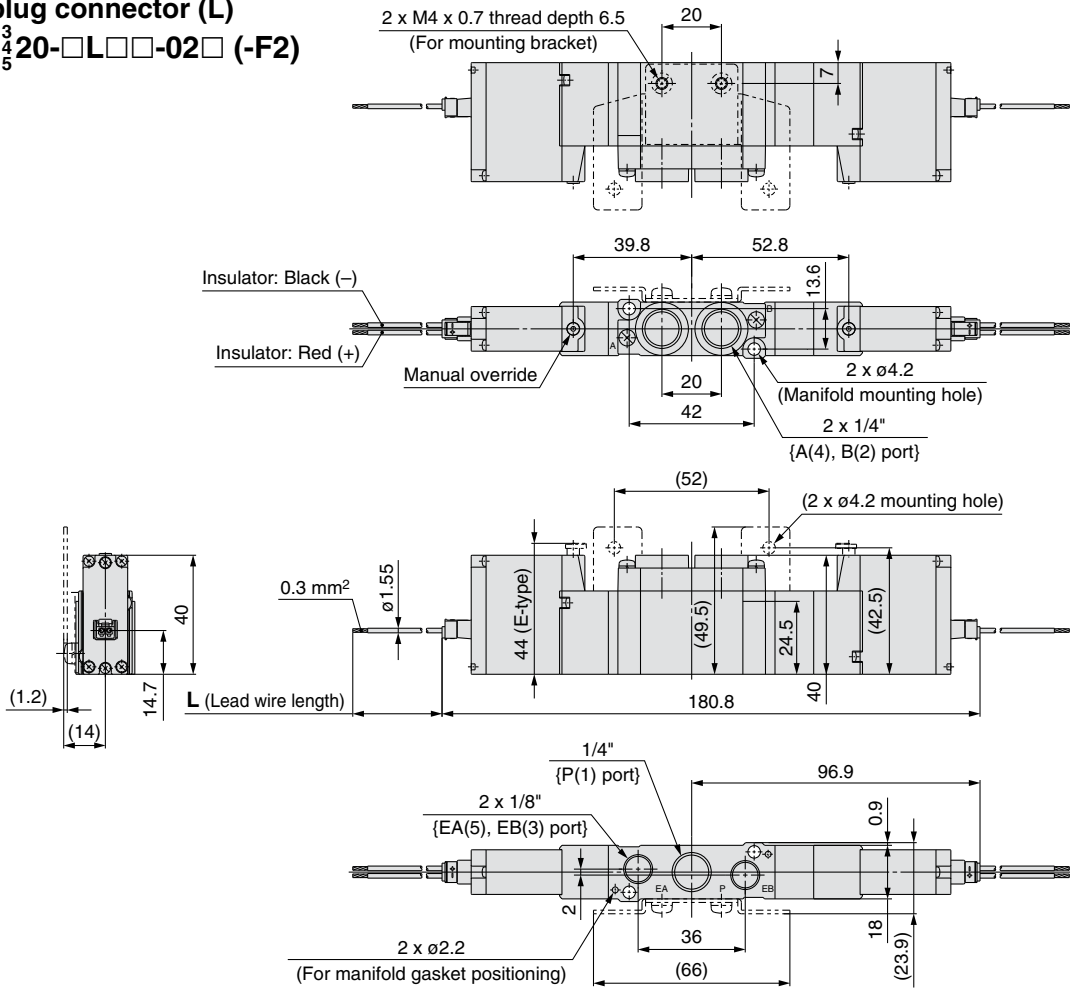
**Dimensions: 53-SY7000**

(mm)

**3-position closed center/exhaust center/pressure center**

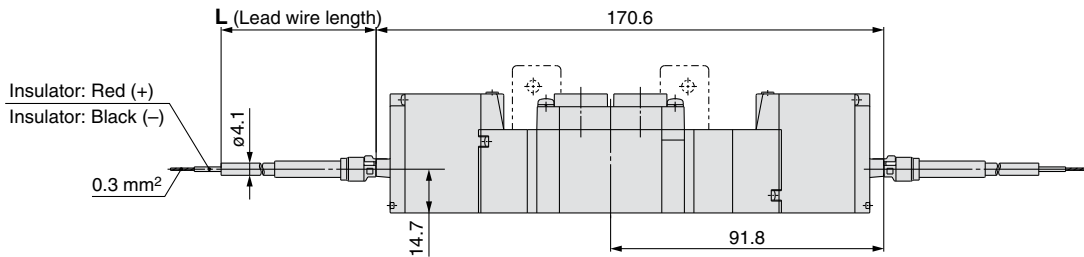
**L-type plug connector (L)**

**53-SY7<sup>3</sup>/<sub>5</sub>20-□L□□-02□ (-F2)**



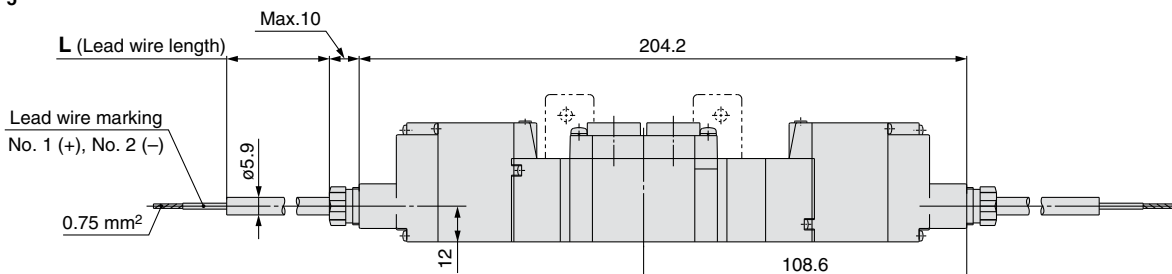
**L-type plug connector with cover (LL)**

**53-SY7<sup>3</sup>/<sub>5</sub>20-□LL□□-02□ (-F2)**



**Terminal type (TT)**

**53-SY7<sup>3</sup>/<sub>5</sub>20-□TT□□-02□ (-F2)**



# Series 53-SY5000/7000/9000

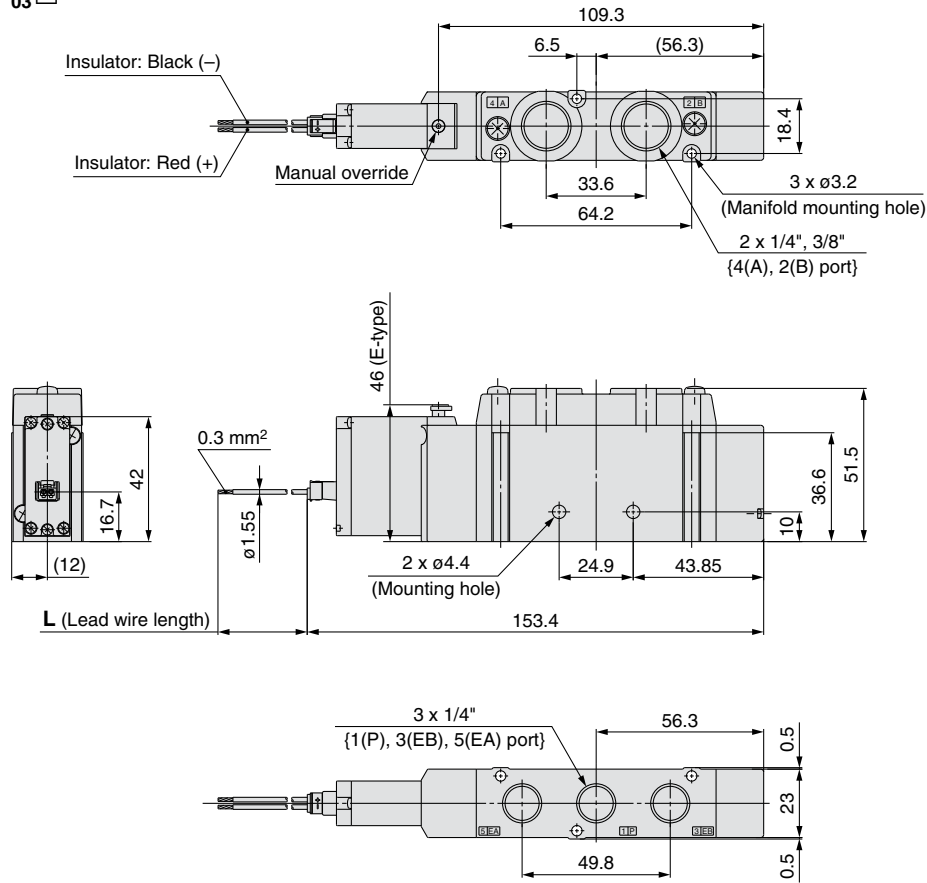
## Dimensions: 53-SY9000

(mm)

### 2-position single

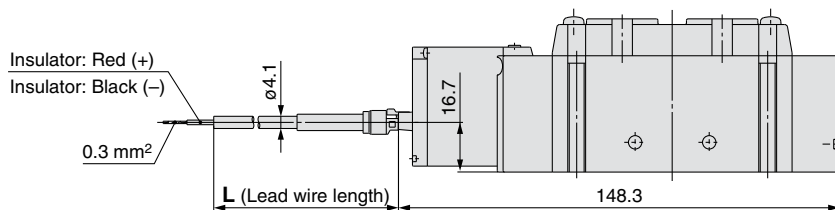
### L-type plug connector (L)

53-SY9120-□L□□-<sup>02</sup>/<sub>03</sub>□



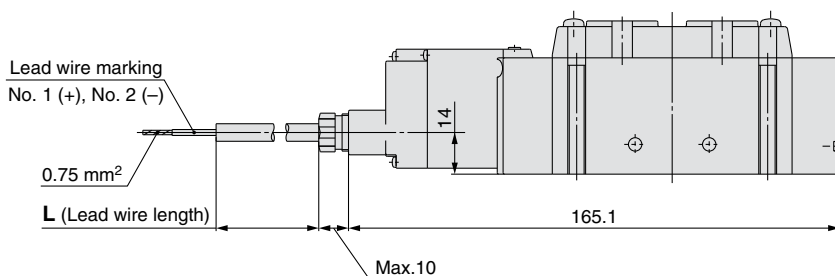
### L-type plug connector with cover (LL)

53-SY9120-□LL□□-<sup>02</sup>/<sub>03</sub>□



### Terminal type (TT)

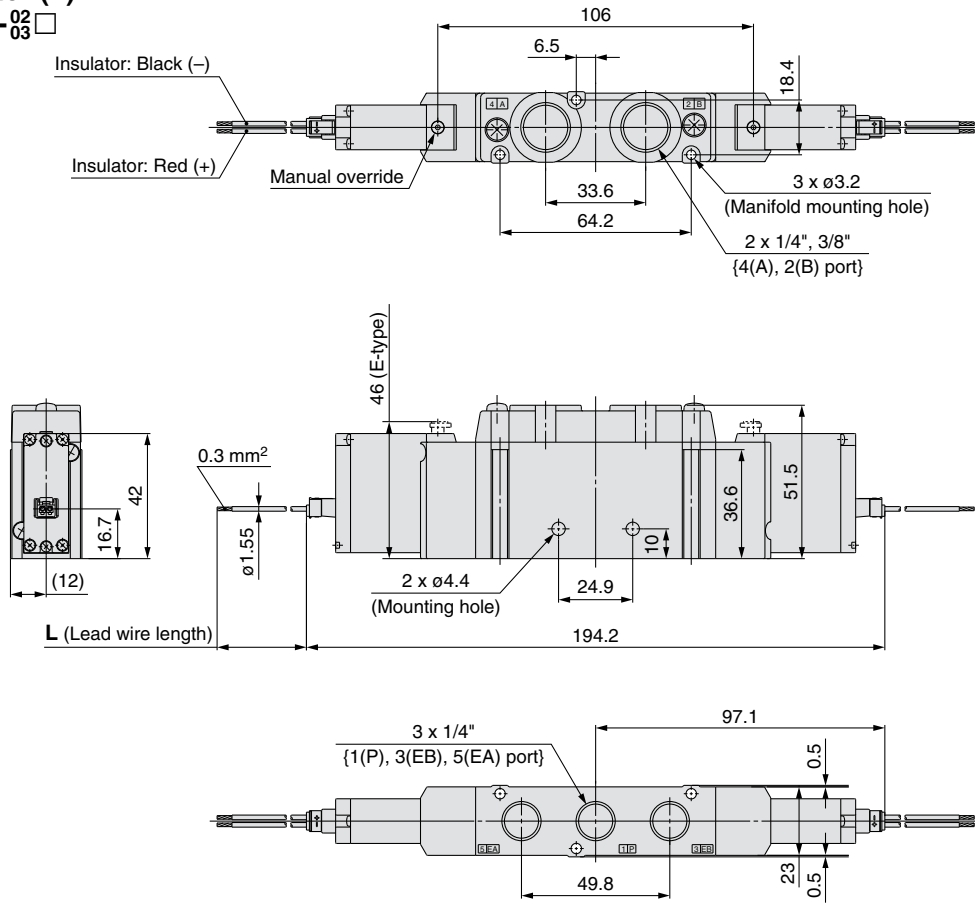
53-SY9120-□TT□□-<sup>02</sup>/<sub>03</sub>□



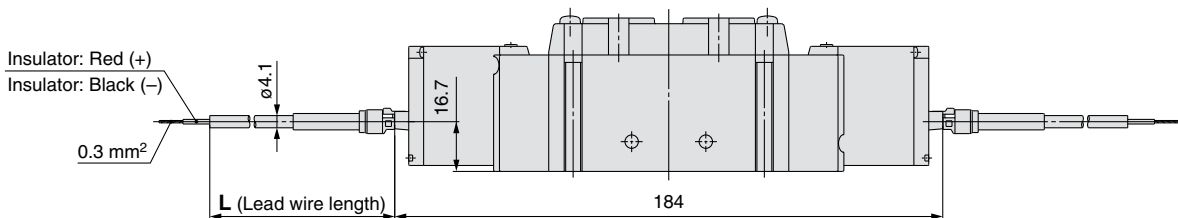
**Dimensions: 53-SY9000**

(mm)

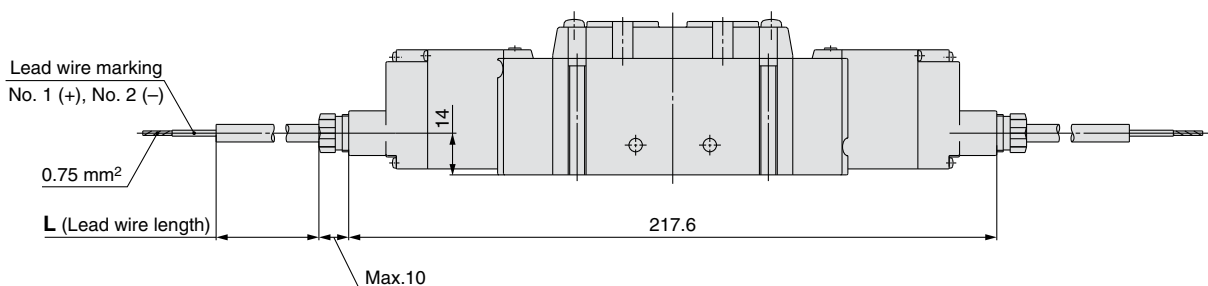
**2-position double  
L-type plug connector (L)**  
53-SY9220-□L□□-<sup>02</sup>/<sub>03</sub>□



**L-type plug connector with cover (LL)**  
53-SY9220-□LL□□-<sup>02</sup>/<sub>03</sub>□



**Terminal type (TT)**  
53-SY9220-□TT□□-<sup>02</sup>/<sub>03</sub>□



# Intrinsically Safe Valve 5 Port Solenoid Valve Series 53-SY5000/7000/9000 Base Mounted Single Unit



Electrical Entry TT Hazardous Location Class I, II, III Division 1 Groups A, B, C, D, E, F, G	Electrical Entry L and LL Hazardous Location Class I Division 1 Groups A, B, C, D
---	---

### Warning

Do not install in Zone 0 (as defined in IEC 60079-10-1: 2008) or Zone 20 (as defined in IEC 60079-10-2: 2009)(Refer to page 40 for details)

## How to Order

53-SY 5 2 40 - LL - - - -

UL/CSA compliant

Series

5	53-SY5000
7	53-SY7000
9	53-SY9000

Type of actuation

1	2-position single (A) 4 2 (B) (EA) 5 1 3 (EB) (P)
2	2-position double (A) 4 2 (B) (EA) 5 1 3 (EB) (P)
3 Note 1)	3-position closed center (A) 4 2 (B) (EA) 5 1 3 (EB) (P)
4 Note 1)	3-position exhaust center (A) 4 2 (B) (EA) 5 1 3 (EB) (P)
5 Note 1)	3-position pressure center (A) 4 2 (B) (EA) 5 1 3 (EB) (P)
A Note 2)	4-position dual 3 port valves (N.C./N.C.) 4(A) 2(B) 5(EA) 1(P) 3(EB)
B Note 2)	4-position dual 3 port valves (N.O./N.O.) 4(A) 2(B) 5(EA) 1(P) 3(EB)
C Note 2)	4-position dual 3 port valves (N.C./N.O.) 4(A) 2(B) 5(EA) 1(P) 3(EB)

Note 1) 3-position type is not available for the 53-SY9000 series.

Note 2) 4-position dual 3 port valves are available for 53-SY5000 only.

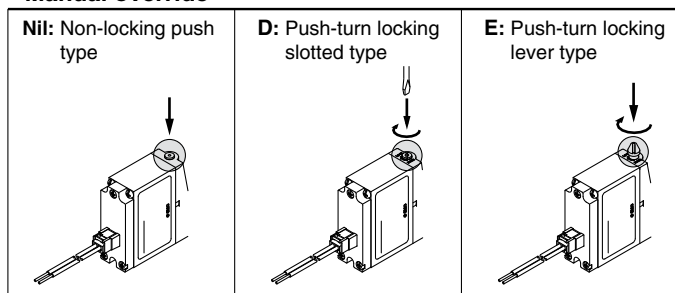
Thread type

Nil	Rc
F	G
N	NPT
T	NPTF

Port size

Symbol	Port size	Applicable series
Nil	Without sub-plate	
02	1/4 With sub-plate	53-SY5000 53-SY7000
03	3/8 With sub-plate	53-SY7000 53-SY9000
04	1/2 With sub-plate	53-SY9000

Manual override



Lead wire length

Symbol	Lead wire length	Note
3	300 mm	—
6	600 mm	Maximum length for L-type
10	1000 mm	—
15	1500 mm	—
20	2000 mm	—
30	3000 mm	—
100	10000 mm	Semi-standard

Electrical entry

Symbol	L	LL	TT (Note)
	L-type plug connector	L-type plug connector with cover	Terminal type
Electrical entry			

Note) The lead wire of TT-type is connected to the terminal block. Use only supplied cable and nut.

Pilot type

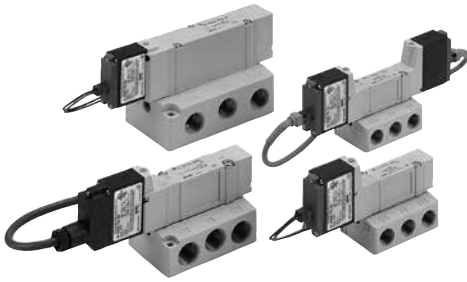
Nil	Internal pilot
R	External pilot (Note)

Note) External pilot is not available for 4-position dual 3-port valves.

### Warning

The solenoid must be connected to a safety barrier located in a non-hazardous area. The safety barrier must meet the specifications listed in the Installation Instructions section.

## Specifications



\* Based on IEC 60529

Note) Impact resistance: No malfunction occurred when tested in the axial direction and at the right angles to the main valve and armature in both energized and de-energized states.

Vibration resistance: No malfunction occurred in a one-sweep test between 45 and 2000 Hz. Testing was performed at both energized and de-energized states in the axial direction and at the right angles to the main valve and armature.

### Warning

To insure intrinsic safety, the valve is to be installed in an impact and vibration free environment.

Series		53-SY5000	53-SY7000	53-SY9000
Fluid		Air		
Internal pilot operating pressure range	2-position single 4-position dual 3 port valve	20 to 100 psi (0.15 to 0.7 MPa)		
	2-position double	15 to 100 psi (0.1 to 0.7 MPa)		
	3-position	30 to 100 psi (0.2 to 0.7 MPa)		
External pilot operating pressure range	Operating pressure range		-15 to 100 psi (-100 kPa to 0.7 MPa)	
	Pilot pressure range	2-position single	35 to 100 psi (0.25 to 0.7 MPa)	
		2-position double	35 to 100 psi (0.25 to 0.7 MPa)	
3-position		35 to 100 psi (0.25 to 0.7 MPa)		
Ambient and fluid temperature		15 to 120°F (-10 to 50°C) (No freezing)		
Max. operating frequency (Hz)	2-position single, double 4-position dual 3 port valve		5	
	3-position		3	
	Manual override (Manual operation)		Non-locking push type, Push-turn locking slotted type, Push-turn locking lever type	
Pilot exhaust method	Internal pilot		Main/Pilot valve common exhaust	
	External pilot		Pilot valve individual exhaust	
Lubrication		Not required		
Mounting orientation		Unrestricted		
Impact/Vibration resistance (m/s <sup>2</sup> ) <small>Note)</small>		150/30		
Enclosure		IP30 (L-type), IP40 (LL-type), IP65 (TT-type)		

## Solenoid Specifications

Electrical entry	Terminal type (TT) L-type plug connector (L) L-type plug connector with cover (LL)
Coil rated voltage	12 VDC
Power consumption	0.52 W (at rated voltage)
Allowable voltage fluctuation	-10% to +10% of rate voltage
Temperature class	T4 Maximum surface temperature 275°F (135°C)

## Hazardous Locations Specifications

Electrical entry	Terminal type (TT)	L-type plug connector (L) LL-type plug connector (LL)
Hazardous Locations	Class I, II, III Division 1 Groups A, B, C, D, E, F, G	Class I Division 1 Groups A, B, C, D

Note) **Warning** Do not install in Zone 0 (as defined in IEC 60079-10-1: 2008) or Zone 20 (as defined in IEC 60079-10-2: 2009) (Refer to page 40 for details)

## Response Time

Note) Based on dynamic performance test, JIS B 8375-1981.

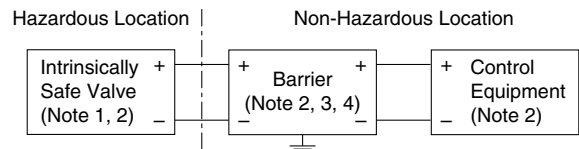
Type of actuation	Response time (ms) (at 70 psi [0.5 MPa]) <small>Note)</small>		
	53-SY5000	53-SY7000	53-SY9000
2-position single	26 or less	38 or less	50 or less
2-position double	22 or less	30 or less	50 or less
3-position	38 or less	56 or less	—
4-position dual 3 port valve	24 or less	—	—

Note) Response time may be longer depending on the specification of barrier.

## Warning

## Installation Instructions

### Installation Diagram



- This product must be connected in accordance with the +/- polarity indication.
- This product must be connected to a certified intrinsically safe circuit (e.g. Zener barrier) for apparatus group IIC with the following maximum values:  
 $U_i = 28\text{ V}$     $I_i = 225\text{ mA}$  (resistively limited)  
 $P_i = 1\text{ W}$     $C_i = 0\text{ nF}$     $L_i = 0\text{ mH}$   
 Confirm the solenoid input voltage at the lead wires is 12 VDC 10%.  
 The resistance of the solenoid valve is  $R_{20} + 278\text{ } 3\% \text{ Ohm}$  at 68°F (20°C).
- Do not bend or pull cables repeatedly.

### Warning

Note)

1. Control equipment connected to the barrier must not use or generate more than 250 V.
2. Installation should be in accordance with Canadian Electrical Code or ANSI/ISA RP12.6 "Installation of Intrinsically Safe Systems for Hazardous (Classified) Locations" and the National Electrical Code or ANSI/NFPA 70.
3. Barrier manufacturer's installation drawing must be followed when installing this equipment.
4. Multiple barriers are not to be used in parallel unless specifically permitted by the barrier certification.

To insure that intrinsically safe criteria are met, use the below parameters to determine the appropriate barrier.

Note) C<sub>cab</sub> and L<sub>cab</sub> represents the capacitance and inductance of wire added by the consumer from the intrinsically safe equipment to the barrier. C<sub>cab</sub> and L<sub>cab</sub> values must be used in the system calculations.

I.S. Equipment	Barrier
$U_i$	$\geq U_o$ (or $V_{oc}$ )
$I_i$	$\geq I_o$ (or $I_{sc}$ )
$P_i$	$\geq P_o$
$C_i + C_{cab}$	$\leq C_o$ (or $C_a$ )
$L_i + L_{cab}$	$\leq L_o$ (or $L_a$ )

If the cable capacitance and inductance are unknown, use the following values:

C<sub>cab</sub> = 60 pF/ft., L<sub>cab</sub> = 0.2 μH/ft.

If the barrier P<sub>o</sub> is unknown, it may be calculated using the formula  $P_o = (U_o \times I_o)/4$  or  $(V_{oc} \times I_{sc})/4$ .

# Series 53-SY5000/7000/9000

## Flow-rate Characteristics

### Series 53-SY5000

Valve model	Type of actuation		Port size	Flow-rate characteristics <sup>Note)</sup>					
				1 → 4/2 (P → A/B)			4/2 → 5/3 (A/B → EA/EB)		
				C [dm <sup>3</sup> /(s·bar)]	b	Cv	C [dm <sup>3</sup> /(s·bar)]	b	Cv
53-SY5□40-□ -02	2-position	Single	1/4	2.4	0.41	0.64	2.8	0.29	0.66
		Double							
	3-position	Closed center		1.8	0.47	0.50	1.8	0.40	0.47
		Exhaust center		1.4	0.55	0.44	3.0 [1.2]	0.33 [0.48]	0.72 [0.37]
		Pressure center		3.3 [0.84]	0.36 [0.60]	0.85 [0.28]	1.8	0.40	0.48
	4-position dual 3 port	N.C./N.C.		1.8	0.39	0.56	2.2	0.32	0.64
N.O./N.O.		2.4	0.34	0.72	1.9	0.38	0.59		

Note) [ ]: Indicates normal position

### Series 53-SY7000

Valve model	Type of actuation		Port size	Flow-rate characteristics <sup>Note)</sup>					
				1 → 4/2 (P → A/B)			4/2 → 5/3 (A/B → EA/EB)		
				C [dm <sup>3</sup> /(s·bar)]	b	Cv	C [dm <sup>3</sup> /(s·bar)]	b	Cv
53-SY7□40-□ -02	2-position	Single	1/4	4.1	0.41	1.1	4.1	0.29	1.0
		Double							
	3-position	Closed center		3.0	0.43	0.80	2.6	0.41	0.72
		Exhaust center		2.6	0.42	0.71	4.7 [1.7]	0.35 [0.48]	1.1 [0.49]
	Pressure center	5.3 [2.3]	0.39 [0.49]	1.3 [0.65]	2.2	0.49	0.63		
53-SY7□40-□ -03	2-position	Single	3/8	4.9	0.29	1.2	4.5	0.27	1.1
		Double							
	3-position	Closed center		3.0	0.40	0.80	2.6	0.45	0.73
		Exhaust center		2.6	0.42	0.71	4.8 [1.7]	0.35 [0.48]	1.1 [0.49]
	Pressure center	5.3 [2.3]	0.31 [0.51]	1.3 [0.64]	2.3	0.45	0.66		

Note) [ ]: Indicates normal position

### Series 53-SY9000

Valve model	Type of actuation		Port size	Flow-rate characteristics					
				1 → 4/2 (P → A/B)			4/2 → 5/3 (A/B → EA/EB)		
				C [dm <sup>3</sup> /(s·bar)]	b	Cv	C [dm <sup>3</sup> /(s·bar)]	b	Cv
53-SY9□40-□ -03	2-position	Single	3/8	7.9	0.34	2.0	9.6	0.43	2.6
Double									
53-SY9□40-□ -04	2-position	Single	1/2	8.0	0.48	2.2	10	0.29	2.5
Double									



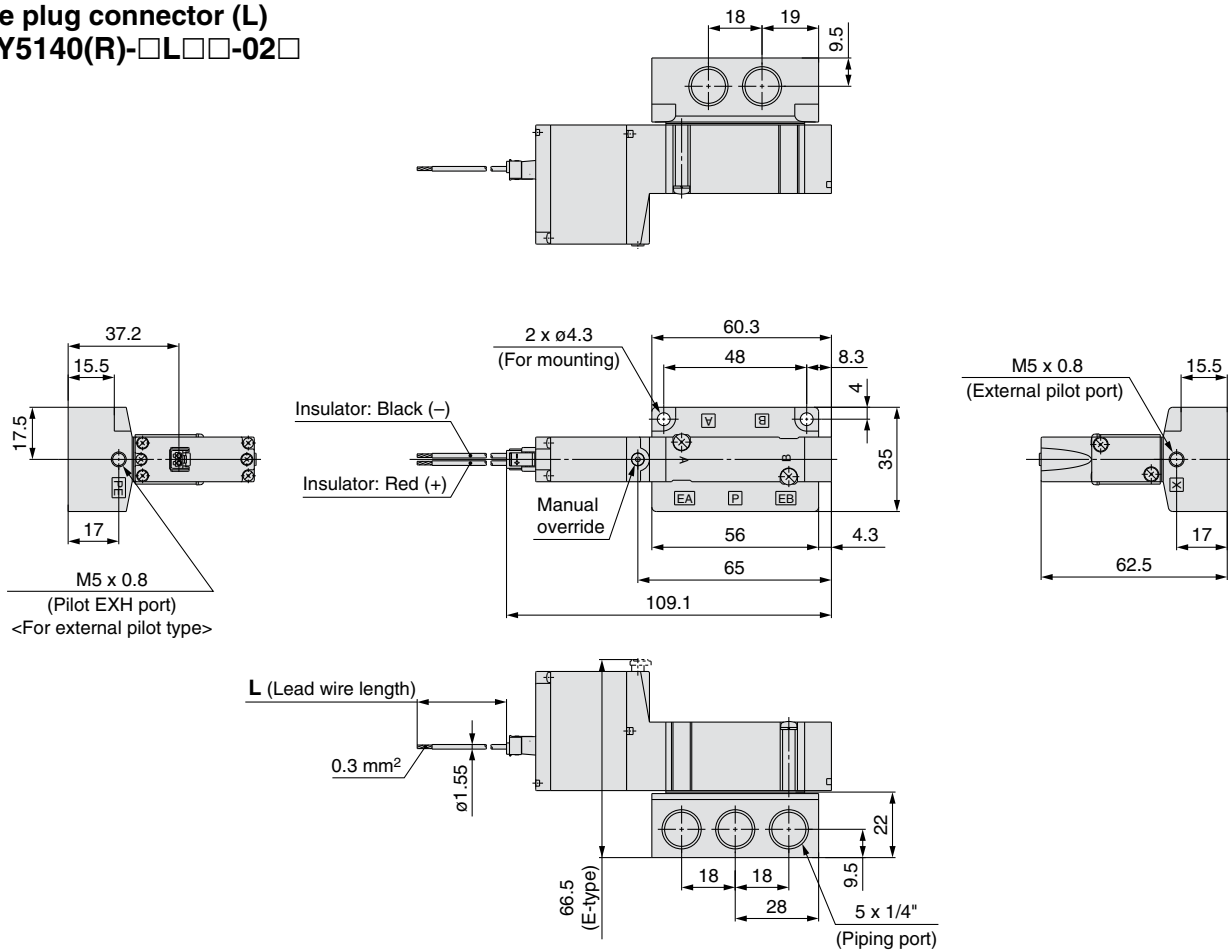
**Dimensions: 53-SY5000**

(mm)

2-position single

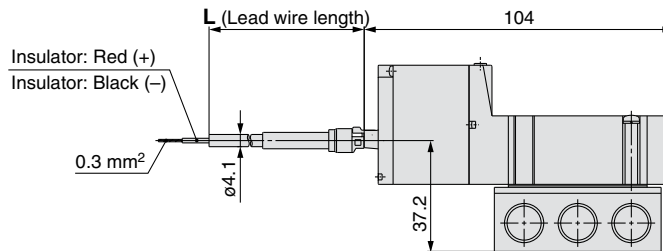
L-type plug connector (L)

53-SY5140(R)-□L□□-02□



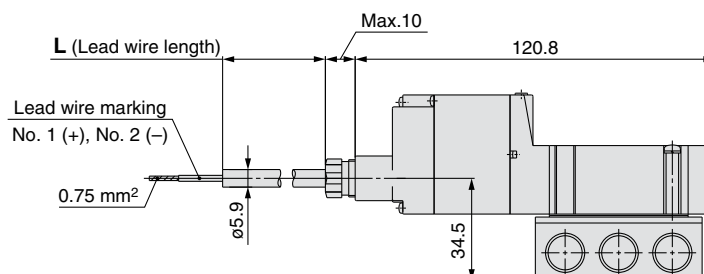
L-type plug connector with cover (LL)

53-SY5140(R)-□LL□□-02□



Terminal type (TT)

53-SY5140(R)-□TT□□-02□



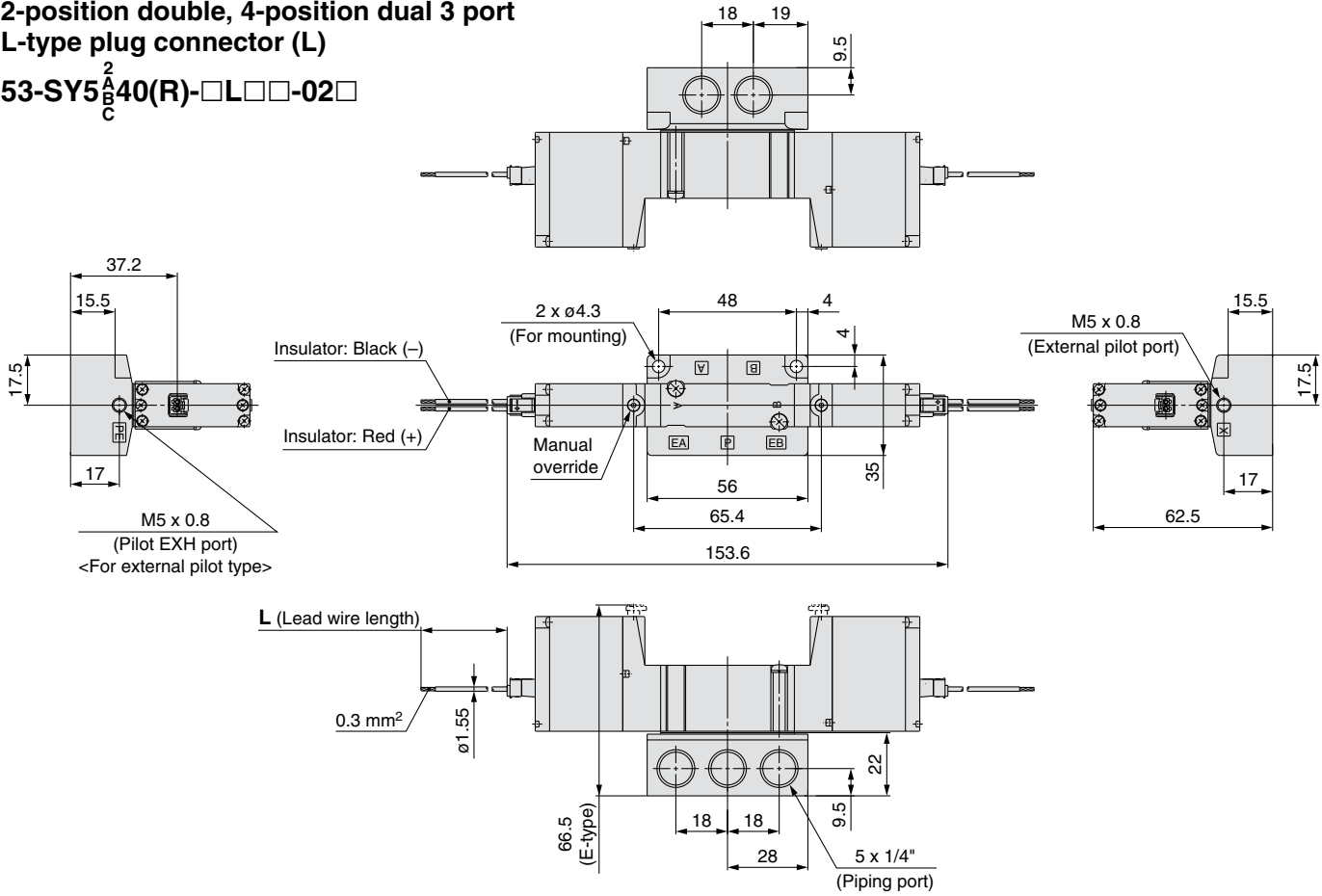
# Series 53-SY5000/7000/9000

## Dimensions: 53-SY5000

(mm)

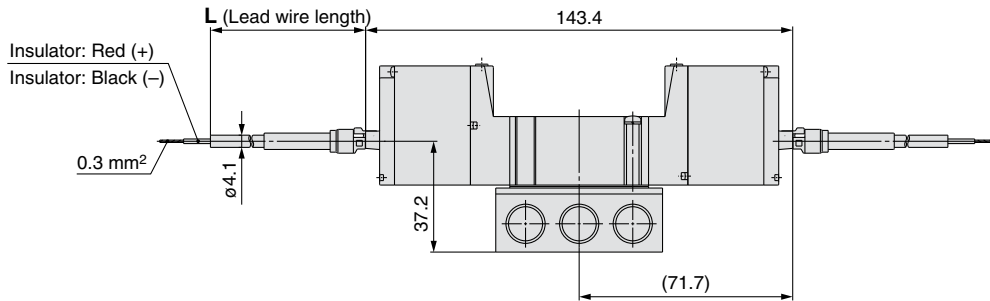
2-position double, 4-position dual 3 port  
L-type plug connector (L)

53-SY5<sup>A</sup><sub>B</sub>40(R)-□L□□-02□  
C



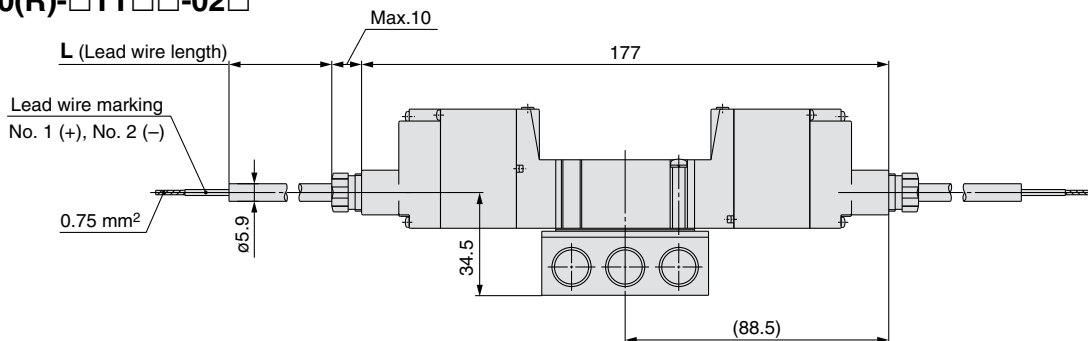
L-type plug connector with cover (LL)

53-SY5<sup>A</sup><sub>B</sub>40(R)-□LL□□-02□  
C



Terminal type (TT)

53-SY5<sup>A</sup><sub>B</sub>40(R)-□TT□□-02□  
C



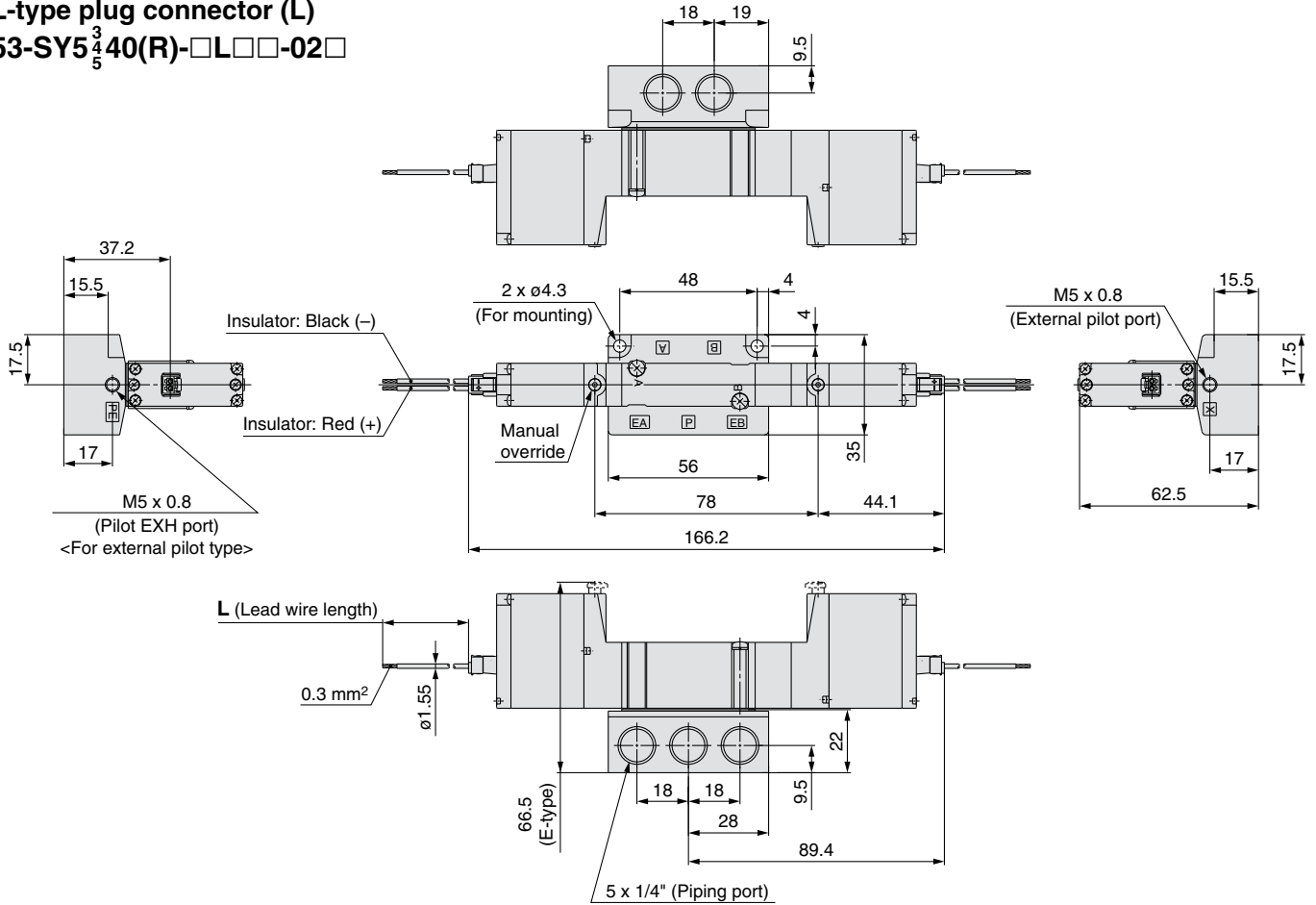
**Dimensions: 53-SY5000**

(mm)

**3-position closed center/exhaust center/pressure center**

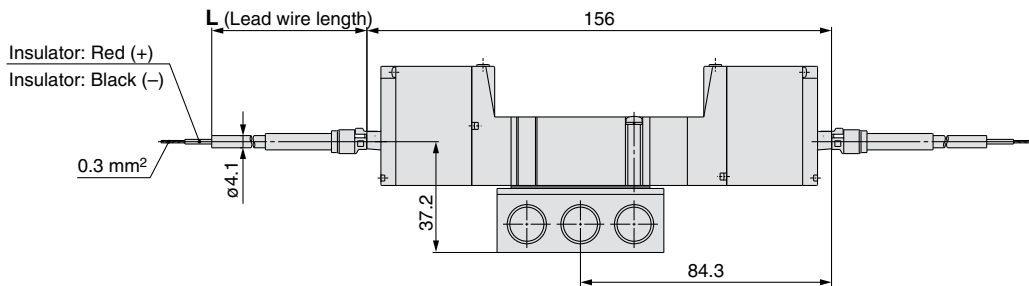
**L-type plug connector (L)**

**53-SY<sup>3</sup><sub>5</sub>40(R)-□L□□-02□**



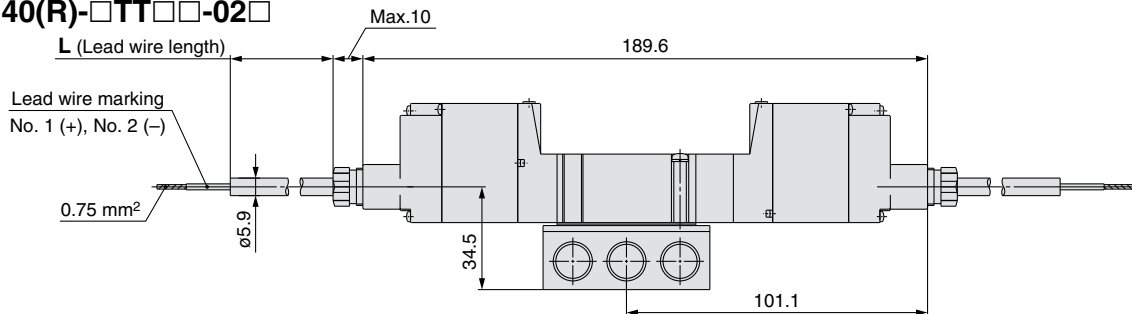
**L-type plug connector with cover (LL)**

**53-SY<sup>3</sup><sub>5</sub>40(R)-□LL□□-02□**



**Terminal type (TT)**

**53-SY<sup>3</sup><sub>5</sub>40(R)-□TT□□-02□**



# Series 53-SY5000/7000/9000

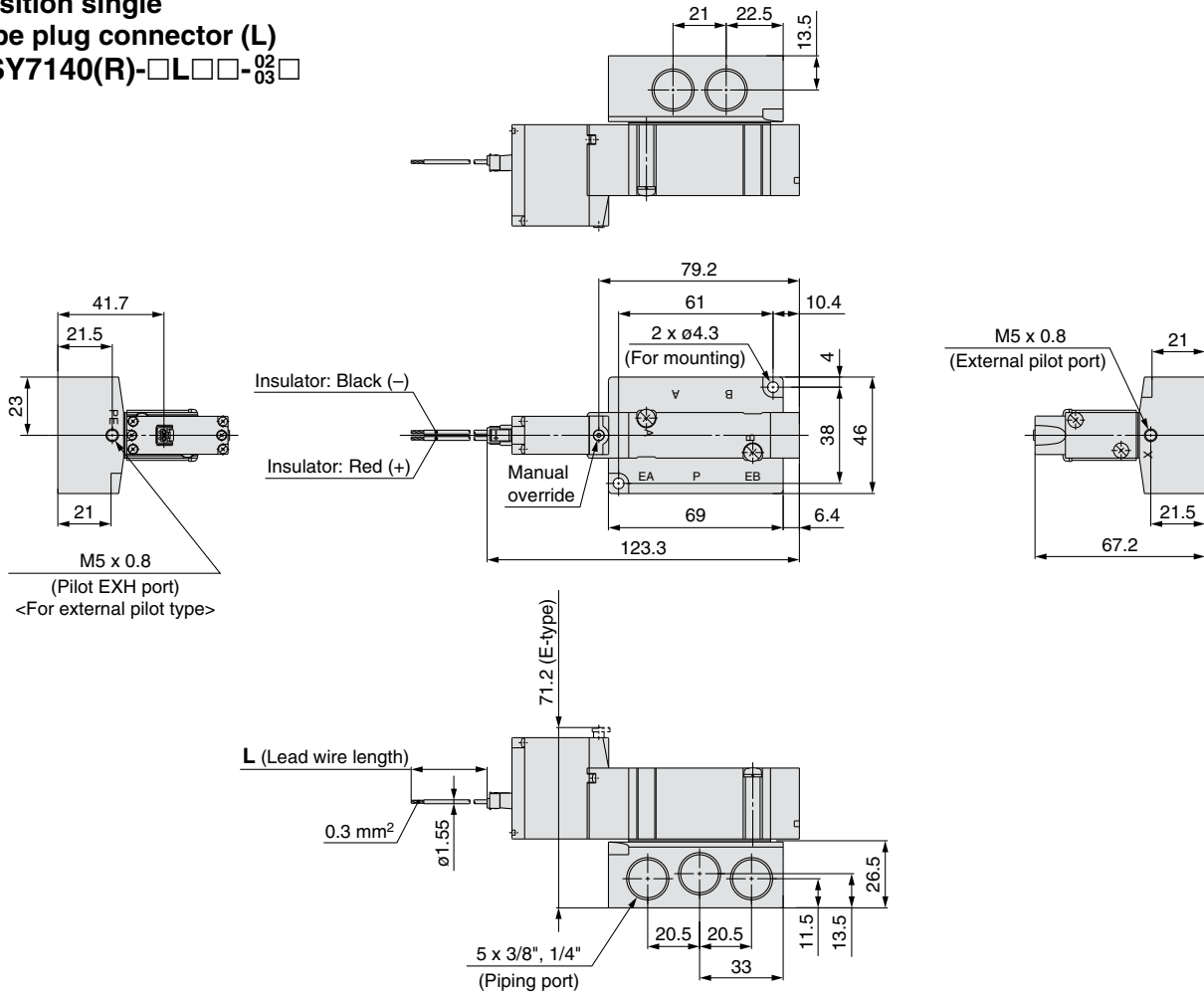
## Dimensions: 53-SY7000

(mm)

2-position single

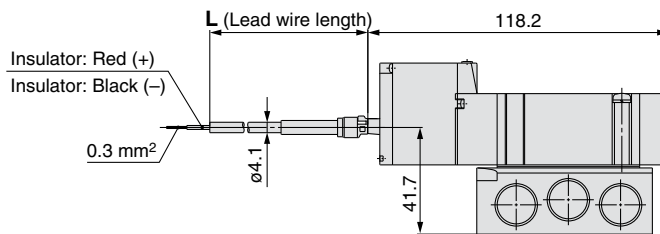
L-type plug connector (L)

53-SY7140(R)-□L□□-<sup>02</sup>/<sub>03</sub>□



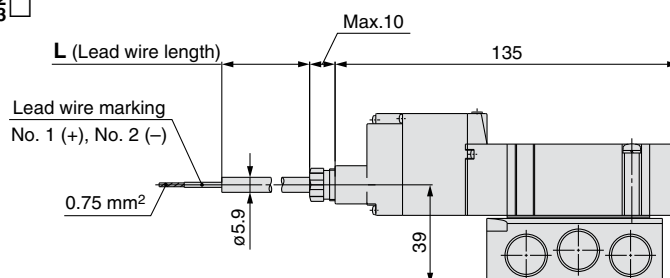
L-type plug connector with cover (LL)

53-SY7140(R)-□LL□□-<sup>02</sup>/<sub>03</sub>□



Terminal type (TT)

53-SY7140(R)-□TT□□-<sup>02</sup>/<sub>03</sub>□



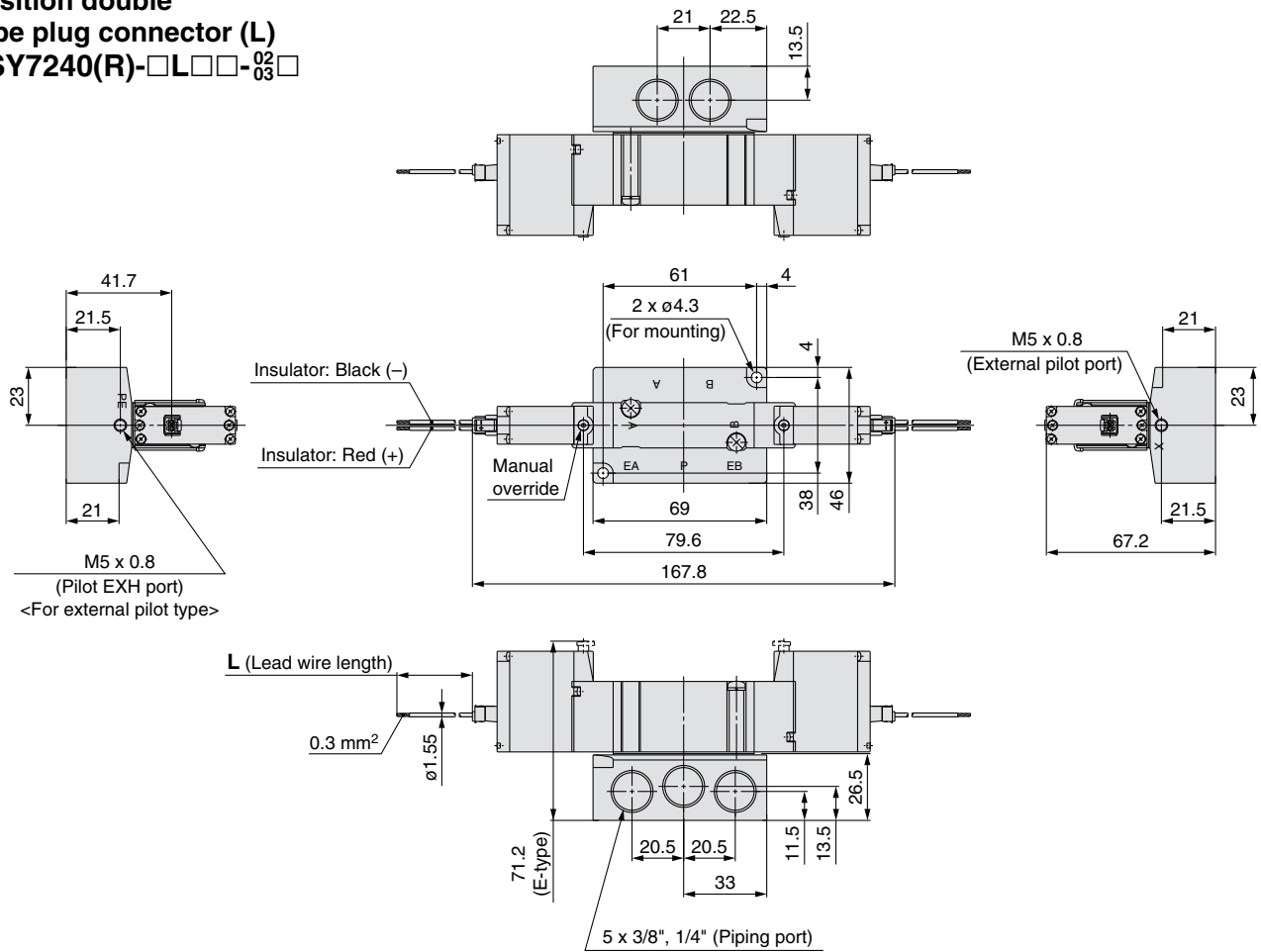
**Dimensions: 53-SY7000**

(mm)

**2-position double**

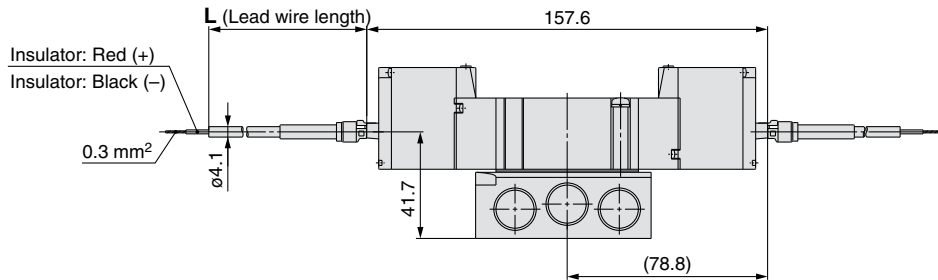
**L-type plug connector (L)**

**53-SY7240(R)-□L□□-<sup>02</sup>/<sub>03</sub>□**



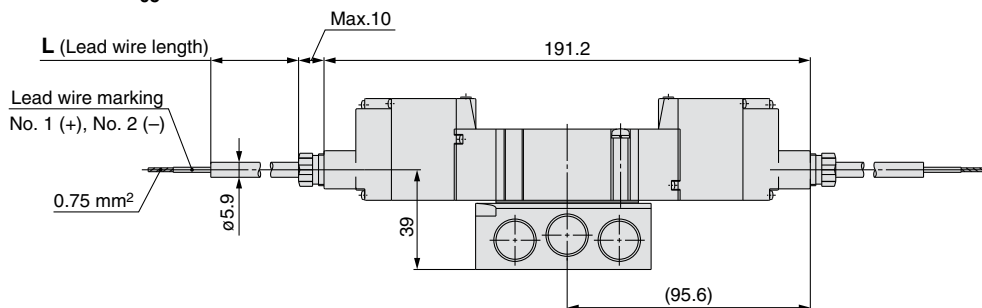
**L-type plug connector with cover (LL)**

**53-SY7240(R)-□LL□□-<sup>02</sup>/<sub>03</sub>□**

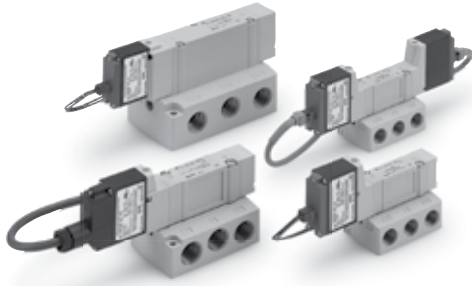


**Terminal type (TT)**

**53-SY7240(R)-□TT□□-<sup>02</sup>/<sub>03</sub>□**



# Series 53-SY5000/7000/9000



## Specifications

Series		53-SY5000	53-SY7000	53-SY9000
Fluid		Air		
Internal pilot operating pressure range	2-position single 4-position dual 3 port valve	0.15 to 0.7 MPa (20 to 100 psi)		
	2-position double	0.1 to 0.7 MPa (15 to 100 psi)		
	3-position	0.2 to 0.7 MPa (30 to 100 psi)		
External pilot operating pressure range	Operating pressure range	-100 kPa to 0.7 MPa (-15 to 100 psi)		
	Pilot pressure range	2-position single	0.25 to 0.7 MPa (35 to 100 psi)	
		2-position double	0.25 to 0.7 MPa (35 to 100 psi)	
3-position		0.25 to 0.7 MPa (35 to 100 psi)		
Ambient and fluid temperature		-10 to 50°C (15 to 120°F) (No freezing)		
Max. operating frequency (Hz)	2-position single, double 4-position dual 3 port valve	1		
	3-position	1		
Manual override (Manual operation)		Non-locking push type, Push-turn locking slotted type, Push-turn locking lever type		
Pilot exhaust method	Internal pilot	Main/Pilot valve common exhaust		
	External pilot	Pilot valve individual exhaust		
Lubrication		Not required		
Mounting orientation		Unrestricted		
Impact/Vibration resistance (m/s <sup>2</sup> ) <sup>Note)</sup>		150/30		
Enclosure		IP30 (L-type), IP40 (LL-type), IP65 (TT-type)		

\* Based on IEC 60529

Note) Impact resistance: No malfunction occurred when tested in the axial direction and at the right angles to the main valve and armature in both energized and de-energized states.

Vibration resistance: No malfunction occurred in a one-sweep test between 45 and 2000 Hz. Testing was performed at both energized and de-energized states in the axial direction and at the right angles to the main valve and armature.

### Warning

To insure intrinsic safety, the valve is to be installed in an impact and vibration free environment.

## Solenoid Specifications

Electrical entry	Terminal type (TT) L-type plug connector (L) L-type plug connector with cover (LL)
Coil rated voltage	12 VDC
Power consumption	0.52 W (at rated voltage)
Allowable voltage fluctuation	-10% to +10% of rate voltage
Temperature class	T4 Maximum surface temperature 135°C (275°F)

## Hazardous Locations Specifications

Electrical entry	Terminal type (TT)	L-type plug connector (L) LL-type plug connector (LL)
Hazardous Locations	Class I, II, III Division 1 Groups A, B, C, D, E, F, G	Class I Division 1 Groups A, B, C, D

Note) **Warning** Do not install in Zone 0 (as defined in IEC 60079-10-1: 2008) or Zone 20 (as defined in IEC 60079-10-2: 2009) (Refer to page 40 for details)

## Response Time

Note) Based on dynamic performance test, JIS B 8375-1981

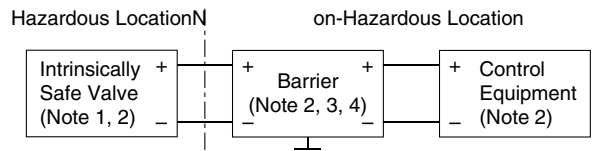
Type of actuation	Response time (ms) (at 0.5 MPa) <sup>Note)</sup>		
	53-SY5000	53-SY7000	53-SY9000
2-position single	26 or less	38 or less	50 or less
2-position double	22 or less	30 or less	50 or less
3-position	38 or less	56 or less	—
4-position dual 3 port valve	24 or less	—	—

Note) Response time may be longer depending on the specification of barrier.

## Warning

### Installation Instructions

#### Installation Diagram



- This product must be connected in accordance with the +/- polarity indication.
- This product must be connected to a certified intrinsically safe circuit (e.g. Zener barrier) for apparatus group IIC with the following maximum values:  
 $U_i = 28\text{ V}$     $I_i = 225\text{ mA}$  (resistively limited)  
 $P_i = 1\text{ W}$     $C_i = 0\text{ nF}$     $L_i = 0\text{ mH}$   
 Confirm the solenoid input voltage at the lead wires is  $12\text{ VDC} \pm 10\%$ .  
 The resistance of the solenoid valve is  $R_{20} + 278 \pm 3\%$  Ohm at  $20^\circ\text{C}$ .
- Do not bend or pull cables repeatedly.

### Warning

Note)

- Control equipment connected to the barrier must not use or generate more than 250 V.
- Installation should be in accordance with Canadian Electrical Code or ANSI/ISA RP12.6 "Installation of Intrinsically Safe Systems for Hazardous (Classified) Locations" and the National Electrical Code or ANSI/NFPA 70.
- Barrier manufacturer's installation drawing must be followed when installing this equipment.
- Multiple barriers are not to be used in parallel unless specifically permitted by the barrier certification.

To insure that intrinsically safe criteria are met, use the below parameters to determine the appropriate barrier.

Note)  $C_{\text{cable}}$  and  $L_{\text{cable}}$  represents the capacitance and inductance of wire added by the consumer from the intrinsically safe equipment to the barrier.  $C_{\text{cable}}$  and  $L_{\text{cable}}$  values must be used in the system calculations.

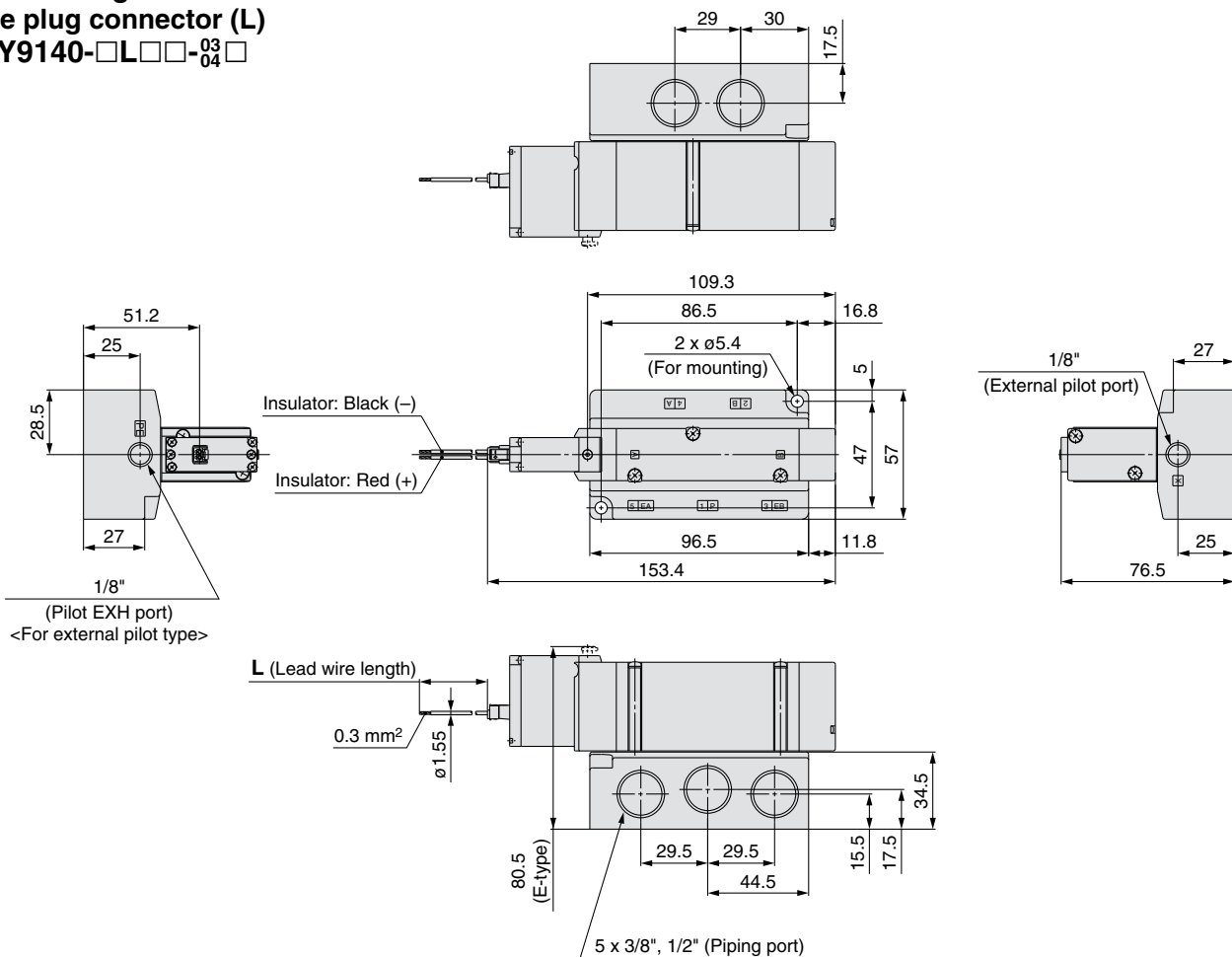
I.S. Equipment	Barrier
$U_i$	$U_o$ (or $V_{oc}$ )
$I_i$	$I_o$ (or $I_{sc}$ )
$P_i$	$P_o$
$C_i + C_{\text{cable}}$	$C_o$ (or $C_a$ )
$L_i + L_{\text{cable}}$	$L_o$ (or $L_a$ )

If the cable capacitance and inductance are unknown, use the following values:  
 $C_{\text{cable}} = 60\text{ pF/ft.}$ ,  $L_{\text{cable}} = 0.2\text{ }\mu\text{H/ft.}$

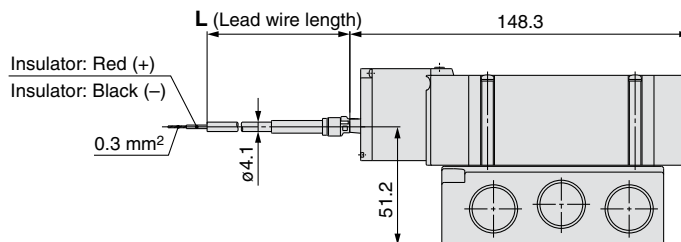
If the barrier  $P_o$  is unknown, it may be calculated using the formula  $P_o = (U_o \times I_o)/4$  or  $(V_{oc} \times I_{sc})/4$ .

**Dimensions: 53-SY9000**

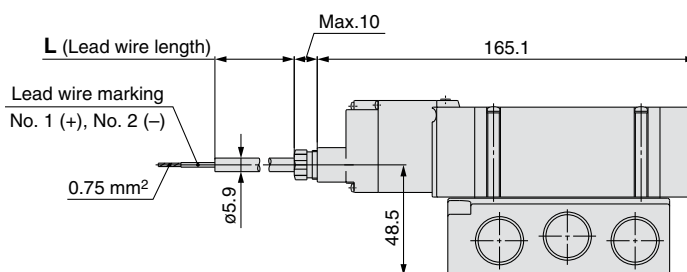
2-position single  
L-type plug connector (L)  
53-SY9140-□L□□-<sup>03</sup>/<sub>04</sub>□



L-type plug connector with cover (LL)  
53-SY9140-□LL□□-<sup>03</sup>/<sub>04</sub>□



Terminal type (TT)  
53-SY9140-□TT□□-<sup>03</sup>/<sub>04</sub>□

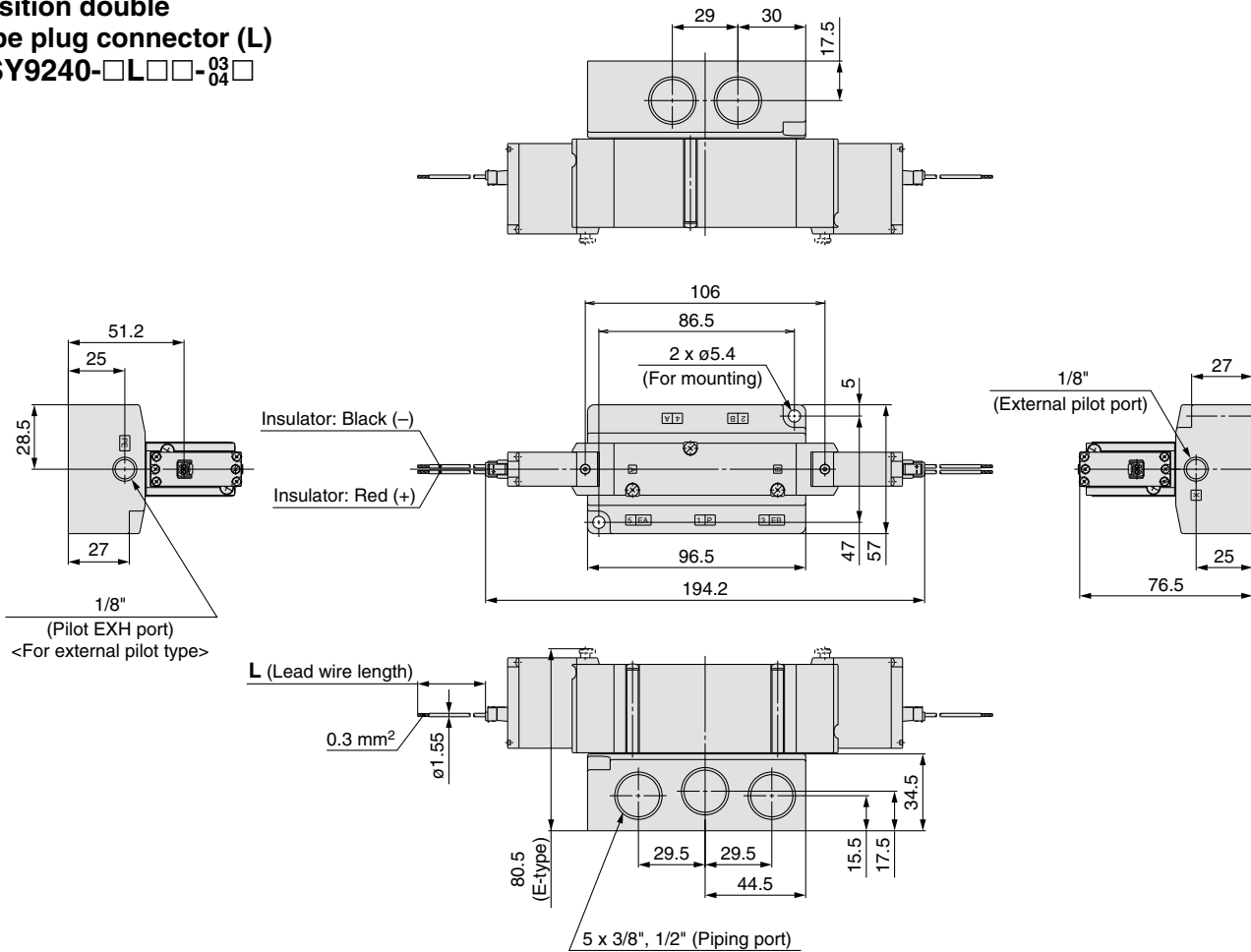


# Series 53-SY5000/7000/9000

## Dimensions: 53-SY9000

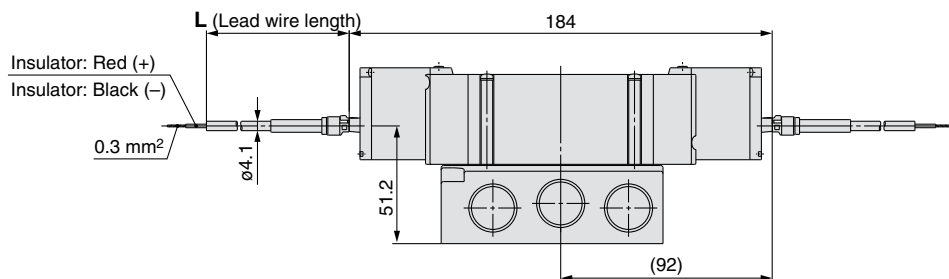
(mm)

2-position double  
L-type plug connector (L)  
53-SY9240-□L□□-<sup>03</sup>/<sub>04</sub>□



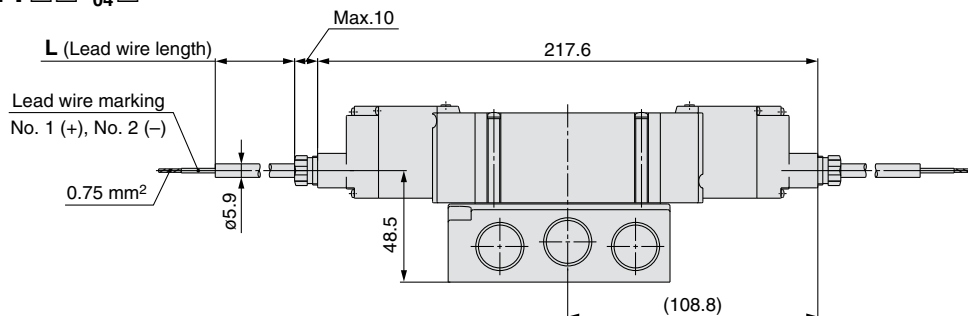
L-type plug connector with cover (LL)

53-SY9240-□LL□□-<sup>03</sup>/<sub>04</sub>□



Terminal type (TT)

53-SY9240-□TT□□-<sup>03</sup>/<sub>04</sub>□







Type **20**

# 5 Port Solenoid Valve Series 53-SY5000/7000 Body Ported Manifold Bar Stock Type

## How to Order Manifold

53 - SS5Y 5 - 20 - 05 - □

UL/CSA compliant

Manifold series

5	53-SY5000
7	53-SY7000

Stations

02	2 stations
⋮	⋮
20	20 stations

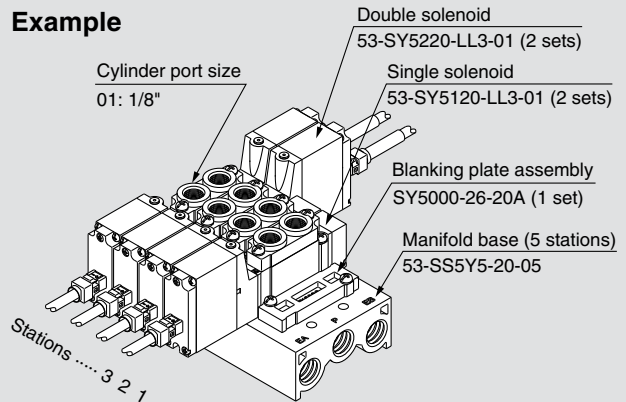
\* This also includes the number of blanking plate assemblies.

Thread type

Nil	Rc
00F	G
00N	NPT
00T	NPTF

## How to Order Valve Manifold Assembly

### Example



- 53-SS5Y5-20-05 ..... 1 set (Type 20, 5 station manifold base part no.)
  - \* SY5000-26-20A ..... 1 set (Blanking plate assembly part no.)
  - \* 53-SY5120-LL3-01 ..... 2 sets (Single solenoid part no.)
  - \* 53-SY5220-LL3-01 ..... 2 sets (Double solenoid part no.)
- The asterisk denotes the symbol for assembly. Prefix it to the part nos. of the solenoid valve, etc.

Add the valve and option part number under the manifold base part number. In the case of complex arrangement, specify them on the manifold specification sheet.

Electrical Entry TT Hazardous Location Class I, II, III Division 1 Groups A, B, C, D, E, F, G	Electrical Entry L and LL Hazardous Location Class I Division 1 Groups A, B, C, D
---	---



**Warning**  
Do not install in Zone 0 (as defined in IEC 60079-10-1: 2008) or Zone 20 (as defined in IEC 60079-10-2: 2009) (Refer to page 40 for details)

## How to Order Valve

**53-SY 5 1 20-LL 3 - 01**

UL/CSA compliant

Series

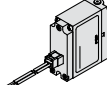
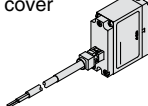
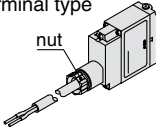
5	53-SY5000
7	53-SY7000

Type of actuation

1	2-position single
2	2-position double
3	3-position closed center
4	3-position exhaust center
5	3-position pressure center
A <sup>Note)</sup>	4-position dual 3 port valve (N.C./N.C.)
B <sup>Note)</sup>	4-position dual 3 port valve (N.O./N.O.)
C <sup>Note)</sup>	4-position dual 3 port valve (N.C./N.O.)

Note) 4-position dual 3 port valves are available for 53-SY5000 only.

Electrical entry

Symbol	Electrical entry
L	L-type plug connector 
LL	L-type plug connector with cover 
TT <sup>Note)</sup>	Terminal type nut 

Note) The lead wire of TT-type is connected to the terminal block. Use only supplied cable and nut.

Thread type

Nil	Rc
F	G
N	NPT
T	NPTF

A, B port size  
Thread piping

Symbol	Port size	Applicable series
01	1/8	53-SY5000
02	1/4	53-SY7000

One-touch fitting (Metric size) <sup>Note)</sup>

Symbol	Port size	Applicable series
C4	ø4 One-touch fitting	53-SY5000
C6	ø6 One-touch fitting	
C8	ø8 One-touch fitting	
C8	ø8 One-touch fitting	53-SY7000
C10	ø10 One-touch fitting	

One-touch fitting (Inch size) <sup>Note)</sup>

Symbol	Port size	Applicable series
N3	ø5/32" One-touch fitting	53-SY5000
N7	ø1/4" One-touch fitting	
N9	ø5/16" One-touch fitting	
N9	ø5/16" One-touch fitting	53-SY7000
N11	ø3/8" One-touch fitting	

Note) **Warning**

If a resin tubing is used, take precautions against static electricity.

Manual override

Nil	Non-locking push type
D	Push-turn locking slotted type
E	Push-turn locking lever type

Lead wire length

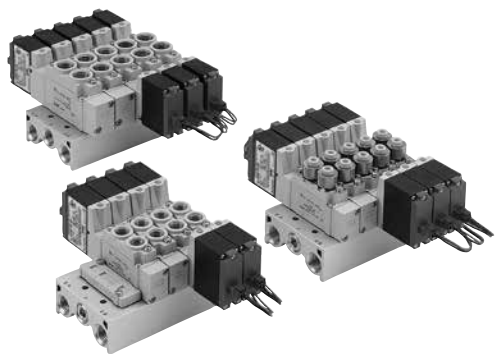
Symbol	Lead wire length	Note
3	300 mm	—
6	600 mm	Maximum length for L-type
10	1000 mm	—
15	1500 mm	—
20	2000 mm	—
30	3000 mm	—
100	10000 mm	Semi-standard

## **Warning**

The solenoid must be connected to a safety barrier located in a non-hazardous area. The safety barrier must meet the specifications listed in the Installation Instructions section.

Note) When placing an order for body ported solenoid valve as a single unit, mounting screws and gaskets for manifold are not included. Order them separately, if necessary. (For details, refer to page 30.)

# Series 53-SY5000/7000



## Manifold Specifications

Model		53-SS5Y5-20	53-SS5Y7-20
Applicable valve		53-SY5□20	53-SY7□20
Manifold type		Single base B mount	
P (SUP)/R (EXH)		Common SUP/EXH	
Valve stations		2 to 20 stations <sup>Note 1)</sup>	
A, B port location		Valve	
	P, EA, EB port	1/4	
Port size	A, B port	1/8 C4 (ø4 One-touch fitting) C6 (ø6 One-touch fitting) C8 (ø8 One-touch fitting) N3 (ø5/32" One-touch fitting) N7 (ø1/4" One-touch fitting) N9 (ø5/16" One-touch fitting)	1/4 C8 (ø8 One-touch fitting) C10 (ø10 One-touch fitting) N7 (ø1/4" One-touch fitting) N11 (ø3/8" One-touch fitting)
		Manifold base weight W (g) n: Stations	W = 36n + 64

Note 1) For 10 stations or more (5 stations or more for the 53-SS5Y7), supply pressure to P port on both sides and exhaust from EA/EB port on both sides.

Note 2) Refer to "Manifold Options" on page 30.

**Warning** If a resin tubing is used, take precautions against static electricity.

## Flow-rate Characteristics

Model	Port size		Flow-rate characteristics					
	1, 5, 3 (P, EA, EB)	4, 2 (A, B)	1 → 4/2 (P → A/B)			4/2 → 5/3 (A/B → EA/EB)		
			C [dm <sup>3</sup> /(s·bar)]	b	Cv	C [dm <sup>3</sup> /(s·bar)]	b	Cv
53-SS5Y5-20	1/4	C8	1.9	0.28	0.48	2.2	0.20	0.53
53-SS5Y7-20	1/4	C10	3.6	0.31	0.93	3.6	0.27	0.88

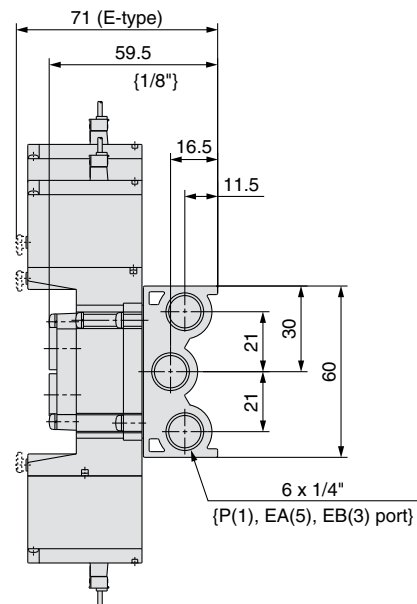
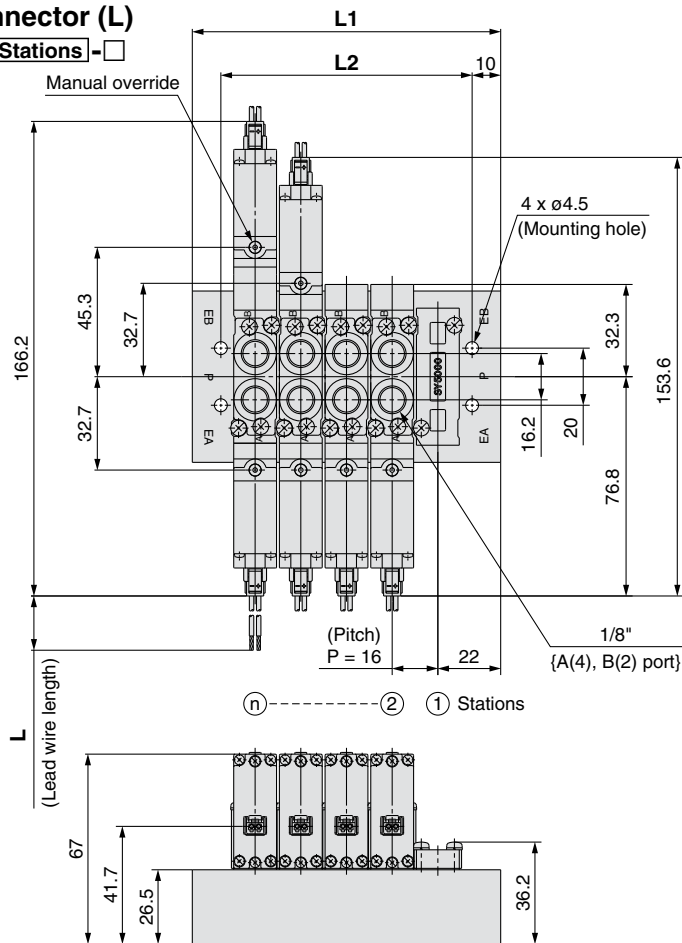
Note) The value is for manifold base with 5 stations and individually operated 2-position type.

## Dimensions: 53-SY5000

(mm)

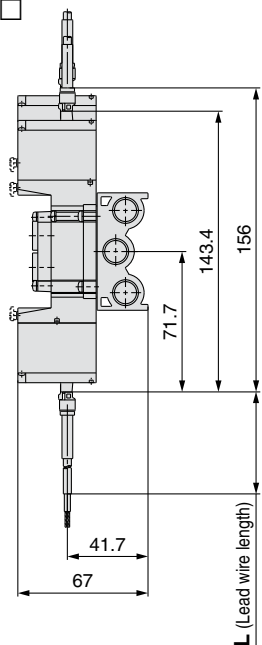
### L-type plug connector (L)

53-SS5Y5-20--



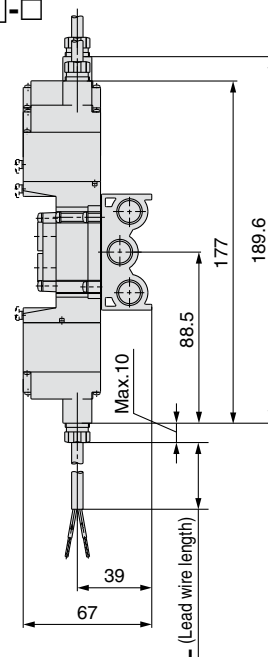
### L-type plug connector with cover (LL)

53-SS5Y5-20--



### Terminal type (TT)

53-SS5Y5-20--



Stations n	2 stations	3 stations	4 stations	5 stations	6 stations	7 stations	8 stations	9 stations	10 stations	11 stations	12 stations	13 stations	14 stations	15 stations	16 stations	17 stations	18 stations	19 stations	20 stations
<b>L1</b>	60	76	92	108	124	140	156	172	188	204	220	236	252	268	284	300	316	332	348
<b>L2</b>	40	56	72	88	104	120	136	152	168	184	200	216	232	248	264	280	296	312	328

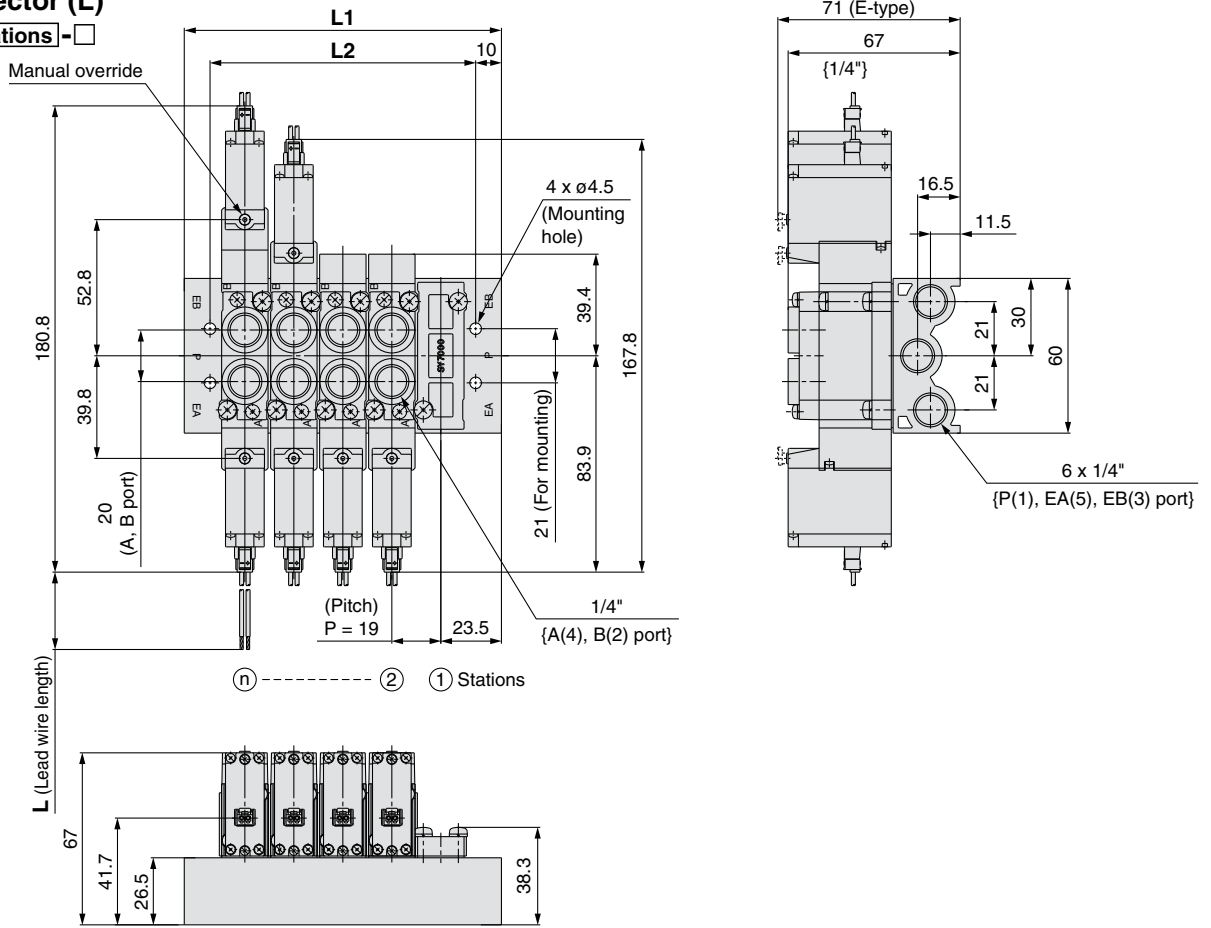
# Series 53-SY5000/7000

## Dimensions: 53-SY7000

(mm)

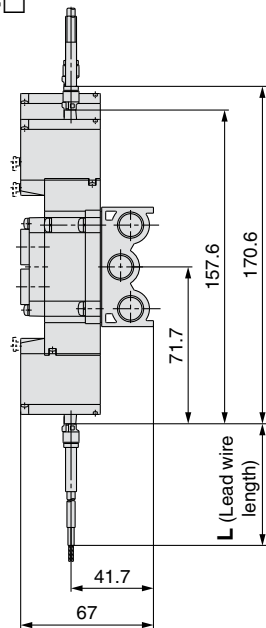
### L-type plug connector (L)

53-SS5Y7-20- Stations -



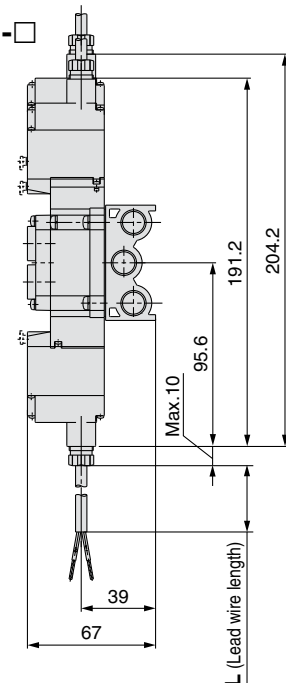
### L-type plug connector with cover (LL)

53-SS5Y7-20- Stations -



### Terminal type (TT)

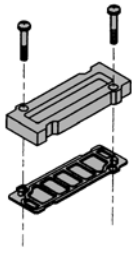
53-SS5Y7-20- Stations -



Stations n	2 stations	3 stations	4 stations	5 stations	6 stations	7 stations	8 stations	9 stations	10 stations	11 stations	12 stations	13 stations	14 stations	15 stations	16 stations	17 stations	18 stations	19 stations	20 stations
<b>L1</b>	66	85	104	123	142	161	180	199	218	237	256	275	294	313	332	351	370	389	408
<b>L2</b>	46	65	84	103	122	141	160	179	198	217	236	255	274	293	312	331	350	369	388

**Manifold Options**

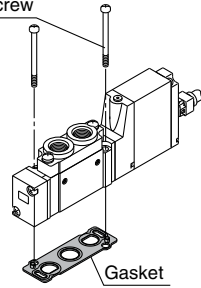
■ **Type 20  
Blanking Plate Assembly**



Series	Assembly part no.
<b>53-SY5000</b>	SY5000-26-20A
<b>53-SY7000</b>	SY7000-26-22A

■ **Gasket Assembly Part No.**

Round head combination screw



Series	Gasket assembly
<b>53-SY5000</b>	SY5000-GS-1
<b>53-SY7000</b>	SY7000-GS-1

Note) Gasket assembly consists of 10 sets of mounting screws and gaskets.

**⚠ Caution**

**Mounting screw  
tightening torques**

**M3: 0.6 lbf·ft (0.8 N·m)**

**M4: 1.0 lbf·ft (1.4 N·m)**

**⚠ Warning**

When mounting a valve on the manifold base or sub-plate, etc., those mounting directions are predetermined. If mounted in the wrong direction, the equipment to be connected may malfunction. Refer to external dimensions, and then mount it.

Type **41**

Type **42**

# 5 Port Solenoid Valve Series 53-SY5000/7000 Base Mounted Manifold Bar Stock Type

## How to Order Manifold

### Type 41/Compact Type

**53 - SS5Y 5 - 41 - 05 - 01** □

UL/CSA compliant

Manifold series  
5 53-SY5000

Stations	
02	2 stations
⋮	⋮
20	20 stations

\* This also includes the number of blanking plate assemblies.

A, B port size  
Thread piping

Symbol	Port size	Applicable series
01	1/8	53-SY5000

#### One-touch fitting (Metric size)

Symbol	Port size	Applicable series
C6	ø6 One-touch fitting	53-SY5000
C8	ø8 One-touch fitting	

#### One-touch fitting (Inch size)

Symbol	Port size	Applicable series
N7	ø1/4" One-touch fitting	53-SY5000
N9	ø5/16" One-touch fitting	

Thread type

	Rc
Nil	G
F	NPT
N	NPTF
T	

### Type 42/External Pilot Capable

**53 - SS5Y 5 - 42 - 05 - 02** □

UL/CSA compliant

Manifold series  
5 53-SY5000  
7 53-SY7000

Stations	
02	2 stations
⋮	⋮
20	20 stations

Thread type

	Rc
Nil	G
F	NPT
N	NPTF
T	

A, B port size

Thread piping

Symbol	Port size	Applicable series
02	1/4	53-SY5000 53-SY7000

#### One-touch fitting (Metric size)

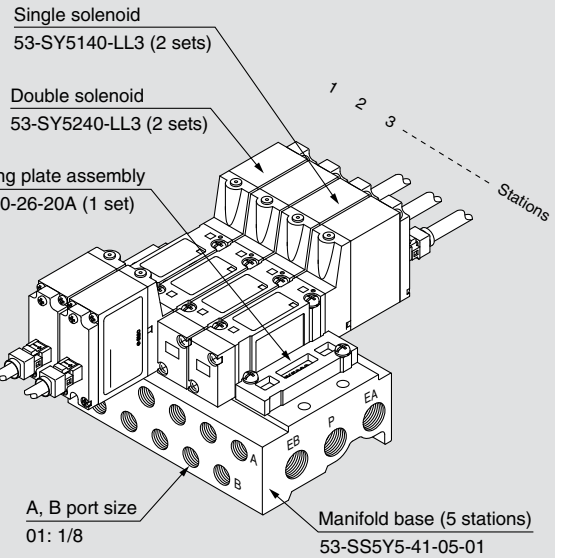
Symbol	Port size	Applicable series
C6	ø6 One-touch fitting	53-SY5000
C8	ø8 One-touch fitting	
C10	ø10 One-touch fitting	53-SY7000

#### One-touch fitting (Inch size)

Symbol	Port size	Applicable series
N7	ø1/4" One-touch fitting	53-SY5000
N9	ø5/16" One-touch fitting	
N11	ø3/8" One-touch fitting	53-SY7000

## How to Order Valve Manifold Assembly

### Example



53-SS5Y5-41-05-01 ..... 1 set (Type 41, 5 station manifold base part no.)  
 \* 53-SY5240-LL3 ..... 2 sets (Double solenoid part no.)  
 \* 53-SY5140-LL3 ..... 2 sets (Single solenoid part no.)  
 \* SY5000-26-20A ..... 1 set (Blanking plate assembly part no.)

→ The asterisk denotes the symbol for assembly. Prefix it to the part nos. of the solenoid valve, etc.

Add the valve and option part number under the manifold base part number. In the case of complex arrangement, specify them on the manifold specification sheet.

### Warning

If a resin tubing is used, take precautions against static electricity.



Electrical Entry TT Hazardous Location Class I, II, III Division 1 Groups A, B, C, D, E, F, G	Electrical Entry L and LL Hazardous Location Class I Division 1 Groups A, B, C, D
---	---



**Warning**

Do not install in Zone 0 (as defined in IEC 60079-10-1: 2008) or Zone 20 (as defined in IEC 60079-10-2: 2009)(Refer to page 40 for details)

## How to Order Valve

**53-SY 5 2 40** [ ] - **LL 3** [ ]

UL/CSA compliant

**Series**

5	53-SY5000
7	53-SY7000

**Type of actuation**

<b>1</b>	2-position single
<b>2</b>	2-position double
<b>3</b>	3-position closed center
<b>4</b>	3-position exhaust center
<b>5</b>	3-position pressure center
<b>A</b> <small>Note)</small>	4-position dual 3 port valve (N.C./N.C.)
<b>B</b> <small>Note)</small>	4-position dual 3 port valve (N.O./N.O.)
<b>C</b> <small>Note)</small>	4-position dual 3 port valve (N.C./N.O.)

Note) 4-position dual 3 port valves are available for 53-SY5000 only.

**Pilot type**

<b>Nil</b>	Internal pilot
<b>R</b>	External pilot <small>Note)</small>

Note) External pilot is not available for 4-position dual 3-port valves.

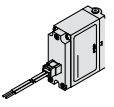
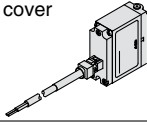
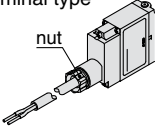
**Manual override**

<b>Nil</b>	Non-locking push type
<b>D</b>	Push-turn locking slotted type
<b>E</b>	Push-turn locking lever type

**Lead wire length**

Symbol	Lead wire length	Note
<b>3</b>	300 mm	—
<b>6</b>	600 mm	Maximum length for L-type
<b>10</b>	1000 mm	—
<b>15</b>	1500 mm	—
<b>20</b>	2000 mm	—
<b>30</b>	3000 mm	—
<b>100</b>	10000 mm	Semi-standard

**Electrical entry**

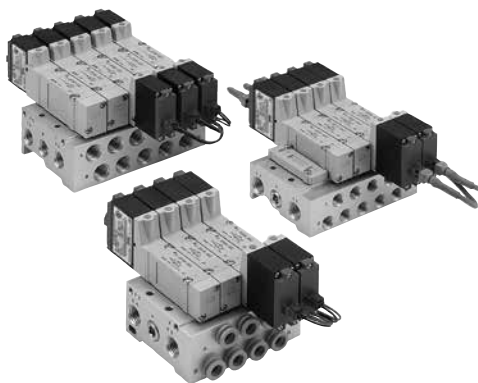
Symbol	Electrical entry
<b>L</b>	L-type plug connector 
<b>LL</b>	L-type plug connector with cover 
<b>TT</b> <small>Note)</small>	Terminal type 

Note) The lead wire of TT-type is connected to the terminal block. Use only supplied cable and nut.

**Warning**

The solenoid must be connected to a safety barrier located in a non-hazardous area. The safety barrier must meet the specifications listed in the Installation Instructions section.

# Series 53-SY5000/7000



## Manifold Specifications

Model		53-SS5Y5-41	53-SS5Y5-42	53-SS5Y7-42
Applicable valve		53-SY5□40		53-SY7□40
Manifold type		Single base B mount		
P (SUP)/R (EXH)		Common SUP/EXH		
Valve stations		2 to 20 stations <sup>Note 1)</sup>		
A, B port location	Location	Base		
	Direction	Side		
Port size	P, EA, EB port	1/4		
	A, B port	1/8	1/4	1/4 C10 (ø10 One-touch fitting) N11 (ø3/8" One-touch fitting)
		C6 (ø6 One-touch fitting) C8 (ø8 One-touch fitting) N7 (ø1/4" One-touch fitting) N9 (5/16" One-touch fitting)	C6 (ø6 One-touch fitting) C8 (ø8 One-touch fitting) N7 (ø1/4" One-touch fitting) N9 (5/16" One-touch fitting)	
Manifold base weight W (g) n: Stations	W = 61n + 101	W = 79n + 127	W = 100n + 151	

Note 1) For 10 stations or more (5 stations or more for the 53-SS5Y7), supply pressure to P port on both sides and exhaust from EA/EB port on both sides.

Note 2) Refer to "Manifold Options" on page 37.

## Flow-rate Characteristics

Model	Port size		Flow-rate characteristics					
	1, 5, 3 (P, EA, EB)	4, 2 (A, B)	1 → 4/2 (P → A/B)			4/2 → 5/3 (A/B → EA/EB)		
			C [dm <sup>3</sup> /(s·bar)]	b	Cv	C [dm <sup>3</sup> /(s·bar)]	b	Cv
53-SS5Y5-41	1/4	C8	1.8	0.23	0.44	1.9	0.16	0.45
53-SS5Y5-42	1/4	C8	1.9	0.20	0.46	1.9	0.12	0.43
53-SS5Y7-42	1/4	C10	3.0	0.25	0.75	3.0	0.12	0.66

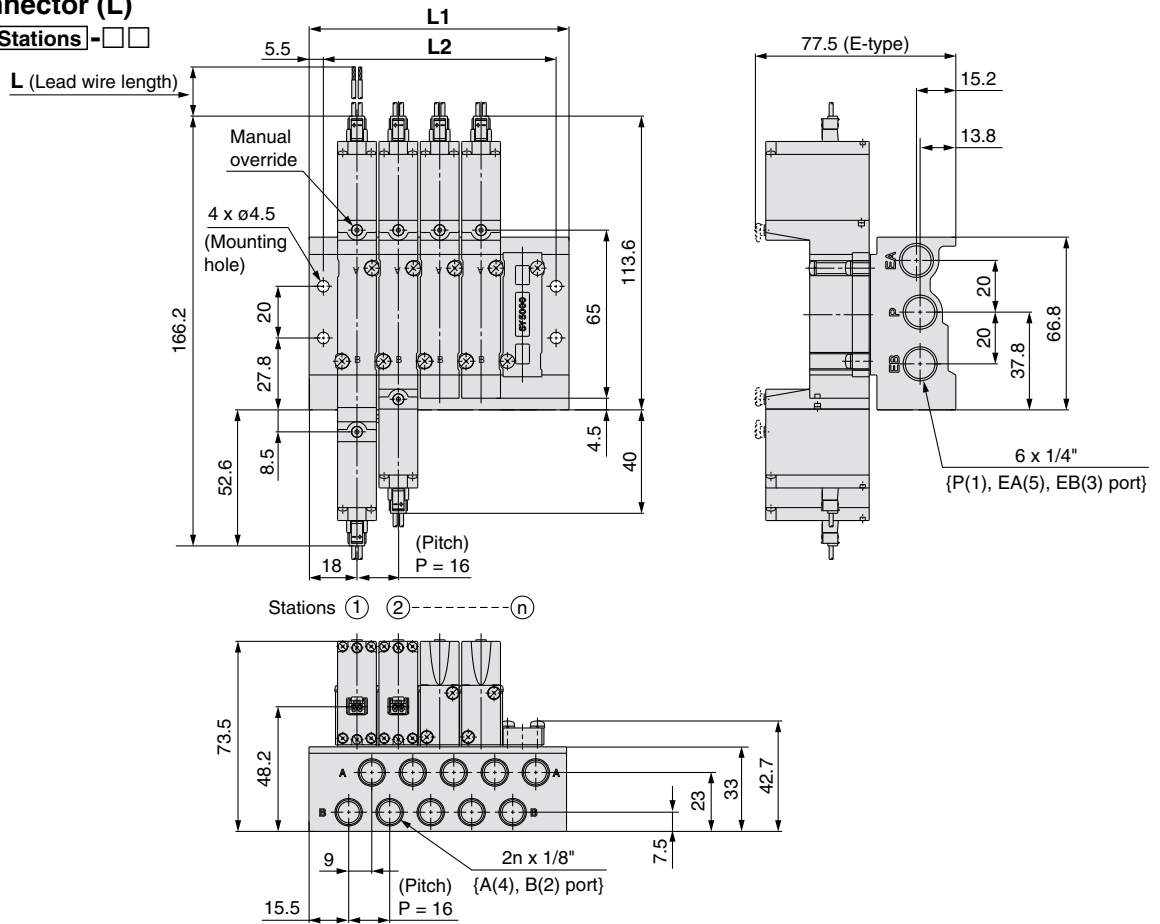
Note) The value is for manifold base with 5 stations and individually operated 2-position type.

## Dimensions: 53-SY5000

(mm)

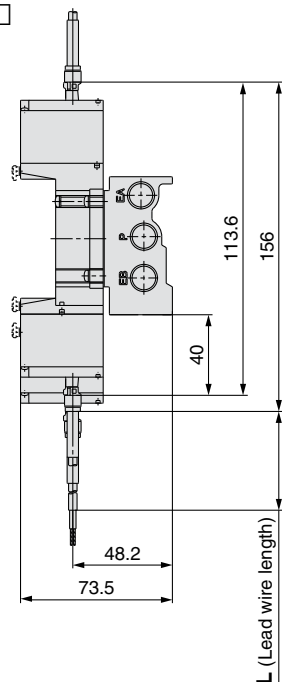
### L-type plug connector (L)

53-SS5Y5-41- Stations -



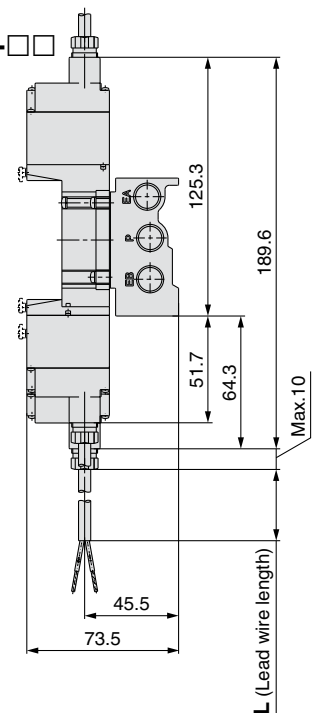
### L-type plug connector with cover (LL)

53-SS5Y5-41- Stations -



### Terminal type (TT)

53-SS5Y5-41- Stations -



Stations n	2 stations	3 stations	4 stations	5 stations	6 stations	7 stations	8 stations	9 stations	10 stations	11 stations	12 stations	13 stations	14 stations	15 stations	16 stations	17 stations	18 stations	19 stations	20 stations
<b>L1</b>	52.5	68.5	84.5	100.5	116.5	132.5	148.5	164.5	180.5	196.5	212.5	228.5	244.5	260.5	276.5	292.5	308.5	324.5	340.5
<b>L2</b>	42	58	74	90	106	122	138	154	170	186	202	218	234	250	266	282	298	314	330

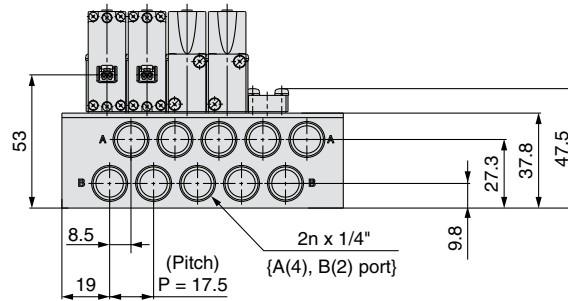
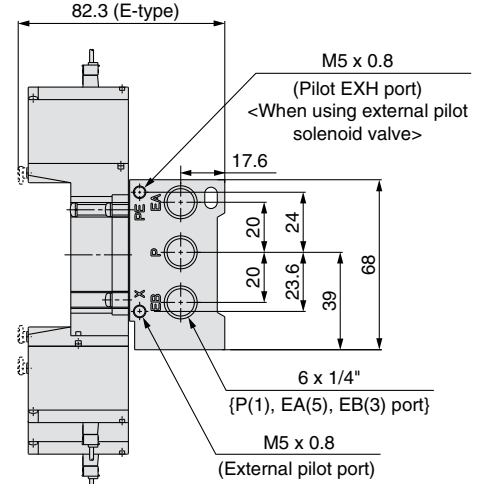
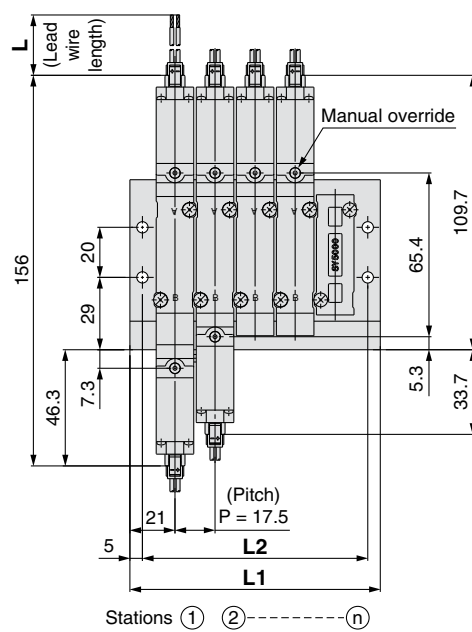
# Series 53-SY5000/7000

## Dimensions: 53-SY5000

(mm)

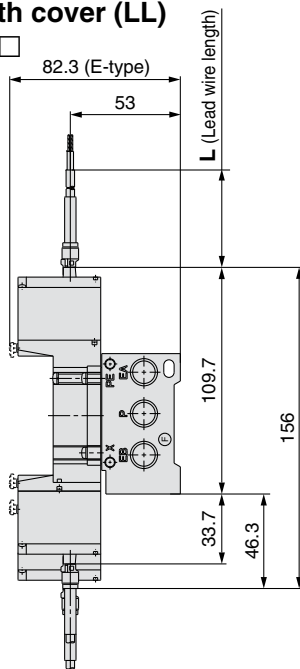
### L-type plug connector (L)

53-SS5Y5-42-Stations - □ □



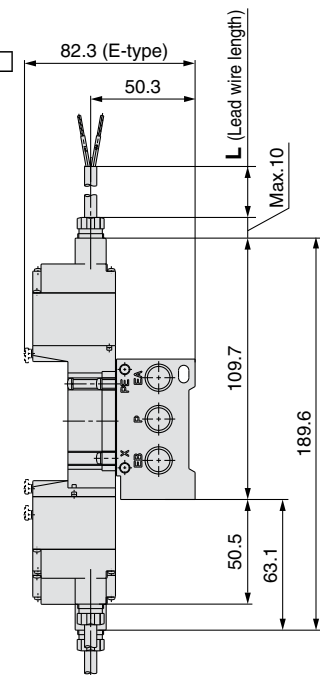
### L-type plug connector with cover (LL)

53-SS5Y5-42-Stations - □ □



### Terminal type (TT)

53-SS5Y5-42-Stations - □ □



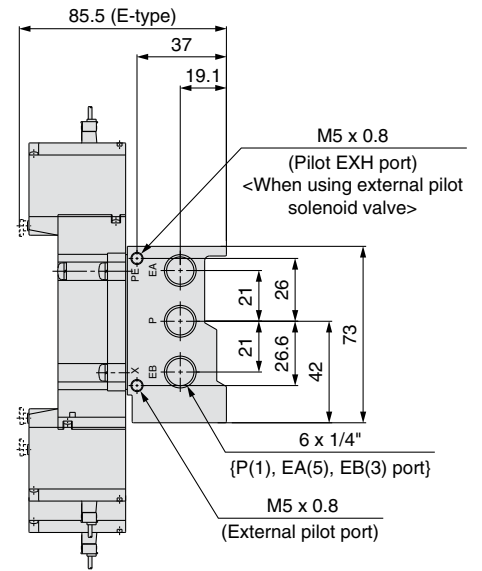
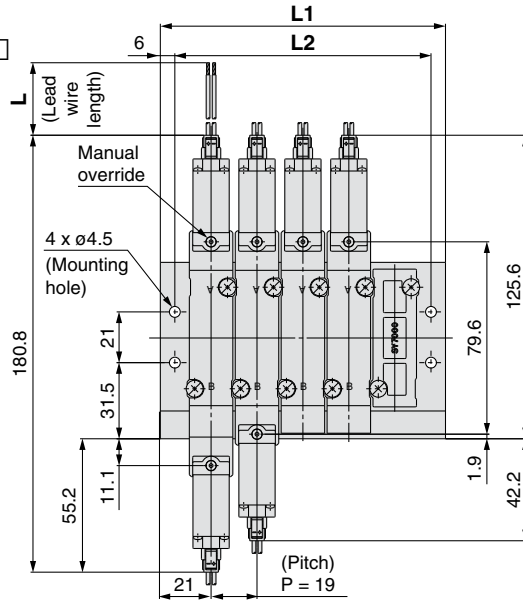
Stations n	2 stations	3 stations	4 stations	5 stations	6 stations	7 stations	8 stations	9 stations	10 stations	11 stations	12 stations	13 stations	14 stations	15 stations	16 stations	17 stations	18 stations	19 stations	20 stations
<b>L1</b>	59.5	77	94.5	112	129.5	147	164.5	182	199.5	217	234.5	252	269.5	287	304.5	322	339.5	357	374.5
<b>L2</b>	49.5	67	84.5	102	119.5	137	154.5	172	189.5	207	224.5	242	259.5	277	294.5	312	329.5	347	364.5

## Dimensions: 53-SY7000

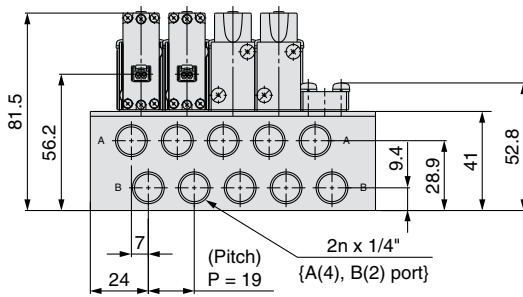
(mm)

### L-type plug connector (L)

53-SS5Y7-42-Stations - □ □

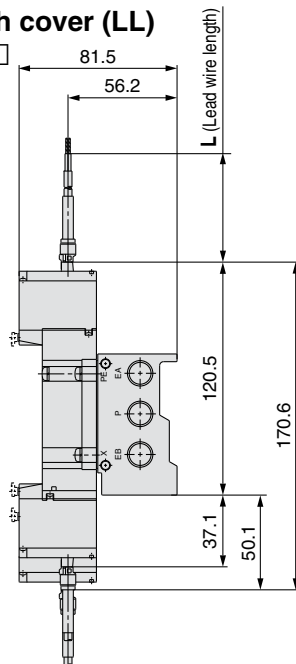


Stations ① ② ----- ③



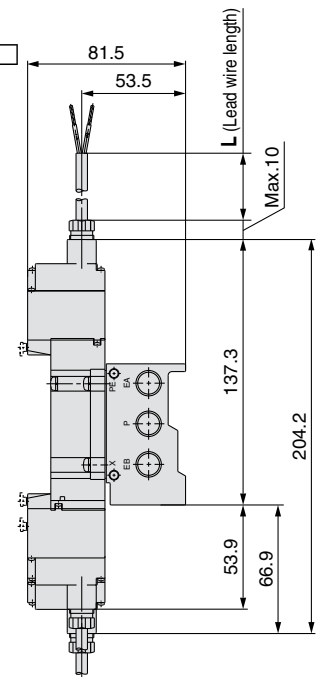
### L-type plug connector with cover (LL)

53-SS5Y7-42-Stations - □ □



### Terminal type (TT)

53-SS5Y7-42-Stations - □ □

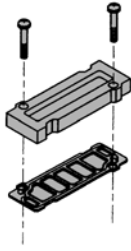


Stations n	2 stations	3 stations	4 stations	5 stations	6 stations	7 stations	8 stations	9 stations	10 stations	11 stations	12 stations	13 stations	14 stations	15 stations	16 stations	17 stations	18 stations	19 stations	20 stations
<b>L1</b>	61	80	99	118	137	156	175	194	213	232	251	270	289	308	327	346	365	384	403
<b>L2</b>	49	68	87	106	125	144	163	182	201	220	239	258	277	296	315	334	353	372	391

# Series 53-SY5000/7000

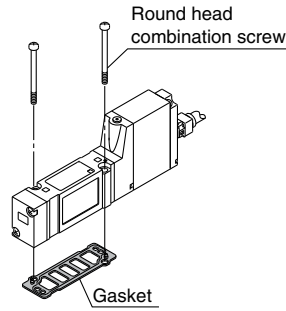
## Manifold Options

### ■ Type 41, 42 Blanking Plate Assembly



Series	Assembly part no.
<b>53-SY5000</b>	SY5000-26-20A
<b>53-SY7000</b>	SY7000-26-22A

### ■ Gasket Assembly Part No.



Series	Gasket assembly
<b>53-SY5000</b>	SY5000-GS-2
<b>53-SY7000</b>	SY7000-GS-2

Note) Gasket assembly consists of 10 sets of mounting screws and gaskets.

### Caution

Mounting screw  
tightening torques

M3: 0.6 lbf·ft (0.8 N·m)

M4: 1.0 lbf·ft (1.4 N·m)

### Warning

When mounting a valve on the manifold base or sub-plate, etc., those mounting directions are predetermined. If mounted in the wrong direction, the equipment to be connected may malfunction. Refer to external dimensions, and then mount it.



# Series 53-SY5000/7000/9000 Specific Product Precautions 1

Be sure to read before handling.

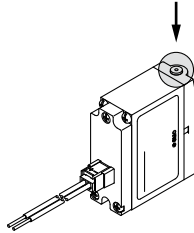
Refer to back cover for Safety Precautions and “Handling Precautions for SMC Products” (M-E03-3) for 3/4/5 Port Solenoid Valves Precautions.

## Manual Override

### Warning

#### ■ Non-locking push type [Standard]

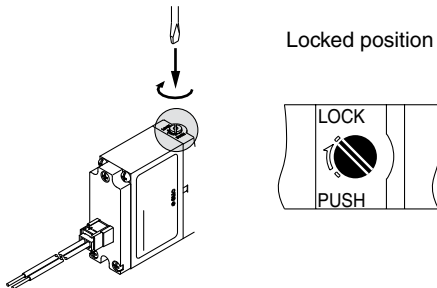
Press in the direction of the arrow.



#### ■ Push-turn locking slotted type [Type D]

While pressing, turn in the direction of the arrow.

If it is not turned, it can be operated the same way as the non-locking type.



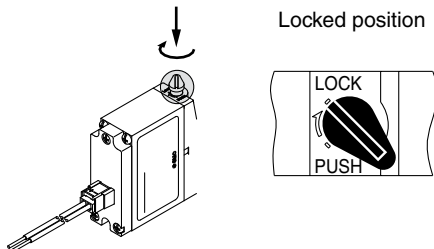
### Caution

When operating the locking type D with a screwdriver, turn it gently using a watchmaker's screwdriver.  
[Torque: Less than 0.073 lbf·ft (0.1 N·m)]

#### ■ Push-turn locking lever type [Type E]

While pressing, turn in the direction of the arrow.

If it is not turned, it can be operated the same way as the non-locking type.



### Caution

When locking the manual override on the push-turn locking types (D, E), be sure to push it down before turning. Turning without first pushing it down can cause damage to the manual override and problems such as air leakage, etc.

## Exhaust Side

### Caution

The 53-SY series pilot valve and main valve share a common exhaust inside the valve. Therefore, do not block the exhaust port when arranging the piping.

## Series 53-SY5000/7000/9000 Used as a 3-Port Valve

### Caution

#### In case of using a 5-port valve as a 3-port valve

The 53-SY5000/7000/9000 series can be used as normally closed (N.C.) or normally open (N.O.) 3-port port valves by closing one of the cylinder ports (A or B) with a plug. However, they should be used with the exhaust ports kept open.

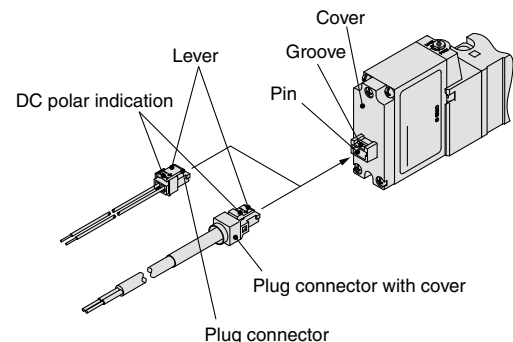
Plug position		B port	A port
Type of actuation		N.C.	N.O.
Number of solenoids	Single	(A)4 2(B)  (EA)5 1 3(EB) (P)	(A)4 2(B)  (EA)5 1 3(EB) (P)
	Double	(A)4 2(B)  (EA)5 1 3(EB) (P)	(A)4 2(B)  (EA)5 1 3(EB) (P)

## How to Use Plug Connector

### Caution

#### 1. Connector attachment/detachment

- To attach a connector, hold the connector between your fingers and insert straight onto the pins of the solenoid valve so that the lever is pushed into the groove and locks.
- To detach a connector, push the lever downward with your thumb, and pull the connector straight out.





# Series 53-SY5000/7000/9000

## Specific Product Precautions 2

Be sure to read before handling.

Refer to back cover for Safety Precautions and “Handling Precautions for SMC Products” (M-E03-3) for 3/4/5 Port Solenoid Valves Precautions.

### One-touch Fittings

#### Warning

1. Please take anti-static precautions appropriate to the use of resin tubing.

#### Caution

The pitch determined for each of the 53-SY series piping ports (P, A, B, etc.) is based on the assumption that KJ series One-touch fittings will be used. For this reason, other pipe fittings may interfere with each other depending on their type and size. Dimensions should be confirmed in a pipe fitting catalog before they are used.

#### • Tubing attachment/detachment for One-touch fittings

##### 1) Tubing attachment

1. Take tubing having no flaws on its periphery and cut it off at a right angle. When cutting the tubing, use tube cutters TK-1, 2 or 3. Do not use pinchers, nippers or scissors, etc. If cutting is done with tools other than tube cutters, the tubing may be cut diagonally or become flattened, etc., making a secure installation impossible, and causing problems such as the tubing pulling out after installation or air leakage. Allow some extra length in the tubing.
2. Grasp the tubing and push it in slowly, inserting it securely all the way into the fitting.
3. After inserting the tubing, pull on it lightly to confirm that it will not come out. If it is not installed securely all the way into the fitting, this can cause problems such as air leakage or the tubing pulling out.

##### 2) Tubing detachment

1. While applying equal pressure when pushing in the collar of the fitting, pull out the tubing. If the collar is not pressed down sufficiently, there will be increased bite on the tubing and it will become more difficult to remove.
2. If the removed tubing is to be used again, cut off the portion which the fitting was attached before reusing. If the tubing is used as is, problems can occur such as air leakage or difficulty in removing the tubing.

### Other Tubing Brands

#### Caution

1. When using other than SMC brand tubing, confirm that the following specifications are satisfied with respect to the tubing outside diameter tolerance.

- |                        |                                       |
|------------------------|---------------------------------------|
| 1) Nylon tubing        | within $\pm 0.1$ mm                   |
| 2) Soft nylon tubing   | within $\pm 0.1$ mm                   |
| 3) Polyurethane tubing | within $+0.15$ mm<br>within $-0.2$ mm |

Do not use tubing that does not meet the above outside diameter tolerances. It may not be possible to connect the tubing and other problems may occur, such as air leakage or the tubing pulling out after being connected.

### Solenoid Valve Mounting

#### Caution

Mount the valve so there is no slippage or deformation in gaskets, and tighten with the tightening torque as shown below.

Model	Thread size	Tightening torque
53-SY5000	M3	0.6 lbf·ft (0.8 N·m)
53-SY7000	M4	1.0 lbf·ft (1.4 N·m)
53-SY9000	M3	0.6 lbf·ft (0.8 N·m)





# Series 53-SY5000/7000/9000 Specific Product Precautions 3

Be sure to read before handling.

Refer to back cover for Safety Precautions and “Handling Precautions for SMC Products” (M-E03-3) for 3/4/5 Port Solenoid Valves Precautions.

## Safety

### 1. General recommendation

These safety instructions are intended to prevent a hazardous situation and/or equipment damage. These instructions indicate the level of potential hazard by label of “Caution”, “Warning” or “Danger”. To ensure safety, be sure to observe ISO 4414 <sup>Note 1)</sup>, JIS B 8370 <sup>Note 2)</sup> and other safety practices.

Note 1) ISO 4414: Pneumatic fluid power – Recommendations for the application of equipment to transmission and control systems.

Note 2) JIS B 8370: Pneumatic system axiom.

**Caution:** **Caution** indicates a hazard with a low level of risk which, if not avoided, could result in minor or moderate injury.

**Warning:** **Warning** indicates a hazard with a medium level of risk which, if not avoided, could result in death or serious injury.

**Danger:** **Danger** indicates a hazard with a high level of risk which, if not avoided, will result in death or serious injury.

### 2. Specific recommendations

#### Warning

- This product enclosure is made of Aluminum alloy. Care must be taken to avoid ignition hazards due to impact or friction.
- The valves within the scope of this document must not be used with plastic manifolds.
- Electrical entry TT is approved for Class I, II, III, Division 1, Groups A, B, C, D, E, F, G. Electrical entry L and LL is approved for Class I, Division 1, Groups A, B, C, D.
- Do not install in Zone 0 (as defined in IEC 60079-10-1:2008) or Zone 20 (as defined in IEC 60079-10-2:2009)**

Zone 0 area classification: An area in which an explosive gas atmosphere is present continuously or for long periods or frequently.

Zone 20 area classification: A place in which an explosive dust atmosphere, in the form of a cloud of dust in air, is present continuously, or for long periods or frequently.

## Installation

#### Warning

- Do not install unless the safety instructions have been read and understood.

### 1. Electrical connection

#### Caution

- When DC power is connected to a solenoid valve equipped with light and/or surge voltage suppressor, check for polarity indications.
- For polarity indications:  
No diode to protect polarity: if polarity connection is wrong, the diode in the valve or switching device at control equipment or power supply may be damaged.  
With diode to protect polarity: if polarity connection is wrong, the valve does not switch.

## Maintenance

#### Warning

- Do not make any modification to the product.
- Substitution of components may impair intrinsic safety.
- To prevent a potential ESD hazard, clean with only a damp cloth.

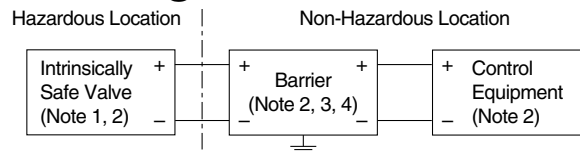
## Limitation of Use

#### Warning

- Do not exceed any of the specifications laid out in the “Installation” section of this document or the specific product catalog.
- Refer to “Specific recommendations” section for additional, product specific information.

## Installation Diagram

#### Warning



- This product must be connected in accordance with the +/- polarity indication.
- This product must be connected to a certified intrinsically safe circuit (e.g. Zener barrier) for apparatus group IIC with the following maximum values:  
 $U_i = 28\text{ V}$     $I_i = 225\text{ mA}$  (resistively limited)  
 $P_i = 1\text{ W}$     $C_i = 0\text{ nF}$     $L_i = 0\text{ mH}$   
 Confirm the solenoid input voltage at the lead wires is 12 VDC 10%.  
 The resistance of the solenoid valve is  $R_{20} + 278\text{ } \Omega$  3% Ohm at 20C.
- Do not bend or pull cables repeatedly.

#### Warning

Note)

- Control equipment connected to the barrier must not use or generate more than 250 V.
- Installation should be in accordance with Canadian Electrical Code or ANSI/ISA RP12.6 “Installation of Intrinsically Safe Systems for Hazardous (Classified) Locations” and the National Electrical Code or ANSI/NFPA 70.
- Barrier manufacturer’s installation drawing must be followed when installing this equipment.
- Multiple barriers are not to be used in parallel unless specifically permitted by the barrier certification.

To insure that intrinsically safe criteria are met, use the below parameters to determine the appropriate barrier.

Note) C<sub>cab</sub> and L<sub>cab</sub> represents the capacitance and inductance of wire added by the consumer from the intrinsically safe equipment to the barrier. C<sub>cab</sub> and L<sub>cab</sub> values must be used in the system calculations.


I.S. Equipment		Barrier
$U_i$	$\geq$	$U_o$ (or Voc)
$I_i$	$\geq$	$I_o$ (or Isc)
$P_i$	$\geq$	$P_o$
$C_i + C_{cab}$	$\leq$	$C_o$ (or Ca)
$L_i + L_{cab}$	$\leq$	$L_o$ (La)


If the cable capacitance and inductance are unknown, use the following values: C<sub>cab</sub> = 60 pF/ft., L<sub>cab</sub> = 0.2 μH/ft.


If the barrier P<sub>o</sub> is unknown, it may be calculated using the formula  $P_o = (U_o \times I_o)/4$  or  $(Voc \times Isc)/4$ .

## Safety Precautions

These Safety Precautions are intended to prevent hazardous situations and/or equipment damage. These instructions indicate the level of potential hazard with the labels of “**Caution**,” “**Warning**” or “**Danger**.” They are all important notes for safety and must be followed in addition to International Standards (ISO/IEC)\*1), and other safety regulations.

 **Caution:** **Caution** indicates a hazard with a low level of risk which, if not avoided, could result in minor or moderate injury.

 **Warning:** **Warning** indicates a hazard with a medium level of risk which, if not avoided, could result in death or serious injury.

 **Danger:** **Danger** indicates a hazard with a high level of risk which, if not avoided, will result in death or serious injury.

\*1) ISO 4414: Pneumatic fluid power – General rules relating to systems.  
ISO 4413: Hydraulic fluid power – General rules relating to systems.  
IEC 60204-1: Safety of machinery – Electrical equipment of machines.  
(Part 1: General requirements)  
ISO 10218-1: Manipulating industrial robots – Safety.  
etc.

### Warning

#### 1. The compatibility of the product is the responsibility of the person who designs the equipment or decides its specifications.

Since the product specified here is used under various operating conditions, its compatibility with specific equipment must be decided by the person who designs the equipment or decides its specifications based on necessary analysis and test results. The expected performance and safety assurance of the equipment will be the responsibility of the person who has determined its compatibility with the product. This person should also continuously review all specifications of the product referring to its latest catalog information, with a view to giving due consideration to any possibility of equipment failure when configuring the equipment.

#### 2. Only personnel with appropriate training should operate machinery and equipment.

The product specified here may become unsafe if handled incorrectly. The assembly, operation and maintenance of machines or equipment including our products must be performed by an operator who is appropriately trained and experienced.

#### 3. Do not service or attempt to remove product and machinery/equipment until safety is confirmed.

1. The inspection and maintenance of machinery/equipment should only be performed after measures to prevent falling or runaway of the driven objects have been confirmed.
2. When the product is to be removed, confirm that the safety measures as mentioned above are implemented and the power from any appropriate source is cut, and read and understand the specific product precautions of all relevant products carefully.
3. Before machinery/equipment is restarted, take measures to prevent unexpected operation and malfunction.

#### 4. Contact SMC beforehand and take special consideration of safety measures if the product is to be used in any of the following conditions.

1. Conditions and environments outside of the given specifications, or use outdoors or in a place exposed to direct sunlight.
2. Installation on equipment in conjunction with atomic energy, railways, air navigation, space, shipping, vehicles, military, medical treatment, combustion and recreation, or equipment in contact with food and beverages, emergency stop circuits, clutch and brake circuits in press applications, safety equipment or other applications unsuitable for the standard specifications described in the product catalog.
3. An application which could have negative effects on people, property, or animals requiring special safety analysis.
4. Use in an interlock circuit, which requires the provision of double interlock for possible failure by using a mechanical protective function, and periodical checks to confirm proper operation.

### Caution

#### 1. The product is provided for use in manufacturing industries.

The product herein described is basically provided for peaceful use in manufacturing industries.  
If considering using the product in other industries, consult SMC beforehand and exchange specifications or a contract if necessary.  
If anything is unclear, contact your nearest sales branch.

## Limited Warranty and Disclaimer/ Compliance Requirements

The product used is subject to the following “Limited Warranty and Disclaimer” and “Compliance Requirements”.  
Read and accept them before using the product.

### Limited Warranty and Disclaimer

1. The warranty period of the product is 1 year in service or 1.5 years after the product is delivered, whichever is first.\*2)  
Also, the product may have specified durability, running distance or replacement parts. Please consult your nearest sales branch.
2. For any failure or damage reported within the warranty period which is clearly our responsibility, a replacement product or necessary parts will be provided. This limited warranty applies only to our product independently, and not to any other damage incurred due to the failure of the product.
3. Prior to using SMC products, please read and understand the warranty terms and disclaimers noted in the specified catalog for the particular products.

\*2) **Vacuum pads are excluded from this 1 year warranty.**

A vacuum pad is a consumable part, so it is warranted for a year after it is delivered. Also, even within the warranty period, the wear of a product due to the use of the vacuum pad or failure due to the deterioration of rubber material are not covered by the limited warranty.

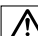
### Compliance Requirements

1. The use of SMC products with production equipment for the manufacture of weapons of mass destruction (WMD) or any other weapon is strictly prohibited.
2. The exports of SMC products or technology from one country to another are governed by the relevant security laws and regulations of the countries involved in the transaction. Prior to the shipment of a SMC product to another country, assure that all local rules governing that export are known and followed.

### Caution

#### SMC products are not intended for use as instruments for legal metrology.

Measurement instruments that SMC manufactures or sells have not been qualified by type approval tests relevant to the metrology (measurement) laws of each country. Therefore, SMC products cannot be used for business or certification ordained by the metrology (measurement) laws of each country.

 **Safety Precautions** Be sure to read “Handling Precautions for SMC Products” (M-E03-3) before using.



# Global Manufacturing, Distribution and Service Network

## Worldwide Subsidiaries

### EUROPE

**AUSTRIA**  
SMC Pneumatik GmbH (Austria)

**BELGIUM**  
SMC Pneumatics N.V./S.A.

**BULGARIA**  
SMC Industrial Automation Bulgaria EOOD

**CROATIA**  
SMC Industrijska Automatika d.o.o.

**CZECH REPUBLIC**  
SMC Industrial Automation CZ s.r.o.

**DENMARK**  
SMC Pneumatik A/S

**ESTONIA**  
SMC Pneumatics Estonia

**FINLAND**  
SMC Pneumatics Finland OY

**FRANCE**  
SMC Pneumatique S.A.

**GERMANY**  
SMC Pneumatik GmbH

**GREECE**  
SMC Hellas EPE

**HUNGARY**  
SMC Hungary Ipari Automatiz3l3si Kft.

**IRELAND**  
SMC Pneumatics (Ireland) Ltd.

**ITALY**  
SMC Italia S.p.A.

**KAZAKHSTAN**  
LLP "SMC Kazakhstan"

**LATVIA**  
SMC Pneumatics Latvia SIA

**LITHUANIA**  
UAB "SMC Pneumatics"

**NETHERLANDS**  
SMC Pneumatics B.V.

**NORWAY**  
SMC Pneumatics Norway AS

**POLAND**  
SMC Industrial Automation Polska Sp. z o.o.

**ROMANIA**  
SMC Romania S.r.l.

**RUSSIA**  
SMC Pneumatik LLC.

**SLOVAKIA**  
SMC Priemyselná Automatizácia, Spol s.r.o.

**SLOVENIA**  
SMC Industrijska Avtomatika d.o.o.

**SPAIN / PORTUGAL**  
SMC España, S.A.

**SWEDEN**  
SMC Pneumatics Sweden AB

**SWITZERLAND**  
SMC Pneumatik AG

**TURKEY**  
SMC Pnömatik Sanayi Ticaret ve Servis A.Ş.

**UK**  
SMC Pneumatics (U.K.) Ltd.

### ASIA / OCEANIA

**AUSTRALIA**  
SMC Pneumatics (Australia) Pty. Ltd.

**CHINA**  
SMC (China) Co., Ltd.  
SMC Pneumatics (Guangzhou) Ltd.

**HONG KONG**  
SMC Pneumatics (Hong kong) Ltd.

**INDIA**  
SMC Pneumatics (India) Pvt. Ltd.

**INDONESIA**  
PT. SMC Pneumatics Indonesia

**JAPAN**  
SMC Corporation

**MALAYSIA**  
SMC Pneumatics (S.E.A.) Sdn. Bhd.

**NEW ZEALAND**  
SMC Pneumatics (N.Z.) Ltd.

**PHILIPPINES**  
Shoketsu SMC Corporation

**SINGAPORE**  
SMC Pneumatics (S.E.A.) Pte. Ltd.

**SOUTH KOREA**  
SMC Pneumatics Korea Co., Ltd.

**TAIWAN**  
SMC Pneumatics (Taiwan) Co., Ltd.

**THAILAND**  
SMC (Thailand) Ltd.

**UNITED ARAB EMIRATES**  
SMC Pneumatics Middle East FZE

**VIETNAM**  
SMC Pneumatics (VN) Co., Ltd

### AFRICA

**SOUTH AFRICA**  
SMC Pneumatics (South Africa) Pty Ltd

### NORTH, CENTRAL & SOUTH AMERICA

**ARGENTINA**  
SMC Argentina S.A.

**BOLIVIA**  
SMC Pneumatics Bolivia S.R.L.

**BRAZIL**  
SMC Pneum3ticos do Brasil Ltda.

**CANADA**  
SMC Pneumatics (Canada) Ltd.

**CHILE**  
SMC Pneumatics (Chile) S.A.

**COLOMBIA**  
SMC Colombia Sucursal de SMC Chile, S.A.

**MEXICO**  
SMC Corporation (Mexico) S.A. de C.V.

**PERU**  
SMC Corporation Peru S.A.C.

**USA**  
SMC Corporation of America

**VENEZUELA**  
SMC Neumatica Venezuela S.A.

## U.S. & Canadian Sales Offices

### WEST

Austin  
Dallas  
Denver  
El Paso  
Los Angeles  
Phoenix  
Portland  
San Jose

### EAST




Albany  
Atlanta  
Birmingham  
Boston  
Charlotte  
Knoxville  
Nashville  
New Jersey  
Rochester  
Tampa

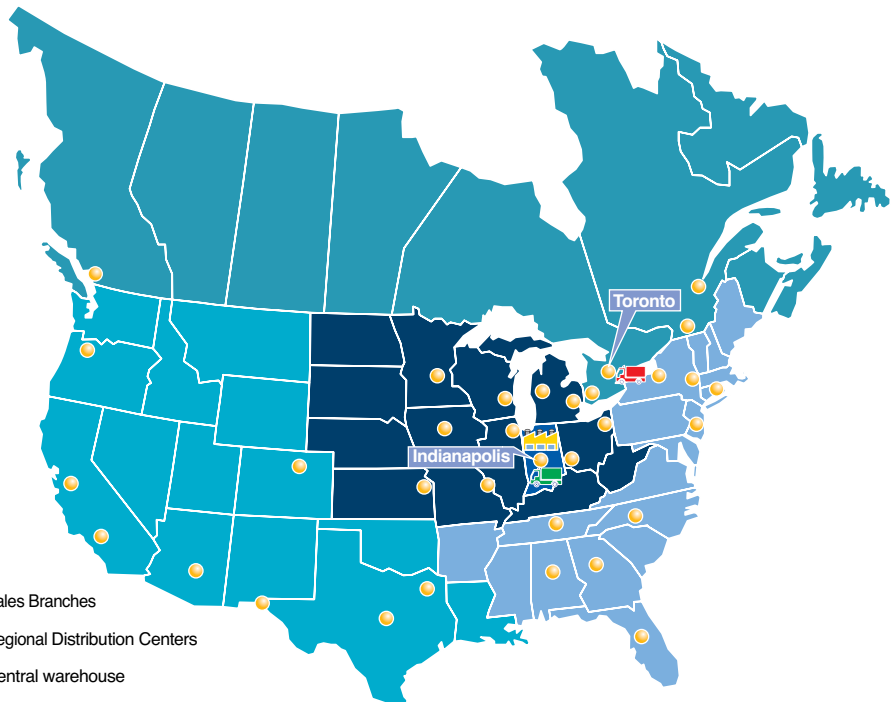
### CENTRAL

Chicago  
Cincinnati  
Cleveland  
Detroit  
Des Moines  
Grand Rapids  
Indianapolis  
Kansas City  
Milwaukee  
Minneapolis  
St. Louis

### CANADA

Vancouver  
Toronto  
Windsor  
Montreal  
Quebec City

 Sales Branches  
 Regional Distribution Centers  
 Central warehouse



o o o o



r s s s r s