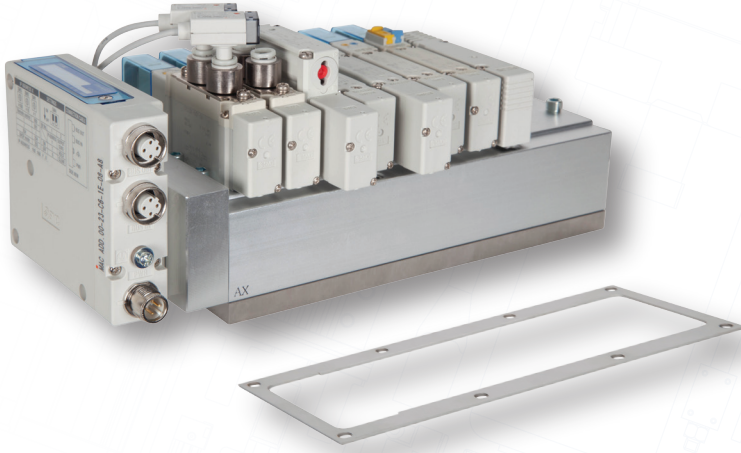
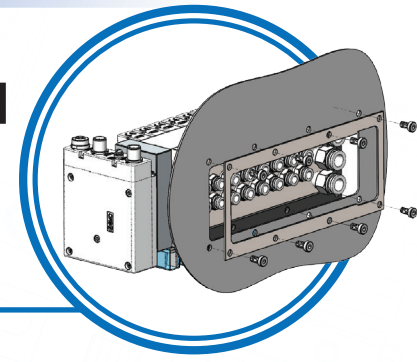




Automation - Controls - Process

Panel Mounted Valve Manifold

SS5Y5-51*-X1120



- IP66 rated
- UL50e Nema 4X certification
- Double wired up to 16 stations
- Available from 4 stations up to 24 stations

- Manifold can be placed within an enclosure in order to be used in environments requiring regular washdown
- Fittings & bottom gasket must be ordered separately
- Valves must be ordered separately, please refer to SY Cat.ES11-103E
- Valves are easy to remove from the manifold for repair or replacement
- SUS 304 Stainless steel bottom plate
- NPT Ports (G thread special order)

How to Order

SS5Y5-51 - U-01 -X1120

①
②
③
④
⑤
⑥

① Connector or SI Unit

SØ	w/o SI Unit
SEAN	SI Unit (EX260-SEN1)
F	D-Sub Connector

⑤ SUS Plate

NIL	w/o Stainless Plate
S	with Stainless Plate

② Valve Stations

04	4 Stations
06	6 Stations
08	8 Stations
12	12 Stations
16	16 Stations ^{*1}
20	20 Stations ^{*2}
24	24 Stations ^{*2}

^{*1}: All single wiring for D-sub(F)

^{*2}: All single wiring for SI Unit (SEAN) & D-Sub(F) & w/o SI Unit (so)

③ Port Size

01	1/8"
-----------	------

⑥ Trim Plate

NIL	w/o Trim Plate
P	w Trim Plate (attachment)

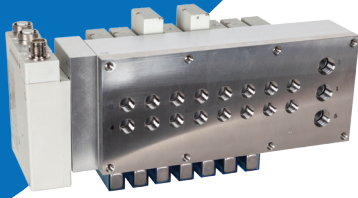
④ Thread Type (Only Port Size "01")

NIL	RC
F	G
N	NPT
T	NPTF

SY-X1120 Series

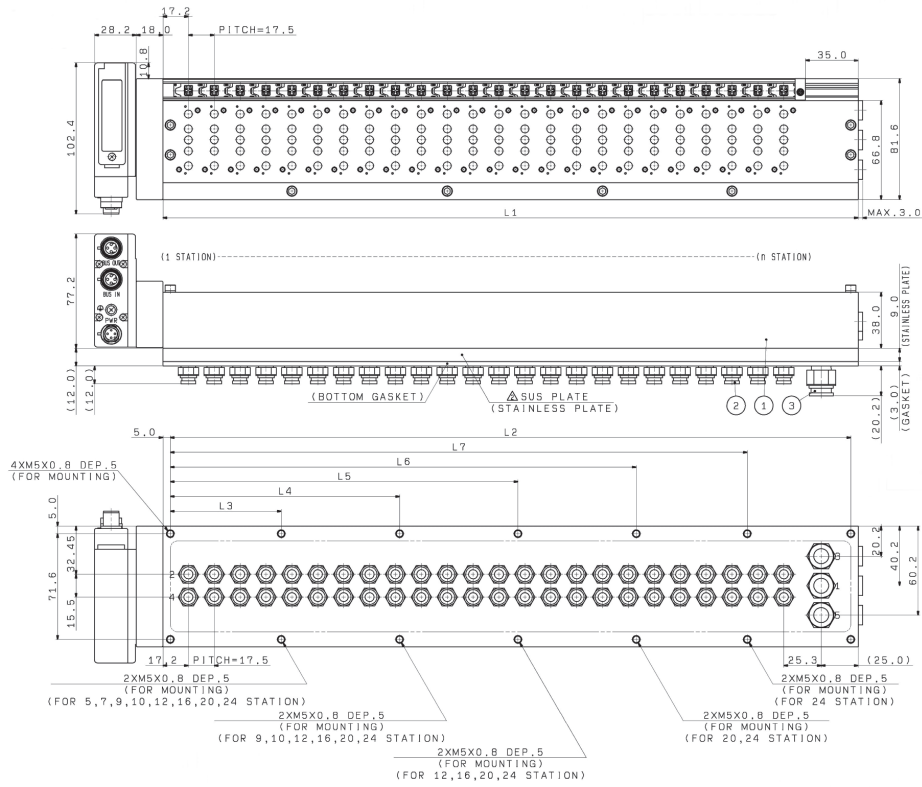
www.smcusa.com

NF543A



Panel Mounted Valve Manifold

SY-X1120 Series



Dimensions

mm

Number of Stations		4	8	12	16	20	24
Dimensions	L1	120	190	260	330	400	470
	L2	110	180	250	320	390	460
	L3	-	55	65	75	75	75
	L4	-	120	125	155	155	155
	L5	-	-	185	240	235	235
	L6	-	-	-	-	315	315
	L7	-	-	-	-	-	390

Accessories

Bottom Gasket	SY50M-90-16- <input type="checkbox"/>
Trim Plate	SY50M-191-1- <input type="checkbox"/>
SUS Plate	SY50M-179-3- <input type="checkbox"/>

Valve Stations

04	4 Stations
06	6 Stations
08	8 Stations
12	12 Stations
16	16 Stations
20	20 Stations
24	24 Stations



© 2023 SMC Corporation of America, All Rights Reserved.

All reasonable efforts to ensure the accuracy of the information detailed in this catalog were made at the time of publishing. However, SMC can in no way warrant the information herein contained as specifications are subject to change without notice.

BU PP 1M