



# Magnet Gripper for Collaborative Robots

Compliant with the TM Series  
**OMRON Corporation**  
collaborative robot and the TM Series  
**TECHMAN ROBOT Inc.**  
collaborative robot

**Plug and Play**  
configuration for immediate use

**TMComponent** Easy programming

**TMPlug&Play**  
CERTIFIED



## MHM-X7400A-TM



More information  
can be viewed here.

P-E20-32

# Plug and Play

## Magnet Gripper for Collaborative Robots

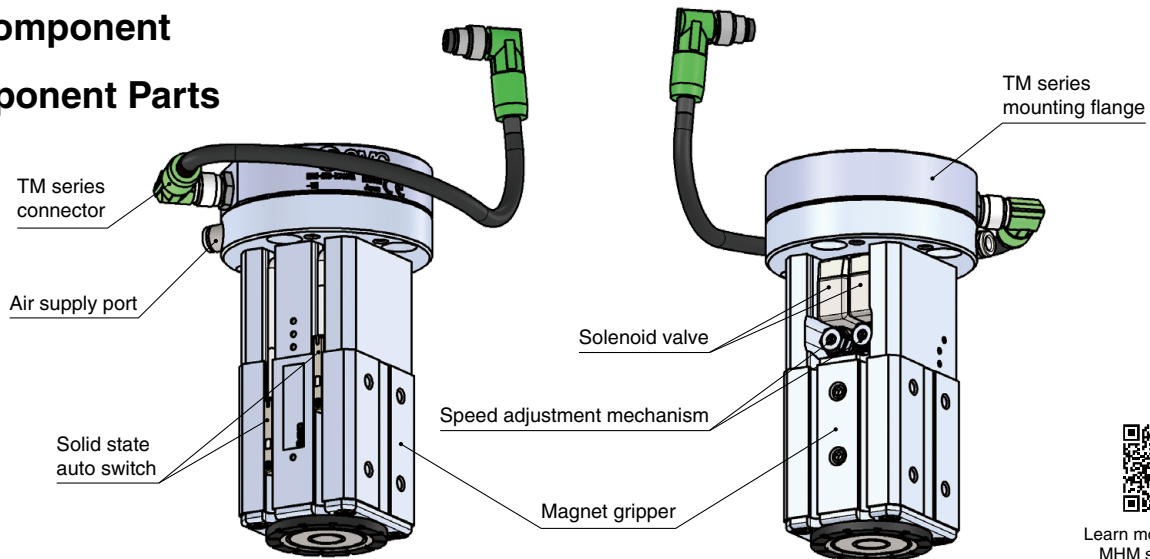
OMRON Corporation and TECHMAN ROBOT Inc.

TM5, TM12, and TM14 compliant



- Attracts and holds heavy objects with a magnet
- Supports workpieces with holes and uneven surfaces
- Compact with high holding force
  - | Holding force: Max. **200 N** (ø25, Workpiece thickness 6 mm)
- Continues to hold workpieces even when the air is shut off
- Operate by simply connecting 1 air supply tube and an electrical wiring M8 connector.
- Integrated solenoid valve, auto switch, and piston speed adjustment mechanism
- TMComponent

### Component Parts



Learn more about the MHM series here.

### How to Order



**MHM-25D-X7400A-TM**

### Specifications

Fluid	Air	
Action	Double acting	
Operating pressure [MPa]	0.2 to 0.6	
Proof pressure [MPa]	0.9	
Ambient and fluid temperatures [°C]	-10 to 50 (No freezing)	
Holding force [N]	Workpiece thickness: 2 mm	160
	Workpiece thickness: 6 mm	200
Residual holding force [N]	0.3 or less	
Lubrication	Non-lube	
Weight [g]	590	
Standards	ISO 9409-1-50-4-M6	
Auto switch model	D-M9N	
Connector type	M8 8-pin connector (Plug)	

■ **Included parts:** Mounting bolt, Positioning pin, Piping tube (ø4 x 2 m), Piping fittings (1 type)

## Characteristics



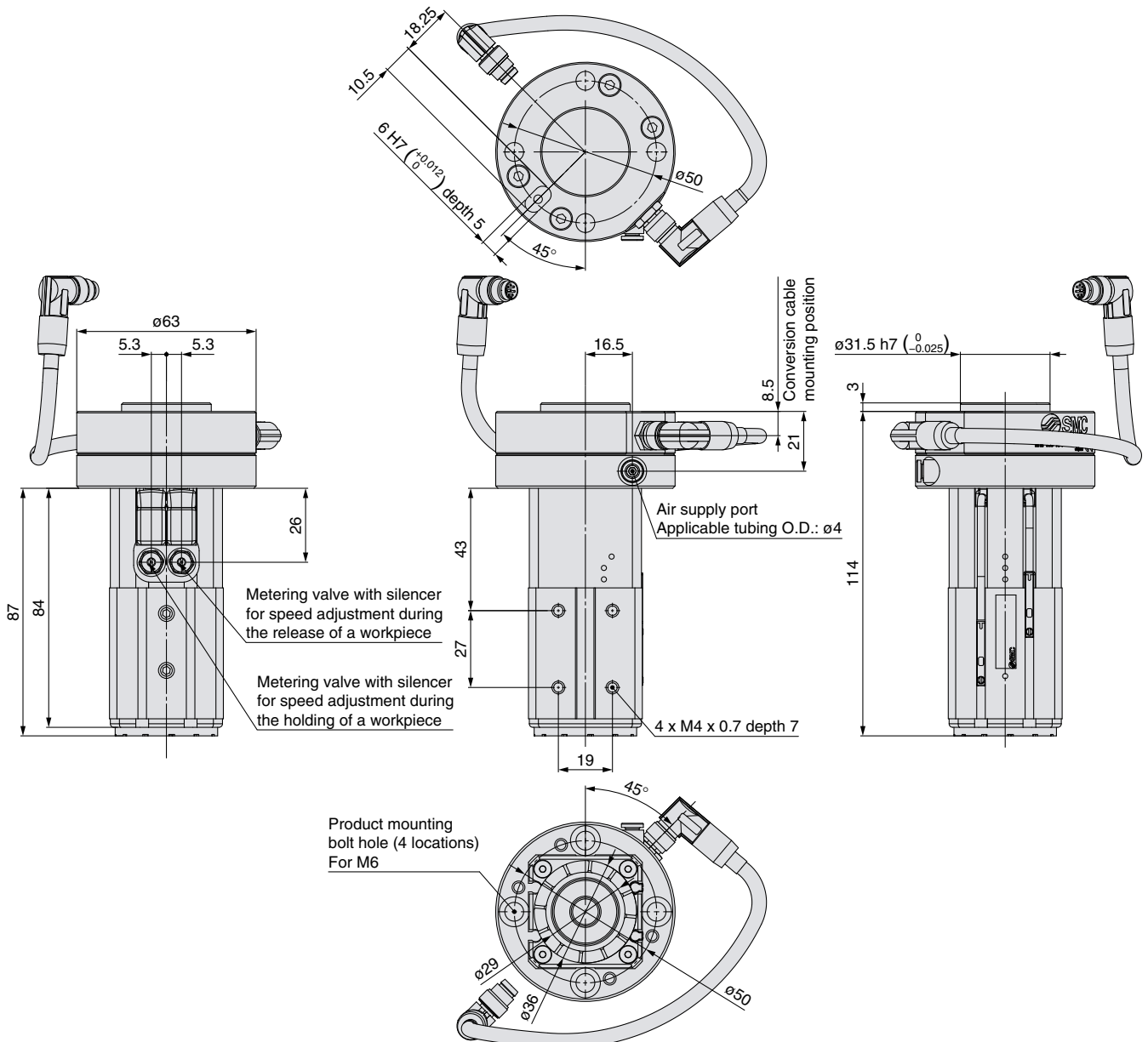
### Holding force

The holding force graph shows the theoretical value for low-carbon steel plates. Holding forces vary depending on the material and shape of the workpiece. Please perform a holding test while referring to the value selected based on the graph.

#### MHM-25



## Dimensions

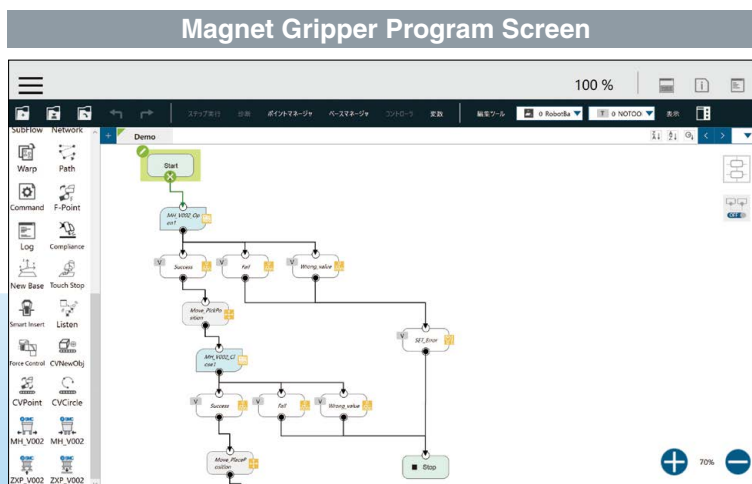
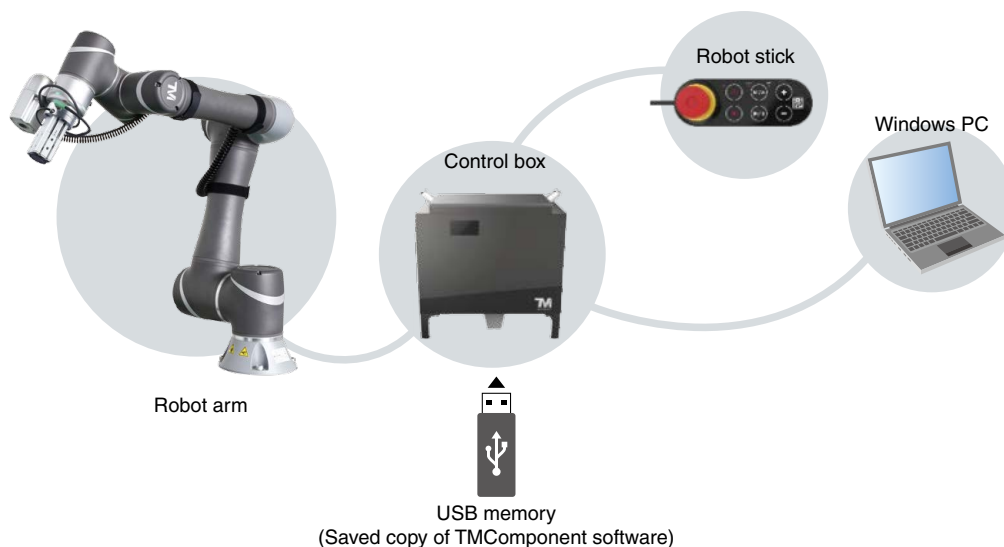




## Easy programming

Using the certified software TMComponent of OMRON Corporation and TECHMAN ROBOT Inc., various operations and sensor signals can be easily programmed by using a control box equipped with the dedicated software tool “TMflow” or by using graphical flowcharts on a Windows computer. You can easily install the software by inserting a USB with the TMComponent software package into a control box or Windows computer.

\* Please download the TMComponent software package from the SMC website, and save it to a USB memory.



**⚠ Safety Instructions** Be sure to read the “Handling Precautions for SMC Products” (M-E03-3) and “Operation Manual” before use.