



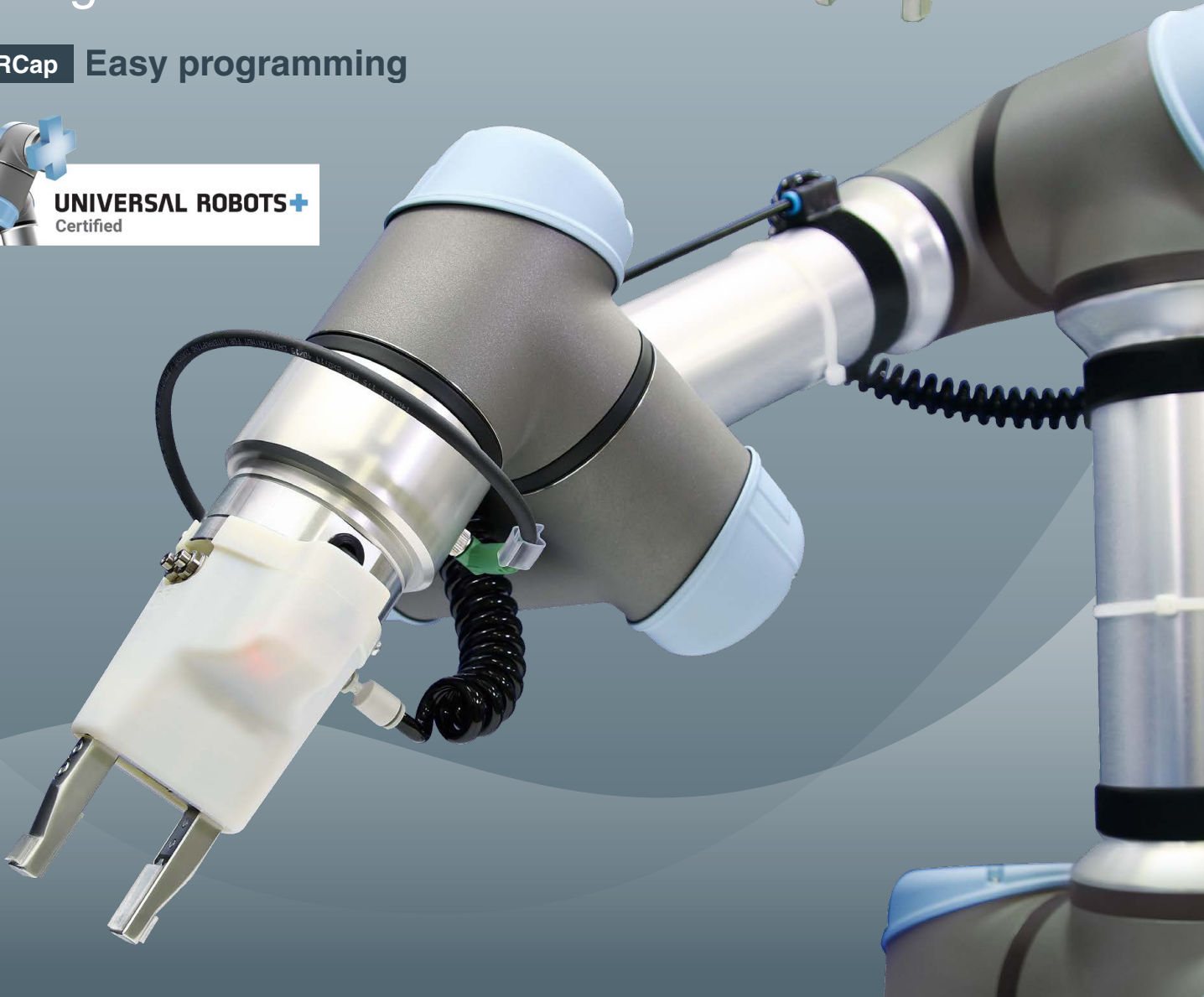
Air Gripper Unit for Collaborative Robots

Plug and Play
configuration for immediate use

URCap Easy programming



UNIVERSAL ROBOTS+
Certified



JMHZ2-X7400B

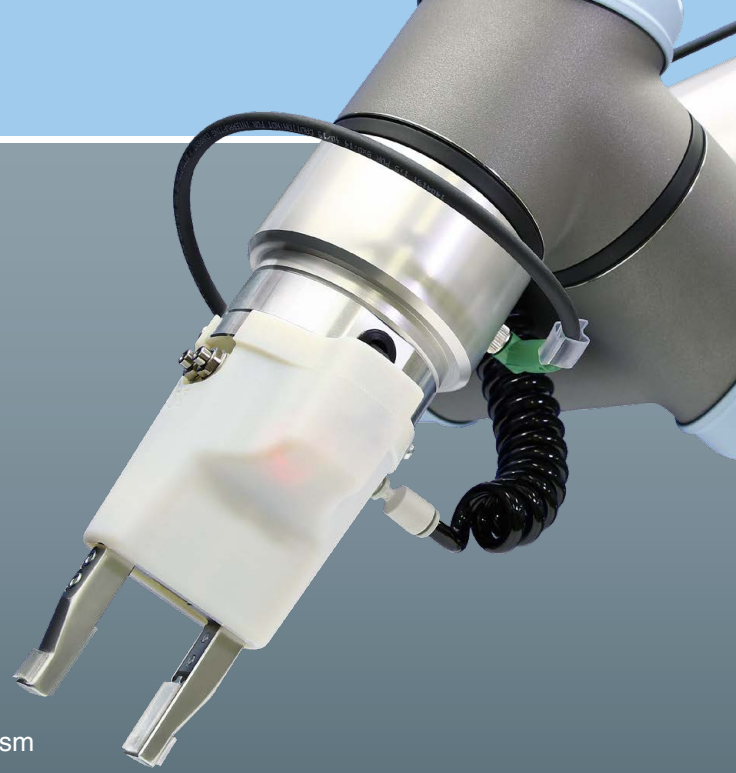
Air Gripper Unit for Collaborative Robots

For use with: UR3(e), UR5(e), UR10(e), UR16e

Plug and Play

Compact, lightweight product with high gripping force due to air operation
Operate by simply connecting 1 air supply tube and an electrical wiring M8 connector.

- Integrated solenoid valve and speed adjustment mechanism
- Standards: ISO9409-1-50-4-M6
- URCap (Refer to the back cover)



Standards
ISO9409-1-50-4-M6



Specifications

Bore size [mm]	16	
Fluid	Air	
Operating pressure [MPa]	0.1 to 0.7	
Repeatability [mm]	±0.01	
Action	Double acting	
Gripping force Effective value per finger [N]	External	32.7
	Internal	43.5
Opening/Closing (Both sides) [mm]	10	
Weight [g]	430	
Standards	ISO9409-1-50-4-M6	
Connector type	M8 8 pins (Female)	

How to Order

JMHZ 2-16 D-X7400 B

Number of fingers
2 2

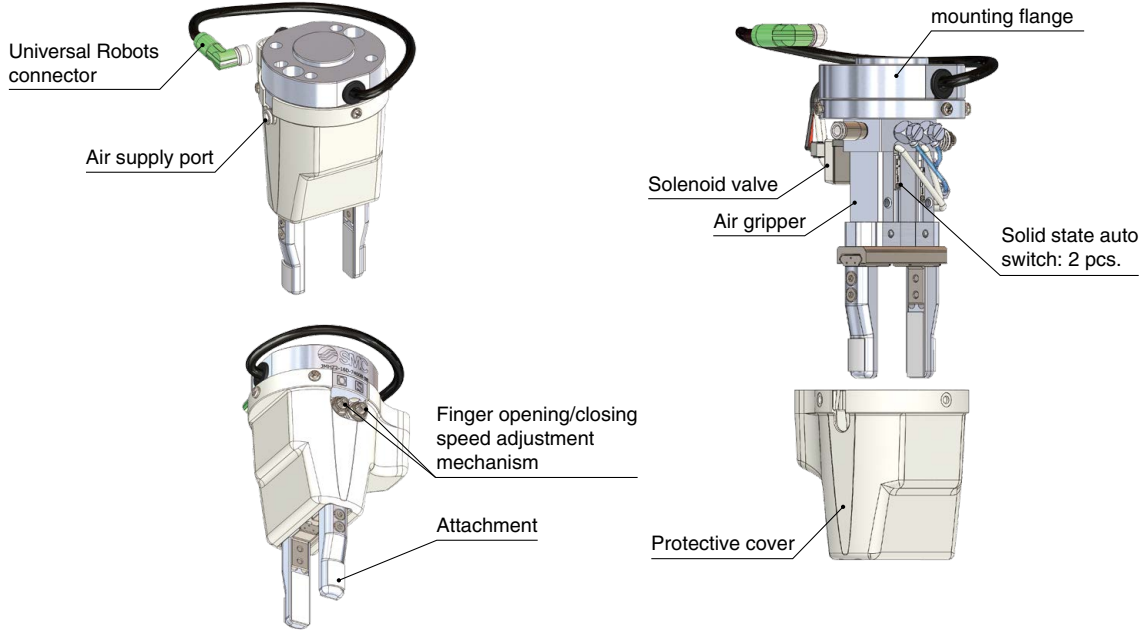
Bore size
16 16 mm

Action
D Double acting

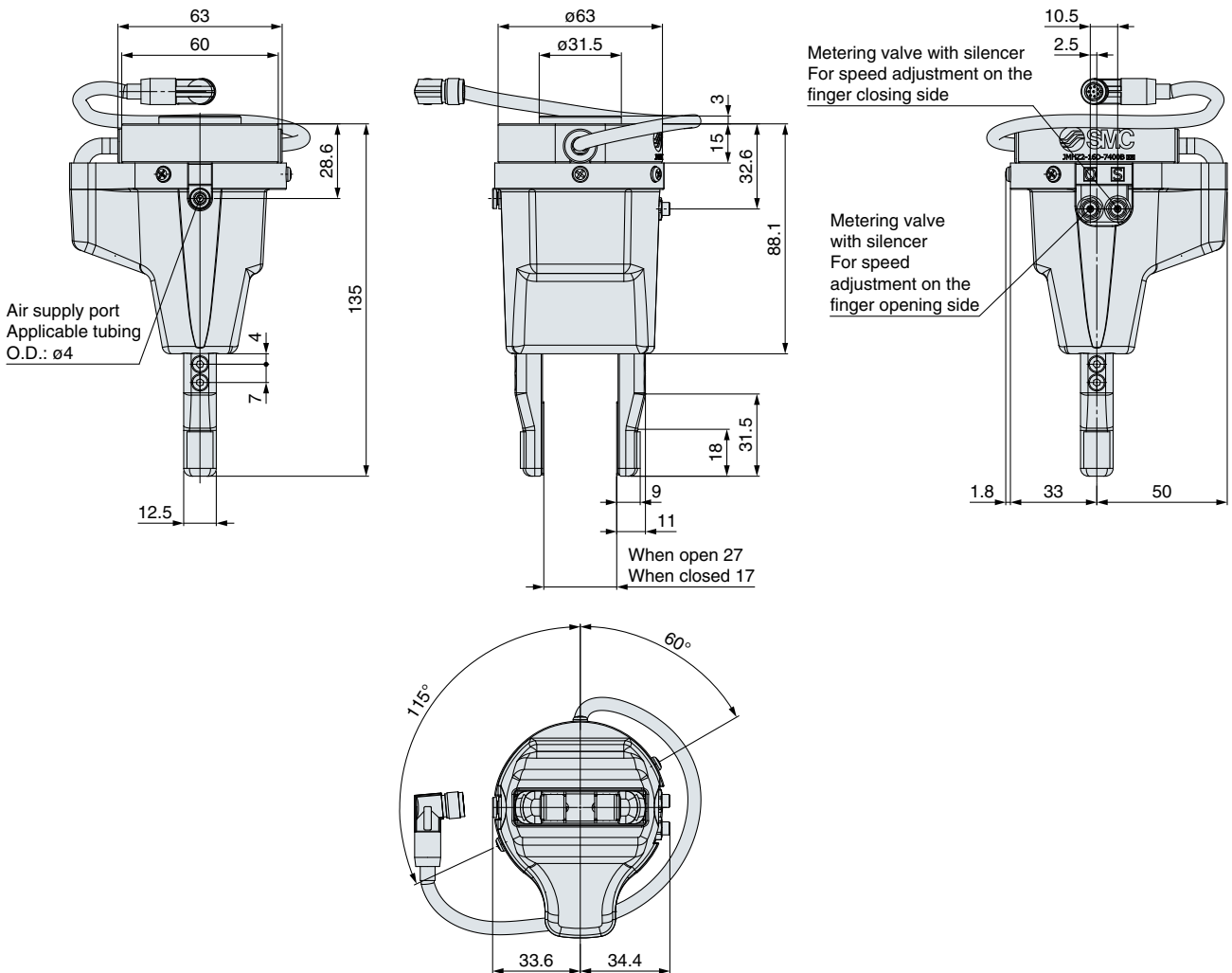
Protective cover
B With protective cover

RoHS

Parts Descriptions



Dimensions



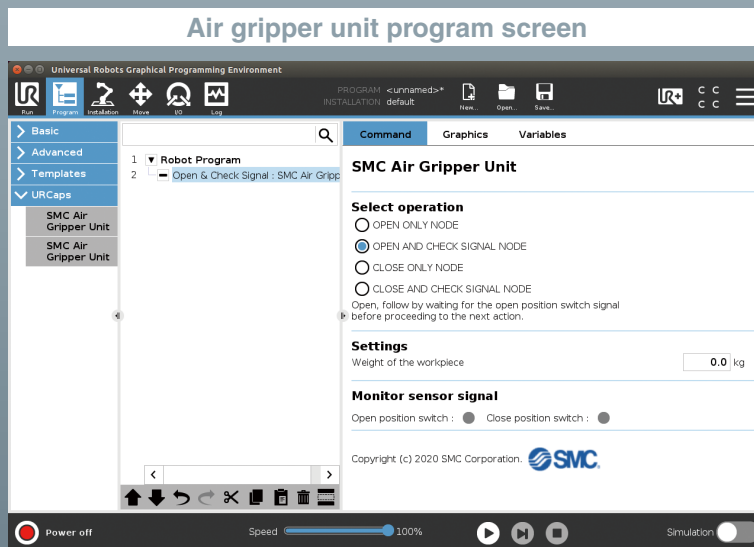
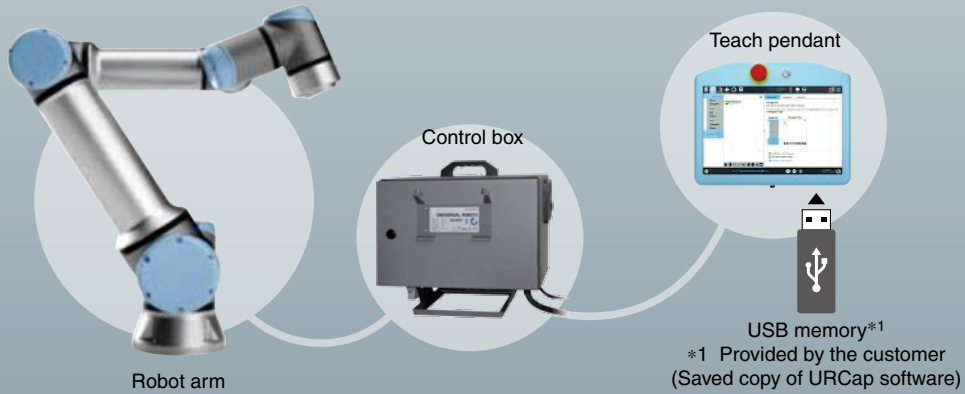
URCap

Easy programming

By using the dedicated software certified for universal robots, URCap, the teaching pendant can conduct various operations intuitively, allowing for sensor signals to be easily incorporated.

Save a copy of the URCap software to a USB memory and insert it into the teaching pendant to easily install the software.

* Please download the URCap software from the website, and save it to a USB memory.



⚠ Safety Instructions Be sure to read the "Handling Precautions for SMC Products" (M-E03-3) and "Operation Manual" before use.