



Padmount Solenoid Valve with NAMUR Interface

1/4 Turn Actuation for Process Applications

VFN Series: Conforming to NAMUR Standards



VFN200N/VFN2000N

3 way (3/2) and 4 way (5/2)



VFN2120N-X36

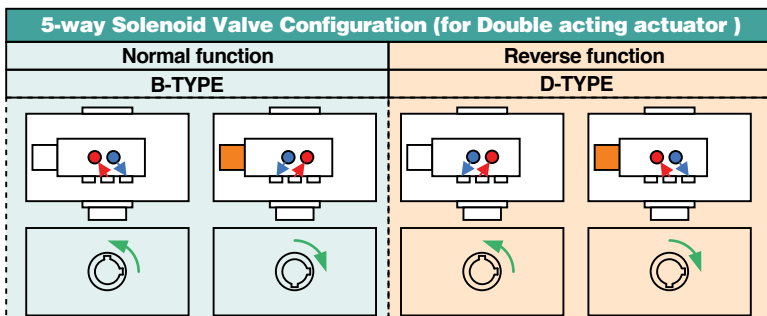
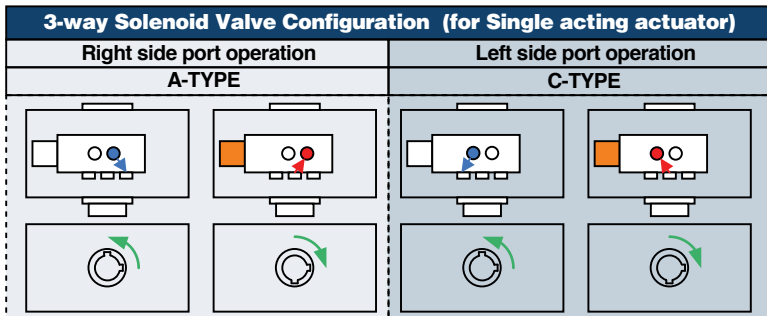
-X36 Horizontal M12 Electrical Connection

VFN2120N -X36 Hygienic Type Specifications

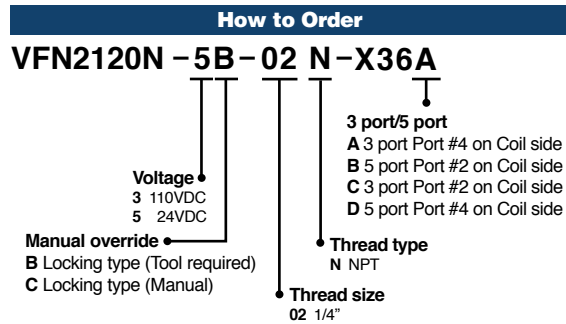
Valve Specifications	
Fluid	Air
Operating Pressure	22 to 131 psi (0.15 to 0.9 MPa)
Ambient & Fluid Temperature	14 to 140°F (-10 to 60°C)
Lubrication	Not required
Manual Override	Push Type/locking Type (tool required) Locking Type (manual)
Enclosure	Equivalent to IP67
Thread Port Size	1/4" NPT
Flow Characteristics (Cv)	0.8

Electrical Specifications	
Rated Voltage	24VDC
Allowable Voltage Fluctuation	-15 to +10% of
Coil Type	Class B
Power Consumption	0.5 W
Electrical Connector	Standard M12 (5-pin)
Body Material	Resin
Metal Parts/Hardware	Stainless Steel

Speed Control Kit Available ATX842-DA000334



Note : Direction of rotary actuator may be different from the picture, it depends on the manufacturer of rotary actuator.



Valve Specifications	
Fluid	Air or inert gas
Working pressure range	21.8psi to 130psi (0.15 to 0.9 MPa)
Ambient & Fluid Temperature	14°F to 140°F (-10°C to +60°C)
Lubrication	Not required
Pilot operator manual override	Locking type
Enclosure	IP67
Port size	1/4" NPT
Cv factor	0.8
Actuator port	NAMUR mount
Rated voltage	24VDC & 110VAC

NAMUR Interface 3 Port Solenoid Valve VFN200N Series

The interface surface complies with NAMUR.

- Can be directly installed on the industrial valve actuator that complies with NAMUR.



How to Order

VFN212 N - 5 D Z - 02 N - - -

NAMUR Interface

Voltage

3	110 to 120 VAC, 50/60 Hz
4	220 VAC, 50/60 Hz
5	24 VDC
6	12 VDC
7	240 VAC, 50/60 Hz

Electrical entry

T	Conduit terminal
D	DIN terminal
DO	DIN terminal (Without connector)

Thread type

Nil	Rc (PT)
F	G (PF)
N	NPT

CE marking

Nil	-
Q	CE marked product

Solenoid

Nil	Single solenoid
D	Double solenoid

Manual override

Nil	Non-locking push type (Flush)
A	Non-locking push type (Extended)
B	Locking type (Tool required)

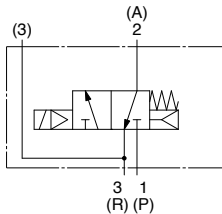
Light/Surge voltage suppressor

Nil	None
Z	With light/surge voltage suppressor

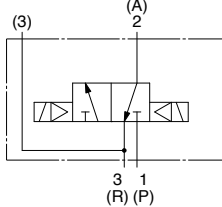
Specifications

Symbol

Single solenoid



Double solenoid



Valve specifications		Fluid	Air
Valve type		Normally closed	
Max. operating pressure		0.9 MPa (130 psi)	
Min. operating pressure		0.15 MPa (22 psi)	
Ambient and fluid temperature		14 to 140°F (-10 to +60°C) ^{Note 1)}	
Lubrication		Not required	
Pilot valve manual override		Non-locking push type (Flush/Extended)/Locking type (Tool required)	
Enclosure		Dustproof	
Port size		1/4	
Other		Cylinder ports should be NAMUR hole pattern.	
Electrical specifications		Coil rated voltage	
		12, 24 VDC, 110 to 120, 220, 240 VAC (50/60 Hz)	
		Allowable voltage fluctuation	
		-15 to +10% of rated voltage	
		Coil insulation type	
		Class B or equivalent	
		Apparent power AC (Power consumption)	
		Inrush	5.0 VA/60 Hz, 5.6 VA/50 Hz
		Holding	2.3 VA (1.5 W)/60 Hz, 3.4 VA (2.1 W) 9/50 Hz
		Power consumption DC	
		1.8 W	
		Electrical entry	
		Conduit terminal, DIN terminal	

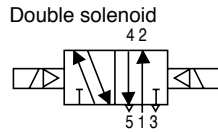
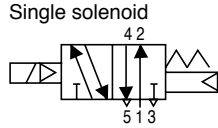
Note 1) Use dry-air at low temperature.

NAMUR Interface 5 Port Solenoid Valve **VFN2000N Series**

Specifications



Symbol



Valve	Fluid	Air/Inert gas		
	Max. operating pressure	0.9 MPa {130 PSI}		
	Min. operating pressure	0.15 MPa {22 PSI}		
	Ambient and fluid temperature	14 to 140°F (-10 to +60°C) (1)		
	Lubrication	Not required		
	Pilot operator manual override	Non-locking push type (Flush)		
	Enclosure	Dustproof		
	Port size	1/4		
	Other	Cylinder ports should be NAMUR hole pattern.		
Electrical entry	Allowable voltage range	-15 to +10% of rated voltage		
	Coil insulation	Class B or equivalent		
	Apparent power AC (Power consumption)	Inrush	5.0 VA/60 Hz, 5.6 VA/50 Hz	
		Holding	2.3 VA (1.5 W)/60 Hz, 3.4 VA (2.1 W)/50 Hz	
	Power consumption DC	1.8 W		
Electrical entry	Conduit terminal, DIN terminal			

Note 1) Use dry-air at low temperature.

How to Order

VFN2 1 20 N - 5 D Z - 02 N

Solenoid

1	Single solenoid
2	Double solenoid

NAMUR Interface

Voltage

3	110 to 120 VAC, 50/60 Hz
4	220 VAC, 50/60 Hz
5	24 VDC
6	12 VDC
7	240 VAC, 50/60 Hz

Note) Hazardous location solenoid enclosure available upon request (Consult sales)

Electrical entry

T	Conduit terminal
D	DIN terminal
DO	DIN terminal (Without connector)

Thread type

Nil	Rc (PT)
F	G (PF)
N	NPT

Manual override/Classification

Nil	Non-locking push type (Flush)
A	Non-locking push type (Extended)
B	Locking type (Tool required)

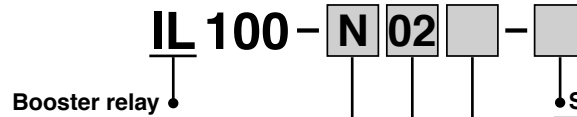
Light/Surge voltage suppressor

Nil	None
Z	With light/surge voltage suppressor

Booster Relay *IL100 Series*



How to Order



Thread type	
Nil	Rc
N	NPT*
F	G*

* Semi-standard

Port size	
02	1/4
03	3/8

Suffix	
Nil	Standard
T	High temperature 23 to 212°F (-5 to 100°C)
L	Low temperature -22 to 140°F (-30 to 60°C)
S	Copper-free
ST	Copper-free/ High temperature 23 to 212°F (-5 to 100°C)
SL	Copper-free/ Low temperature -22 to 140°F (-30 to 60°C)

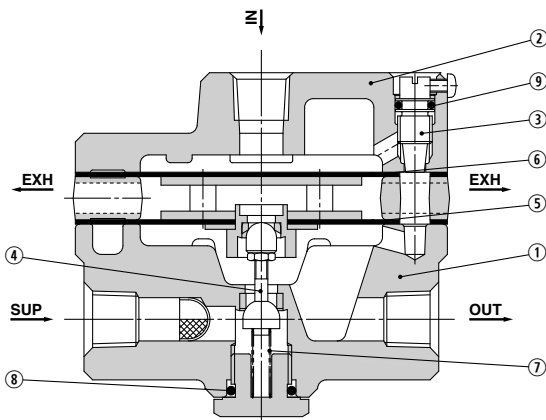
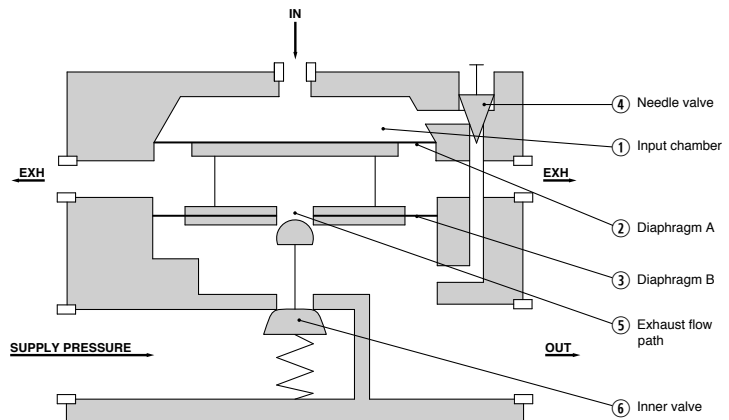
Accessories

Nil	None
B	With bracket

Standard Specifications

Supply pressure	Max. 145 psi (1.0 MPa)
Input pressure	Max. 101.5 psi (0.7 MPa)
Output pressure	Max. 101.5 psi (0.7 MPa)
Pressure ratio	1 : 1
Air consumption	3 L/min (ANR) or less (OUT = 72.5 psi/0.5 MPa)
Linearity	Within ±1%
Hysteresis	Within 1%
Ambient and Fluid Temperature	23 to 140°F (-5 to 60°C)
Weight	20oz (560 g)

Signal pressure enters the input chamber ① and diaphragm A ② and exerts a downward force on diaphragm B ③. When the force of the input chamber ① exceeds the force of diaphragm B ③, inner valve ⑥ is inserted allowing air flow out the secondary supply port. On signal pressure exhaust the supply valve closes and exhaust flow path ⑤ is opened to allow vent of the secondary air supply to atmosphere. Input and output ports are connected by a needle valve ④. Adjustment ensures that exact equalization occurs between the signal and output supply. The above function allows a low volume signal to provide high volume output with pressure ratio remaining (1:1) for signal to output.



Component Parts

No.	Description	Material	Note
1	Valve	Aluminum alloy	Silver baking finish
2	Cover	Aluminum alloy	Silver baking finish
3	Throttle valve	Stainless steel	
4	Inner valve	Stainless steel	
5	Diaphragm assembly	Aluminum alloy/NBR/Resin	Chromated
6	Diaphragm	NBR	
7	Valve spring	Stainless steel	
8	O-ring	NBR	
9	O-ring	NBR	

Lock-Up Valve **IL201/211/220 Series**

Single acting, Double acting: Retains pressure at the operating area as emergency operation until the air source is recovered to its normal state.

3 Port: Changes the supply port if a trouble occurs.



How to Order

IL **201** - **N** **02** - [] - []

Action

201	Single acting
211	Double acting
220	3 Port

Thread type

Nil	Rc
N	NPT*
F	G*

* Semi-standard

Accessories

Nil	None
B	With bracket

Port size

02	1/4
-----------	-----

Suffix

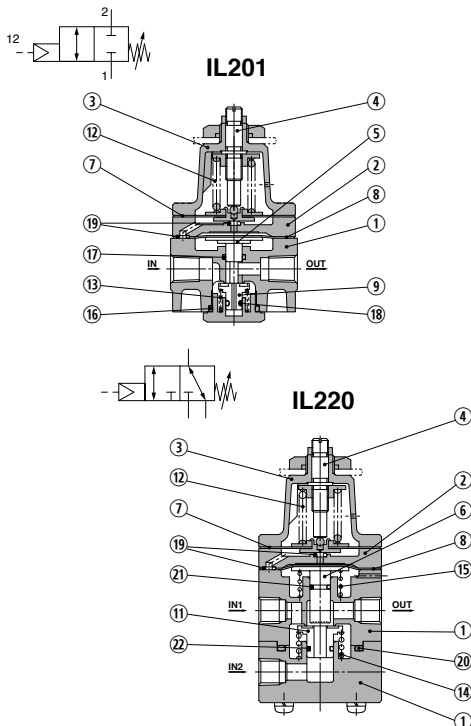
Nil	Standard
T	High temperature 23 to 212°F (-5 to 100°C)
L	Low temperature -22 to 140°F (-30 to 60°C)
S	External Parts Copper Free
ST	External PartsCopper-Free High temperature 23 to 212°F (-5 to 100°C)
SL	External PartsCopper-Free Low temperature -22 to 140°F (-30 to 60°C)

Standard Specifications

Model	IL201	IL211	IL220
Action	Single acting	Double acting	3 Port
Signal pressure	Max. 145 psi (1.0 MPa) <i>Note 1)</i>		
Set pressure range	21 to 101.5 psi (0.14 to 0.7 MPa) <i>Note 1)</i>		
Shut-off pressure	Max. 101.5 psi (0.7 MPa)		
Ambient and fluid temperature	23 to 140°F (-5 to 60°C)		
Differential <i>Note 2)</i>	1.45 psi (0.01 MPa)		
Weight	15.9 oz (450 g)	22.6 oz (640 g)	24.7 oz (700 g)

Note 1) Provide a differential pressure of 0.1 MPa or more between the signal pressure and set pressure. If the differential pressure is small, the internal part is worn out due to the structure of this product and the bleed amount from the exhaust port increases, which may affect the characteristics.

Note 2) Pressure difference between lock activated and lock released



Component Parts

No.	Description	Material	Note
1	Body	Aluminum alloy	Silver baking finish
2	Pilot body	Aluminum alloy	Silver baking finish
3	Bonnet	Aluminum alloy	Silver baking finish
4	Adjusting screw	Stainless steel	
5	Piston	Brass	
6	Piston rod	Brass	
7	Diaphragm assembly	Aluminum alloy/Brass/NBR	Chromated
8	Diaphragm	NBR	
9	Piston valve	Brass/NBR	
10	Piston valve	Brass/NBR	
11	Valve	Brass/NBR	
12	Adjusting spring	Steel wire	Zinc chromated
13	Valve spring	Stainless steel	
14	Valve spring	Stainless steel	
15	Piston spring	Stainless steel	
16	O-ring	NBR	
17	O-ring	NBR	
18	O-ring	NBR	
19	O-ring	NBR	
20	O-ring	NBR	
21	O-ring	NBR	
22	O-ring	NBR	

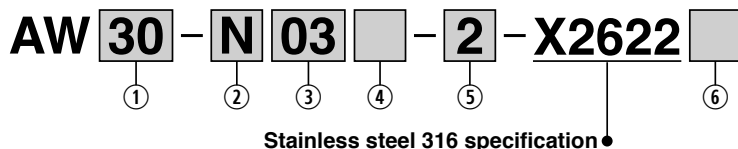
Filter Regulator **AW30/40-X2622**



- External parts material: Stainless steel 316
- Ambient and fluid temperature: -40 to 176°F (-40 to 80°C)
- NACE International Standards compliant

The JIS component standards of the external parts and the component measurement results of the certificate for materials are within the ANSI/NACE standards.

How to Order



• Option/Semi-standard: Select one each for a to d.
 • Option/Semi-standard symbol: When more than one specification is required, indicate in alphanumeric order.
 Example) AW30-03C-2R-X2622A

		Symbol	Description	①			
				Body size			
				30	40		
②	Thread type	Nil	Rc	●	●		
		N	NPT	●	●		
		F	G	●	●		
+							
③	Port size	02	1/4	●	●		
		03	3/8	●	●		
		04	1/2	—	●		
		06	3/4	—	●		
+							
④	Option i	a	Float type auto drain	Nil	Without option		
		C ^{Note 1)}	Float type auto drain (N.C.)	●	●		
+							
⑤	Semi-standard	b	Bowl	2 ^{Note 2)}	Metal bowl		
		+					
		c	Flow direction	Nil	Flow direction: Left to right	●	●
R	Flow direction: Right to left			●	●		
+							
⑥	Option ii	d	Pressure gauge ^{Note 3)} Bracket	Nil	Without option		
				A	Round type pressure gauge (without limit indicator)	●	●
				B	With bracket	●	●
				C	Round type pressure gauge (without limit indicator), With bracket	●	●

Note 1) When the float type auto drain is selected, the fluid temperature range is 23 to 140°F (-5 to 60°C)(no freezing), and the maximum operating pressure is 145 psi (1.0 MPa). Take measures if the fluid temperature is likely to be out of the specified range due to the ambient temperature.

Note 2) Only metal bowl is available.

Note 3) The pressure gauge is shipped together, but not assembled. AW30: G43-10-□01-X3 or AW40: G43-10-□02-X3 is included.

Specifications

Fluid	Air
Ambient and fluid temperature	-40 to 176°F (-40 to 80°C)(no freezing)
Proof pressure	435 psi (3.0 MPa)
Maximum operating pressure	290 psi (2.0 MPa)
Set pressure range	7.2 to 123 psi (0.05 to 0.85 MPa)
Nominal filtration rating	5 μm
Drain capacity (cm ³)	AW30: 20, AW40: 80
Construction	Relieving type
Weight	AW30: 42 oz (1.19 kg), AW40: 12 oz (3.40 kg)

Applicable Model

Model	AW30	AW40
Port size	1/4, 3/8	1/4, 3/8, 1/2, 3/4



One-touch Fittings

Series KQG2



Seal parts: Special FKM

Material
Stainless Steel 316

23 to 302°F
-5 to 150°C

Fluid Temperature

Insert Fittings

Series KFG2



Rubber material is not used.
(Except swivel elbow)

-85 to 500°F
-65 to 260°C

(Swivel elbow: 23 to 302°F, -5 to 150°F)

Grease-free/Can be used with steam.

How to Order

KQ G 2 H 06 - 01 S

Body Material	
G	SUS316
B	Metal

Thread Size	
Nil	R Thread
N	NPT Thread
G	G Thread

Model	
H	Male Connector Straight Union Different Diameter Straight
L	Male Elbow Elbow
T	Male Branch Tee Union Tee Different Diameter Tee
U	Union "Y" Different Dia. Union "Y"
E	Bulkhead Union Bulkhead Thread Connector
F	Female Connector
S	Hex. Socket Head Male Connector
P	Plug
W	Extended Male Elbow
R	Plug-in Reducer

Applicable Tubing O.D.			
mm size		inch size	
23	ø3.2	01	ø1/8"
04	ø4	03	ø5/32"
06	ø6	07	ø1/4"
08	ø8	09	ø5/16"
10	ø10	11	ø3/8"
12	ø12	13	ø1/2"
16	ø16		

Connection Thread/Applicable Tubing O.D.		
Thread Connection	M5	M5 x 0.8
	32	10-32UNF
	01	1/8
	02	1/4
	03	3/8
Tube Connect	04	1/2
	00	Same Tube Size
	23	ø3.2
	04	ø4
	06	ø6
	08	ø8
	10	ø10
	12	ø12
	16	ø16
	01	ø1/8"
	03	ø5/32"
	07	ø1/4"
	09	ø5/16"
11	ø3/8"	
13	ø1/2"	

KF G 2 H 0604 - 01 S

Body Material	
G	SUS316

Kind of Thread	
-	R Thread
N	NPT Thread

w/ Thread Size	
Nil	Non
S	w/ Thread Seal

Model	
H	Male Connector Straight Union
L	Elbow Male Elbow
T	Male Branch Tee Union Tee
E	Bulkhead Union
F	Female Connector
V	Swivel Elbow

Thread	Tube	Applicable
Thread Connection	01	1/8
	02	1/4
	03	3/8
	04	1/2
Tube Connect	00	Same Tube Size

Applicable Tubing		
mm size	0425	ø4 x ø2.5
	0403	ø4 x ø3
	0604	ø6 x ø4
	0806	ø8 x ø6
	1075	ø10 x ø7.5
	1008	ø10 x ø8
	1209	ø12 x ø9
inch size	1210	ø12 x ø10
	1613	ø16 x ø13
	0122	ø1/8" x ø2.18"
	0325	ø5/32" x ø2.5"
	0704	ø1/4" x ø5/32"
	0906	ø5/16" x ø6"
	1163	ø3/8" x ø1/4"
	1395	ø1/2" x ø3/8"

Global Manufacturing, Distribution and Service Network

Worldwide Subsidiaries

EUROPE

AUSTRIA
SMC Pneumatik GmbH (Austria)

BELGIUM
SMC Pneumatics N.V./S.A.

BULGARIA
SMC Industrial Automation Bulgaria EOOD

CROATIA
SMC Industrijska Automatika d.o.o.

CZECH REPUBLIC
SMC Industrial Automation CZ s.r.o.

DENMARK
SMC Pneumatik A/S

ESTONIA
SMC Pneumatics Estonia

FINLAND
SMC Pneumatics Finland OY

FRANCE
SMC Pneumatique S.A.

GERMANY
SMC Pneumatik GmbH

GREECE
SMC Hellas EPE

HUNGARY
SMC Hungary Ipari Automatizálási Kft.

IRELAND
SMC Pneumatics (Ireland) Ltd.

ITALY
SMC Italia S.p.A.

KAZAKHSTAN
LLP "SMC Kazakhstan"

LATVIA
SMC Pneumatics Latvia SIA

LITHUANIA
UAB "SMC Pneumatics"

NETHERLANDS
SMC Pneumatics B.V.

NORWAY
SMC Pneumatics Norway AS

POLAND
SMC Industrial Automation Polska Sp. z o.o.

ROMANIA
SMC Romania S.r.l.

RUSSIA
SMC Pneumatik LLC.

SLOVAKIA
SMC Priemyselná Automatizácia, Spol s.r.o.

SLOVENIA
SMC Industrijska Avtomatika d.o.o.

SPAIN / PORTUGAL
SMC España, S.A.

SWEDEN
SMC Pneumatics Sweden AB

SWITZERLAND
SMC Pneumatik AG

TURKEY
SMC Pnömatik Sanayi Ticaret ve Servis A.Ş.

UK
SMC Pneumatics (U.K.) Ltd.

ASIA / OCEANIA

AUSTRALIA
SMC Pneumatics (Australia) Pty. Ltd.

CHINA
SMC (China) Co., Ltd.
SMC Pneumatics (Guangzhou) Ltd.

HONG KONG
SMC Pneumatics (Hong kong) Ltd.

INDIA
SMC Pneumatics (India) Pvt. Ltd.

INDONESIA
PT. SMC Pneumatics Indonesia

JAPAN
SMC Corporation

MALAYSIA
SMC Pneumatics (S.E.A.) Sdn. Bhd.

NEW ZEALAND
SMC Pneumatics (N.Z.) Ltd.

PHILIPPINES
Shoketsu SMC Corporation

SINGAPORE
SMC Pneumatics (S.E.A.) Pte. Ltd.

SOUTH KOREA
SMC Pneumatics Korea Co., Ltd.

TAIWAN
SMC Pneumatics (Taiwan) Co., Ltd.

THAILAND
SMC (Thailand) Ltd.

UNITED ARAB EMIRATES
SMC Pneumatics Middle East FZE

VIETNAM
SMC Pneumatics (VN) Co., Ltd

AFRICA

SOUTH AFRICA
SMC Pneumatics (South Africa) Pty Ltd

NORTH, CENTRAL & SOUTH AMERICA

ARGENTINA
SMC Argentina S.A.

BOLIVIA
SMC Pneumatics Bolivia S.R.L.

BRAZIL
SMC Pneumáticos do Brasil Ltda.

CANADA
SMC Pneumatics (Canada) Ltd.

CHILE
SMC Pneumatics (Chile) S.A.

COLOMBIA
SMC Colombia Sucursal de SMC Chile, S.A.

MEXICO
SMC Corporation (Mexico) S.A. de C.V.

PERU
SMC Corporation Peru S.A.C.

USA
SMC Corporation of America

VENEZUELA
SMC Neumatica Venezuela S.A.

U.S. & Canadian Sales Offices

WEST

Austin
Dallas
Los Angeles
Phoenix
Portland
San Jose

CENTRAL



Chicago
Cincinnati
Cleveland
Detroit
Des Moines
Grand Rapids
Indianapolis
Kansas City
Milwaukee
Minneapolis
St. Louis

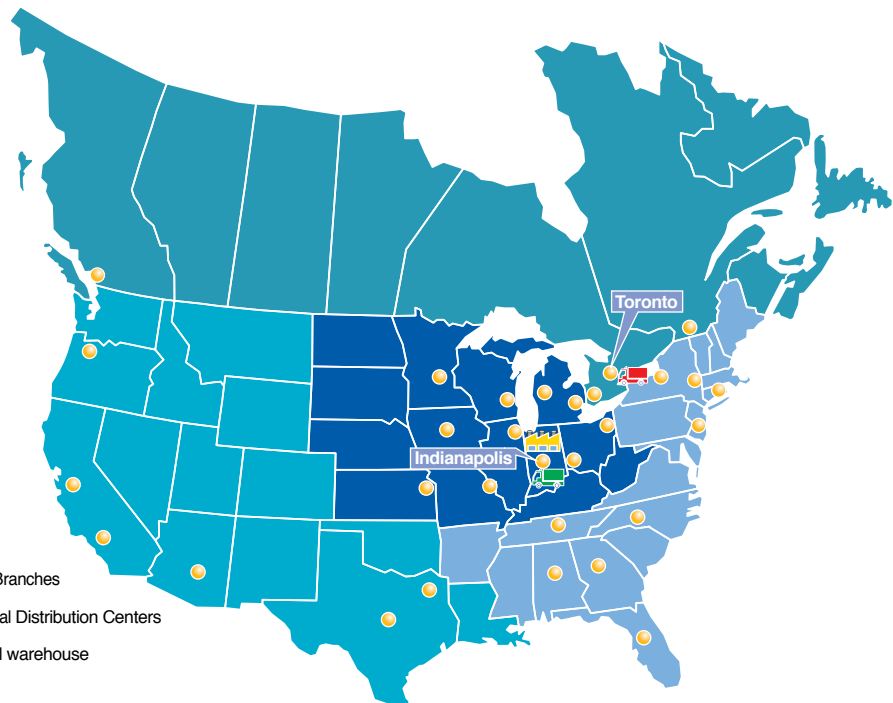
EAST

Albany
Atlanta
Birmingham
Boston
Charlotte
Knoxville
Nashville
New Jersey
Rochester
Tampa

CANADA

Vancouver
Toronto
Windsor
Montreal

● Sales Branches
 Regional Distribution Centers
 Central warehouse



o o o o e c
 S C S CO
 W S C e C S C
 S e S C S CO
 S C O CO

