



Pulse Valve

Valve for Dust Collector

New

RoHS

Air

Life: **10 million cycles***¹ or more/
10 times*² or more

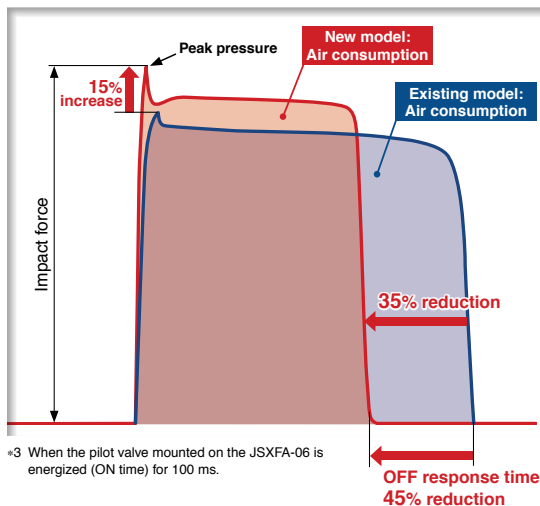
High **peak pressure** and low **air consumption**

Peak pressure **15%***³ increase

Air consumption **35%***³ reduction

*1 Based on SMC's specific testing conditions
(JSXFA-06, Pilot valve orifice is $\phi 5$ mm or larger)

*2 Comparison with SMC existing model



Compression fitting type



Size:
3/4 (20A), 1 (25A), 1 1/2 (40A)

Direct piping type



Port size



3/4 (20A)



1 (25A)



1 1/2 (40A)

JSXFA Series

NC70-57A

Long service life: 10 million cycles*¹ or more

Spring is not necessary due to high strength elastomer diaphragm.

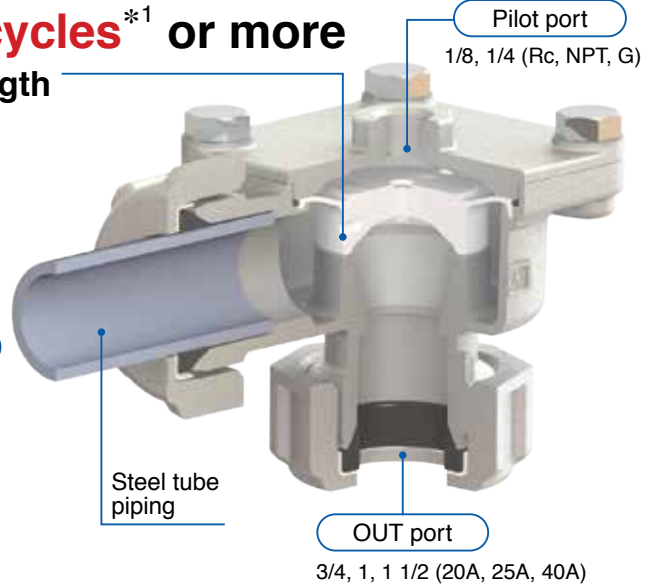
* Value based on the test conditions of SMC (3/4 inch, 20A) (except the made-to-order "A")

OFF response time: 45%*^{1, 2} reduction

IN port
3/4, 1, 1 1/2 (20A, 25A, 40A)

Fluid temperature: -40 to 140°F (-40 to 60°C)

Applicable for wide range of temperature



Easier maintenance

Springless diaphragm allows for easy maintenance of valve. Main valve and sub-valve (for 40A) included in maintenance kit

*1 Based on SMC's specific testing conditions (JSXFA-06, Pilot valve orifice is ø5 mm or larger)
*2 Comparison with SMC existing model

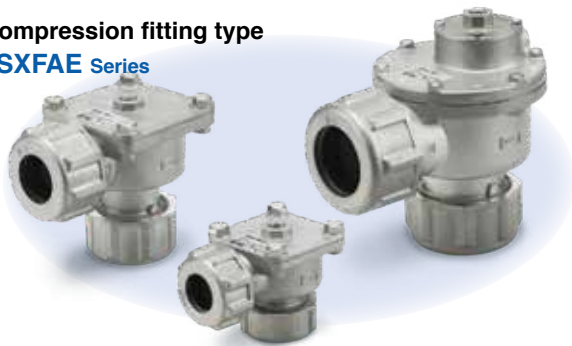
Flow rate characteristics: 40%*^{1, 2} increase

Optimum design for the internal geometry

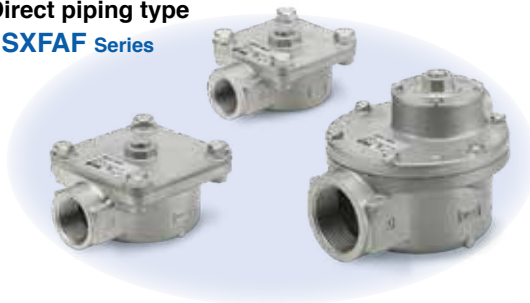
Variations

Piping	Port size	Orifice diameter [mm]	Thread type	Pilot port size	With/without silencer (Option)
Compression fitting type	3/4 (20A)	ø32	Rc NPT G	1/8 1/4	Without
	1 (25A)	ø40			Without
	1 1/2 (40A)	ø50			With
Direct piping type (Rc, NPT, G)					

Compression fitting type JSXFAE Series



Direct piping type JSXFAF Series



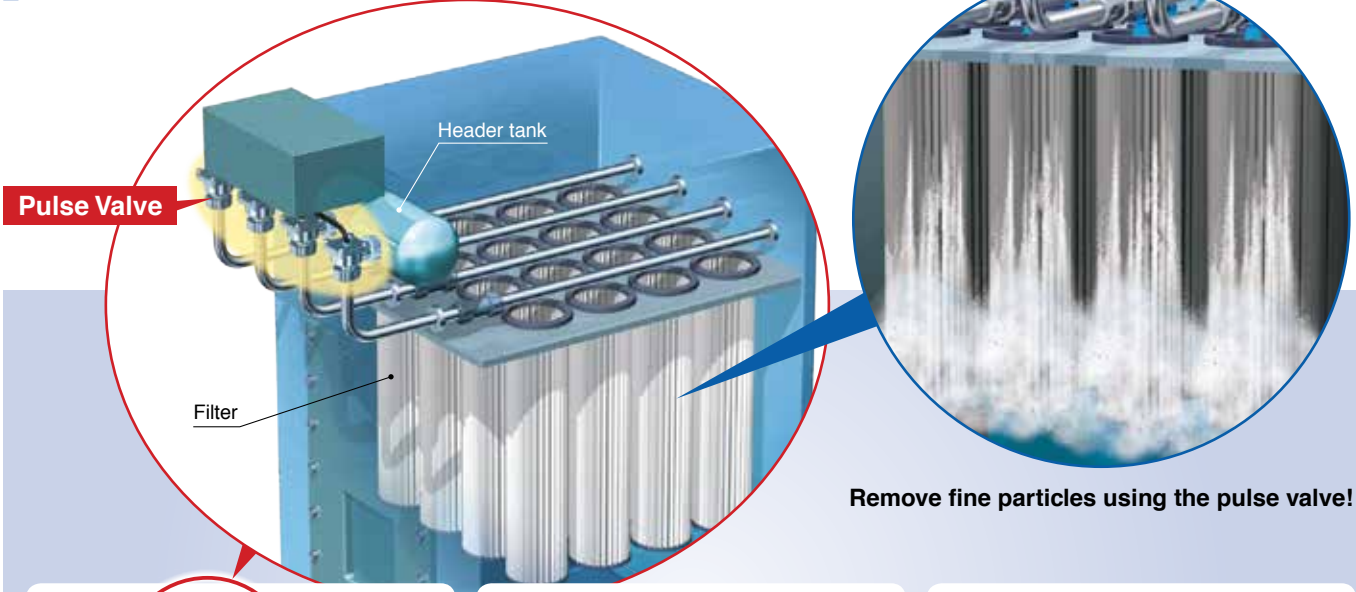
Dedicated Controller for Operation VXFC Series p. 9

The valve controller turns ON/OFF many valves for the dust controller.

Power supply voltage	85 to 240 VAC 12 VDC, 24 to 48 VDC	Number of output points	6 output points, 10 output points
----------------------	---------------------------------------	-------------------------	--------------------------------------



Application of the pulse valve



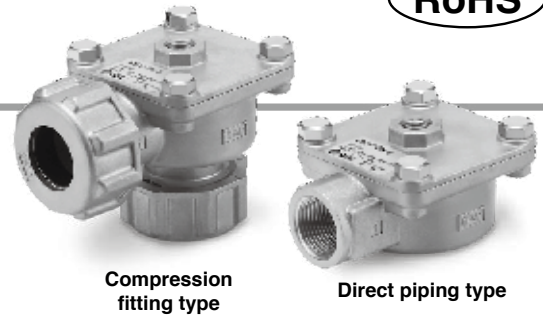
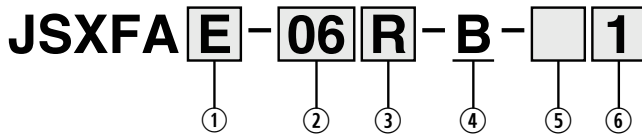
Remove fine particles using the pulse valve!



Pulse blow for various industries!



How to Order



① Piping

E	Compression fitting type*1
F	Direct piping type

*1 Seals and washers are included.

② IN/OUT port size

06	3/4 (20A)
10	1 (25A)
14	1 1/2 (40A)

③ Thread type

R	Rc
N	NPT
F	G

④ Fluid and ambient temperatures

B	-40 to 60°C
----------	-------------

⑤ With/without silencer

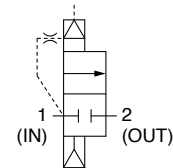
		Port size		
		06	10	14
Nil	Without	●	●	●
S	With	-	-	●

* Port size: 14 only
Select Nil for 06 and 10.

⑥ Pilot port size

Nil	1/4
1	1/8

Symbol



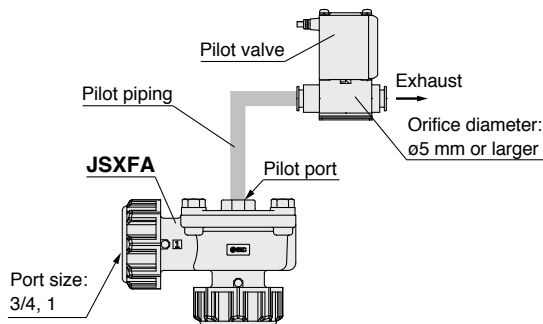
⚠ Caution

Selection of Pilot Valve

For the pilot valve orifice diameter, $\phi 5$ mm or larger is recommended.

When the pilot orifice diameter is $\phi 3$ mm or larger and less than $\phi 5$ mm, put "A" to the end of the product number for made-to-order. The product may not operate correctly if the pilot valve orifice diameter is inadequate. (port size: 3/4, 1)
Depending on the pilot piping port size*1 or length, the valve may not operate correctly.

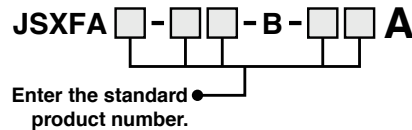
*1 The I.D. of the pilot piping must be larger than the pilot valve orifice diameter to use. The maximum pilot piping I.D. is 10 mm.



Made to Order

Pilot valve orifice diameter: Special specification

A	For $\phi 3$ mm or larger and less than $\phi 5$ mm	Port size: 06, 10
----------	---	-------------------



Specifications

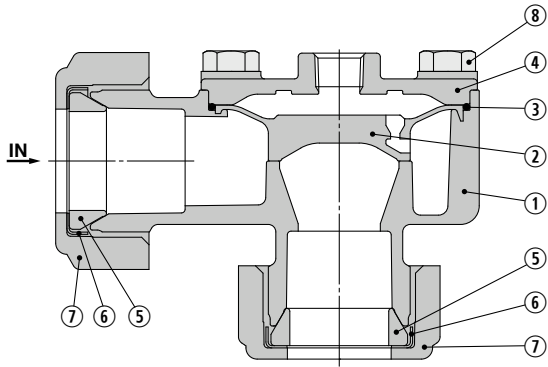
Series	JSXFA		
	06	10	14
Orifice diameter [mm]	$\phi 32$	$\phi 40$	$\phi 50$
Port size	3/4	1	1/21
Fluid	Air		
Min. operating pressure differential	14.5 psi (0.1 MPa)		
Max. operating pressure differential	130.53 psi (0.9 MPa)		
Max. system pressure	130.53 psi (0.9 MPa)		
Fluid temperature	-40*1 to 140°F (-40 to 60°C)		
Ambient temperature	-40 to 140°F (-40 to 60°C)		
Weight	Compression fitting type	16.58oz (470g)	32.10oz (910g)
	Direct piping type	10.23oz (290g)	17.64oz (500g)
		65.26oz (1850g)	43.39oz (1230g)

*1 No condensation allowed

Construction

JSXFAE/Compression Fitting Type

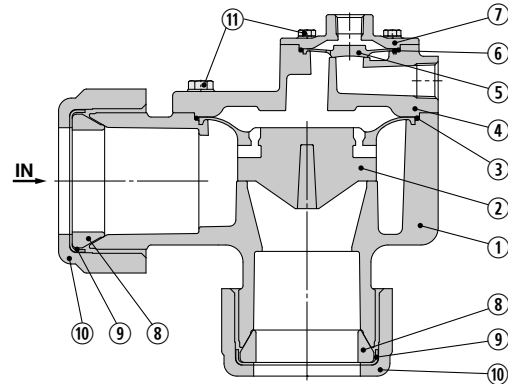
Port size: 06, 10 sizes



Component Parts

No.	Description	Material
1	Body	ADC
2	Main valve	Resin
3	O-ring	NBR
4	Bonnet	ADC
5	Seal	NBR
6	Washer	Fe (Chromated)
7	Compression nut	ADC
8	Hexagon bolt	Stainless steel

Port size: 14 size

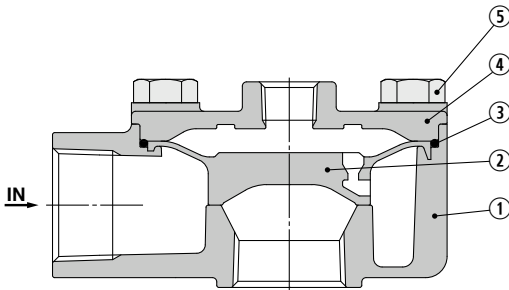


Component Parts

No.	Description	Material	No.	Description	Material
1	Body	ADC	8	Seal	NBR
2	Main valve	Resin	9	Washer	Fe (Chromated)
3	O-ring	NBR	10	Compression nut	ADC
4	Bonnet	ADC	11	Hexagon bolt	Stainless steel
5	Sub-valve	Resin			
6	O-ring	NBR			
7	Bonnet	ADC			

JSXFAF/Direct Piping Type

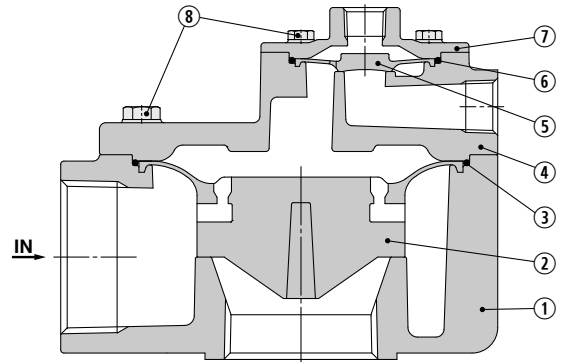
Port size: 06, 10 sizes



Component Parts

No.	Description	Material
1	Body	ADC
2	Main valve	Resin
3	O-ring	NBR
4	Bonnet	ADC
5	Hexagon bolt	Stainless steel

Port size: 14 size

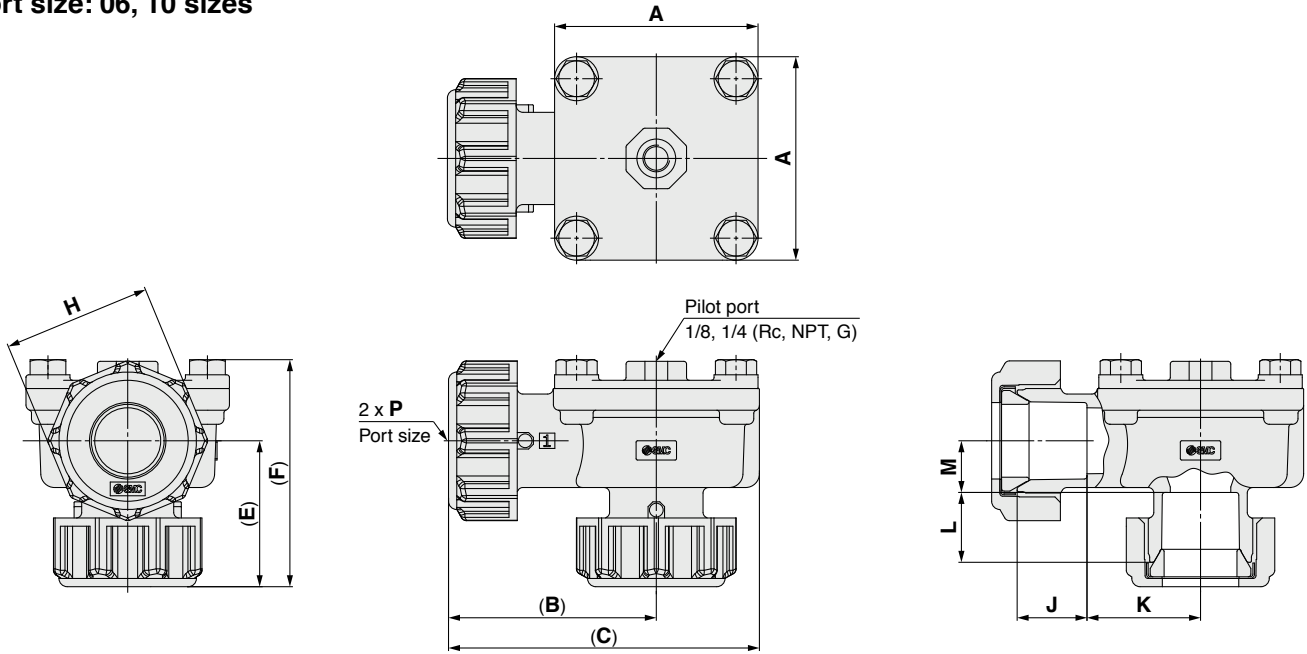


Component Parts

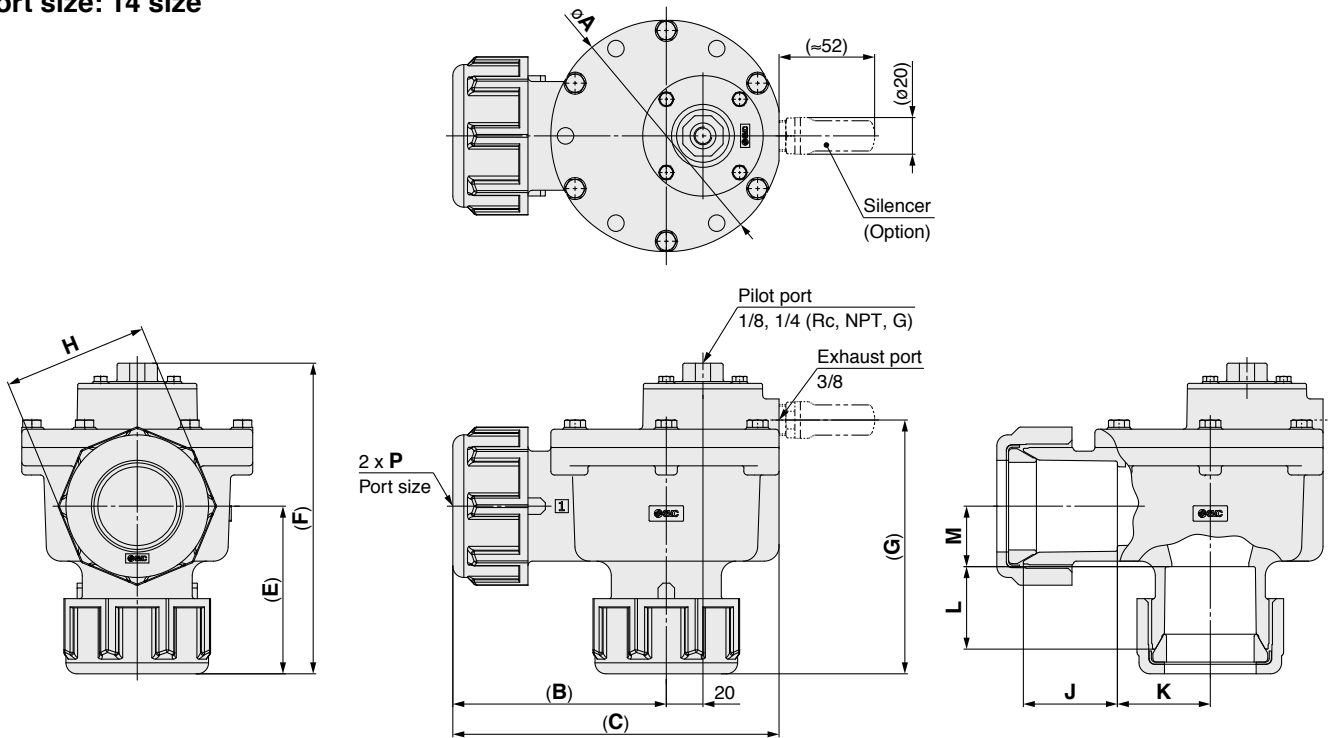
No.	Description	Material
1	Body	ADC
2	Main valve	Resin
3	O-ring	NBR
4	Bonnet	ADC
5	Sub-valve	Resin
6	O-ring	NBR
7	Bonnet	ADC
8	Hexagon bolt	Stainless steel

Dimensions: JSXFAE/Compression Fitting Type

Port size: 06, 10 sizes



Port size: 14 size



Dimension in [] shows the dimension after tightening.

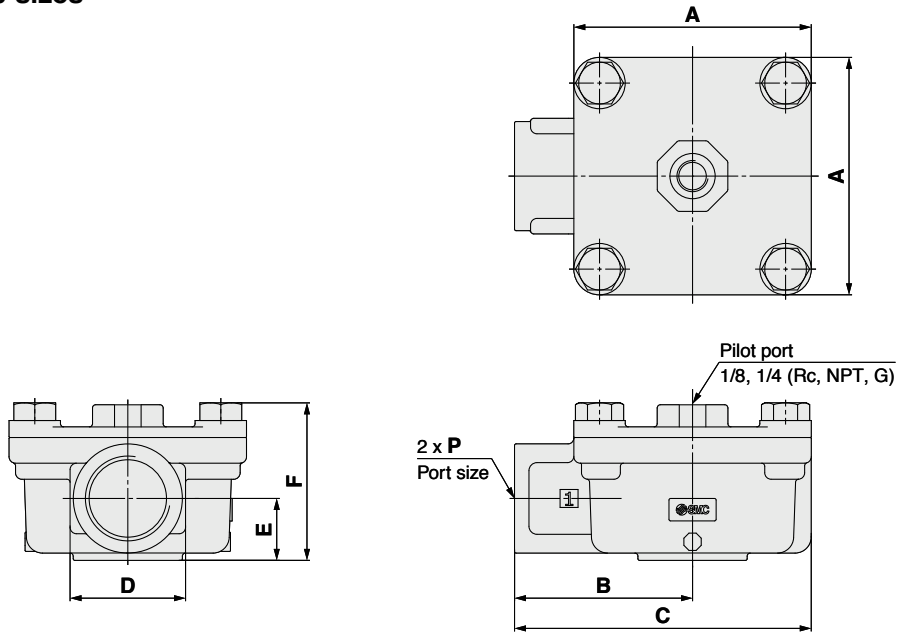
Dimensions

(mm)

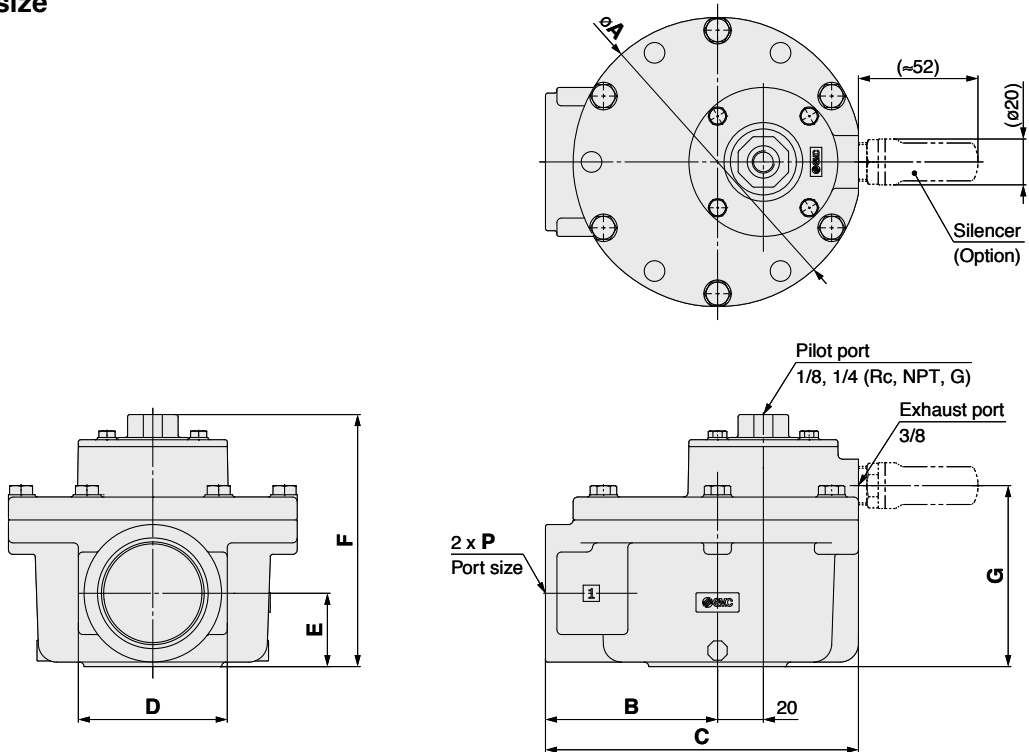
Model	Port size P	A	[B]	[C]	[E]	[F]	[G]	H	J	K	L	M
JSXFAE-06	3/4"	2.91" (74)	2.99" (76)	4.45" (113)	2.12" (54)	3.27" (83)	-	2.12" (54)	1" (25.4)	1.62" (41.3)	1" (25.4)	0.74" (18.8)
JSXFAE-10	1"	3.70" (94)	3.54" (90)	5.39" (137)	3.23" (82)	4.72" (120)	-	2.56" (65)	1.31" (33.3)	1.75" (44.4)	1.5" (38.1)	1.24" (31.6)
JSXFAE-14	1 1/2"	4.96" (126)	4.61" (117)	7.01" (178)	3.62" (92)	6.69" (170)	5.47" (139)	3.15" (80)	2.02" (51.3)	1.99" (50.7)	1.77" (45)	1.30" (33)

Dimensions: JSXFAF/Direct Piping Type

Port size: 06, 10 sizes



Port size: 14 size



Dimensions

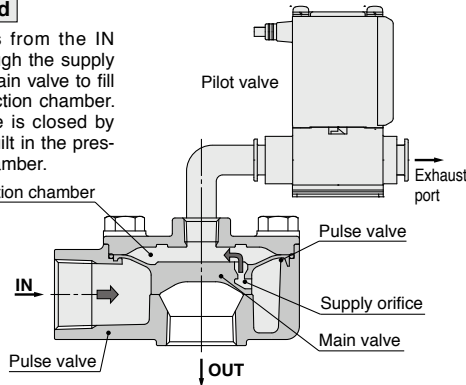
Model	Port size P	A	B	C	D	E	F	G
JSXFAF-06	3/4"	2.91" (74mm)	2.18" (55.5mm)	3.64" (92.5mm)	1.42" (36mm)	0.76" (19.3mm)	1.92" (48.8mm)	—
JSXFAF-10	1"	3.7" (94mm)	2.5" (63.5mm)	4.35" (110.5mm)	1.73" (44mm)	0.87" (22.2mm)	2.37" (60.2mm)	—
JSXFAF-14	1 1/2"	4.96" (126mm)	2.96" (75.1mm)	5.38" (136.6mm)	2.56" (65mm)	1.26" (32mm)	4.33" (110mm)	3.11" (79mm)

Working Principle

Port size: 06, 10 sizes

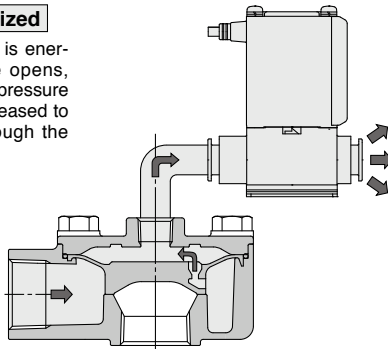
De-energized

The air enters from the IN side goes through the supply orifice of the main valve to fill the pressure action chamber. The main valve is closed by the pressure built in the pressure action chamber.



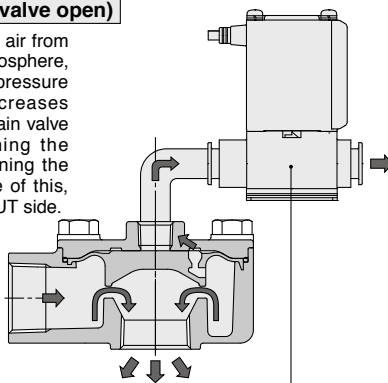
Right after energized

When the pilot valve is energized, the armature opens, and the air filling the pressure action chamber is released to the atmosphere through the pilot valve.



Energized (Main valve open)

Due to the release of air from the pilot valve to atmosphere, the pressure in the pressure action chamber decreases (force pushing the main valve down < force pushing the main valve up), opening the main valve. Because of this, the air flows to the OUT side.

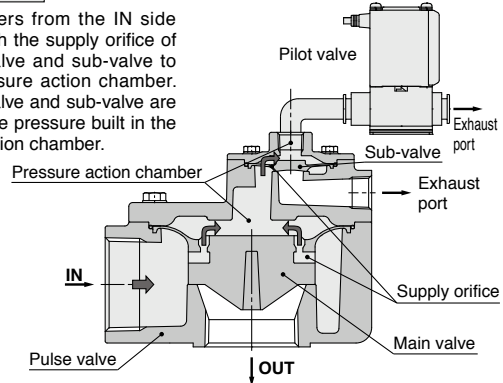


Caution p. 3 Selection of Pilot Valve

Port size: 14 size

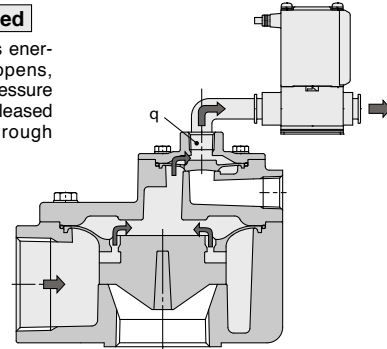
De-energized

The air enters from the IN side goes through the supply orifice of the main valve and sub-valve to fill the pressure action chamber. The main valve and sub-valve are closed by the pressure built in the pressure action chamber.



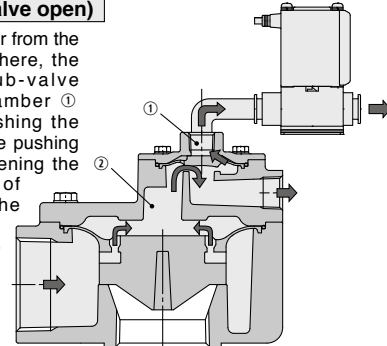
Right after energized

When the pilot valve is energized, the armature opens, and the air filling the pressure action chamber ① is released to the atmosphere through the pilot valve.



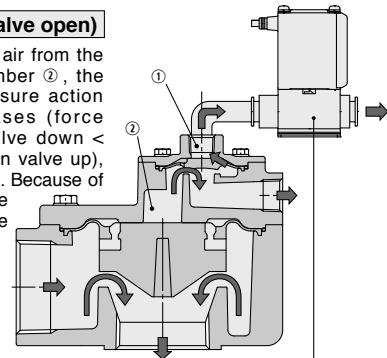
Energized (Sub-valve open)

Due to the release of air from the pilot valve to atmosphere, the pressure in the sub-valve pressure action chamber ① decreases (force pushing the sub-valve down < force pushing the sub-valve up), opening the sub-valve. Because of this, the air filling the pressure action chamber ② is released to the atmosphere from the exhaust port.



Energized (Main valve open)

Due to the release of air from the pressure action chamber ②, the pressure in the pressure action chamber ② decreases (force pushing the main valve down < force pushing the main valve up), opening the main valve. Because of this, the air flows to the OUT side of the pulse valve.



Caution p. 3 Selection of Pilot Valve

Replacement Parts

Model	Replacement part number		
	Main valve assembly (Main valve + O-ring)	Sub-valve assembly (Sub-valve + O-ring)	Silencer
JSXFA(E, F)-06□-B-□	JSXF-06B-KT	—	—
JSXFA(E, F)-06□-B-□A	JSXF-06B-A-KT	—	—
JSXFA(E, F)-10□-B-□	JSXF-10B-KT	—	—
JSXFA(E, F)-10□-B-□A	JSXF-10B-A-KT	—	—
JSXFA(E, F)-14□-B-□	JSXF-14B-KT	JSXF-14B-KT2	AN30-03 (14R, 14F), AN30-N03 (14N)

Disassembly/Assembly Procedure

⚠ Caution

1. Before starting the disassembly work, be sure to shut off the power supply and pressure supply, and then release the residual pressure.

Disassembly

- 1) Loosen the hexagon bolts and remove the bonnet, O-ring, and main valve (sub-valve).

Assembly

- 1) Assemble the main valve (sub-valve) to the body. The main valve (sub-valve) has a required mounting direction.

Assemble the valve referring to Fig. 1.

If the valve is assembled in incorrect direction, it can cause a malfunction.

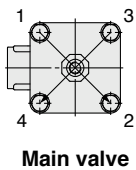
- 2) Mount the O-ring to the body groove. (See Fig. 2.) After mounting of the O-ring, check if the O-ring is fitted properly in the groove. If it is out of the groove, external leakage and/or operation failure may occur.
- 3) Assemble the bonnet to the body.
- 4) Tighten the hexagon bolts diagonally. (See Table 1 for the tightening torque.)

Table 1 Proper Tightening Torque

[in·lb (N·m)]

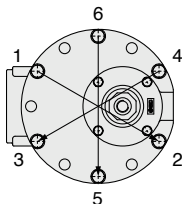
JSXFA□-06□		110.63 to 122.14 (12.5 to 13.8)
JSXFA□-10□		110.63 to 122.14 (12.5 to 13.8)
JSXFA□-14□	Main valve	46.02 to 50.45 (5.2 to 5.7)
	Sub-valve	13.28 to 15.05 (1.5 to 1.7)

Port size:
06, 10

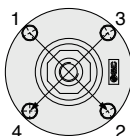


Main valve

Port size:
14



Sub-valve



Port size: 06, 10

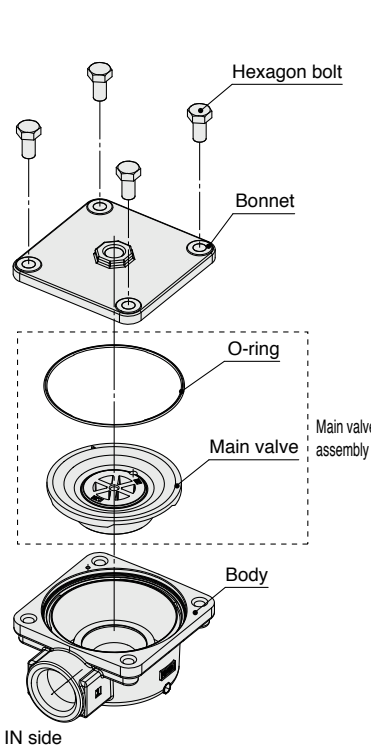
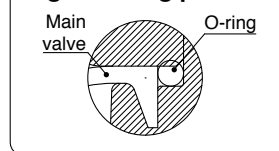


Fig. 2 O-ring position



Port size: 14

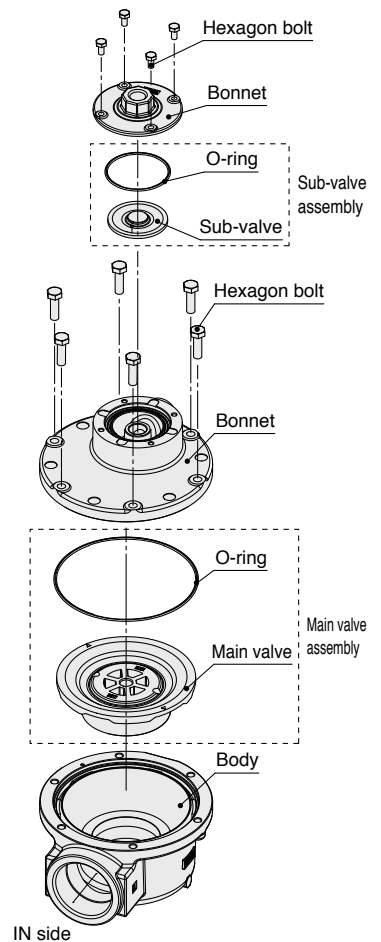
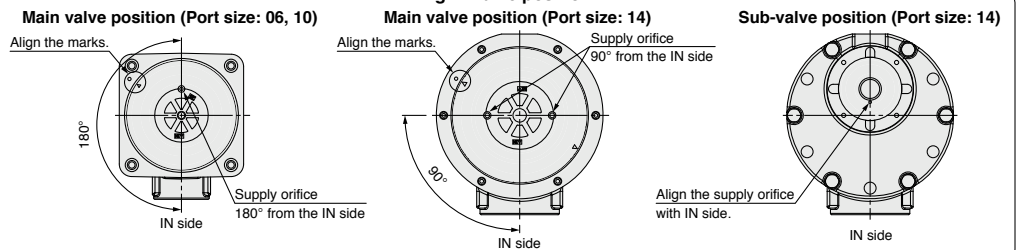


Fig. 1 Valve position



Dedicated Controller for Operation / VXFC Series

How to Order Controller

VXFC 06 D

Number of output points

06	6 output points
10	10 output points

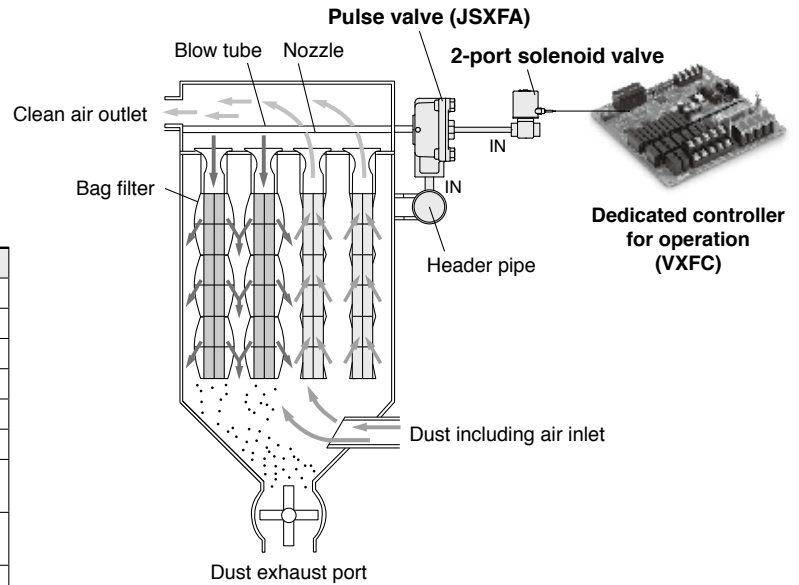
Voltage

D	24 to 48 VDC
D-6	12 VDC
A	85 to 240 VAC

Specifications

Model	VXFC ⁰⁶ ₁₀ A	VXFC ⁰⁶ ₁₀ D	VXFC ⁰⁶ ₁₀ D-6
Input voltage	85 to 240 VAC	24 to 48 VDC	12 VDC
Output voltage	Same as input voltage		
Time setting	ON	0.01 to 0.99 sec.	
	OFF	0 to 299 sec.	
	Time accuracy	±2%	
Number of outputs	6 to 10 points		
Operating ambient temperature	0 to 50°C (No condensation allowed)		
Operating ambient humidity	45 to 80% (No condensation allowed)		
Output current	0.5 A or less	0.5 A or less	0.5 A or less
Power supply fuse	3 A	1 A	1 A

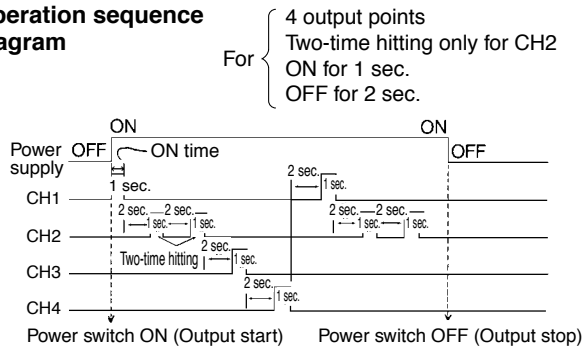
[Application example]



Two-time Hitting Function

A two-time hitting function is adopted to improve the bag filter dusting efficiency. Turn ON the DIP switch for two-time hitting (OFF for one-time hitting).
(Effective up to the number of setting channels)

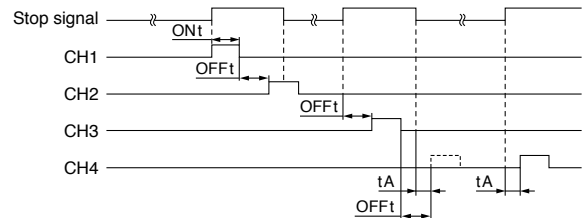
Operation sequence diagram



Interrupt Operation Function

Interrupting an operation from an external switch is possible using input signals.

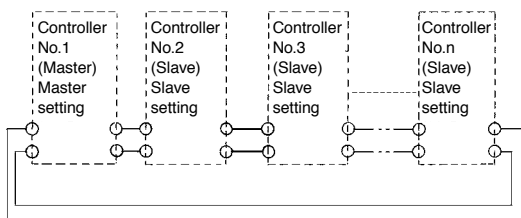
Operation sequence diagram



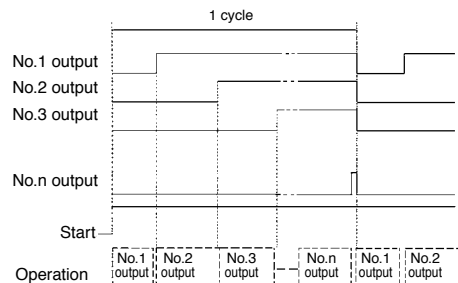
Cascade Connection (Multiple-board connection)

VXFC10: One board allows outputs at merely 10 output points max. But the points can be increased to 20 and 30 output points by connecting cascades.

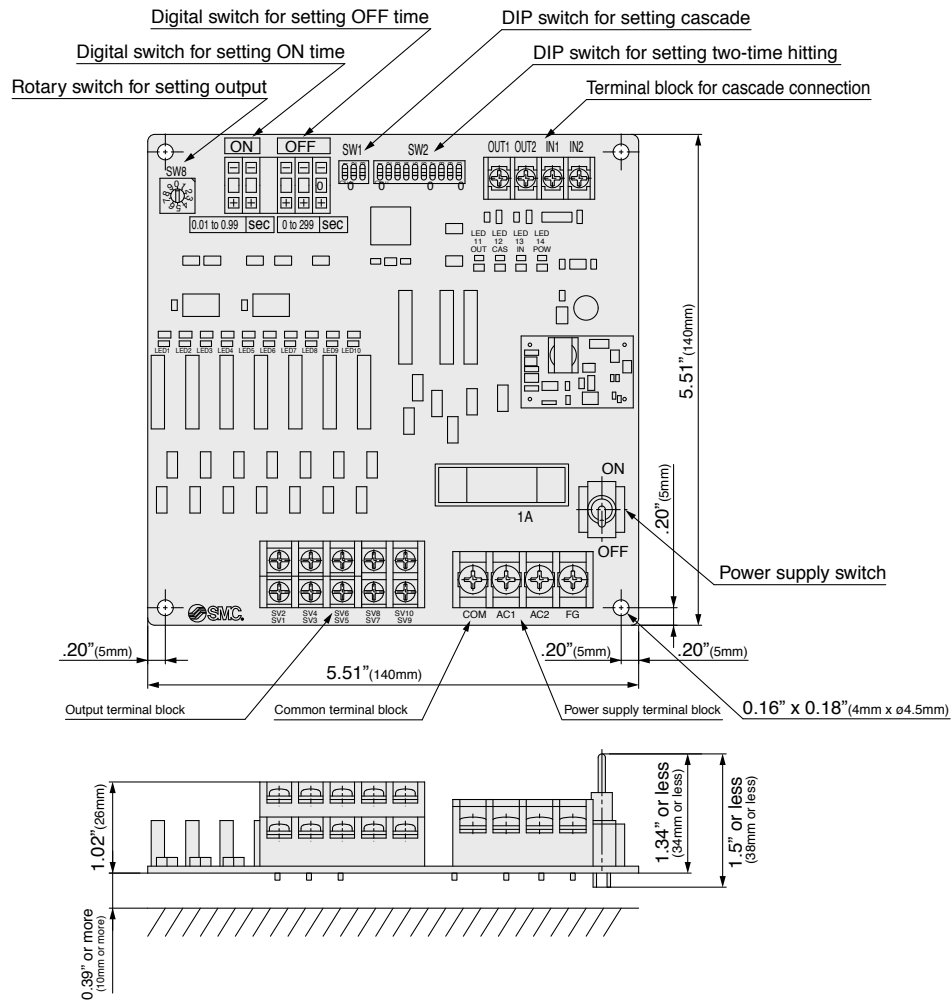
Connection



Operation sequence diagram



Dimensions

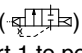


JSXFA Series / Glossary of Terms

Pressure Terminology

- 1. Maximum operating pressure differential**
The maximum pressure differential (the difference between the inlet and outlet pressure) which is allowed for operation. When the outlet pressure is 0 MPa, this becomes the maximum operating pressure.
- 2. Minimum operating pressure differential**
The minimum pressure differential (the difference between the inlet pressure and outlet pressure) required to keep the main valve fully open.
- 3. Maximum system pressure**
The maximum pressure that can be applied inside the pipelines (line pressure).
[The pressure differential of the solenoid valve portion must not exceed the maximum operating pressure differential.]

Other

- 1. Symbol**
In the symbol () , when the valve is closed, flow is blocked from port 1 to port 2. However, if the pressure in port 2 is higher than port 1, the valve will not be able to block the fluid and it will flow from port 2 to port 1.



Be sure to read this before handling the products. Refer to last page for safety instructions. For 2-port solenoid valve for fluid control precautions, refer to the “Handling Precautions for SMC Products” and the “Operation Manual” on the SMC website.

Design

⚠Warning

1. Cannot be used as an emergency shutoff valve etc.

The valves presented in this catalog are not designed for safety applications such as an emergency shutoff valve. If the valves are used in this type of system, other reliable safety assurance measures should also be adopted.

2. Continuous valve open

The valve is for pulse operation. Do not open the valve continuously. Since a large amount of air is consumed, the diaphragm will oscillate (chatter) due to insufficient air supply on the inlet side, and this can lead to failure.

Silencer

⚠Caution

1. The silencer's response properties do not change in the initial stage, but will change due to the blockage after long use. Replace it after using about 500,000 times. This number is subject to change based on fluid quality and energizing time.
2. When using a silencer, make space for silencer replacement.

Selection

⚠Warning

1. Air quality

1. **Use clean air.**
Do not use compressed air that contains chemicals, synthetic oils including organic solvents, salt or corrosive gases, etc., as it can cause damage or malfunction.
2. **Install an air filter.**
Install an air filter close to the valve on the upstream side. A filtration degree of 5 μm or less should be selected.
3. **Install an aftercooler or air dryer, etc.**
Compressed air that contains excessive drainage may cause malfunction of valves and other pneumatic equipment. To prevent this, install an aftercooler or air dryer, etc.
4. **If excessive carbon powder is generated, eliminate it by installing a mist separator on the upstream side of valves.**
If excessive carbon powder is generated by the compressor, it may adhere to the inside of the valves and cause a malfunction.

Refer to the Best Pneumatics for further details on compressed air quality.

Selection

⚠Warning

2. Ambient environment

Use within the allowable ambient temperature range. Check the compatibility between the product's composition materials and the ambient atmosphere. Be certain that the fluid used does not touch the external surface of the product.

3. Countermeasures against static electricity

Take measures to prevent static electricity since some fluids can cause static electricity.

4. Low temperature operation

1. The valve can be used in fluid temperatures down to -40°F. However, take measures to prevent freezing or solidification of impurities, etc.
2. When using valves for water application in cold climates, take appropriate countermeasures to prevent the water from freezing in tubing after cutting the water supply from the pump, by draining the water etc. When warming by a heater etc., be careful not to expose the coil portion to a heater. Installation of a dryer, heat retaining of the body is recommended to prevent a freezing condition in which the dew point temperature is high and the ambient temperature is low, and the high flow runs.

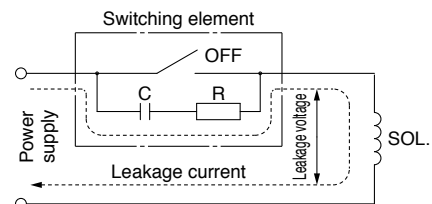
5. Fluid properties

Use a general compressed air with a filter of 5 μm or less mounted on the inlet of the piping. (Excluding dry air)

⚠Caution

1. Leakage voltage

When the solenoid valve is operated using the controller, etc., the leakage voltage should be the product allowable leakage voltage or less. Particularly when using a resistor in parallel with a switching element and using a C-R element (surge voltage suppressor) to protect the switching element, take note that leakage current will flow through the resistor, C-R element, etc., creating a possible danger that the valve may not turn off.



AC coil: 5% or less of rated voltage
DC coil: 2% or less of rated voltage



Be sure to read this before handling the products. Refer to last page for safety instructions. For 2-port solenoid valve for fluid control precautions, refer to the “Handling Precautions for SMC Products” and the “Operation Manual” on the SMC website.

Mounting

⚠Warning

1. If air leakage increases or equipment does not operate properly, stop operation.

After mounting is completed, confirm that it has been done correctly by performing a suitable function test.

2. Avoid sources of vibration, or change the fixing method to avoid resonance.

3. Painting and coating

Warnings or specifications printed or labeled on the product should not be erased, removed or covered up.

Piping

⚠Warning

1. During use, deterioration of the tube or damage to the fittings could cause tubes to come loose from their fittings and thrash about.

To prevent uncontrolled tube movement, install protective covers or fasten tubes securely in place.

2. Do not use the compression fitting of the valve to support the piping. The piping could be come out of the valve. Be sure to mount the valve to the fixed piping. (Compression fitting does not have function to hold the valve.)

⚠Caution

1. Use a steel tube for the IN and OUT piping.
2. Preparation before piping
Before piping is connected, it should be thoroughly blown out with air (flushing) or washed to remove chips, cutting oil and other debris from inside the pipe.
Install piping so that it does not apply pulling, pressing, bending or other forces on the valve body.
3. Avoid connecting ground lines to piping, as this may cause electric corrosion of the system.
4. Always tighten threads with the proper tightening torque.

When attaching fittings to valves, tighten with the proper tightening torque shown below.

Tightening Torque for Piping

Connection thread	Proper tightening torque [lb·in (N·m)]
Rc1/4	106.21 to 123.91 (12 to 14)
Rc3/8	194.72 to 212.42 (22 to 24)
Rc1/2	247.82 to 265.52 (28 to 30)
Rc3/4	247.82 to 265.52 (28 to 30)
Rc1	318.63 to 336.29 (36 to 38)
Rc1 1/2	354.03 to 371.73 (40 to 42)

Piping

⚠Caution

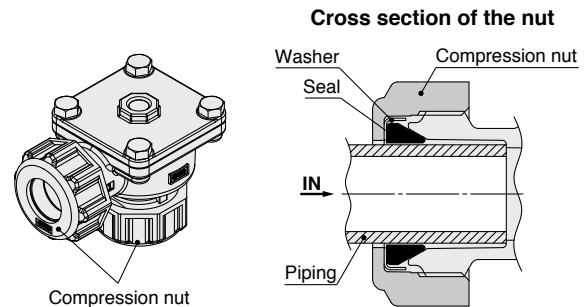
5. Tightening of the compression nut

Be sure to tighten the compressor nut sufficiently to prevent nut becoming loose and leakage occurring.

Wrench Tightening Angle after Hand-tightening (Guideline for tightening of the nut)

Size	Wrench tightening angle
3/4 (20A)	90° to 270°
1 (25A)	135° to 315°
1 1/2 (40A)	150° to 330°

- * Mount the valve to the fixed piping.
- * Insert the piping until it stops to prevent the piping from being slanted to the valve.
- * Do not expose the piping to oil or moisture. Otherwise, the valve comes off easily.
- * Sealing performance will decrease due to the deterioration of seals. Tighten the compression nut regularly.



6. When connecting piping to a product

Avoid mistakes regarding the supply port etc.

7. If a regulator, or a restrictor, is installed immediately before or after the IN port of the valve, the main valve may oscillate (chatter). Install them away from the valve or change the restriction.
8. The header tank capacity should be sufficient. This is a valve for large flow rate, so if the capacity is small, the main valve may oscillate due to pressure drop or insufficient air supply.



Be sure to read this before handling the products. Refer to last page for safety instructions. For 2-port solenoid valve for fluid control precautions, refer to the “Handling Precautions for SMC Products” and the “Operation Manual” on the SMC website.

Operating Environment

⚠Warning

1. Do not use in an atmosphere having corrosive gases, chemicals, sea water, water vapor, or where there is direct contact with any of these.
2. Do not use in explosive atmospheres.
3. Do not use in locations subject to vibration or impact.
4. Do not use in locations where radiated heat will be received from nearby heat sources.
5. Employ suitable protective measures in locations where there is contact with oil or welding spatter, etc.

Maintenance

⚠Warning

1. Removing the product

The valve becomes hot depending on the fluid temperature. Confirm that the valve temperature has dropped sufficiently before performing work. If touched inadvertently, there is a danger of being burned.

1. Shut off the fluid supply and release the fluid pressure in the system.
2. Shut off the power supply.
3. Remove the product.

2. Low frequency operation

Switch valves at least once every 30 days to prevent malfunction. Also, in order to use it under the optimum state, conduct a regular inspection once a half year.

3. Disassembly

Do not disassemble for purposes other than the main valve replacement, or malfunction may occur.

Refer to the Disassembly/Assembly Procedure on page 8 for the replacement of the main valve.

⚠Caution

1. Filters

1. Be careful regarding clogging of filters.
2. Replace filter elements after one year of use, or earlier if the pressure drop reaches 14.5 psi (0.1 MPa).

2. Storage

In case of long term storage after use, thoroughly remove all moisture to prevent rust and deterioration of rubber materials etc.

3. Exhaust the drainage from an air filter periodically.

Appearance

⚠Caution

1. Surface treatment is applied to the product to improve corrosion resistance. There may be spot pattern on the surface depending on the treatment condition, but there is no problem in use.

**Dedicated Controller for Operation
VXFC Series**

Wiring

⚠Warning

1. The controller starts its output the moment the power switch is turned ON. Be aware that even if the power switch is turned OFF, power is connected to the terminal block.

⚠Caution

1. Make sure that the power supply voltage to be input matches the voltage in the controller’s specifications. The power supply voltage that has been input becomes the voltage that is output to the solenoid valves.
2. Connect a ground that is rated Class 3 or greater to the power supply terminal block’s FG.
3. If the power source is DC, use caution to its polarity. If the polarity is incorrect, it may result in a malfunction or damage.
4. For details, refer to the separate Operation Manual.
5. The solenoid valve mounted on the controller should be equipped with a surge voltage suppressor.

Operating Environment

⚠Warning

1. Operate under conditions that are free of vibration and impact.
2. Operate in an ambient temperature range between 32°F and 122°F (0°C and 50°C).
3. Operate in an ambient humidity range between 45% to 80% (no condensation allowed).



These safety instructions are intended to prevent hazardous situations and/or equipment damage. These instructions indicate the level of potential hazard with the labels of “*Caution*,” “*Warning*” or “*Danger*.” They are all important notes for safety and must be followed in addition to International Standards (ISO/IEC)*1), and other safety regulations.

- Caution:** Caution indicates a hazard with a low level of risk which, if not avoided, could result in minor or moderate injury.
- Warning:** Warning indicates a hazard with a medium level of risk which, if not avoided, could result in death or serious injury.
- Danger:** Danger indicates a hazard with a high level of risk which, if not avoided, will result in death or serious injury.

*1) ISO 4414: Pneumatic fluid power – General rules relating to systems.
 ISO 4413: Hydraulic fluid power – General rules relating to systems.
 IEC 60204-1: Safety of machinery – Electrical equipment of machines.
 (Part 1: General requirements)
 ISO 10218-1: Manipulating industrial robots – Safety.
 etc.

Warning

- 1. The compatibility of the product is the responsibility of the person who designs the equipment or decides its specifications.**
 Since the product specified here is used under various operating conditions, its compatibility with specific equipment must be decided by the person who designs the equipment or decides its specifications based on necessary analysis and test results. The expected performance and safety assurance of the equipment will be the responsibility of the person who has determined its compatibility with the product. This person should also continuously review all specifications of the product referring to its latest catalog information, with a view to giving due consideration to any possibility of equipment failure when configuring the equipment.
- 2. Only personnel with appropriate training should operate machinery and equipment.**
 The product specified here may become unsafe if handled incorrectly. The assembly, operation and maintenance of machines or equipment including our products must be performed by an operator who is appropriately trained and experienced.
- 3. Do not service or attempt to remove product and machinery/equipment until safety is confirmed.**
 1. The inspection and maintenance of machinery/equipment should only be performed after measures to prevent falling or runaway of the driven objects have been confirmed.
 2. When the product is to be removed, confirm that the safety measures as mentioned above are implemented and the power from any appropriate source is cut, and read and understand the specific product precautions of all relevant products carefully.
 3. Before machinery/equipment is restarted, take measures to prevent unexpected operation and malfunction.
- 4. Contact SMC beforehand and take special consideration of safety measures if the product is to be used in any of the following conditions.**
 1. Conditions and environments outside of the given specifications, or use outdoors or in a place exposed to direct sunlight.
 2. Installation on equipment in conjunction with atomic energy, railways, air navigation, space, shipping, vehicles, military, medical treatment, combustion and recreation, or equipment in contact with food and beverages, emergency stop circuits, clutch and brake circuits in press applications, safety equipment or other applications unsuitable for the standard specifications described in the product catalog.
 3. An application which could have negative effects on people, property, or animals requiring special safety analysis.
 4. Use in an interlock circuit, which requires the provision of double interlock for possible failure by using a mechanical protective function, and periodical checks to confirm proper operation.

Caution

- 1. The product is provided for use in manufacturing industries.**
 The product herein described is basically provided for peaceful use in manufacturing industries.
 If considering using the product in other industries, consult SMC beforehand and exchange specifications or a contract if necessary.
 If anything is unclear, contact your nearest sales branch.

Limited warranty and Disclaimer/ Compliance Requirements
 The product used is subject to the following “Limited warranty and Disclaimer” and “Compliance Requirements”.
 Read and accept them before using the product.

Limited warranty and Disclaimer

1. The warranty period of the product is 1 year in service or 1.5 years after the product is delivered, whichever is first.*2)
 Also, the product may have specified durability, running distance or replacement parts. Please consult your nearest sales branch.
2. For any failure or damage reported within the warranty period which is clearly our responsibility, a replacement product or necessary parts will be provided.
 This limited warranty applies only to our product independently, and not to any other damage incurred due to the failure of the product.
3. Prior to using SMC products, please read and understand the warranty terms and disclaimers noted in the specified catalog for the particular products.
 *2) **Vacuum pads are excluded from this 1 year warranty.**
 A vacuum pad is a consumable part, so it is warranted for a year after it is delivered.
 Also, even within the warranty period, the wear of a product due to the use of the vacuum pad or failure due to the deterioration of rubber material are not covered by the limited warranty.

Compliance Requirements

1. The use of SMC products with production equipment for the manufacture of weapons of mass destruction (WMD) or any other weapon is strictly prohibited.
2. The exports of SMC products or technology from one country to another are governed by the relevant security laws and regulations of the countries involved in the transaction. Prior to the shipment of a SMC product to another country, assure that all local rules governing that export are known and followed.

Caution

SMC products are not intended for use as instruments for legal metrology.
 Measurement instruments that SMC manufactures or sells have not been qualified by type approval tests relevant to the metrology (measurement) laws of each country. Therefore, SMC products cannot be used for business or certification ordained by the metrology (measurement) laws of each country.

Safety Instructions Be sure to read the “Handling Precautions for SMC Products” (M-E03-3) and “Operation Manual” before use.

Global Manufacturing, Distribution and Service Network

Worldwide Subsidiaries

EUROPE

AUSTRIA
SMC Pneumatik GmbH (Austria)

BELGIUM
SMC Pneumatics N.V./S.A.

BULGARIA
SMC Industrial Automation Bulgaria EOOD

CROATIA
SMC Industrijska Automatika d.o.o.

CZECH REPUBLIC
SMC Industrial Automation CZ s.r.o.

DENMARK
SMC Pneumatik A/S

ESTONIA
SMC Pneumatics Estonia

FINLAND
SMC Pneumatics Finland OY

FRANCE
SMC Pneumatique S.A.

GERMANY
SMC Pneumatik GmbH

GREECE
SMC Hellas EPE

HUNGARY
SMC Hungary Ipari Automatizálási Kft.

IRELAND
SMC Pneumatics (Ireland) Ltd.

ITALY
SMC Italia S.p.A.

KAZAKHSTAN
LLP "SMC Kazakhstan"

LATVIA
SMC Pneumatics Latvia SIA

LITHUANIA
UAB "SMC Pneumatics"

NETHERLANDS
SMC Pneumatics B.V.

NORWAY
SMC Pneumatics Norway AS

POLAND
SMC Industrial Automation Polska Sp. z o.o.

ROMANIA
SMC Romania S.r.l.

RUSSIA
SMC Pneumatik LLC.

SLOVAKIA
SMC Priemyselná Automatizácia, Spol s.r.o.

SLOVENIA
SMC Industrijska Avtomatika d.o.o.

SPAIN / PORTUGAL
SMC España, S.A.

SWEDEN
SMC Pneumatics Sweden AB

SWITZERLAND
SMC Pneumatik AG

TURKEY
SMC Pnömatik Sanayi Ticaret ve Servis A.Ş.

UK
SMC Pneumatics (U.K.) Ltd.

ASIA / OCEANIA

AUSTRALIA
SMC Pneumatics (Australia) Pty. Ltd.

CHINA
SMC (China) Co., Ltd.
SMC Pneumatics (Guangzhou) Ltd.

HONG KONG
SMC Pneumatics (Hong kong) Ltd.

INDIA
SMC Pneumatics (India) Pvt. Ltd.

INDONESIA
PT. SMC Pneumatics Indonesia

JAPAN
SMC Corporation

MALAYSIA
SMC Pneumatics (S.E.A.) Sdn. Bhd.

NEW ZEALAND
SMC Pneumatics (N.Z.) Ltd.

PHILIPPINES
Shoketsu SMC Corporation

SINGAPORE
SMC Pneumatics (S.E.A.) Pte. Ltd.

SOUTH KOREA
SMC Pneumatics Korea Co., Ltd.

TAIWAN
SMC Pneumatics (Taiwan) Co., Ltd.

THAILAND
SMC (Thailand) Ltd.

UNITED ARAB EMIRATES
SMC Pneumatics Middle East FZE

VIETNAM
SMC Pneumatics (VN) Co., Ltd

AFRICA

SOUTH AFRICA
SMC Pneumatics (South Africa) Pty Ltd

NORTH, CENTRAL & SOUTH AMERICA

ARGENTINA
SMC Argentina S.A.

BOLIVIA
SMC Pneumatics Bolivia S.R.L.

BRAZIL
SMC Pneumáticos do Brasil Ltda.

CANADA
SMC Pneumatics (Canada) Ltd.

CHILE
SMC Pneumatics (Chile) S.A.

COLOMBIA
SMC Colombia Sucursal de SMC Chile, S.A.

MEXICO
SMC Corporation (Mexico) S.A. de C.V.

PERU
SMC Corporation Peru S.A.C.

USA
SMC Corporation of America

VENEZUELA
SMC Neumatica Venezuela S.A.

U.S. & Canadian Sales Offices

WEST

Austin
Dallas
Los Angeles
Phoenix
Portland
San Jose

CENTRAL



Chicago
Cincinnati
Cleveland
Detroit
Des Moines
Grand Rapids
Indianapolis
Kansas City
Milwaukee
Minneapolis
St. Louis

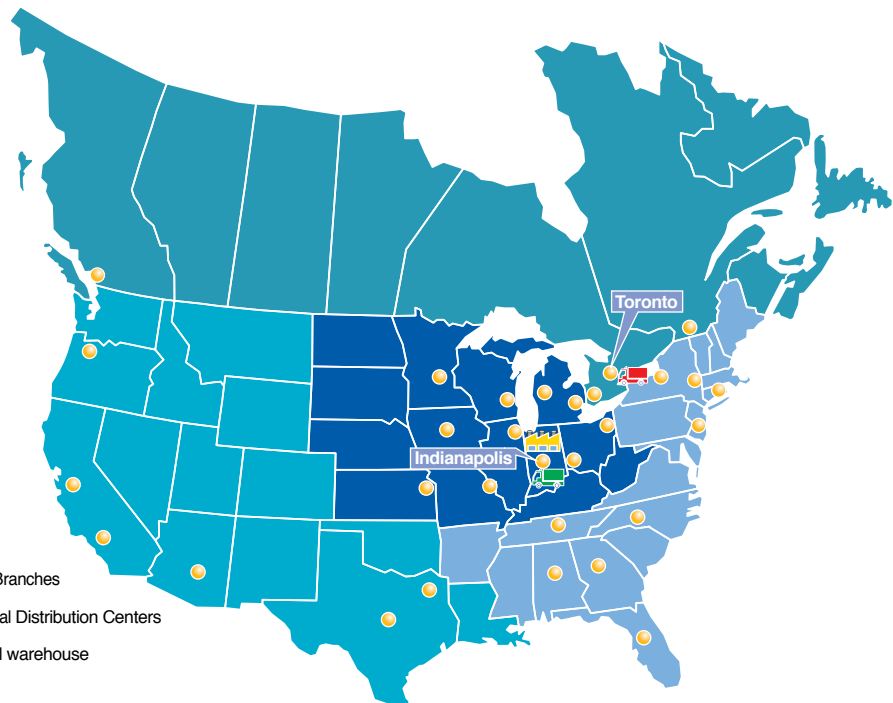
EAST

Albany
Atlanta
Birmingham
Boston
Charlotte
Knoxville
Nashville
New Jersey
Rochester
Tampa

CANADA

Vancouver
Toronto
Windsor
Montreal

● Sales Branches
 Regional Distribution Centers
 Central warehouse



o o o o e c
 s c s co
 e cs
 s c e CS C
 s es s c s co
 s c o co

