



Circulating Fluid Temperature Controller Thermo-chiller/Rack Mount Type

With Feet/Without Rack Mounting
Brackets Specification

New

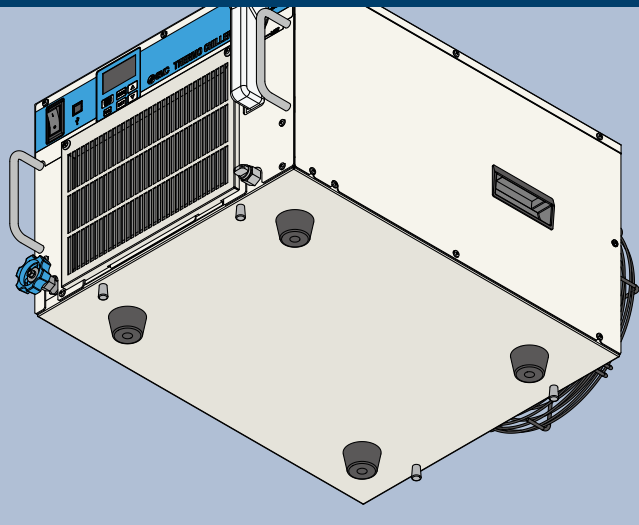


Can be installed in locations other than racks

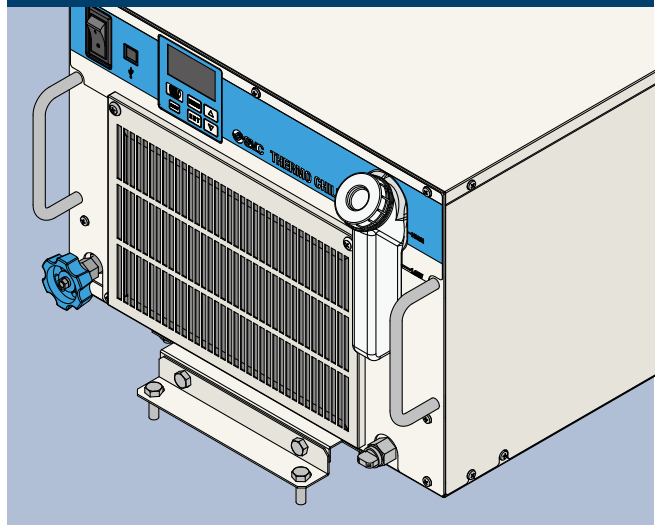
Air-cooled Refrigeration Water-cooled Refrigeration



With feet



Anti-quake brackets (Optional accessory) added



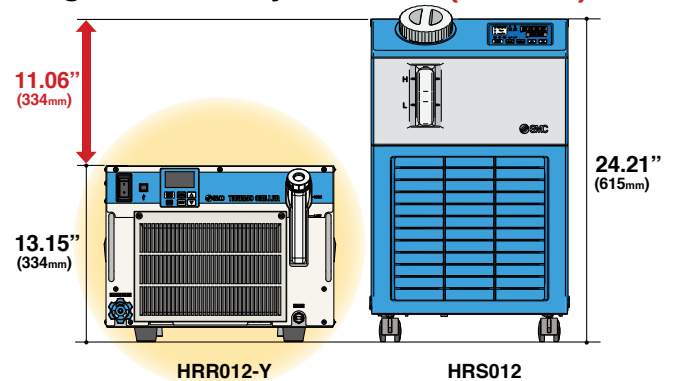
Front Access

Simple to control, service, and maintain with all filters and drainage accessible via the front panel



Space Saving

Height reduced by **11.06" (281mm)**



HRR Series

NF18-21A

How to Order

Air-cooled Refrigeration

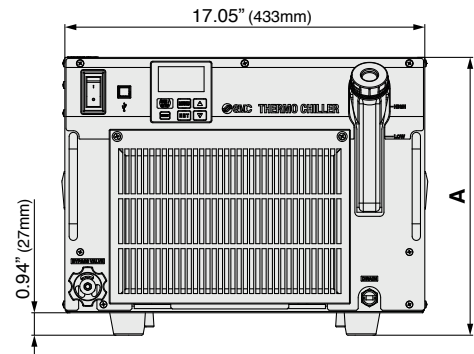
HRR - A - 20 - Y

Water-cooled Refrigeration

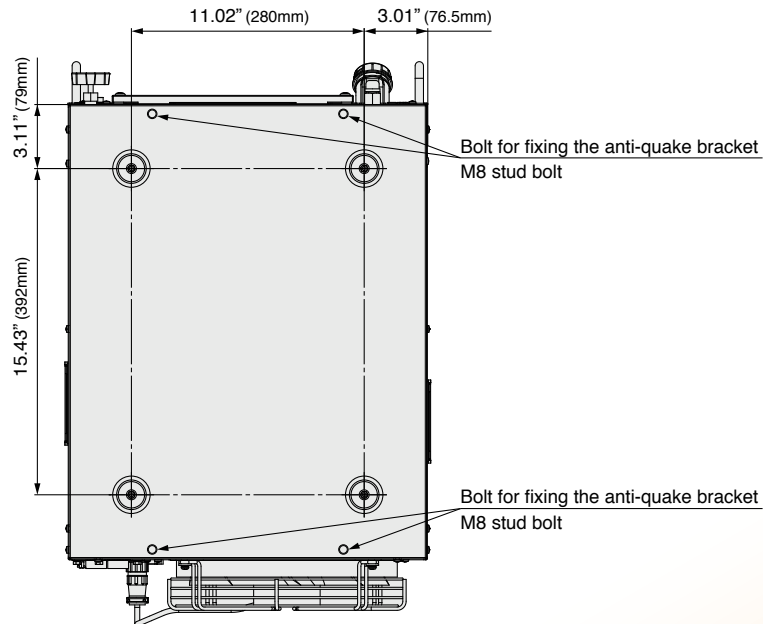
HRR - W - 20 - UY

• With feet/without rack mounting brackets

Dimensions



Model	Dimension
	A
HRR012/018-□-20-□Y	13.15" (334mm)
HRR024/030-□-20-□Y	16.65" (423mm)



For details, refer to the HRR series in the **Web Catalog**.