

ETL500 Pump Head



FLOW 0 - 3000 ml/min



HYDRAULIC DATA*

Tube bore (ID mm)	ML / REV**	100 RPM	400 RPM	600 RPM (interm. only)
0.5	0.025	2.5	10	15
0.8	0.07	7	30	50
1.6	0.3	30	120	180
3.2	1.00	100	400	600
4.8	2.10	210	840	1260
6.4	3.60	360	1440	2160
8.0	5.30	530	2120	3180

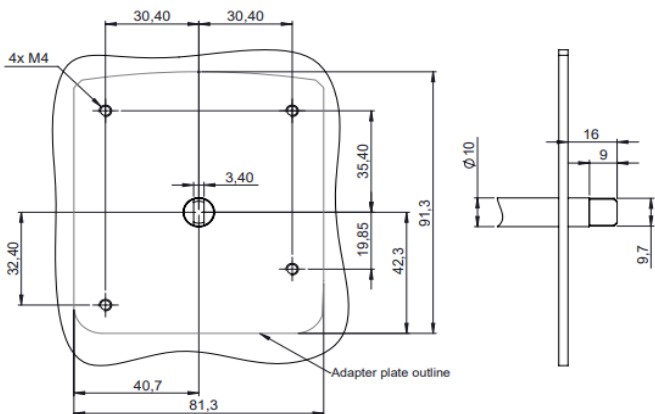
* Approximate values at free flow with Pharm-A-Clear® tubing and 3 roller configuration.
 ** Values calculated from 100 RPM.

GENERAL DATA

Pump type	Single-channel peristaltic pump
Max. torque required*	300 mNm
Media temperature	5 - 80 °C
Ambient temperature	10 - 45 °C
Storage temperature	-30 to +70 °C
Max. motor speed continuous operation	400 rpm
Max. motor speed intermittent operation	600 rpm
Max. continuous system pressure	2 bar
Max. vacuum	95%
Weight	400 g

* Measured with PHI-8.0X1.6 tube, 600 rpm, 1.3 bar, starting torque can be up to 2x the mean value stated above, torques for other scenarios available on request.

DIMENSIONAL DRAWING



MODEL KEY

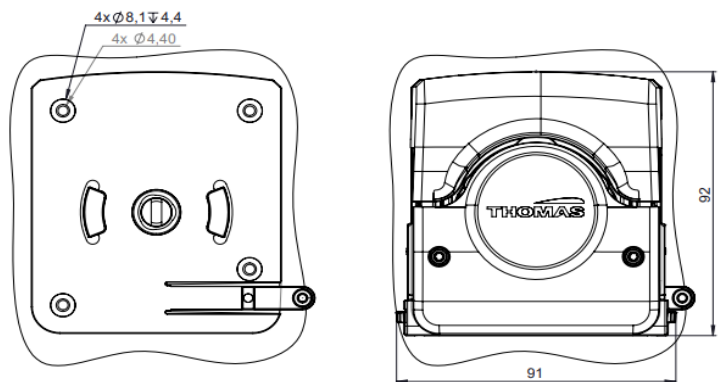
Pos	Options	Description
1	ETL500	Product Line
2	F	Fluid / liquid
3	0 / 1	Tubing: without tubing (0), with tubing (1)
4	AT / FT	Adjustable Tube Holders, Fixed Tube Holders
5	16 / 24	Designed for tube wall thickness 1,6 mm (16) or 2,4 mm (24)
6	NA / 0	Nominal Voltage NA = Not Applicable: nominal input voltage depends on control board; control board not included / 0 = pump head only
7	ST / 0	Stepper Motor / 0 = pump head only
8	0600 / 0	Motor speed: 0-600 rpm stepper motor (external control board required) / 0 = pump head only
9	AP / 0	Adapter Plate included / 0 = no adapter plate
10	MP / 0	Mounting Plate included / 0 = no mounting plate
11	3 / 4	Number of rollers: 3 rollers or 4 rollers
12	LT / MT / ST / LST	Occlusion setting for tube specification: Large Tubing (PHI-8.0X1.6, PHI-6.4X1.6, PHI-4.8X1.6, PLTS-LH-4.8X1.6) Large Silicone Tubing (PLTS-LH-8.0x1.6, PLTS-LH-6.4x1.6) Medium Tubing (PHI-3.2X1.6, PHI-1.6X1.6, PLTS-LH-3.2X1.6, PLTS-LH-1.6X1.6) Small Tubing (PHI-0.8X1.6, PHI-0.5X1.6, PLTS-LH-0.8x1.6, PLTS-LH-0.5x1.6)

ORDER INFORMATION

Part Number	Model Key
59997420	ETL500-F-0-AT-16-0-0-0-AP-0-3-ST
59997430	ETL500-F-0-AT-16-0-0-0-AP-0-4-ST
59997440	ETL500-F-0-AT-16-0-0-0-AP-0-3-MT
59997450	ETL500-F-0-AT-16-0-0-0-AP-0-4-MT
59997460	ETL500-F-0-AT-16-0-0-0-AP-0-3-LT
59997470	ETL500-F-0-AT-16-0-0-0-AP-0-4-LT
59997480	ETL500-F-0-AT-16-0-0-0-AP-0-3-LST
59997490	ETL500-F-0-AT-16-0-0-0-AP-0-4-LST
Other configurations	Upon request
To order call	(714) 312-5531
Or go online @	https://www.usathomas.com/

OPTIONS

Fixed tube setting (no adjustment wheel)
Custom colors
Pump model for thick wall (2.4 mm) tubing
Lid opening sensor
Custom occlusion setting based on customer specification



The information presented in this material is based on technical data and test results of nominal units. It is believed to be accurate and reliable and is offered as an aid to help in the selection of Thomas products. It is the responsibility of the user to determine the suitability of the product for the intended use and the user assumes all risk and liability whatsoever in connection therewith. Thomas does not warrant, guarantee or assume any obligation or liability in connection with this information.