

Compact Cylinder

ø12, ø16, ø20, ø25, ø32, ø40, ø50, ø63, ø80, ø100

RoHS

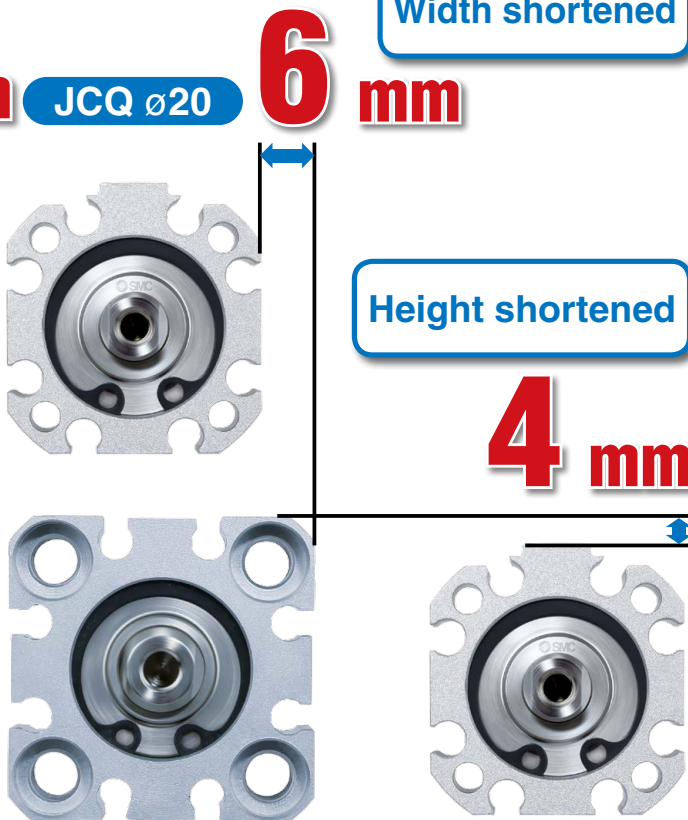
Compact

New An *axial foot type* and a *flange type* have been added. (ø32 to ø100)



Overall length shortened

Width shortened



Existing model ø20 (CDQS series)

Existing model ø20 (CDQS series)

JCQ ø20

Max. **Weight 46% lighter**

382 g → 204 g
(Compared with the existing CDQ2 series, ø32, 10 mm stroke, flange mounting)



JCQ Series



Lightweight and compact

Weight comparison using a single cylinder unit

(Compared with the existing model) [mm]

Bore size	CDQS/CDQ2		JCDQ
∅12	Weight 43 g 	33% weight reduction 24% volume reduction	Weight 29 g
∅16	Weight 57 g 	35% weight reduction 23% volume reduction	Weight 37 g
∅20	Weight 106 g 	42% weight reduction 40% volume reduction	Weight 61 g
∅25	Weight 150 g 	45% weight reduction 40% volume reduction	Weight 82 g
*1 ∅32	Weight 202 g 	33% weight reduction 35% volume reduction	Weight 135 g
*1 ∅40	Weight 290 g 	31% weight reduction 35% volume reduction	Weight 201 g
*1 ∅50	Weight 455 g 	27% weight reduction 28% volume reduction	Weight 332 g
*1 ∅63	Weight 627 g 	18% weight reduction 29% volume reduction	Weight 513 g
*1 ∅80	Weight 1162 g 	17% weight reduction 26% volume reduction	Weight 961 g
*1 ∅100	Weight 1966 g 	24% weight reduction 26% volume reduction	Weight 1490 g

*1 For the CDQ2 series * Weight compared at a 10 mm stroke * For built-in magnet cylinders

Lightweight and compact

■ Weight comparison between cylinders with a bracket

Flange bracket

Weight: Max. **46%** reduction

Weight comparison (When mounted on the cylinder, 10 mm stroke, rod flange) [g]

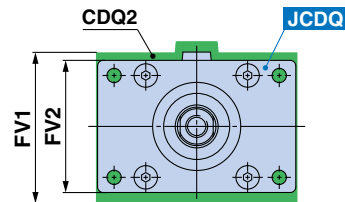
Bore size [mm]	CDQ2	JCDQ	Weight difference	Reduction rate [%]
ø32	382	204	178	46
ø40	504	281	223	44
ø50	828	461	367	44
ø63	1186	740	446	38
ø80	2218	1384	834	38
ø100	3331	2148	1183	36



Height: Max. **13%** reduction

Dimension comparison (When mounted on the cylinder) [mm]

Bore size	Height			
	CDQ2: FV1	JCDQ: FV2	Reduction	Reduction rate [%]
ø32	48	42	6	13
ø40	54	48	6	11
ø50	67	60	7	10
ø63	80	70	10	13
ø80	99	90	9	9
ø100	117	110	7	6

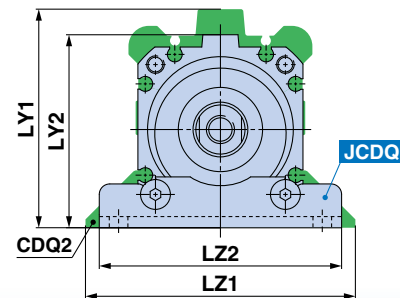


Foot bracket

Weight: Max. **27%** reduction

Weight comparison (When mounted on the cylinder, 10 mm stroke) [g]

Bore size [mm]	CDQ2	JCDQ	Weight difference	Reduction rate [%]
ø32	322	236	86	27
ø40	428	311	117	27
ø50	674	513	161	24
ø63	924	814	110	12
ø80	1751	1547	204	12
ø100	2934	2270	664	23



Width: Max. **12%** reduction, Height: **14%** reduction

Dimension comparison (When mounted on the cylinder) [mm]

Bore size	Width				Height			
	CDQ2: LZ1	JCDQ: LZ2	Reduction	Reduction rate [%]	CDQ2: LY1	JCDQ: LY2	Reduction	Reduction rate [%]
ø32	71	64	7	10	57	49	8	14
ø40	78	69	9	12	64	56	8	13
ø50	95	90	5	5	78	71	7	9
ø63	113	100	13	12	91.5	83.5	8	9
ø80	140	136	4	3	114	107.5	6.5	6
ø100	162	160	2	1	136	127.5	8.5	6

CONTENTS

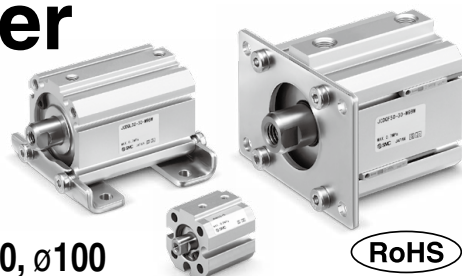
How to Order.....	p. 3	Made to Order	p. 14
Specifications	p. 4	Related Product	p. 15
Dimensions	p. 8	Specific Product Precautions	p. 16
Auto Switch Mounting	p. 12	Safety Instructions	Back cover
Prior to Use: Auto Switch Connections and Examples ...	p. 13		

Compact Cylinder

Double Acting, Single Rod

JCQ Series

ø12, ø16, ø20, ø25, ø32, ø40, ø50, ø63, ø80, ø100



RoHS

How to Order

Without auto switch **JCQ** [] [] [] - **30** - []

With auto switch **JCDQ** [] [] [] - **30** - **L** - **M9BW** [] - []

With magnet for auto switch •

Mounting •

Nil	Through-hole (Standard)	ø12 to ø100
A	Both ends tapped	
L	Axial foot	ø32 to ø100
F	Rod flange	
G	Head flange	

* For the cylinder for the axial foot type or the rod flange type mounting bracket, the cylinder rod protrusion dimensions (Dimensions L and L₁) vary from those of the standard cylinder. When ordering only the cylinder, refer to the cylinder for the foot type or the rod flange type mounting bracket (-XC103) on page 14.

Bore size •

12	12 mm
16	16 mm
20	20 mm
25	25 mm
32	32 mm
40	40 mm
50	50 mm
63	63 mm
80	80 mm
100	100 mm

Port thread type •

Nil	M thread	ø12 to ø40
	Rc	
TN	NPT	ø50 to ø100
TF	G	

Auto switch

Nil	Without auto switch
-----	---------------------

* For applicable auto switches, refer to the table below.

Mounting bolt

Nil	None
L	Shipped with the product

* A mounting bolt is shipped with the product only when the mounting symbol is Nil (through-hole).
* For details on mounting bolt sizes, refer to page 7.
* The mounting bolt is shipped with the product.

Cylinder stroke [mm]
Refer to page 4 for standard strokes.

Number of auto switches

Nil	2
S	1
n	n

Made to order
(For details, refer to page 4.)

Applicable Auto Switches/Refer to the Web Catalog for further information on auto switches.

Type	Special function	Electrical entry	Indicator/light	Wiring (Output)	Load voltage		Auto switch model		Lead wire length [m]					Pre-wired connector	Applicable load	
					DC	AC	Perpendicular	In-line	0.5 (Nil)	1 (M)	3 (L)	5 (Z)	None (N)		Relay, PLC	IC circuit
Solid state auto switch	—	Grommet	Yes	3-wire (NPN)	24 V	—	M9NV	M9N	●	●	●	○	—	○		
				3-wire (PNP)					●	●	●	○	—	○		
				2-wire					●	●	●	○	—	○		
				3-wire (NPN)					●	●	●	○	—	○	IC circuit	
				3-wire (PNP)					●	●	●	○	—	○		
				2-wire					●	●	●	○	—	○		
	Diagnostic indication (2-color indicator)	Grommet	Yes	3-wire (NPN)	24 V	—	M9NWV	M9NW	●	●	●	○	—	○	IC circuit	
				3-wire (PNP)					●	●	●	○	—	○		
				2-wire					●	●	●	○	—	○		
				3-wire (NPN)					●	●	●	○	—	○		IC circuit
				3-wire (PNP)					●	●	●	○	—	○		
				2-wire					●	●	●	○	—	○		
Water resistant (2-color indicator)	Grommet	Yes	3-wire (NPN)	24 V	—	M9NAV*1	M9NA*1	○	○	●	○	—	○	IC circuit		
			3-wire (PNP)					○	○	●	○	—	○			
			2-wire					○	○	●	○	—	○			
			3-wire (NPN)					○	○	●	○	—	○		IC circuit	
			3-wire (PNP)					○	○	●	○	—	○			
			2-wire					○	○	●	○	—	○			

*1 Water-resistant type auto switches can be mounted on the above models, but SMC cannot guarantee water resistance. Please contact SMC regarding water-resistant types with the above model numbers.

* Lead wire length symbols: 0.5 m.....Nil (Example) M9NW
1 m.....M (Example) M9NWM
3 m.....L (Example) M9NWL
5 m.....Z (Example) M9NWL

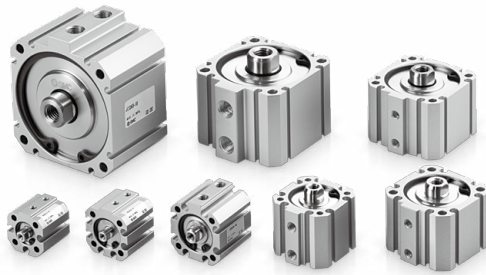
* Solid state auto switches marked with a "○" are produced upon receipt of order.

* For details on auto switches with pre-wired connectors, refer to the Web Catalog.

* Auto switches are shipped together with the product but do not come assembled.

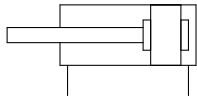
Compact Cylinder *JCQ Series*

Double Acting, Single Rod



Symbol

Rubber bumper



Made to Order
(For details, refer to page 14.)

-XC103 Cylinder for the foot type or the rod flange type mounting bracket

Specifications

Bore size [mm]	12	16	20	25	32	40	50	63	80	100
Action	Double acting, Single rod									
Fluid	Air									
Proof pressure	1.0 MPa									
Max. operating pressure	0.7 MPa*2									
Min. operating pressure	0.07 MPa		0.05 MPa							
Ambient and fluid temperatures	5 to 60°C									
Lubrication	Not required (Non-lube)									
Piston speed*3	50 to 500 mm/s*2					50 to 300 mm/s*2				
Cushion	Rubber bumper									
Allowable kinetic energy [J]	0.022	0.038	0.055	0.09	0.15	0.26	0.46	0.77	1.36	2.27
Rod end thread	Female thread									
Stroke length tolerance	+1.3 mm*1 0									

*1 Stroke length tolerance does not include the deflection of the bumper.

*2 Max. operating pressure and piston speed are different from those of the existing model (CQ2 series).

*3 Depending on the system configuration selected, the specified speed may not be satisfied.

Standard Strokes

* When using with auto switches, refer to the Minimum Stroke for Auto Switch Mounting table on page 12.

Bore size [mm]	Standard stroke [mm]
12, 16	5, 10, 15, 20, 25, 30
20, 25, 32, 40	5, 10, 15, 20, 25, 30, 35, 40, 45, 50
50, 63, 80, 100	10, 15, 20, 25, 30, 35, 40, 45, 50

* Intermediate strokes are available as a special order.

Mounting Brackets/Part Nos.

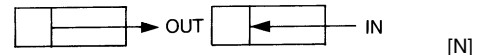
Mounting bracket	Min. order quantity	Bore size [mm]						Contents
		32	40	50	63	80	100	
Foot bracket*1	2	JCQ-L032	JCQ-L040	JCQ-L050	JCQ-L063	JCQ-L080	JCQ-L100	1 foot bracket, 2 hexagon socket head cap screws
Flange bracket	1	JCQ-F032	JCQ-F040	JCQ-F050	JCQ-F063	JCQ-F080	JCQ-F100	1 flange bracket, 4 hexagon socket head cap screws

*1 Order 2 pieces per cylinder.

Mounting Brackets/Material, Surface Treatment

Segment	Description	Material	Surface treatment
Mounting brackets	Foot bracket	Carbon steel	Zinc chromating
	Flange bracket	Carbon steel	Zinc chromating

Theoretical Output



Refer to page 12 for cylinders with auto switches.

- Auto Switch Proper Mounting Position (detection at stroke end) and Mounting Height
- Minimum Stroke for Auto Switch Mounting
- Operating Range
- Auto Switch Mounting

Bore size [mm]	Rod size [mm]	Operating direction	Piston area [mm ²]	Operating pressure [MPa]					
				0.2	0.3	0.4	0.5	0.6	0.7
12	6	OUT	113	23	34	45	57	68	79
		IN	85	17	25	34	42	51	59
16	6	OUT	201	40	60	80	101	121	141
		IN	173	35	52	69	86	104	121
20	8	OUT	314	63	94	126	157	188	220
		IN	264	53	79	106	132	158	185
25	10	OUT	491	98	147	196	245	295	344
		IN	412	82	124	165	206	247	289
32	12	OUT	804	161	241	322	402	483	563
		IN	691	138	207	276	346	415	484
40	14	OUT	1257	251	377	503	628	754	880
		IN	1103	221	331	441	551	662	772
50	18	OUT	1963	393	589	785	982	1178	1374
		IN	1709	342	513	684	855	1025	1196
63	18	OUT	3117	623	935	1247	1559	1870	2182
		IN	2863	573	859	1145	1431	1718	2004
80	22	OUT	5027	1005	1508	2011	2513	3016	3519
		IN	4646	929	1394	1859	2323	2788	3252
100	26	OUT	7854	1571	2356	3142	3927	4712	5498
		IN	7323	1465	2197	2929	3662	4394	5126

Allowable Kinetic Energy

Load Mass and Piston Speed

Bore size [mm]	12	16	20	25	32	40	50	63
Standard/ Allowable kinetic energy: E _a	0.022	0.038	0.055	0.09	0.15	0.26	0.46	0.77

$$\text{Kinetic energy } E \text{ [J]} = \frac{(m_1 + m_2) V^2}{2}$$

m₁: Mass of cylinder moving parts kg

m₂: Load mass kg

V: Piston speed m/s

Mass of Cylinder Moving Parts:

Without Magnet for Auto Switch

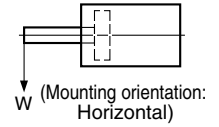
Bore size [mm]	Cylinder stroke [mm]									
	5	10	15	20	25	30	35	40	45	50
12	5	6	7	8	9	10	—	—	—	—
16	5	6	7	9	10	11	—	—	—	—
20	9	11	13	15	17	19	21	23	25	27
25	15	18	21	24	27	30	33	37	40	43
32	27	32	36	41	45	50	54	59	63	67
40	42	48	54	60	66	73	79	85	91	97
50	—	91	101	111	121	131	141	151	161	171
63	—	130	140	150	159	169	179	189	199	209
80	—	240	255	270	285	300	315	329	344	359
100	—	426	446	467	488	509	530	551	572	592

Mass of Cylinder Moving Parts:

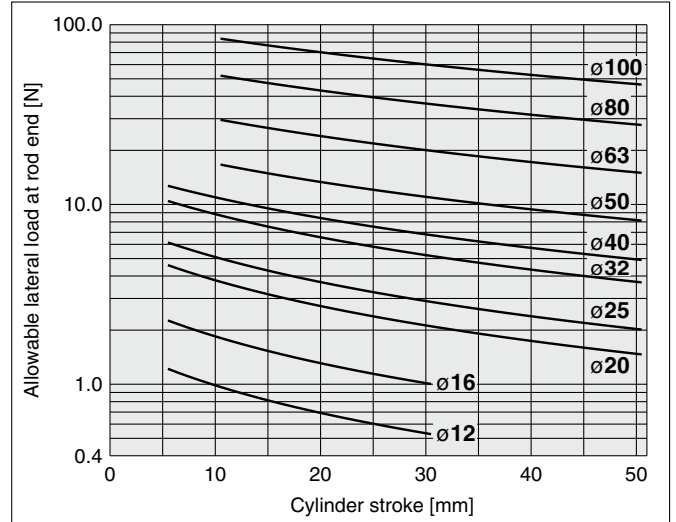
With Magnet for Auto Switch

Bore size [mm]	Cylinder stroke [mm]									
	5	10	15	20	25	30	35	40	45	50
12	6	7	8	9	10	11	—	—	—	—
16	7	8	9	10	11	12	—	—	—	—
20	16	17	19	21	23	25	27	29	31	33
25	25	28	31	34	37	40	43	46	49	53
32	43	48	52	57	61	66	70	75	79	83
40	69	75	81	87	93	99	105	111	117	123
50	—	127	137	147	157	167	177	187	197	207
63	—	180	190	200	210	220	230	240	250	260
80	—	329	344	359	374	389	404	419	433	448
100	—	545	565	586	607	628	649	670	690	711

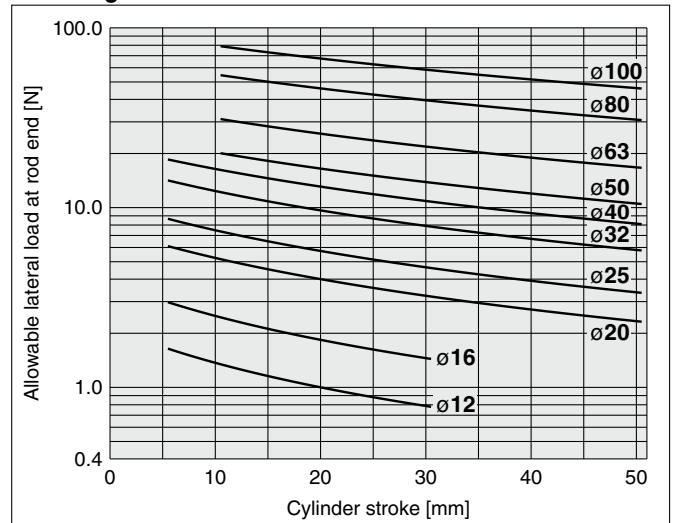
Allowable Lateral Load at Rod End



Without Magnet for Auto Switch



With Magnet for Auto Switch



Weight

Without Magnet for Auto Switch

[g]

Bore size [mm]	Cylinder stroke [mm]									
	5	10	15	20	25	30	35	40	45	50
12	21	25	30	35	39	44	—	—	—	—
16	28	33	38	43	49	54	—	—	—	—
20	40	47	55	62	69	77	84	91	99	106
25	55	64	73	83	92	101	110	119	128	138
32	94	108	121	135	148	162	175	189	202	215
40	145	161	177	194	210	226	243	259	275	292
50	—	284	309	334	359	384	410	435	460	485
63	—	452	483	514	545	576	606	637	668	699
80	—	850	899	948	997	1046	1095	1144	1193	1242
100	—	1348	1407	1465	1524	1582	1641	1700	1758	1817

With Magnet for Auto Switch

[g]

Bore size [mm]	Cylinder stroke [mm]									
	5	10	15	20	25	30	35	40	45	50
12	25	29	34	38	43	48	—	—	—	—
16	32	37	43	48	53	58	—	—	—	—
20	53	61	68	75	83	90	98	105	112	120
25	73	82	91	100	109	119	128	137	146	155
32	122	135	149	162	176	189	203	216	230	243
40	184	201	217	233	250	266	282	299	315	331
50	—	332	357	383	408	433	458	483	508	533
63	—	513	544	575	606	637	667	698	729	760
80	—	961	1010	1059	1109	1158	1207	1256	1305	1354
100	—	1490	1549	1608	1666	1725	1783	1842	1901	1959

[g]

Bore size [mm]		32	40	50	63	80	100
Additional weight for mounting bracket	Axial foot	51	55	90	150	293	390
	Rod flange	69	80	129	227	423	658
	Head flange	65	74	119	217	408	637

Calculation Example: **JCDQL50-30**

- Basic weight 433 (With auto switch magnet, ø50, 30 mm stroke)
- Foot bracket (2 pcs.) ... 90 x 2

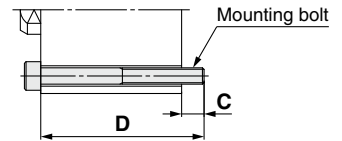
433 + (90 x 2) = **613 g**

Mounting Bolt for JCQ

Mounting method: Through-hole type mounting bolts are available. Refer to the following for ordering procedures. Order the actual number of bolts that will be used.

Example) CQ-M3 x 25L 4 pcs.

Material: Chromium molybdenum steel
Surface treatment: Zinc chromating



Without Magnet for Auto Switch

Cylinder model	C	D	Mounting bolt part no.
JCQ12-5	4	25	CQ-M3 x 25L
-10		30	x 30L
-15		35	x 35L
-20		40	x 40L
-25		45	x 45L
-30		50	x 50L
JCQ16-5	8	30	CQ-M3 x 30L
-10		35	x 35L
-15		40	x 40L
-20		45	x 45L
-25		50	x 50L
-30		55	x 55L
JCQ20-5	7.5	30	CQ-M3 x 30L
-10		35	x 35L
-15		40	x 40L
-20		45	x 45L
-25		50	x 50L
-30		55	x 55L
-35		60	x 60L
-40		65	x 65L
-45		70	x 70L
-50		75	x 75L
JCQ25-5	6	30	CQ-M3 x 30L
-10		35	x 35L
-15		40	x 40L
-20		45	x 45L
-25		50	x 50L
-30		55	x 55L
-35		60	x 60L
-40		65	x 65L
-45		70	x 70L
-50		75	x 75L

Cylinder model	C	D	Mounting bolt part no.
JCQ32-5	9	35	CQ-M4 x 35L
-10		40	x 40L
-15		45	x 45L
-20		50	x 50L
-25		55	x 55L
-30		60	x 60L
-35		65	x 65L
-40		70	x 70L
-45		75	x 75L
-50		80	x 80L
JCQ40-5	10	40	CQ-M4 x 40L
-10		45	x 45L
-15		50	x 50L
-20		55	x 55L
-25		60	x 60L
-30		65	x 65L
-35		70	x 70L
-40		75	x 75L
-45		80	x 80L
-50		85	x 85L
JCQ50-10	11	50	CQ-M5 x 50L
-15		55	x 55L
-20		60	x 60L
-25		65	x 65L
-30		70	x 70L
-35		75	x 75L
-40		80	x 80L
-45		85	x 85L
-50		90	x 90L

Cylinder model	C	D	Mounting bolt part no.
JCQ63-10	11.5	55	CQ-M5 x 55L
-15		60	x 60L
-20		65	x 65L
-25		70	x 70L
-30		75	x 75L
-35		80	x 80L
-40		85	x 85L
-45		90	x 90L
-50		95	x 95L
JCQ80-10		15	65
-15	70		x 70L
-20	75		x 75L
-25	80		x 80L
-30	85		x 85L
-35	90		x 90L
-40	95		x 95L
-45	100		x 100L
-50	105		x 105L
JCQ100-10	14		70
-15		75	x 75L
-20		80	x 80L
-25		85	x 85L
-30		90	x 90L
-35		95	x 95L
-40		100	x 100L
-45		105	x 105L
-50		110	x 110L

With Magnet for Auto Switch

Cylinder model	C	D	Mounting bolt part no.
JCDQ12-5	5.5	30	CQ-M3 x 30L
-10		35	x 35L
-15		40	x 40L
-20		45	x 45L
-25		50	x 50L
-30		55	x 55L
JCDQ16-5	9.5	35	CQ-M3 x 35L
-10		40	x 40L
-15		45	x 45L
-20		50	x 50L
-25		55	x 55L
-30		60	x 60L
JCDQ20-5	6	35	CQ-M3 x 35L
-10		40	x 40L
-15		45	x 45L
-20		50	x 50L
-25		55	x 55L
-30		60	x 60L
-35		65	x 65L
-40		70	x 70L
-45		75	x 75L
-50		80	x 80L
JCDQ25-5	4.5	35	CQ-M3 x 35L
-10		40	x 40L
-15		45	x 45L
-20		50	x 50L
-25		55	x 55L
-30		60	x 60L
-35		65	x 65L
-40		70	x 70L
-45		75	x 75L
-50		80	x 80L

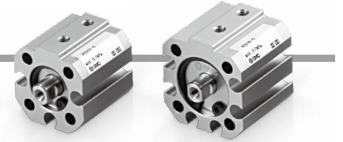
Cylinder model	C	D	Mounting bolt part no.
JCDQ32-5	7.5	40	CQ-M4 x 40L
-10		45	x 45L
-15		50	x 50L
-20		55	x 55L
-25		60	x 60L
-30		65	x 65L
-35		70	x 70L
-40		75	x 75L
-45		80	x 80L
-50		85	x 85L
JCDQ40-5	8.5	45	CQ-M4 x 45L
-10		50	x 50L
-15		55	x 55L
-20		60	x 60L
-25		65	x 65L
-30		70	x 70L
-35		75	x 75L
-40		80	x 80L
-45		85	x 85L
-50		90	x 90L
JCDQ50-10	10.5	55	CQ-M5 x 55L
-15		60	x 60L
-20		65	x 65L
-25		70	x 70L
-30		75	x 75L
-35		80	x 80L
-40		85	x 85L
-45		90	x 90L
-50		95	x 95L

Cylinder model	C	D	Mounting bolt part no.
JCDQ63-10	11.5	60	CQ-M5 x 60L
-15		65	x 65L
-20		70	x 70L
-25		75	x 75L
-30		80	x 80L
-35		85	x 85L
-40		90	x 90L
-45		95	x 95L
-50		100	x 100L
JCDQ80-10		14	70
-15	75		x 75L
-20	80		x 80L
-25	85		x 85L
-30	90		x 90L
-35	95		x 95L
-40	100		x 100L
-45	105		x 105L
-50	110		x 110L
JCDQ100-10	13		75
-15		80	x 80L
-20		85	x 85L
-25		90	x 90L
-30		95	x 95L
-35		100	x 100L
-40		105	x 105L
-45		110	x 110L
-50		115	x 115L

Bore Size

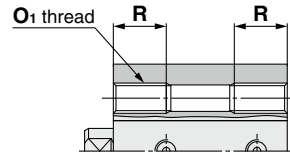
∅12, ∅16

Standard (Through-hole): JCQ, JCDQ



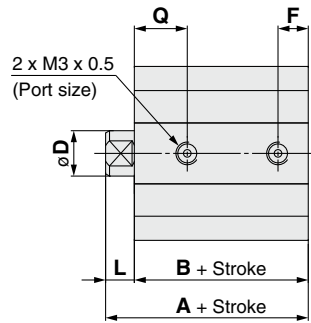
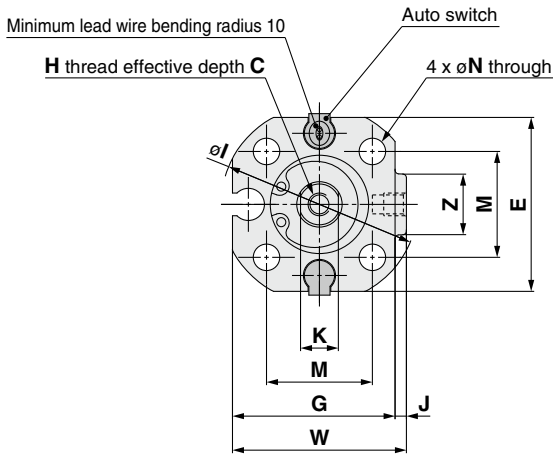
∅12

Both ends tapped: JCQA, JCDQA

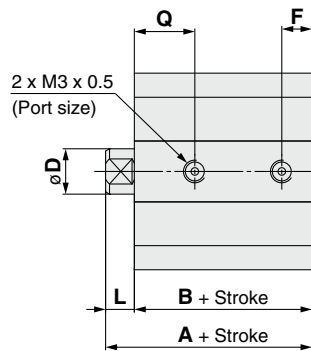
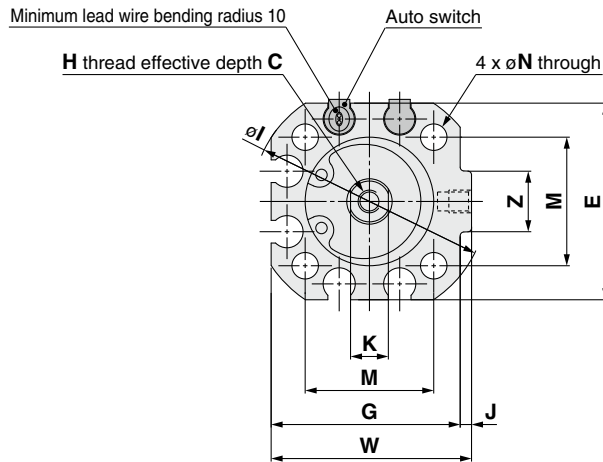


Both Ends Tapped [mm]

Bore size	O ₁	R
12	M4 x 0.7	7
16	M4 x 0.7	7



∅16



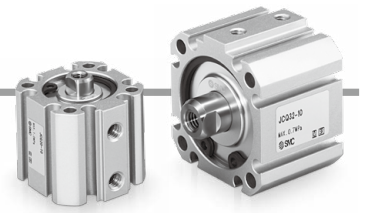
Bore size	Stroke range	Without magnet for auto switch		With magnet for auto switch		C	D	E	F	G	H	I	J	K	L	M	N	Q	W	Z
		A	B	A	B															
12	5 to 30	19.5	16	23	19.5	6	6	23	4	21.5	M3 x 0.5	26	1.5	5	3.5	14	3.5	7	23	8
16	5 to 30	20.5	17	24	20.5	6	6	26	4	25	M3 x 0.5	31	1.5	5	3.5	17	3.5	8	26.5	8

JCQ Series

Bore Size

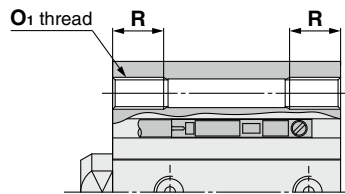
ø20 to ø40

Standard (Through-hole): JCQ, JCDQ



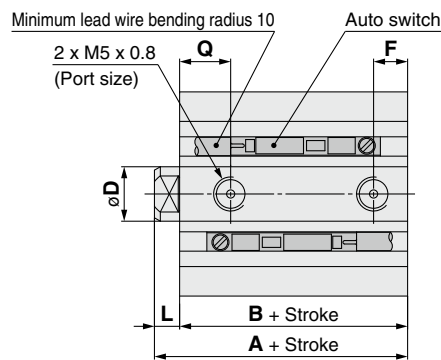
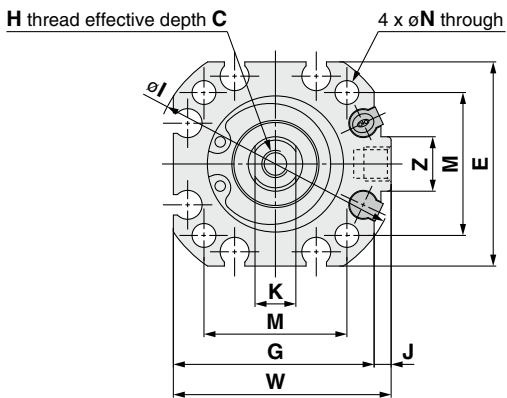
ø20

Both ends tapped: JCQA, JCDQA

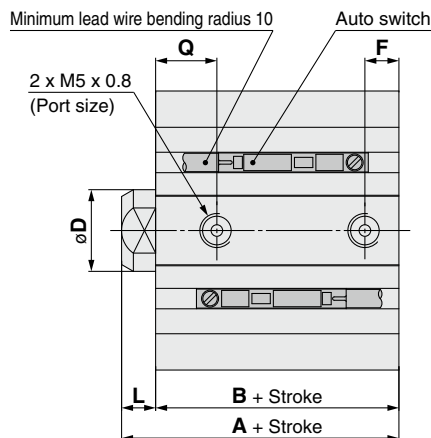
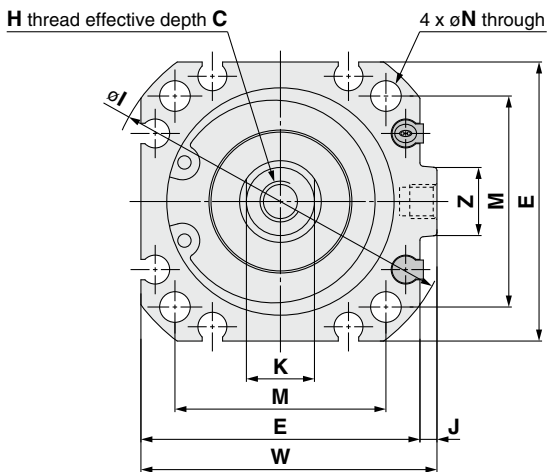


Both Ends Tapped [mm]

Bore size	O1	R
20	M4 x 0.7	7
25	M4 x 0.7	7
32	M5 x 0.8	8
40	M5 x 0.8	8



ø25 to ø40



Bore size	Stroke range	Without magnet for auto switch		With magnet for auto switch		C	D	E	F	G	H	I	J	K	L	M	N	Q	W	Z
		A	B	A	B															
20	5 to 50	21	17.5	27.5	24	8	8	30	5	29.5	M4 x 0.7	36	2.5	6	3.5	21	3.5	7.5	32	8
25	5 to 50	23.5	19	30	25.5	7	10	33.5	5	—	M5 x 0.8	40	2.5	8	4.5	24	3.5	8	36	8
32	5 to 50	26	21	32.5	27.5	12	12	41	5	—	M6 x 1.0	51	2.5	10	5	31	4.5	9	43.5	10
40	5 to 50	31	25	37.5	31.5	13	14	47	6	—	M8 x 1.25	60	3.5	12	6	37	4.5	11	50.5	10

Compact Cylinder **JCQ Series**

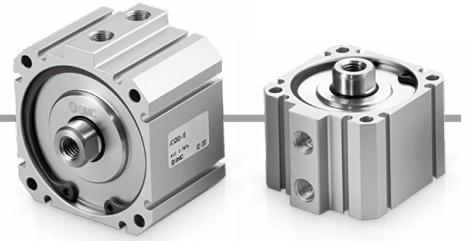
Double Acting, Single Rod

Bore Size

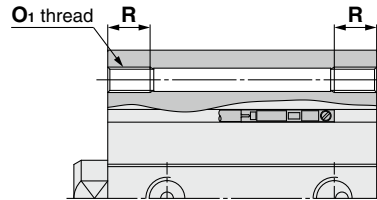
ø50 to ø100

Standard (Through-hole): JCQ, JCDQ

ø50 to ø80

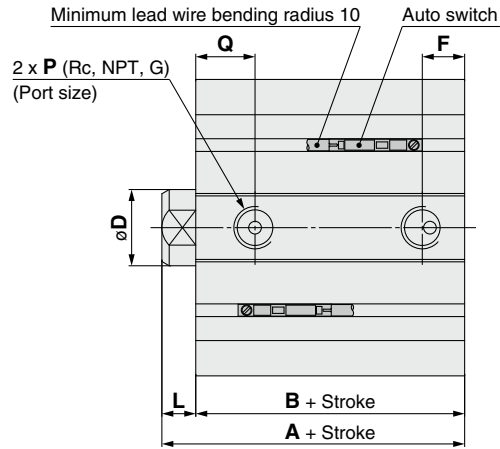
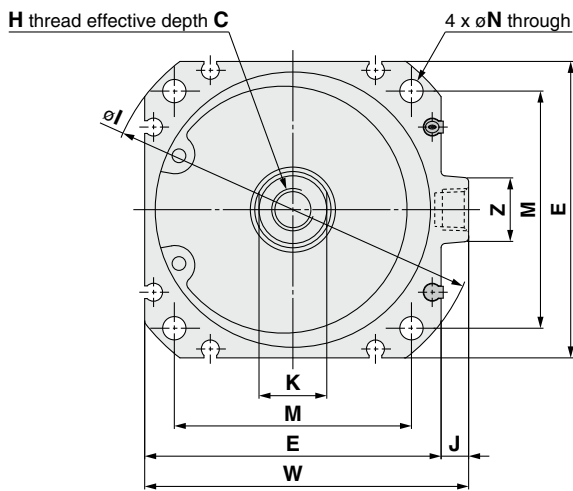


Both ends tapped: JCQA, JCDQA

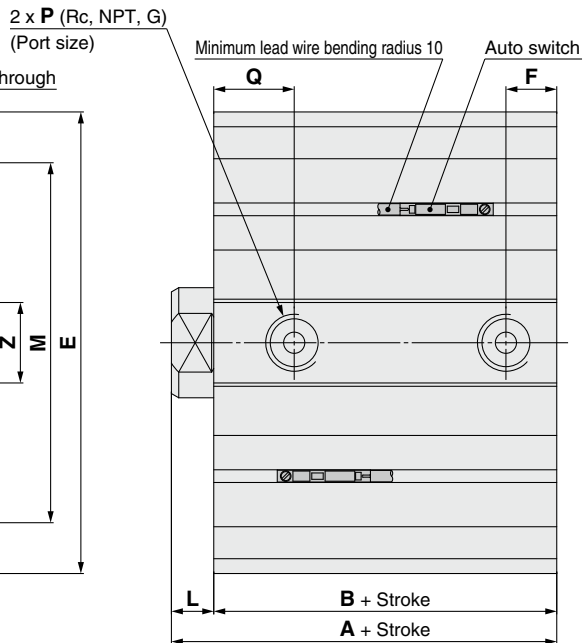
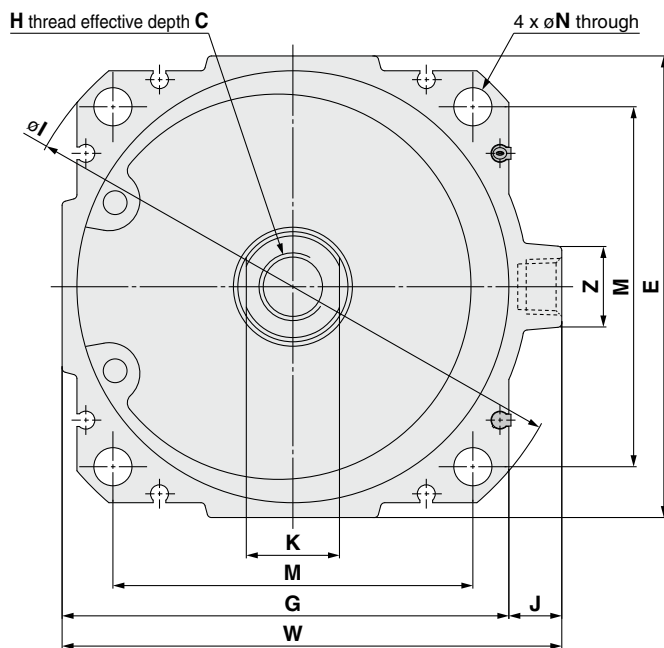


Both Ends Tapped [mm]

Bore size	O ₁	R
50	M6 x 1.0	10
63	M6 x 1.0	10
80	M10 x 1.5	18
100	M10 x 1.5	18



ø100



Bore size	Stroke range	Without magnet for auto switch		With magnet for auto switch		C	D	E	F	G	H	I	J	K	L	M	N	P	Q	W	Z
		A	B	A	B																
50	10 to 50	37	29	42.5	34.5	15	18	57	9	—	M10 x 1.5	74	6.5	16	8	46	5.5	1/8	13	63.5	15
63	10 to 50	41.5	33.5	46.5	38.5	15	18	70	10	—	M10 x 1.5	88	6.5	16	8	56	5.5	1/8	14	76.5	15
80	10 to 50	49	40	55	46	21	22	89	12	—	M14 x 2.0	113	9	19	9	70	9	1/4	14	98	19
100	10 to 50	56	46	62	52	21	26	109	12	105.5	M16 x 2.0	134	12.5	22	10	85	9	1/4	19	118	19

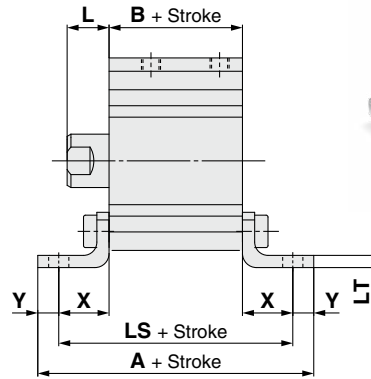
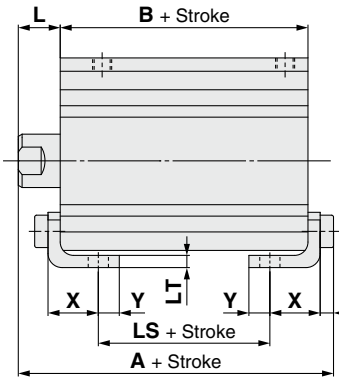
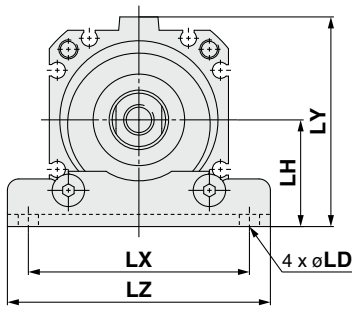
JCQ Series

* For the cylinder for the foot type or the rod flange type mounting bracket, the cylinder rod protrusion dimensions (Dimensions L and L₁) vary from those of the standard cylinder.

When ordering only the cylinder ⇒ Refer to the cylinder for the foot type or the rod flange type mounting bracket (-XC103) on page 14.

Dimensions

Foot: JCQL□



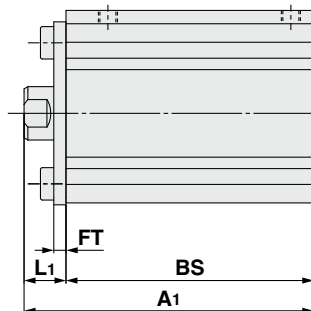
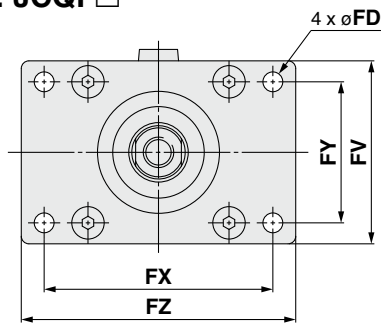
15 mm stroke or larger

5 or 10 mm strokes

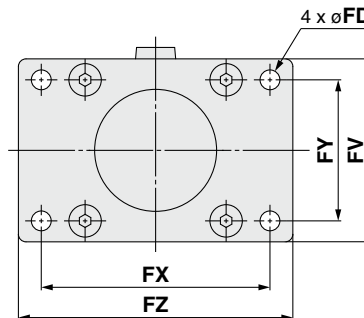
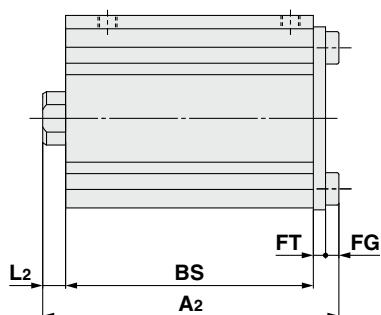
Bore size	Without auto switch						With auto switch						L	LD	LG	LH	LT	LX	LY	LZ	X	Y
	5 st or 10 st			15 st or larger			5 st or 10 st			15 st or larger												
	A	B	LS	A	B	LS	A	B	LS	A	B	LS										
32	57	21	44.4	37.7	21	4	63.5	27.5	50.9	44.2	27.5	10.5	10	5.5	3.5	26	3.2	52	49	64	11.7	6.3
40	60.4	25	49.4	42.7	25	7	66.9	31.5	55.9	49.2	31.5	13.5	11	5.5	3.5	29	3.2	58	56	69	12.2	5.5
50	71	29	57.4	49.2	29	7	76.5	34.5	62.9	54.7	34.5	12.5	13	6.5	4	36	3.2	75	71	90	14.2	6.8
63	79.5	33.5	64.5	55	33.5	11.5	84.5	38.5	69.5	60	38.5	16.5	13	6.5	4	42	4.5	86	84	100	15.5	7.5
80	97	40	77	64.5	40	12	103	46	83	70.5	46	18	14	9	6	54	4.5	114	107.5	136	18.5	10
100	110	46	87	71.5	46	14	116	52	93	77.5	52	20	15	11	6	64	4.5	138	127.5	160	20.5	11.5

* Min. applicable stroke: ø32 and ø40...5 mm stroke, ø50 to ø100...10 mm stroke

Rod flange: JCQF□



Head flange: JCQG□



BS indicates the overall length of the cylinder tube to be used.

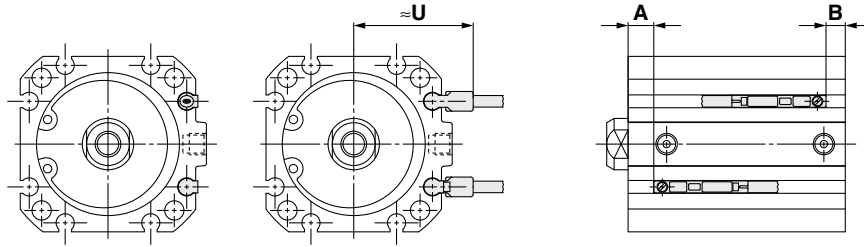
Bore size	Rod flange		Head flange			FD	FT	FV	FX	FY	FZ
	A ₁	L ₁	A ₂	L ₂	FG						
32	BS + 10	10	BS + 11.7	(5)	3.5	5.5	3.2	42	54	31	65
40	BS + 11	11	BS + 12.7	(6)	3.5	5.5	3.2	48	60	37	72
50	BS + 13	13	BS + 15.2	(8)	4	6.5	3.2	60	74	46	89
63	BS + 13	13	BS + 16.5	(8)	4	6.5	4.5	70	85	55	100
80	BS + 14	14	BS + 19.5	(9)	6	9	4.5	90	108	70	127
100	BS + 15	15	BS + 21	(10)	6	11	5	110	133	87	154

* The dimensions in () are the same as those of the standard type.

Auto Switch Mounting

Auto Switch Proper Mounting Position (Detection at stroke end) and Mounting Height

D-M9□
 D-M9□W
 D-M9□A
 D-M9□V
 D-M9□WV
 D-M9□AV



Auto Switch Proper Mounting Position [mm]

Auto switch model	D-M9□ D-M9□V D-M9□W D-M9□WV D-M9□A D-M9□AV	
	A	B
Bore size 12	5	2.5
16	5.5	3
20	6	6
25	6	7.5
32	8	8
40	11	9
50	11.5	11
63	13.5	13.5
80	16.5	18
100	19.5	21

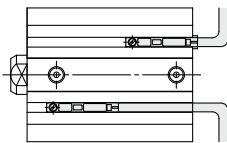
Auto Switch Mounting Height [mm]

Auto switch model	D-M9□V	
	U	
Bore size 12	19.5	
16	21	
20	23	
25	24.5	
32	28.5	
40	31.5	
50	36.5	
63	43	
80	52.5	
100	59	

Minimum Stroke for Auto Switch Mounting

Number of auto switches	[mm]			
	D-M9□V	D-M9□WV D-M9□AV	D-M9□	D-M9□W D-M9□A
1	5	10	15 (5)	15 (10)
2	5	15	15 (5)	15

* The dimension stated in () shows the minimum stroke for the auto switch mounting when the auto switch does not project from the end surface of the cylinder body and hinder the lead wire bending space. (Refer to the figure below.) The auto switch needs to be ordered separately.



Operating Range

Auto switch model	[mm]									
	Bore size									
	12	16	20	25	32	40	50	63	80	100
D-M9□(V) D-M9□W(V) D-M9□A(V)*1	3	3	4.5	4.5	4	4.5	5.5	6	6	6.5

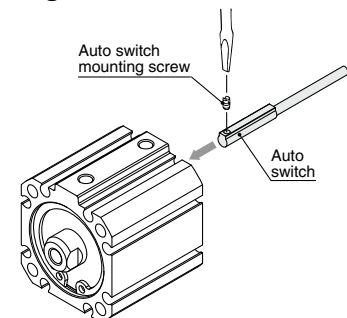
*1 Values which include hysteresis are for guideline purposes only, they are not a guarantee (assuming approximately ±30% dispersion) and may change substantially depending on the ambient environment.

Auto Switch Mounting

Applicable auto switch	D-M9□/M9□V D-M9□W/M9□WV D-M9□A/M9□AV		
	Bore size [mm]	φ12	φ16
Surfaces with auto switch mounting slot			

* Auto switch mounting bracket and auto switch are enclosed with the cylinder for shipment. For an environment that needs the water resistant auto switch, select the D-M9□A(V) type.

Mounting of auto switch



• When tightening the auto switch mounting screw, use a watchmakers' screwdriver with a handle 5 to 6 mm in diameter.

Tightening Torque for Auto Switch Mounting Screw [N·m]

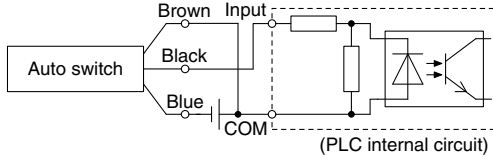
Auto switch model	Tightening torque
D-M9□(V) D-M9□W(V) D-M9□A(V)	0.05 to 0.15

Prior to Use

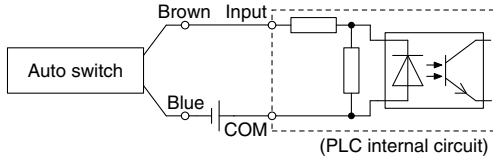
Auto Switch Connections and Examples

Sink Input Specifications

3-wire, NPN

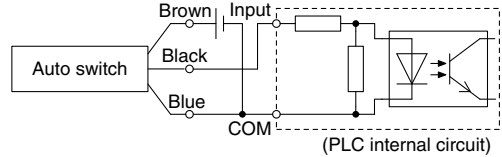


2-wire

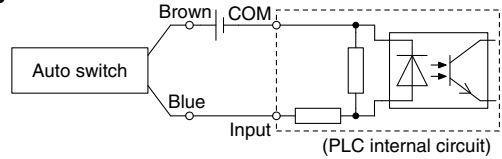


Source Input Specifications

3-wire, PNP



2-wire

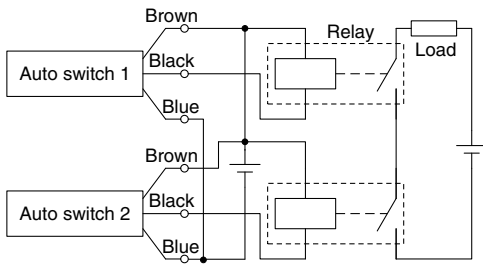


Connect according to the applicable PLC input specifications, as the connection method will vary depending on the PLC input specifications.

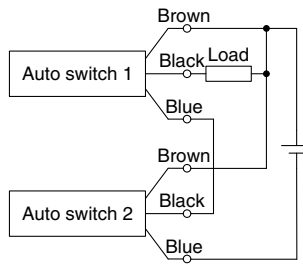
Examples of AND (Series) and OR (Parallel) Connections

* When using solid state auto switches, ensure the application is set up so the signals for the first 50 ms are invalid. Depending on the operating environment, the product may not operate properly.

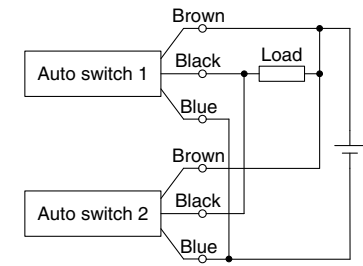
3-wire AND connection for NPN output (Using relays)



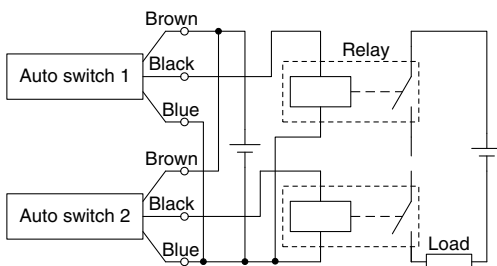
(Performed with auto switches only)



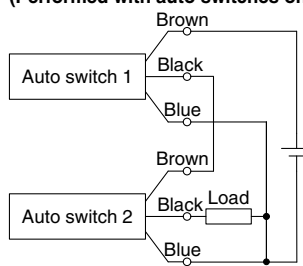
3-wire OR connection for NPN output



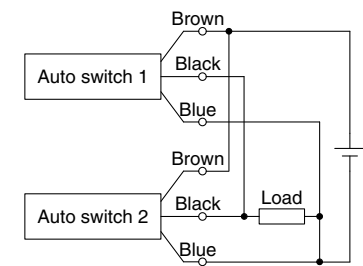
3-wire AND connection for PNP output (Using relays)



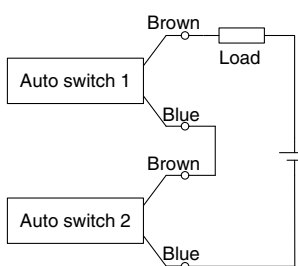
(Performed with auto switches only)



3-wire OR connection for PNP output



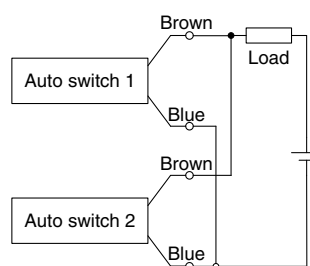
2-wire AND connection



When two auto switches are connected in series, a load may malfunction because the load voltage will decline when in the ON state. The indicator lights will light up when both of the auto switches are in the ON state. Auto switches with a load voltage less than 20 V cannot be used. Please contact SMC if using AND connection for a heat-resistant solid state auto switch or a trimmer switch.

Example) Load voltage at ON
 Power supply voltage: 24 VDC
 Internal voltage drop: 4 V
 Load voltage at ON = Power supply voltage –
 Internal voltage drop x 2 pcs.
 = 24 V – 4 V x 2 pcs.
 = 16 V

2-wire OR connection



(Solid state)
 When two auto switches are connected in parallel, malfunction may occur because the load voltage will increase when in the OFF state.

(Reed)
 Because there is no current leakage, the load voltage will not increase when turned OFF. However, depending on the number of auto switches in the ON state, the indicator lights may sometimes grow dim or not light up, due to the dispersion and reduction of the current flowing to the auto switches.

Example) Load voltage at OFF
 Leakage current: 1 mA
 Load impedance: 3 kΩ
 Load voltage at OFF = Leakage current x 2 pcs. x
 Load impedance
 = 1 mA x 2 pcs. x 3 kΩ
 = 6 V

JCQ Series

Made to Order

Please contact SMC for detailed dimensions, specifications, and delivery times.



1 Cylinder for the Foot Type or the Rod Flange Type Mounting Bracket Symbol **-XC103**

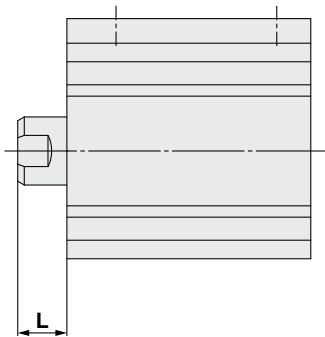
For cylinders with a foot type or a rod flange type mounting bracket (The rod end length is 5 mm longer than that of the standard model.)

How to Order

JC(D)QA Standard model no. - XC103

● Cylinder for the foot type or the rod flange type mounting bracket

Dimensions



Bore size	L
32	10
40	11
50	13
63	13
80	14
100	15

Dimensions other than those above are the same as those of the standard model.

Related Product

Specialized for JQC $\phi 12$, $\phi 16$

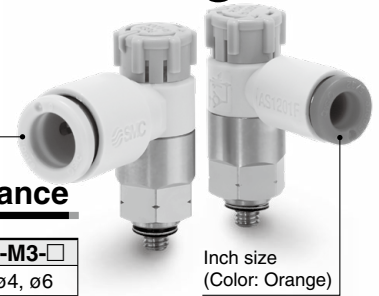
RoHS

Speed Controller with One-touch Fitting Elbow Type for M3 AS12□1F-M3-□A-X790

⚠ Caution

Refer to Specific Product Precautions 2 on page 17 before use.

Metric size (Color: Light gray)



Specifications

Fluid	Air
Proof pressure	1.5 MPa
Max. operating pressure	1 MPa
Min. operating pressure	0.1 MPa
Ambient and fluid temperatures	-5 to 60°C (No freezing)
Applicable tubing material	Nylon, Soft nylon, Polyurethane*1, FEP, PFA

*1 Use caution at the max. operating pressure when using soft nylon or polyurethane tubing. (Refer to the Web Catalog for details.)

Flow Rate and Sonic Conductance

Model		AS12□1F-M3-□
Tubing O.D.	Metric size	$\phi 2$, $\phi 3.2$, $\phi 4$, $\phi 6$
C values: Sonic conductance $\text{dm}^3/(\text{s}\cdot\text{bar})$	Free flow	0.07
	Controlled flow	0.07
b values: Critical pressure ratio	Free flow	0.3
	Controlled flow	0.2

* C and b values are for controlled flow with the needle fully open and free flow with the needle fully closed.

How to Order

AS 1 2 0 1 F - M3 - 06 A - X790

Body size
1 M3 x 0.5

Port size
M3 M3 x 0.5

Type
2 Elbow

Control type*1
0 Meter-out
1 Meter-in

*1 Meter-out and meter-in types can be visually identified by the color of the knob.
Meter-out: Gray
Meter-in: Light blue

Push-lock type

Applicable tubing O.D.
Metric size*1
Inch size*1

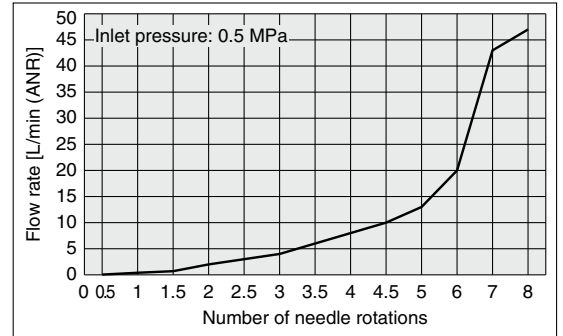
02	$\phi 2^*3$	01	$\phi 1/8''$
23	$\phi 3.2^*2$	03	$\phi 5/32''$
04	$\phi 4$		
06	$\phi 6$		

*1 Metric size: Light gray
Inch size: Orange

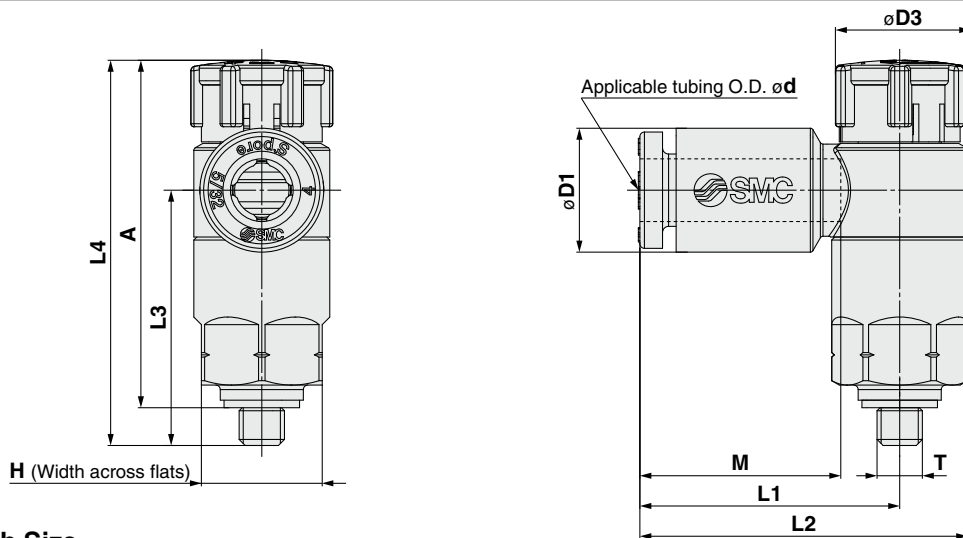
*2 Use $\phi 1/8''$ tubing.
*3 Only polyurethane tubing is applicable for $\phi 2$.

Needle Valve/Flow Rate Characteristics

AS1201F-M3-□



Dimensions



Metric Size/Inch Size

Model	d	T	H	D1	D3	L1	L2	L3	L4*1		A*2		M	Weight [g]
									Unlocked	Locked	Unlocked	Locked		
AS12□1F-M3-02A-X790	2	M3 x 0.5	8	5.8	9.4	15.8	20.3	16.9	26.5	25.4	23.5	22.4	11.9	5
AS12□1F-M3-23A-X790	3.2			7.2		17.2	21.7							
AS12□1F-M3-04A-X790	4			8.2		18.6	23.1							
AS12□1F-M3-06A-X790	6			10.4		17.2	21.7							
AS12□1F-M3-01A-X790	1/8"			7.2										
AS12□1F-M3-03A-X790	5/32"			8.2										

*1 Reference dimensions

*2 Reference dimensions of threads after installation



Specific Product Precautions 1

Be sure to read this before handling the products. Refer to the back cover for safety instructions. For actuator and auto switch precautions, refer to “Handling Precautions for SMC Products” and the “Operation Manual” on SMC website.

Mounting

Caution

Compact cylinders are designed to reduce the size of mechanical equipment and promote space saving. Thus, if they are used in the same manner as conventional cylinders, such as tie-rod cylinders, they may experience reduced performance. Pay sufficient attention to the operating conditions when using.

1. Allowable lateral load

The lateral load that can be applied to the piston rod end is limited. If a cylinder is used with a lateral load over the limit, air leakage due to abnormal friction on the seals, the galling of cylinder tubes and pistons, or abnormal friction on the bearing part may result. The lateral load applied to the piston rod must be within the allowable range indicated in this catalog. When the load exceeds the limit, install a guide or change the bore size to suit the load in order to make the load within the allowable range.

2. Workpiece connection

When a workpiece is mounted on the piston rod end, connect them by aligning the center of the piston rod with the center of the workpiece. If they are off-center, lateral load is generated and the phenomena mentioned in (1) may occur. In order to prevent the application of an off-center load, the use of a floating joint or a simple joint is recommended.

3. Tighten the mounting bracket within the recommended tightening torque range.

When mounting the bracket, tighten the mounting bolt within the recommended tightening torque range shown in the table below.

Bore size [mm]	Tightening torque [N·m]
32, 40	3.0 to 5.1
50, 63	9.0 to 12.0
80, 100	25.0 to 44.9

4. Simultaneous use of multiple cylinders

It is difficult to control the speed of pneumatic cylinders. The following conditions cause speed change: change in the supply pressure, load, temperature, or lubrication, differences in cylinder capabilities, the deterioration of various parts over time, etc. A speed controller can be used to control the speed of multiple cylinders simultaneously for a short period of time, but depending on the conditions, it may not work as desired. If multiple cylinders cannot operate simultaneously, unreasonable force will be applied to the piston rod because the cylinder positions may not be the same. This may cause abnormal friction on the seals and bearings and the galling of cylinder tubes and pistons. Do not use in applications where only the speed is adjusted to operate several cylinders simultaneously. If this is inevitable, use a high-rigidity guide for the load so that the cylinder is not damaged even when the output of each cylinder is slightly different.

5. Depending on the system configuration selected, the specified speed may not be satisfied.



JCQ Series

Specific Product Precautions 2

Be sure to read this before handling the products. Refer to the back cover for safety instructions. For actuator and auto switch precautions, refer to “Handling Precautions for SMC Products” and the “Operation Manual” on SMC website.

Mounting Fittings and Speed Controllers (for $\varnothing 12$ to $\varnothing 32$)

Caution

Use the series models listed below when connecting speed controllers and fittings directly to cylinders.

- After tightening the fitting by hand, use a wrench to tighten the fitting an additional approximately 1/4 turn for a port size of M3 x 0.5 or 1/6 turn for a port size of M5 x 0.8. For elbow type fittings, tighten an additional 1/2 turn for a port size of M3 x 0.5 or 1/3 turn for a port size of M5 x 0.8 if gaskets are mounted in two places. If screws are tightened excessively, air leakage may result due to broken threads or a deformed gasket. If screws are tightened insufficiently, looseness and accompanying air leakage are likely to occur.

<One-touch Fittings>

With Magnet for Auto Switch

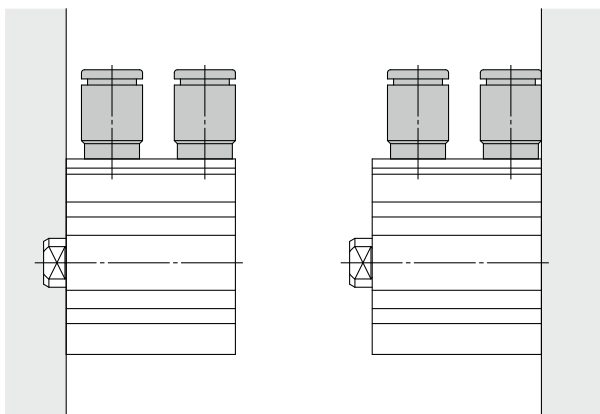
Bore size [mm]		12	16	20	25	32	
Port size		M3 x 0.5		M5 x 0.8			
Stroke [mm]		5 or larger	5 or larger	5 or larger	5 or larger	5 or larger	
Male connector (with hexagon socket head)	KQ2S04-M3G	●	●	—	—	—	
	KQ2S04-M5□	—	—	●	●	●	
	KQ2S06-M5□	—	—	●	●	●	
Male connector	KQ2H04-M3G	○	○	—	—	—	
	KQ2H04-M5□	—	—	●	●	●	
	KQ2H06-M5□	—	—	○	○	○	
Male elbow	KQ2L04-M3G	●	●	—	—	—	
	KQ2L04-M5□	—	—	●	●	●	
	KQ2L06-M5□	—	—	●	●	●	

- : Applicable to mounting conditions 1 and 2
- : Applicable to mounting condition 1

Without Magnet for Auto Switch

Bore size [mm]		12	16	20	25	32		
Port size		M3 x 0.5		M5 x 0.8				
Stroke [mm]		5 or larger	5 or larger	5	10 or larger	5	10 or larger	5 or larger
Male connector (with hexagon socket head)	KQ2S04-M3G	●	●	—	—	—	—	—
	KQ2S04-M5□	—	—	●	—	●	—	●
	KQ2S06-M5□	—	—	●	●	●	●	●
Male connector	KQ2H04-M3G	○	○	—	—	—	—	—
	KQ2H04-M5□	—	—	●	●	●	●	●
	KQ2H06-M5□	—	—	—	○	—	○	○
Male elbow	KQ2L04-M3G	●	●	—	—	—	—	—
	KQ2L04-M5□	—	—	●	●	●	●	●
	KQ2L06-M5□	—	—	●	●	●	●	●

- : Applicable to mounting conditions 1 and 2
- : Applicable to mounting condition 1



Mounting condition 1

Mounting condition 2

* The above figures show the mounting conditions with the KQ2S One-touch fittings.

<Speed Controllers>

With Magnet for Auto Switch

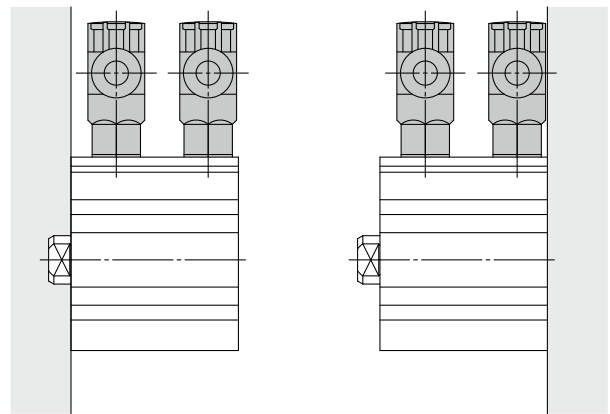
Bore size [mm]		12	16	20	25	32	
Port size		M3 x 0.5		M5 x 0.8			
Stroke [mm]		5 or larger	5 or larger	5 or larger	5 or larger	5 or larger	
Elbow type	AS12□1F-M3-04	●	●	—	—	—	
	AS12□1F-M3-□A-X790	○	○	—	—	—	
	AS12□1F-M5E-04A	—	—	●	●	●	
	AS12□1F-M5E-06A	—	—	●	●	●	
Universal type	AS13□1F-M3-04	●	●	—	—	—	
	AS13□1F-M5E-04A	—	—	●	●	●	
	AS13□1F-M5E-06A	—	—	●	●	●	

- : Applicable to mounting conditions 1 and 2
- : Applicable to mounting condition 1

Without Magnet for Auto Switch

Bore size [mm]		12	16	20	25	32	
Port size		M3 x 0.5		M5 x 0.8			
Stroke [mm]		5 or larger	5 or larger	5 or larger	5 or larger	5 or larger	
Elbow type	AS12□1F-M3-04	●	●	—	—	—	
	AS12□1F-M3-□A-X790	○	○	—	—	—	
	AS12□1F-M5E-04A	—	—	●	●	●	
	AS12□1F-M5E-06A	—	—	●	●	●	
Universal type	AS13□1F-M3-04	●	●	—	—	—	
	AS13□1F-M5E-04A	—	—	●	●	●	
	AS13□1F-M5E-06A	—	—	●	●	●	

- : Applicable to mounting conditions 1 and 2
- : Applicable to mounting condition 1




Mounting condition 1


Mounting condition 2


* The above figures show the mounting conditions with the AS12□1F-M5E-□A elbow type speed controllers.

Safety Instructions

These safety instructions are intended to prevent hazardous situations and/or equipment damage. These instructions indicate the level of potential hazard with the labels of “**Caution**,” “**Warning**” or “**Danger**.” They are all important notes for safety and must be followed in addition to International Standards (ISO/IEC)*1), and other safety regulations.

 **Caution:** **Caution** indicates a hazard with a low level of risk which, if not avoided, could result in minor or moderate injury.

 **Warning:** **Warning** indicates a hazard with a medium level of risk which, if not avoided, could result in death or serious injury.

 **Danger :** **Danger** indicates a hazard with a high level of risk which, if not avoided, will result in death or serious injury.

*1) ISO 4414: Pneumatic fluid power – General rules relating to systems.
ISO 4413: Hydraulic fluid power – General rules relating to systems.
IEC 60204-1: Safety of machinery – Electrical equipment of machines.
(Part 1: General requirements)
ISO 10218-1: Manipulating industrial robots – Safety.
etc.

Warning

1. The compatibility of the product is the responsibility of the person who designs the equipment or decides its specifications.

Since the product specified here is used under various operating conditions, its compatibility with specific equipment must be decided by the person who designs the equipment or decides its specifications based on necessary analysis and test results. The expected performance and safety assurance of the equipment will be the responsibility of the person who has determined its compatibility with the product. This person should also continuously review all specifications of the product referring to its latest catalog information, with a view to giving due consideration to any possibility of equipment failure when configuring the equipment.

2. Only personnel with appropriate training should operate machinery and equipment.

The product specified here may become unsafe if handled incorrectly. The assembly, operation and maintenance of machines or equipment including our products must be performed by an operator who is appropriately trained and experienced.

3. Do not service or attempt to remove product and machinery/equipment until safety is confirmed.

1. The inspection and maintenance of machinery/equipment should only be performed after measures to prevent falling or runaway of the driven objects have been confirmed.
2. When the product is to be removed, confirm that the safety measures as mentioned above are implemented and the power from any appropriate source is cut, and read and understand the specific product precautions of all relevant products carefully.
3. Before machinery/equipment is restarted, take measures to prevent unexpected operation and malfunction.

4. Contact SMC beforehand and take special consideration of safety measures if the product is to be used in any of the following conditions.

1. Conditions and environments outside of the given specifications, or use outdoors or in a place exposed to direct sunlight.
2. Installation on equipment in conjunction with atomic energy, railways, air navigation, space, shipping, vehicles, military, medical treatment, combustion and recreation, or equipment in contact with food and beverages, emergency stop circuits, clutch and brake circuits in press applications, safety equipment or other applications unsuitable for the standard specifications described in the product catalog.
3. An application which could have negative effects on people, property, or animals requiring special safety analysis.
4. Use in an interlock circuit, which requires the provision of double interlock for possible failure by using a mechanical protective function, and periodical checks to confirm proper operation.

Caution

1. The product is provided for use in manufacturing industries.

The product herein described is basically provided for peaceful use in manufacturing industries.
If considering using the product in other industries, consult SMC beforehand and exchange specifications or a contract if necessary.
If anything is unclear, contact your nearest sales branch.

Limited warranty and Disclaimer/ Compliance Requirements

The product used is subject to the following “Limited warranty and Disclaimer” and “Compliance Requirements”.

Read and accept them before using the product.

Limited warranty and Disclaimer

1. The warranty period of the product is 1 year in service or 1.5 years after the product is delivered, whichever is first.*2)
Also, the product may have specified durability, running distance or replacement parts. Please consult your nearest sales branch.
2. For any failure or damage reported within the warranty period which is clearly our responsibility, a replacement product or necessary parts will be provided.
This limited warranty applies only to our product independently, and not to any other damage incurred due to the failure of the product.
3. Prior to using SMC products, please read and understand the warranty terms and disclaimers noted in the specified catalog for the particular products.

*2) Vacuum pads are excluded from this 1 year warranty.

A vacuum pad is a consumable part, so it is warranted for a year after it is delivered.
Also, even within the warranty period, the wear of a product due to the use of the vacuum pad or failure due to the deterioration of rubber material are not covered by the limited warranty.

Compliance Requirements

1. The use of SMC products with production equipment for the manufacture of weapons of mass destruction (WMD) or any other weapon is strictly prohibited.
2. The exports of SMC products or technology from one country to another are governed by the relevant security laws and regulations of the countries involved in the transaction. Prior to the shipment of a SMC product to another country, assure that all local rules governing that export are known and followed.

Caution

SMC products are not intended for use as instruments for legal metrology.

Measurement instruments that SMC manufactures or sells have not been qualified by type approval tests relevant to the metrology (measurement) laws of each country. Therefore, SMC products cannot be used for business or certification ordained by the metrology (measurement) laws of each country.

Revision History

Edition B	* Bore sizes ø40, ø50, and ø63 have been added.	TR
Edition C	* Both ends tapped mounting has been added. * Bore sizes ø80 and ø100 have been added. * Port thread types NPT and G have been added.	UR
Edition D	* An axial foot type and a flange type have been added to mounting brackets. * Number of pages has been increased from 16 to 20.	ZT

Safety Instructions

Be sure to read the “Handling Precautions for SMC Products” (M-E03-3) and “Operation Manual” before use.