

Excelon® lockout valves

1/4" to 3/4" port size

Excelon® design allows in-line or modular installation

Valves can be locked in the closed position only

Excelon® 3-port/2-position lockout valves help conform to OSHA Lockout Regulations in USA market.

Technical data

Fluid: Compressed air

Maximum Pressure: 250 psig (17 bar)

Operating Temperature*: -30° to 150°F (-34° to 65°C)

* Air supply must be dry enough to avoid ice formation at temperatures below 35°F (2°C).

Cv factor from IN to OUT ports

1/4" ports: 4.0

3/8" ports: 8.0

1/2" ports: 8.1

3/4" ports: 7.7

Cv factor from OUT to Exhaust ports on 3-port/2-position valves: 0.2.

Exhaust port threads on T72T and T73T models: 10-32

Exhaust port threads on T74T models:

1/8 PTF with PTF main ports

1/8" ISO Rc with ISO G and ISO Rc main ports

Hole diameter in slide for padlock 72 and 73: 5/16" (8 mm)

Hole diameter in slide for padlock: 0.29" (7.5 mm)

Materials

Body: Zinc

Slide: Acetal plastic

Elastomers: Nitrile



Ordering Information

Models listed are with PTF threads.

Port Size	2-Port/2-Position No Exhaust Outlet	3-Port/2-Position (OSHA) Exhaust Port not tapped	3-Port/2-Position Threaded Exhaust Port	Weight lbs (kg)
1/4"	T72B-2AA-P1N	T72E-2AA-P1N	T72T-2AA-P1N	0.79 (0.36)
3/8"	T72B-3AA-P1N	T72E-2AA-P1N	T72T-3AA-P1N	0.86 (0.39)

Port Size	2-Port/2-Position No exhaust outlet	3-Port/2-Position Unthreaded exhaust outlet	3-Port/2-Position Threaded exhaust port	Weight lbs (kg)
1/4"	T73B-2AA-P1N	T73E-2AA-P1N	T73T-2AA-P1N	0.7 (0.3)
3/8"	T73B-3AA-P1N	T73E-3AA-P1N	T73T-3AA-P1N	0.7 (0.3)
1/2"	T73B-4AA-P1N	T73E-4AA-P1N	T73T-4AA-P1N	0.7 (0.3)

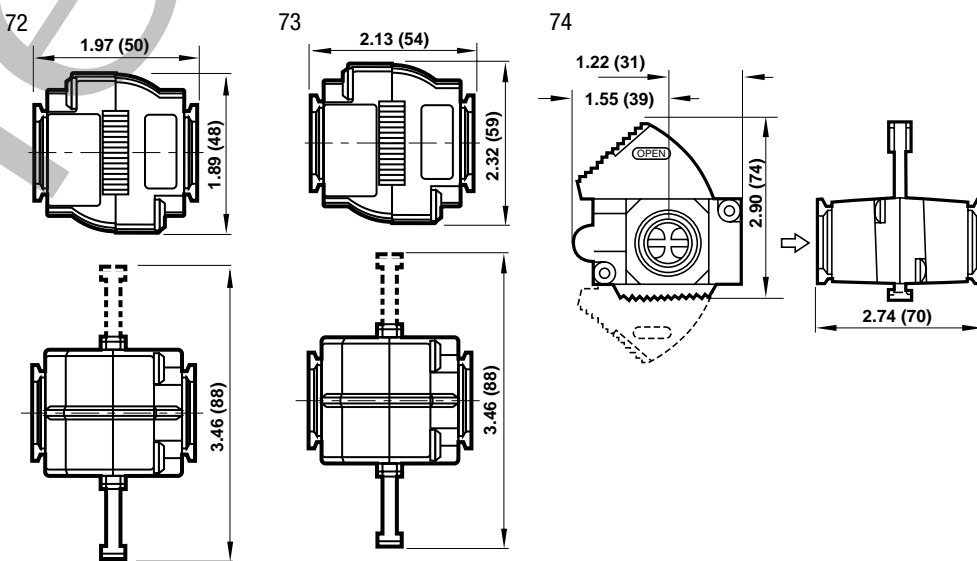
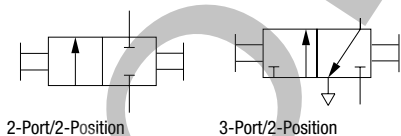
Port Size	2-Port/2-Position Padlock closed only. No exhaust outlet.	3-Port/2-Position OSHA Padlock closed only. Unthreaded exhaust outlet.	3-Port/2-Position Padlock closed only. Threaded exhaust port.	Weight lbs (kg)
3/8"	T74B-3AA-P1N	T74E-3AA-P1N	T74T-3AA-P1N	0.69 (0.32)
1/2"	T74B-4AA-P1N	T74E-4AA-P1N	T74T-4AA-P1N	0.65 (0.30)
3/4"	T74B-6AA-P1N	T74E-6AA-P1N	T74T-6AA-P1N	0.62 (0.28)

Service Kits

Type	Part Number
T72	4384-513
T73B (black slide)	4384-610
T73E (yellow slide)	4384-611
T73T (red slide)	4384-612
T74B (black slide)	4384-711
T74E (yellow slide)	4384-710
T74T (red slide)	4384-713

Service kit includes seals and slide.

ISO Symbols



Dimensions in inches (mm)

64 Series lockout valves

1/4" to 3/4" port size

Olympian Plus plug indesign

Attaches to yoke, upstream or downstream of air processing units.

T64E 3-port/2-position lockout valves help conform to OSHA Lockout Regulations in USA market.

Technical data

Fluid:

Compressed air

Maximum pressure:

250 psig (17 bar)

Operating temperature*:

0° to 175°F (-20° to 80°C)

* Air supply must be dry enough to avoid ice formation at temperatures below 35°F (2°C).

Cv factor from IN to OUT ports

1/4 port size: 2.6

3/8 port size: 5.5

1/2 port size: 6.7

3/4 port size: 7.5

Exhaust port threads on T64T models:

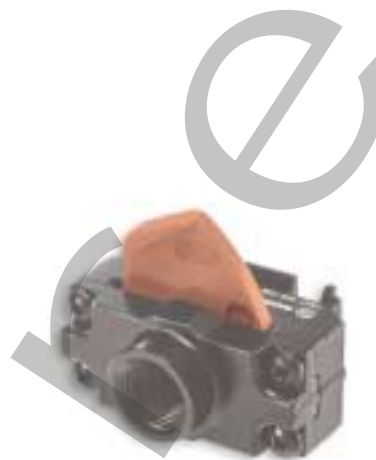
1/8 PTF with PTF main ports 1/8 ISO Rc with ISO G and ISO Rc main ports

Materials

Body: Zinc

Slide: Acetal plastic

Elastomers: Nitrile



Ordering Information

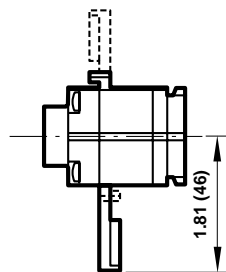
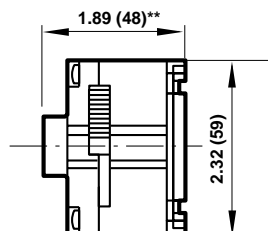
Models listed include PTF threads in the pilot and exhaust ports.

Port Size	2-Port/2-Position No exhaust outlet	3-Port/2-Position OSHA Unthreaded exhaust port	3-Port/2-Position Threaded exhaust port	Weight lbs (kg)
1/4"	T64B-2AB-P1N	T64E-2AB-P1N	T64T-2AB-P1N	0.89 (0.40)
3/8"	T64B-3AB-P1N	T64E-3AB-P1N	T64T-3AB-P1N	0.88 (0.40)
1/2"	T64B-4AB-P1N	T64E-4AB-P1N	T64T-4AB-P1N	0.84 (0.38)
3/4"	T64B-6AB-P1N	T64E-6AB-P1N	T64T-6AB-P1N	0.84 (0.38)

Service Kits

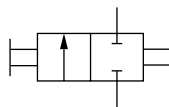
Type	Part Number
T64B (red slide)	4384-210
T64E (yellow slide)	4384-211
T64T (red slide)	4384-210

Service kit includes seals and slide.

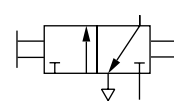


** Models with 3/4" ports
All Dimensions in Inches (mm)

ISO Symbols



2-Port/2-Position



3-Port/2-Position

Air line equipment

T68

Olympian Plus T68 Shut-off & Lockout Valves

3/4", 1", 1-1/4", 1-1/2" Port Sizes



Olympian plug in system

2-port/2-position and 3-port/2-position shut-off valves

Can be locked in open or closed position

T68E 3-port/2-position lockout valves help conform to OSHA Lockout Regulations in USA market. Exhaust outlet is not tapped.

Technical data

Fluid:

Compressed air

Maximum pressure:

250 psig (17 bar)

Operating temperature*:

0° to +175°F (-20° to +80°C)

* Air supply must be dry enough to avoid ice formation at temperatures below +35°F (+2°C).

Cv factor:

IN to OUT port: 27.5

OUT to EXHAUST port: 0.16

Exhaust port threads on T68H models:

1/4"

Materials:

Body: Aluminum

Handle: Zinc

Seals: Nitrile

Ball: Brass

Ordering Information

Models listed are with PTF threads.

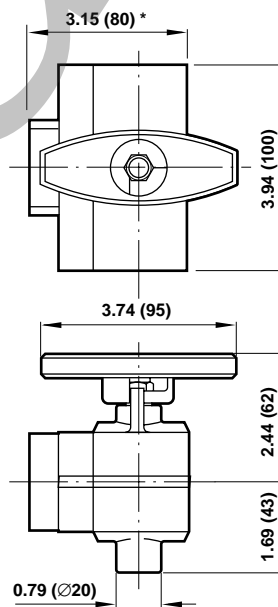
Port Size	3-Port/2-Position, Unthreaded, Exhaust Port		2-Port/2-Position No Exhaust Outlet	
		Weight lbs (kg)		Weight lbs (kg)
3/4"	T68E-6AB-B2N	2.21 (1.00)	T68A-6AB-B2N	2.21 (1.00)
1"	T68E-8AB-B2N	2.12 (0.96)	T68A-8AB-B2N	1.92 (0.87)
1-1/4"	T68E-AAB-B2N	2.07 (0.94)	T68A-AAB-B2N	2.21 (1.00)
1-1/2"	T68E-BAB-B2N	2.16 (0.98)	T68A-BAB-B2N	2.16 (0.98)

Service Kits

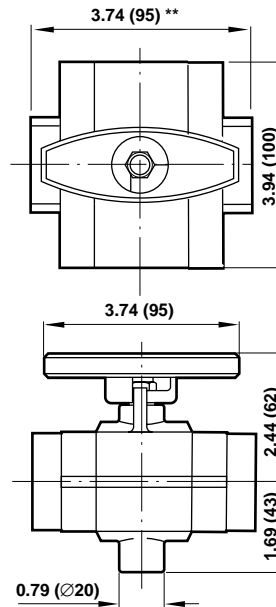
Item	Part Number
Service kit	4384-300

Service kit includes, valve spring, slip ring, valve assembly, diaphragm assembly and necessary seals and 'o' rings.

Yoke Mounted Models

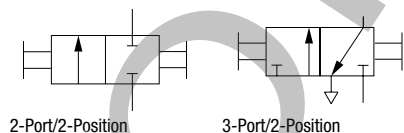


Inline Mounted Models



* 3.35" (85 mm) for 1-1/2" ported models.
** 4.13" (105 mm) for 1-1/2" ported models.

ISO Symbols



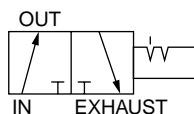
Dimensions in inches (mm)

Inline Lockout Valves

For installation in 1/4" through 1-1/2" air lines.



Graphic Symbol



3-way, manually operated, full flow lockout valves can be locked in the closed position with a customer supplied padlock.

Helps you comply to OSHA regulations, as they relate to OSHA regulation 29 CFR Part 1910, standard for lockout/tagout procedures.

Technical data

Fluid:

Compressed air

Maximum Pressure:

300 psig (20.4 bar)

Temperature Range:

-20° to 175°F* (-29° to 79°C)

*With a dew point of supply air less than air temperature below 35°F (2°C).

Maximum Diameter of Lock Shackle:

5/16" (8mm)

Materials

Valve Body: Aluminum

Muffler Base: Zinc

Spool, T-Handle, Muffler Shell:

Aluminum

Spring Detent: Stainless Steel

Elastomers

Standard: Nitrile and Polyurethane

Optional: Fluorocarbon

Repair Kits

C0021A/D and C0023A/D Valves:

Standard Elastomers: 53474-43

Fluorocarbon Elastomers: 53474-44

C0022A/D and C0024A/D Valves:

Standard Elastomers: 53475-34

Fluorocarbon Elastomers: 53475-36

Replacement Mufflers* for

C0021A/C0024D Valves

C0021A/D and C0023A/D Valves:

ML004F

C0022A/D and C0024A/D Valves:

ML008F

*Contains all bolts and washers required to flange mount with the respective sized lockout valve.

Lockout Hasp

Part Number: 54547-01

Note: The 1-1/2" diameter jaws can be used with all Norgren Inline, Olympian, and Poppet Lockout Valves except the T15. High-tensile steel affords extra protection against unauthorized access. Red vinyl coated and plated to resist rust. Locking holes accommodate padlocks up to 11/32" shackle diameter.

Ordering Information

Models listed are with PTF threads.

Basic Size	Size PTF	Port Without Muffler	Model With Muffler	Port Basic Size	Model Size ISO G	Cv Factor Without Muffler	With Muffler	In-Out Ports	Out-Exhaust Ports
1/2"	1/4"	C0021A	C0023A	1/2"	G1/4	C0041A	C0043A	4.2	6.0
	3/8"	C0021B	C0023B		G3/8	C0041B	C0043B	6.6	6.6
	1/2"	C0021C	C0023C		G1/2	C0041C	C0043C	9.3	7.9
1"	3/4"	C0021D	C0023D		G3/4	C0041D	C0043D	12.6	8.6
	1"	C0022A	C0024A	1"	G3/4	C0042A	C0044A	10.6	8.
	1-1/4"	C0022B	C0024B		G1	C0042B	C0044B	16.2	9.2
1-1/2"	1-1/4"	C0022C	C0024C		G1-1/4	C0042C	C0044C	25.3	8.9
	1-1/2"	C0022D	C0024D		-	-	-	22.4	10.0

Options

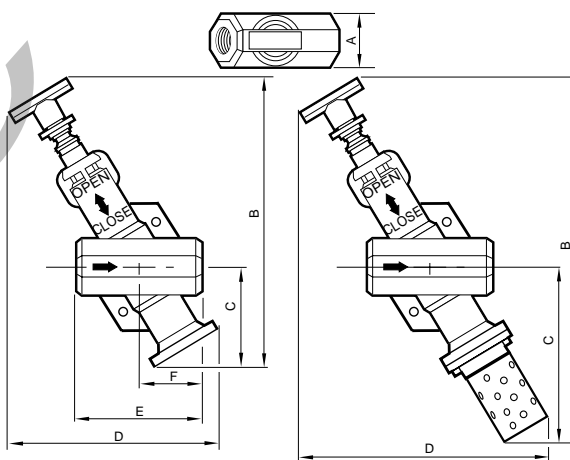
C0021A/D and C0023A/D Valves with fluorocarbon elastomers: Specify 1FA after the desired valve model number.

C0022A/D and C0024A/D Valves with fluorocarbon elastomers: Specify 1EX after the desired valve model number.

C0021A/D Valves with tapped muffler base that accepts a muffler with 3/4" NPT male threads: Specify 1M2 after the desired valve model number. Recommended muffler: MB006A.

C0022A/D Valves with tapped muffler base that accepts a muffler with 1" NPT male threads: Specify 1M1 after the desired valve model number. Recommended muffler: MB008A.

Note: Standard valves have a black handle. To order valves with a red handle, change the second position of the model number to an R (e.g., C0021A would change to CR021A).



Lockout Hasp

Valve Type	B		C		D		E	F
	Without Muffler	With Muffler	Without Muffler	With Muffler	Without Muffler	With Muffler		
All	1.87	9.33	2.90	5.35	6.97	7.97	4.00	2.00
1/2" basic	(48)	(237)	(74)	(136)	(177)	(202)	(102)	(51)
All	2.26	12.07	4.13	7.78	8.65	10.46	5.00	2.50
1" basic	(57)	(307)	(105)	(198)	(220)	(266)	(127)	(64)

All Dimensions in Inches (mm)