

Air line equipment

Excelon® modular system

V72G, V74G Pressure Relief Valves

Excelon® design allows in-line installation or modular installation with other Excelon® products
 Push to lock adjusting knob with tamper resistant accessory
 Helps protect air operated equipment from over pressure by retarding excessive pressure build up

Technical data

Fluid:
 Compressed air
 Maximum pressure:
 300 psig (20 bar)
 Operating Temperature*:
 -30° to 150°F (-34° to 65°C)
 * Air supply must be dry enough to avoid ice formation at temperatures below 35°F (2°C).

V72
 Gauge Ports:
 1/8" PTF with PTF main ports
 1/8" ISO Rc with ISO G main ports
 Exhaust Port:
 1/4" PTF with PTF main ports
 1/4" ISO Rc with ISO G main ports

Materials
V72G
 Body: zinc body
 Bonnet: acetal
 Elastomers: neoprene
 Bottom plug: acetal
V74G
 Body & bonnet: aluminum
 Valve: aluminum and nitrile
 Elastomers: nitrile
 Bottom plug: acetal



Ordering Information

Models listed include PTF threads, knob adjustment, and a 5 to 150 psig (0.3 to 10 bar) outlet pressure adjustment range.*

Size	Model	Service kit
1/4	V72G 2AK NMG	4209 03
3/8	V72G 3AK NMG	4209 03
3/8	V74G 3AK NMG	4384 700
1/2	V74G 4AK NMG	4384 700
3/4	V74G 6AK NMG	4384 700

Note: for Excelon® 73 combinations use V74G.

Options selector

Series	Substitute	Gauge	Substitute
72	2	With	G
74	4	Without	N
Port size	Substitute	Relief pressure adjustment range*	Substitute
1/4" (72)	2	5 to 60 psig (0.3 to 4 bar)	F
3/8" (72, 74)	3	5 to 150 psig (0.3 to 10 bar)	M
1/2" (74)	4	10 to 250 psig (0.7 to 17 bar) (74)**	S
3/4" (74)	6	Adjustment	Substitute
Threads	Substitute	Knob	K
PTF	A	T-bar	T
ISO G parallel	G		

* Relief valve can be adjusted to pressures in excess of, and less than, those specified. Do not use these units to control pressures outside of the specified ranges.

** Units with 250 psig relief pressure range are available only with the T-bar adjustment; therefore substitute T at the 7th position and S at the 9th position.

Excelon® modular system

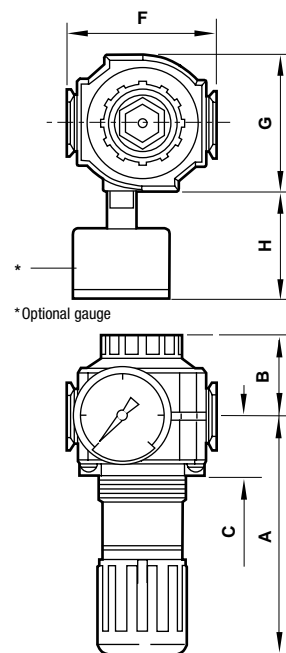
V72G, V74G Pressure Relief Valves

Dimensions in inches.

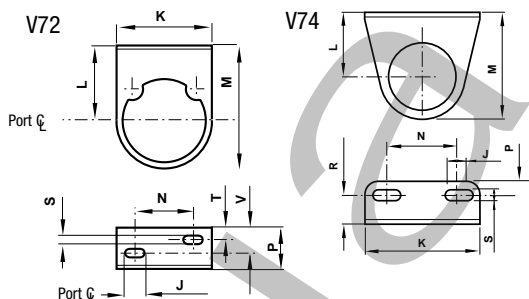
Accessories*

	Wall mounting bracket	Neck mounting bracket	Gauge 0 ... 160 psig	Plastic panel nut	Tamper resistant cover and seal wire	Pipe adapters (quantity of 1(NPT))	Quikclamp®	Quikclamp® and wall bracket
V72G	4224-50	74316-50	18-013-212	4248-89	4255-51	4215-02 (1/4) 4215-03 (3/8)	4214-51	4214-52 4213-89*
V74G	4324-50	4368-51	18-013-209	4348-89	4355-51	4315-02 (3/8) 4315-03 (1/2) 4315-04 (3/4)	4314-51	4314-52 4313-50*

* For additional options see website. ** Bracket only.



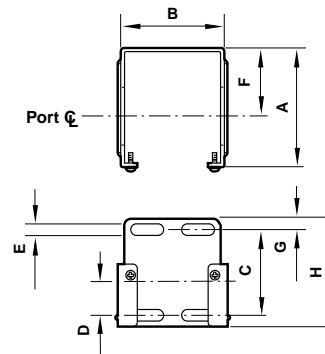
Neck mounting bracket



Series	J	K	L	M	N	P	R	S	T	V
72	0.31	1.93	1.50	2.50	1.18	0.94	-	0.17	0.31	0.59
74	0.94	3.50	2.05	3.39	2.20	1.38	0.91	0.28	-	-

Service Kit		
Item	Type	Part Number
74G	Diaphragm and Seal	4384-700

Mounting bracket



Series	A	B	C	D	E	F	G	H
72	2.36	1.65	1.54	0.73	0.16	1.50	0.24	2.01
74	3.11	2.72	1.97	0.79	0.20	2.01	0.24	2.40

Typical Performance Characteristics

