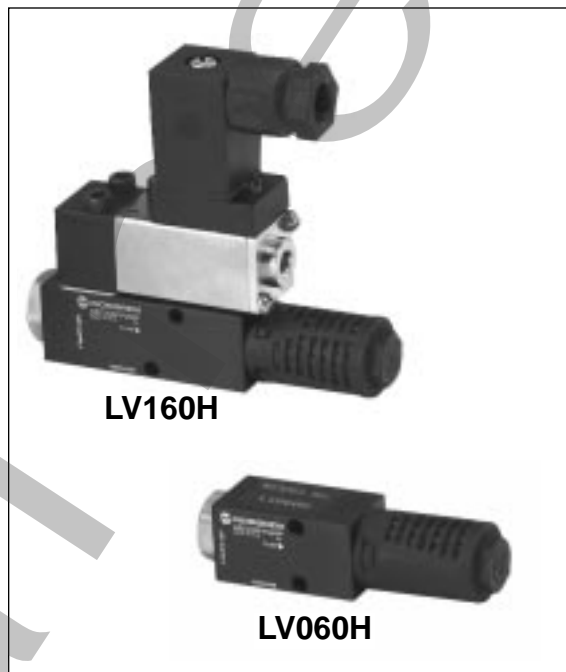


Product	Page
Ultravac Pumps	
LV Series	2
MV Series	4
BV Series	8
RR Pumps	12
NM Manifolds	16
Supervac Pumps	20
NJ Series Pumps	22
VV Series Pumps	26
AA Series Pumps	28
MT Series Pumps	30
Accessories Selection Guide	32
Sensors, Switches	33
Vacuum Cups	35
Filters	38
Silencers	39
Vacuum Pump Selection Guide	40

Application Selection Chart

Application	NJ-Series	Ultravac	VV	AA	MT	Manifold	Supervac
Air Bearing				●			
Air Wiper				●	●		
Automotive	●	●	●	●	●	●	●
Bag/Box Opening	●	●	●			●	
Blowoff				●	●		
Chip Removal				●	●		
Circuit Board Testing	●	●					
Cooling of Electronics				●			
Degassing	●	●	●			●	●
Dental/Hospital Suction	●	●					
Dust Removal				●	●		
Evacuation of Molds	●	●	●			●	●
Evaporation Control	●	●	●			●	●
Fume Removal				●	●		
Labeling Machines	●	●	●				
Loading Hoppers					●		
Mandrel Collection				●	●		
Paper Feeding/Printing	●	●	●	●			
Pick & Place							
Corrugated Sheet/Boxes	●	●	●				
Electronic Components	●	●					
Fragile Items	●	●	●			●	
Glass	●	●	●				
Metals	●	●	●				
Plastics	●	●	●				
Stone, Brick, Concrete			●				
Pneumatic Conveyor	●	●	●	●	●		
Powder Transfer					●		
Replace Raw Air Lines				●			
Unload Feeders					●		
Vacuum Chuck	●	●	●				
Vacuum Clamping	●	●	●			●	●
Vacuum Filling							
Filtration of Liquids/Creams	●	●					●
Liquids	●	●	●				
Powders	●	●	●				
Vacuum Impregnation	●	●	●		●		
Vacuum Molding	●	●	●				
Vacuum Packaging	●	●	●			●	
Vacuum Toilets	●	●	●				
Veneering	●	●					●

- **Compact, lightweight configurations ideal for small part pick and place applications.**
- **Fast evacuation of small vessels for purging**
- **Require little installation space and can be positioned close to the vacuum point for fast response.**
- **Integral valve ensures high cycle rates, no delay due to long plumbing lines.**
- **Modular design eliminates plumbing between components and speeds installation.**
- **Individual electrical connections for precise control of vacuum creation and the duration of blow-off.**



Technical Data

3 Way SV Valve

Valve Type: 3/2 Normally closed solenoid operated spring return

Valve Body Material: Anodized aluminum

Seal Material: Buna

Media: Filtered (50 micron), non-lubricated air

Operating Pressure: 0-150 PSI

Operating Temperature: 15°-140°F

Average Life: 100,000,000 cycles

Power Consumption:

AC - 110 VAC, 50/60 Hz, 1 Watt (w/o LED)

DC - 24 VDC, 2 Watt (w/LED)

Response Time: 8ms open, 15 ms closed

Cycle Rate: 2500 cycles per minute

Electrical Connection: DIN 40050

Manual Override: Standard with pushbutton

Venturi Specifications

Medium: Filtered (50 Micron), unlubricated air

Operating Pressure: 80 PSI

Operating Temperature: 15°-140°F

Operating Noise Level: 68 dBA

Material: Anodized aluminum, brass, and buna-N

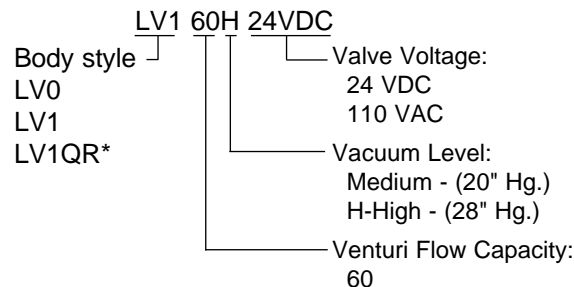
NORVAC venturi pumps are designed to operate at peak efficiency at **80 PSI**. Systems requiring operation at **60 PSI** should be ordered with the designate **-60** at the end of the part number, i.e. LV0160H24VDC-60

*Specify either 24vdc or 110vac when ordering.

Ordering Information

Choose a body style based on features and accessories. Venturi size is based on vacuum level and flow requirements. If required, indicate the valve operating voltage.

Order using the following designates:

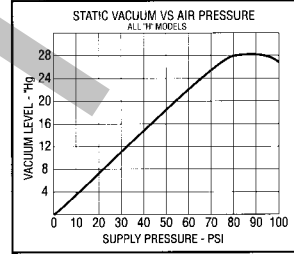
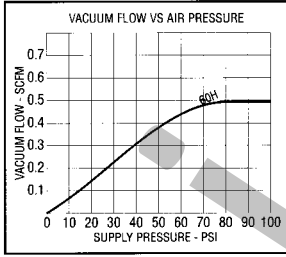
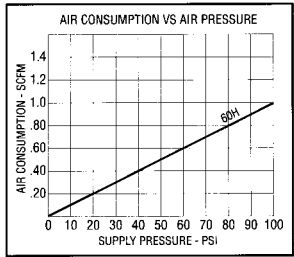


*Quick Action Blow-off

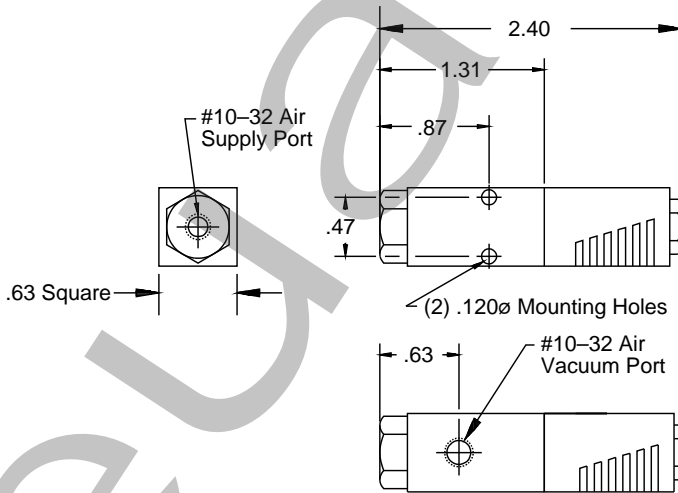


Performance Data

Model	Air Consump. (SCFM) @ 80 PSI	Vacuum Flow (scfm) vs. Vacuum Level ("Hg) @ 80 PSI										
		0"	3"	6"	9"	12"	15"	18"	21"	24"	27"	28"
60H	0.80	0.50	0.38	0.32	0.30	0.27	0.23	0.20	0.13	0.05	0.02	0.00
		Evacuation Time (seconds) for a 1 cu. ft. volume ("Hg)										
		0.00	15.00	29.80	50.60	74.50	102.80	135.90	183.20	245.90	410.20	790.80



LV060H



LV160H, LV1QRH

