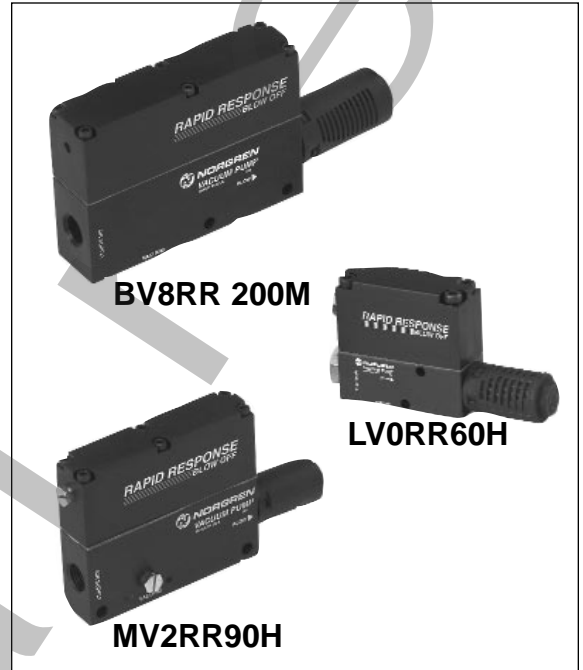


- Ideally suited for pick and place applications that require accurate part placement and rapid part release.
- No external plumbing or on-site assembly is required.
- Extremely fast part release.
- Accurate part positioning.
- One converter installation.
- Automatically cleans vacuum lines.
- Adjustable blow-off rate option available.



Technical Data

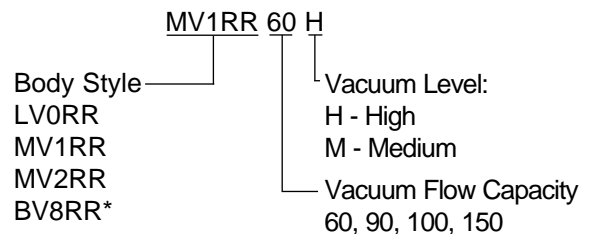
Operating Pressure range: 20 to 120 psi Optimum 80 psi
 Operating Temperature range: 32° to 125°F (0° to 52°C)
 Cycle rates: Up to 300/min.
 Positive Release Pressure: 0 psi
 Response Time: Instantaneous
 Orientation: Any Position
 Duration: Based on System Design
 Valve disc material: vinyl
 Replacement valve discs –
 Series LV: 10004
 Series MV: 10014

NORVAC venturi pumps are designed to operate at peak efficiency at 80 PSI. Systems requiring operation at 60 PSI should be ordered with the designate -60 at end of the part number, i.e. MVIRR100M60

Ordering Information

LV0RR-Available in the 60H Venturi size only.
 To order, use part number LVORR60H, MV1RR-, MV2RR-, from 60-150 "M" or "H".
 Choose any one of the 8 Venturi's listed in the below charts.

i.e. BV1RR 90H, BV8RR-choose 200M or H



*200 "M" or "H"



Performance data M Series Venturis Medium Vacuum Applications

The "M" series for "Medium" vacuum levels of up to 20" Hg for applications involving porous materials (cardboard, wood, fabric, etc.)

Model	Air Consumption (SCFM)@ 80 PSI	Vacuum Flow (scfm) vs. Vacuum Level ("Hg) @ 80 PSI							
		0"	3"	6"	9"	12"	15"	18"	20"
60M	0.50	0.50	0.40	0.30	0.22	0.15	0.08	0.03	0.00
90M	1.40	1.40	1.25	1.20	1.05	0.85	0.65	0.25	0.00
100M	1.80	2.10	2.00	1.85	1.75	1.60	1.25	0.80	0.00
150M	2.80	3.50	3.20	2.95	2.75	2.50	1.80	0.95	0.00
200M	4.80	6.00	5.30	4.90	4.00	3.50	2.50	1.10	0.00

Model	Evacuation Time (seconds) based on 1 cu. ft. Volume ("Hg)							
	0"	3"	6"	9"	12"	15"	18"	20"
60M	0.00	12.50	25.10	43.90	68.60	99.30	153.70	227.00
90M	0.00	3.75	7.20	12.40	19.10	29.90	52.00	104.00
100M	0.00	2.65	5.80	9.90	16.20	22.90	36.20	56.60
150M	0.00	1.35	3.20	5.20	7.70	11.80	23.40	52.00
200M	0.00	0.75	1.90	3.20	5.30	8.70	17.10	42.60

Performance Data H Series Venturis High Vacuum Applications

The "H" series for "High" vacuum levels of up to 28" Hg for applications involving non-porous materials (steel, plastic, glass, etc.)

Model	Air Consumption (SCFM)@ 80 PSI	Vacuum Flow (scfm) vs. Vacuum Level ("Hg) @ 80 PSI										
		0"	3"	6"	9"	12"	15"	18"	21"	24"	27"	28"
60H	0.80	0.50	0.38	0.32	0.30	0.27	0.23	0.20	0.13	0.05	0.02	0.00
90H	1.80	1.20	1.00	0.95	0.90	0.85	0.75	0.70	0.52	0.47	0.20	0.00
100H	2.80	2.00	1.85	1.75	1.57	1.40	1.25	1.05	0.84	0.70	0.35	0.00
150H	4.80	3.20	2.80	2.50	2.30	2.00	1.60	1.40	1.20	0.80	0.50	0.00
200H	7.80	5.40	4.70	3.85	3.30	3.00	2.60	2.10	1.60	1.20	0.60	0.00

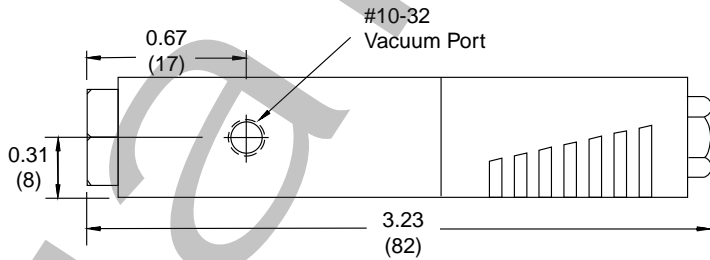
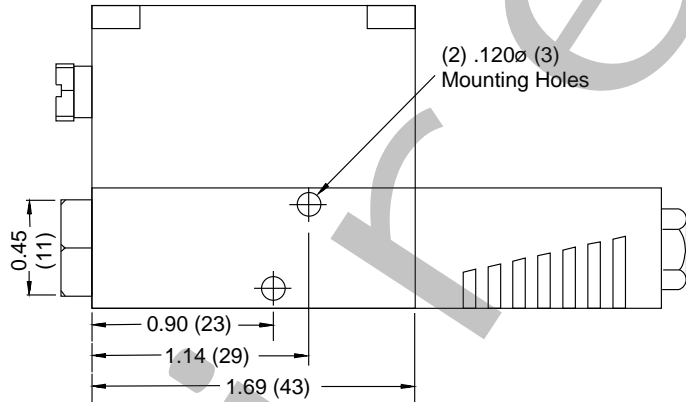
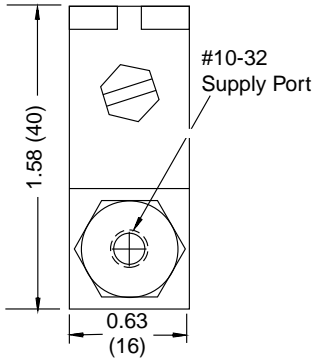
Model	Evacuation Time (seconds) based on 1 cu. ft. Volume ("Hg)										
	0"	3"	6"	9"	12"	15"	18"	21"	24"	27"	28"
60H	0.00	15.00	29.80	50.60	74.50	102.80	135.90	183.20	245.90	410.20	790.80
90H	0.00	6.50	12.30	18.90	32.50	47.00	65.40	92.20	130.00	222.20	281.30
100H	0.00	2.70	6.50	11.20	17.50	25.80	38.40	55.20	79.20	166.70	251.80
150H	0.00	2.30	3.80	6.50	10.20	14.10	21.30	44.90	55.00	81.00	125.00
200H	0.00	1.20	2.10	3.40	5.20	7.70	11.50	20.00	35.50	62.60	98.10



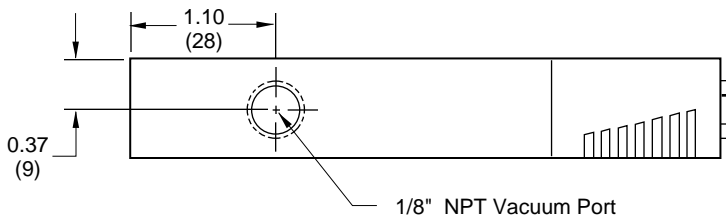
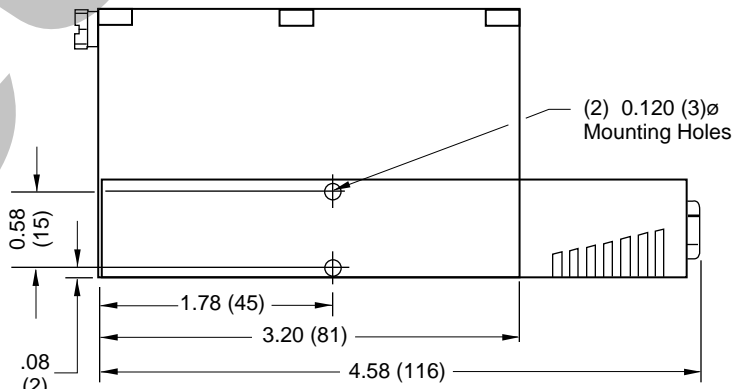
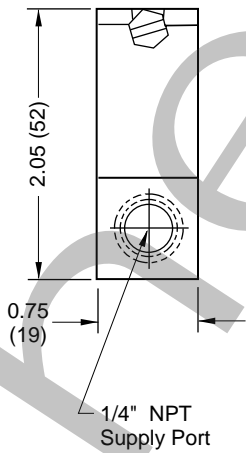
Rapid Response Blow Off Vacuum

All Dimensions in Inches (mm)

MV0RR60H

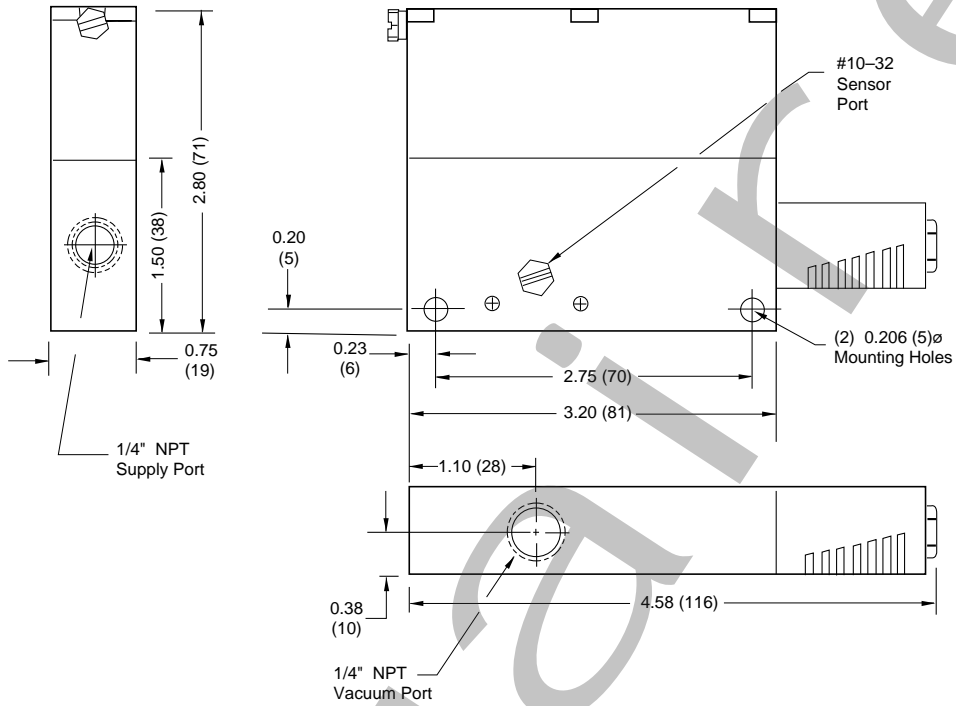


MV1RR





MV2RR



BV8RR

