

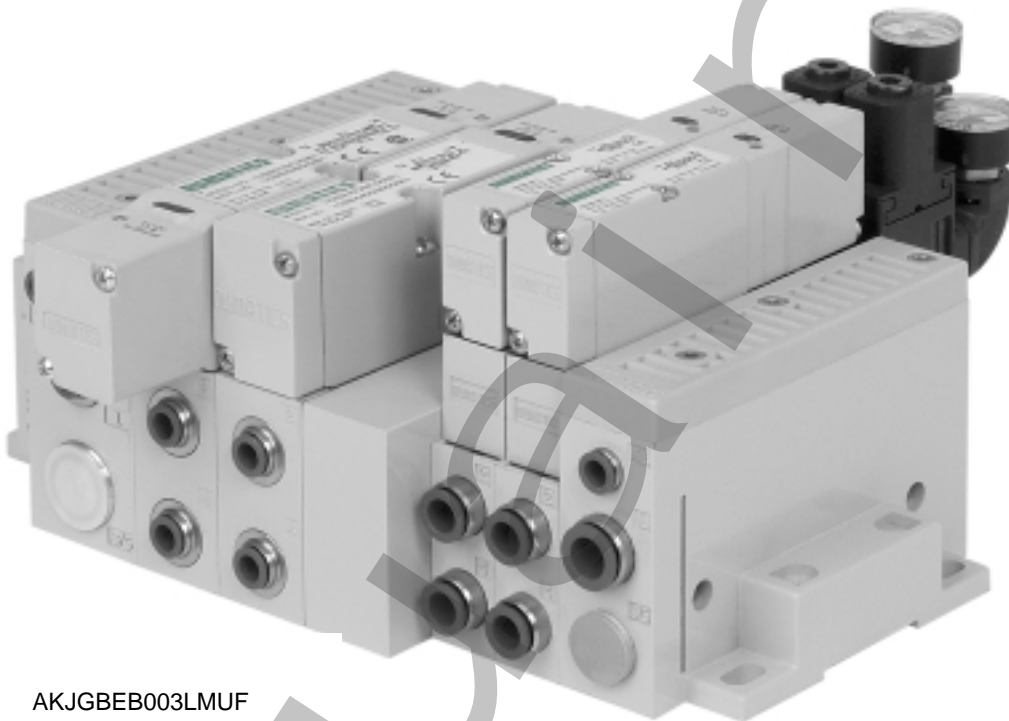


Transition Plate
2005 & 2012 Series

Adaptor Plate Kits

239-1965

This kit includes the adaptor plate, transfer board, gasket, screws, and studs. Individual end plates for the 2005 and 2012 are not included. This adaptor allows the transition from the 2012 to the 2005 series.



Example order

Adaptor Plate Kit AKJGBEB003LMUF
122BB4Z2ML00061
122BA4Z1ML00061
053BA4Z1ML00061
053BA4Z1ML00061
ASSEMBLED

Adaptor Plate Kit with Standard End Plates
("STD" Option)

| DESCRIPTION | PART NO. |
|--|----------|
| 2005 with 3/8 NPTF - 2012 with 3/8 and 1/2 NPTF | 239-2064 |
| 2005 with 3/8 G-Tap - 2012 with 3/8 and 1/2 G-Tap | 239-2068 |
| 2005 with 3/8 Push-in - 2012 with 3/8 and 1/2 Push-in | 239-2072 |
| 2005 with 10 mm Push-in - 2012 with 10 & 14 mm Push-in | 239-2076 |

Adaptor Plate Kit with Standard End Plates
and Muffler ("MUF" Option)

| DESCRIPTION | PART NO. |
|--|----------|
| 2005 with 3/8 NPTF - 2012 with 3/8 and 1/2 NPTF | 239-2065 |
| 2005 with 3/8 G-Tap - 2012 with 3/8 and 1/2 G-Tap | 239-2069 |
| 2005 with 3/8 Push-in - 2012 with 3/8 and 1/2 Push-in | 239-2073 |
| 2005 with 10 mm Push-in - 2012 with 10 & 14 mm Push-in | 239-2077 |

Adaptor Plate Kit with Standard End Plates
and DIN Rail Mount ("DRM" Option)

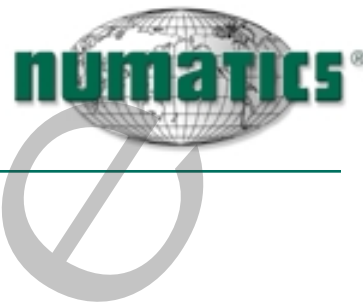
| DESCRIPTION | PART NO. |
|--|----------|
| 2005 with 3/8 NPTF - 2012 with 3/8 and 1/2 NPTF | 239-2066 |
| 2005 with 3/8 G-Tap - 2012 with 3/8 and 1/2 G-Tap | 239-2070 |
| 2005 with 3/8 Push-in - 2012 with 3/8 and 1/2 Push-in | 239-2074 |
| 2005 with 10 mm Push-in - 2012 with 10 & 14 mm Push-in | 239-2078 |

Adaptor Plate Kit with Standard End Plates,
Muffler and DIN Rail Mount ("DWM" Option)

| DESCRIPTION | PART NO. |
|--|----------|
| 2005 with 3/8 NPTF - 2012 with 3/8 and 1/2 NPTF | 239-2067 |
| 2005 with 3/8 G-Tap - 2012 with 3/8 and 1/2 G-Tap | 239-2071 |
| 2005 with 3/8 Push-in - 2012 with 3/8 and 1/2 Push-in | 239-2075 |
| 2005 with 10 mm Push-in - 2012 with 10 & 14 mm Push-in | 239-2079 |



Assembly Kits
2005 & 2012 Series



Manifold Assembly

2005 Series

AK J E D 0000 3 L STD

Electrical/Electronics
Type & Location

- F = Terminal Strip 1-16
- T = Terminal Strip 1-32
- J = 25 Pin Sub-D
- M = 37 Pin Sub-D
- R = 26 Pin Round Connector
- S = 26 + 12 Pin Round Connector
- C = For Fieldbus Electronics, See Electronics Section

Valve Series

- E = 2005 Series

Number of Valve Stations

- | | | | |
|-------|--------|--------|--------|
| A = 1 | I = 9 | Q = 17 | Y = 25 |
| B = 2 | J = 10 | R = 18 | Z = 26 |
| C = 3 | K = 11 | S = 19 | 2 = 27 |
| D = 4 | L = 12 | T = 20 | 3 = 28 |
| E = 5 | M = 13 | U = 21 | 4 = 29 |
| F = 6 | N = 14 | V = 22 | 5 = 30 |
| G = 7 | O = 15 | W = 23 | 6 = 31 |
| H = 8 | P = 16 | X = 24 | 7 = 32 |

Options

- STD = Standard
- DRM = DIN Rail Mounting
- MUF = Muffler in End Plates
- DWM = DIN Rail with MUF
- 14X = External Pilot

Port Type

- L = Push-in
- N = NPTF
- G = G Tap

End Plate Port Size 2005

- 3 = Port type L, N or G
Port 1 = 3/8 Port 3/5 = 3/8
- K = Port type L only
Port 1 = 10mm Port 3/5 = 10mm

2012 Series

A K J G D 0000 3 L STD

Electrical Connection
Type & Location

- F = Terminal Strip 1-16
- T = Terminal Strip 1-32
- J = 25 Pin Sub-D
- M = 37 Pin Sub-D
- R = 26 Pin Round Connector
- S = 26 + 12 Pin Round Connector
- C = For Fieldbus Electronics, See Electronics Section

Valve Series

- G = 2012 Series

Number of Valve Stations*

- | | | | |
|-------|--------|--------|--------|
| A = 1 | I = 9 | Q = 17 | Y = 25 |
| B = 2 | J = 10 | R = 18 | Z = 26 |
| C = 3 | K = 11 | S = 19 | 2 = 27 |
| D = 4 | L = 12 | T = 20 | 3 = 28 |
| E = 5 | M = 13 | U = 21 | 4 = 29 |
| F = 6 | N = 14 | V = 22 | 5 = 30 |
| G = 7 | O = 15 | W = 23 | 6 = 31 |
| H = 8 | P = 16 | X = 24 | 7 = 32 |

Options

- STD = Standard
- DRM = DIN Rail Mounting
- MUF = Muffler in End Plates
- DWM = DIN Rail with MUF
- A06 = End Plate with Ports on Left End Only, Mounting Plate Only on Right End
- D10 = A06 w/DIN Rail Mounting
- D11 = A06 w/Muffler in End Plates
- F05 = A06 w/DIN Rail with MUF
- 14X = External Pilot

Port Type

- L = Push-in
- N = NPTF
- G = G Tap

End Plate Port Size 2012

- 3 = Port Type L, N or G
Port 1 = 3/8 Port 3/5 = 1/2
- 2 = Port Type L only
Port 1 = 1/4 Port 3/5 = 3/8
- H = Port Type L only
Port 1 = 8mm Port 3/5 = 12mm
- K = Port Type L only
Port 1 = 10mm Port 3/5 = 14mm

Maximum Solenoid Outputs

| TERMINAL STRIP | | 25 PIN SUB-D | 37 PIN SUB-D | 26 PIN ROUND | 26 + 12 PIN ROUND |
|----------------|--------|--------------|--------------|--------------|-------------------|
| AK "F" | AK "T" | AK "J" | AK "M" | AK "R" | AK "S" |
| 16 | 32 | 22 | 32 | 22 | 32 |

*NOTE: Maximum number of valve stations is determined by:

- The electrical connection type.
- The valve type - single solenoid valves up to the maximum solenoid outputs allowed by the electrical connection type (see chart above) or a combination of single and/or double solenoid valves not to exceed the maximum number of solenoid outputs allowed.



AKJ or AKM 25 or 37 Pin Sub-D

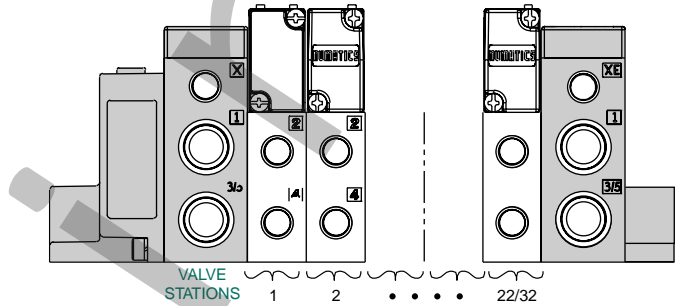
- Shaded components described by Assembly Kit (AK) model number designation (see #1, page 42).
- Each valve manifold station is listed in sequential order from left to right when facing the port side of the manifold as indicated.

Example order: (2005)

| | |
|-----------------|-----------------|
| 25 Pin Sub-D | AKJED00003NSTD |
| valve station 1 | 051BA4Z1MN00061 |
| valve station 2 | 051BA4Z1MN00061 |
| valve station 3 | 051BB4Z2MN00061 |
| valve station 4 | 051BB5Z2MN00061 |
| | ASSEMBLED |

Example order: (2012)

| | |
|-----------------|-----------------|
| 37 Pin Sub-D | AKMGD00003GMUF |
| valve station 1 | 123BA4Z1ML00061 |
| valve station 2 | 123BA4Z1ML00061 |
| valve station 3 | 123BB5Z2ML00061 |
| valve station 4 | 123BB6Z2ML00061 |
| | ASSEMBLED |

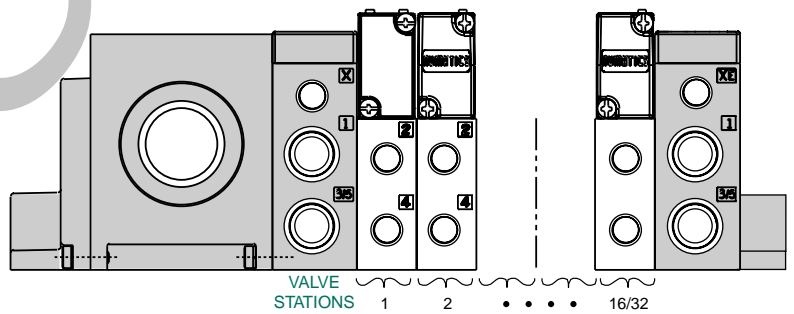


AKF or AKT 1-16 or 1-32 Terminal Strip

- Ordered using the same method as Sub-D:

Example order: (2005)

| | |
|-----------------|-----------------|
| valve station 1 | AKFEF00003LDRM |
| valve station 2 | 05HBA4Z1ML00061 |
| valve station 3 | 05HBA4Z1ML00061 |
| valve station 4 | 05HBB4Z2ML00061 |
| valve station 5 | 05HBB4Z2ML00061 |
| valve station 6 | 05HBB5Z2ML00061 |
| | 05HBB6Z2ML00061 |
| | ASSEMBLED |

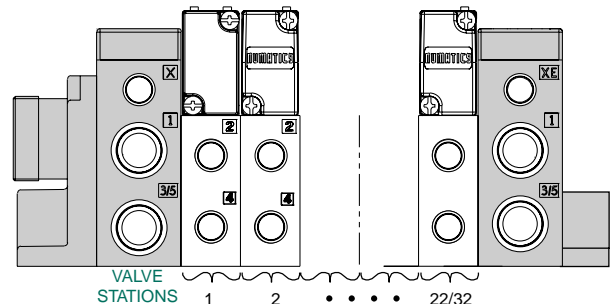


AKR or AKS 26 or 26+12 Pin Round Connector

- Ordered using the same method as Sub-D:

Example order: (2012)

| | |
|-----------------|-----------------|
| valve station 1 | AKRGH00003LDWM |
| valve station 2 | 123BA4Z1ML00061 |
| valve station 3 | 123BA4Z1ML00061 |
| valve station 4 | 123BA4Z1ML00061 |
| valve station 5 | 123BB4Z6ML00061 |
| valve station 6 | 123BB4Z6ML00061 |
| valve station 7 | 123BB5Z6ML00061 |
| valve station 8 | 123BB5Z6ML00061 |
| | ASSEMBLED |

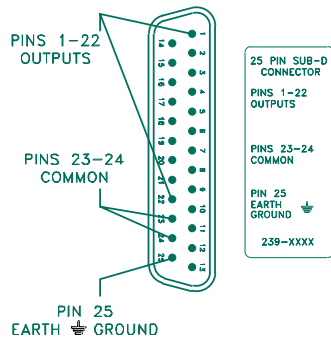
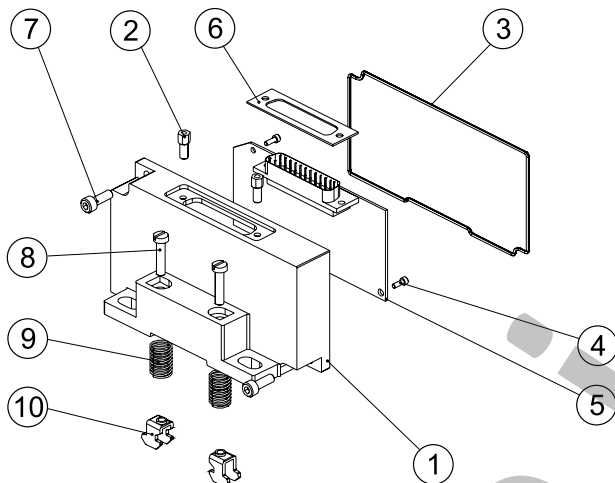




Assembly Kits
2005 & 2012 Series



25 Pin Sub-D Connector Kit

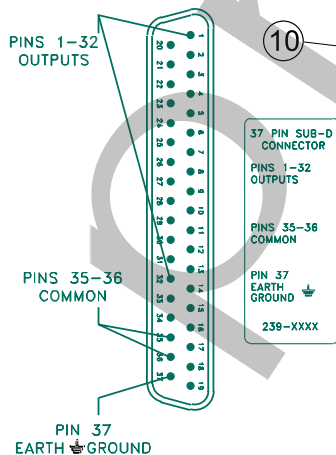
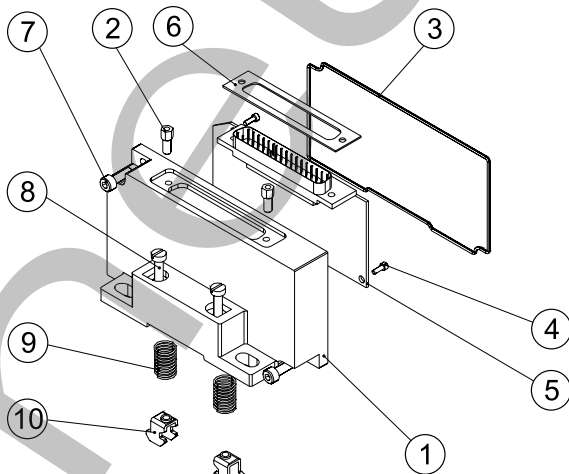


NOTE: External fusing or output protection recommended.

| 25 PIN SUB-D HOUSING KITS | | PART NO. |
|---------------------------|--|----------|
| Without DIN Rail | | 239-1174 |
| With DIN Rail | | 239-1175 |

| DET. NO. | NO. REQ'D | PART NAME | PART NO. |
|----------|-----------|------------------------|----------|
| 1 | 1 | Housing | 105-401 |
| 2 | 2 | Hex Screw | 127-825 |
| 3 | 1 | Gasket | 113-531 |
| 4 | 2 | Screw | 127-318 |
| 5 | 1 | PCB Ass'y | 256-607 |
| 6 | 1 | Gasket | 113-507 |
| 7 | 2 | Screw Ass'y | 127-396 |
| 8 | 2 | Screw (DIN Rail Only) | 127-472 |
| 9 | 2 | Spring (DIN Rail Only) | 115-355 |
| 10 | 2 | Clamp (DIN Rail Only) | 125-720 |

37 Pin Sub-D Connector Kit



NOTE: External fusing or output protection recommended.

| 37 PIN SUB-D HOUSING KITS | | PART NO. |
|---------------------------|--|----------|
| Without DIN Rail | | 239-1180 |
| With DIN Rail | | 239-1181 |

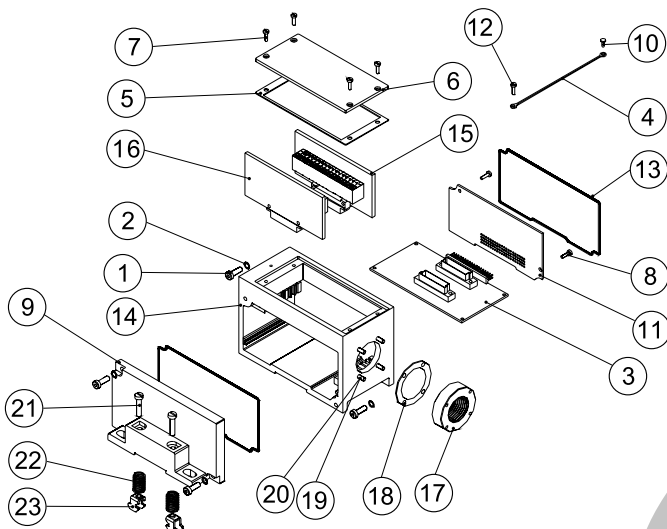
| DET. NO. | NO. REQ'D | PART NAME | PART NO. |
|----------|-----------|------------------------|----------|
| 1 | 1 | Housing | 105-402 |
| 2 | 2 | Hex Screw | 127-825 |
| 3 | 1 | Gasket | 113-531 |
| 4 | 2 | Screw | 127-318 |
| 5 | 1 | PCB Ass'y | 256-608 |
| 6 | 1 | Gasket | 113-530 |
| 7 | 2 | Screw Ass'y | 127-396 |
| 8 | 2 | Screw (DIN Rail Only) | 127-472 |
| 9 | 2 | Spring (DIN Rail Only) | 115-355 |
| 10 | 2 | Clamp (DIN Rail Only) | 125-720 |



Assembly Kits
2005 & 2012 Series



1-16 & 1-32 Terminal Strip Kit



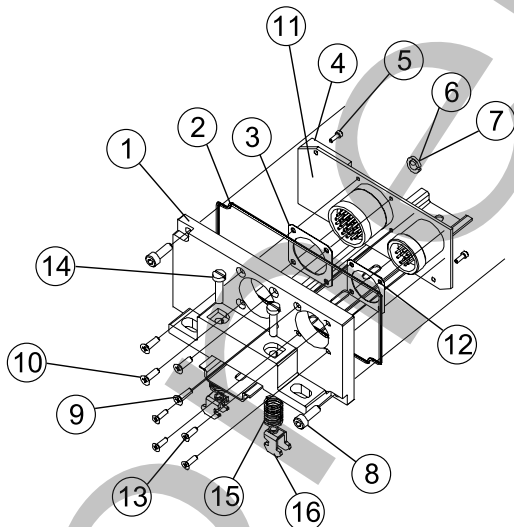
NOTE: External fusing or output protection recommended.

TERMINAL STRIP
TERMINALS
1-32 OUTPUTS
TERMINAL COM
COMMON
TERMINAL GND
EARTH
GROUND
18 AWG WIRE
MAXIMUM

| TERMINAL STRIP HOUSING KITS | PART NO. |
|-----------------------------|----------|
| Without DIN Rail, 1-16 Sol. | 239-1229 |
| With DIN Rail, 1-16 Sol. | 239-1230 |
| Without DIN Rail, 1-32 Sol. | 239-1231 |
| With DIN Rail, 1-32 Sol. | 239-1232 |

| DET. NO. | NO. REQ'D | PART NAME | PART NO. |
|----------|-----------|------------------------|----------|
| 1 | 4 | Screw | 127-697 |
| 2 | 4 | Lockwasher | 128-188 |
| 3 | 1 | Backplane board | 256-618 |
| 4 | 1 | Cover Strap | 125-772 |
| 5 | 1 | Gasket | 113-533 |
| 6 | 1 | Cover | 105-405 |
| 7 | 4 | Screw | 127-852 |
| 8 | 1 | Screw | 127-318 |
| 9 | 1 | DIN Rail Cover PT | 105-403 |
| 10 | 1 | Screw | 127-180 |
| 11 | 1 | Converter BRD | 256-645 |
| 12 | 2 | Screw | 127-794 |
| 13 | 2 | Gasket | 113-531 |
| 14 | 1 | Housing | 125-844 |
| 15 | 1 | Terminal Strip (1-16) | 256-617 |
| 16 | 1 | Terminal Strip (17-32) | 256-619 |
| 17 | 1 | Adaptor | 119-659 |
| 18 | 1 | Gasket | 113-542 |
| 19 | 4 | Screw | 127-879 |
| 20 | 4 | Lockwasher | 128-192 |
| 21 | 2 | Screw (DIN Rail Only) | 127-472 |
| 22 | 2 | Spring (DIN Rail Only) | 115-355 |
| 23 | 2 | Clamp (DIN Rail Only) | 125-720 |

26 Pin & 26 + 12 Pin Round Connector Kit



26 PIN ROUND CONNECTOR
PINS 1-22
OUTPUTS
PINS 24-25
COMMON
PIN 26
EARTH
GROUND

26 PIN ROUND CONNECTOR
PINS 1-22
OUTPUTS 1-22
PINS 24-25
COMMON
PIN 26
EARTH
GROUND
12 PIN ROUND CONNECTOR
PINS 1-10
OUTPUTS 23-32

26 Pin

26 Pin + 12 Pin

| 26 PIN ROUND KIT | PART NO. |
|------------------------|----------|
| Without DIN | 239-1184 |
| With DIN | 239-1185 |
| 26 + 12 PIN ROUND KITS | PART NO. |
| Without DIN | 239-1376 |
| With DIN | 239-1377 |

| DET. NO. | NO. REQ'D | PART NAME | PART NO. |
|----------|-----------|---------------------------|----------|
| 1 | 1 | Cover (26 Pin Only) | 105-408 |
| 1 | 1 | Cover (26 + 12 Pin Only) | 105-421 |
| 2 | 1 | Gasket | 113-531 |
| 3 | 1 | Gasket | 113-353 |
| 4 | 1 | 26 PCB Ass'y | 256-624 |
| 4 | 1 | 26 + 12 PCB Ass'y | 256-688 |
| 5 | 2 | Screw | 127-875 |
| 6 | 1 | Lockwasher | 128-294 |
| 7 | 1 | Hex Nut | 128-293 |
| 8 | 2 | Screw Ass'y | 127-396 |
| 9 | 3 | Screw | 127-810 |
| 10 | 1 | Screw | 127-770 |
| 11 | 1 | Shield (26 + 12 Pin Only) | 140-759 |
| 12 | 1 | Gasket (26 + 12 Pin Only) | 113-354 |
| 13 | 4 | Screw (26 + 12 Pin Only) | 127-811 |
| 14 | 2 | Screw (DIN Rail Only) | 127-742 |
| 15 | 2 | Spring (DIN Rail Only) | 115-355 |
| 16 | 2 | Clamp (DIN Rail Only) | 125-720 |

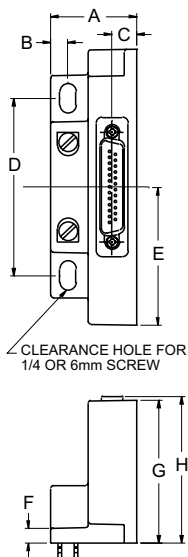
NOTE: External fusing or output protection recommended.

- 12 POLE ROUND FEMALE CABLE 20 AWG-UNSHIELDED
USED WITH 26+12 POLE MANIFOLDS (AKS)
230-960 - Connector w/o cable-solder cup version
230-879 - Connector w/o cable-crimp contact version
2 METER - CC1202MB00000000
5 METER - CC1205MB00000000
10 METER - CC1210MB00000000
- 26 POLE ROUND FEMALE CABLE 20 AWG-UNSHIELDED
USED WITH 26+12 & 26 POLE MANIFOLDS (AKR) & (AKS)
230-1070 - Connector w/o cable-solder cup version
230-742 - Connector w/o cable-crimp contact version
2 Meter - CC2602MB00000000
5 Meter - CC2605MB00000000



Electrical Interface

25 Pin Sub-D

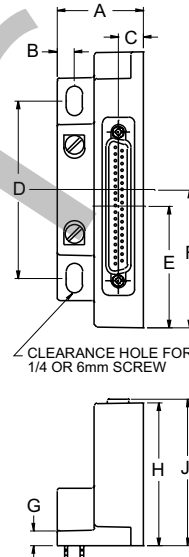


Dimensions

top dimensions = inches
bottom dimensions (in parenthesis) = millimeters

| A | B | C | D | E | F | G | H |
|--------|-------|--------|--------|--------|-------|--------|--------|
| 1.45 | 0.29 | 0.42 | 2.98 | 2.32 | 0.25 | 2.40 | 2.47 |
| (36.8) | (7.4) | (10.7) | (75.7) | (58.9) | (6.3) | (61.0) | (62.7) |

37 Pin Sub-D

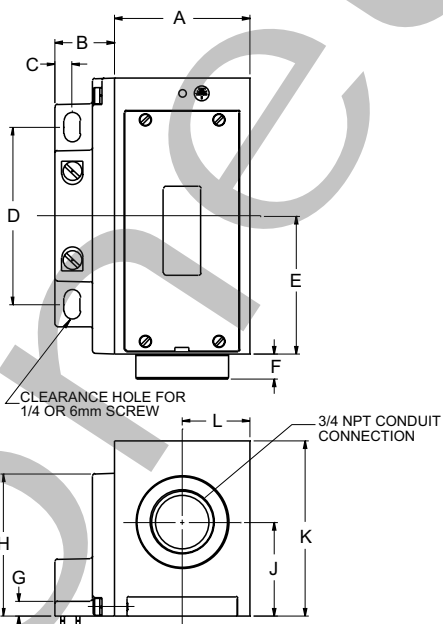


Dimensions

top dimensions = inches
bottom dimensions (in parenthesis) = millimeters

| A | B | C | D | E | F | G | H | J |
|--------|-------|--------|--------|--------|--------|-------|--------|--------|
| 1.45 | 0.29 | 0.42 | 2.98 | 2.04 | 2.32 | 0.25 | 2.40 | 2.47 |
| (36.8) | (7.4) | (10.7) | (75.7) | (51.8) | (58.9) | (6.3) | (61.0) | (62.7) |

Terminal Strip 1-16 & 1-32

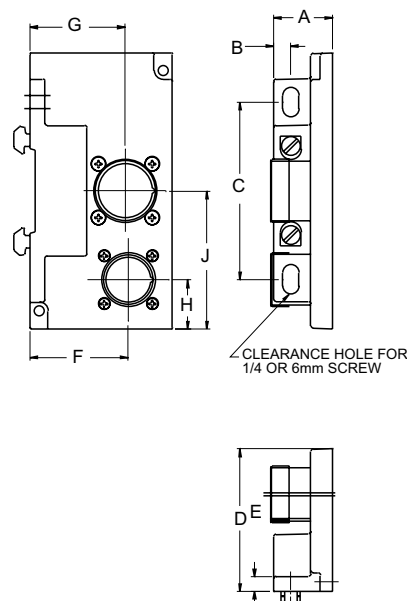


Dimensions

top dimensions = inches
bottom dimensions (in parenthesis) = millimeters

| A | B | C | D | E | F | G | H | J | K | L |
|--------|--------|-------|--------|--------|--------|-------|--------|--------|--------|--------|
| 2.28 | 1.00 | 0.29 | 2.98 | 2.32 | 0.43 | 0.25 | 2.40 | 1.58 | 2.95 | 1.14 |
| (57.9) | (25.4) | (7.4) | (75.7) | (58.9) | (10.9) | (6.3) | (61.0) | (40.1) | (74.9) | (29.0) |

26 Pin & 26 + 12 Pin Round Connector



Dimensions

top dimensions = inches
bottom dimensions (in parenthesis) = millimeters

| A | B | C | D | E | F | G | H | J |
|--------|-------|--------|--------|-------|--------|--------|--------|--------|
| 1.00 | 0.29 | 2.98 | 2.40 | 0.25 | 1.66 | 1.61 | 0.82 | 2.32 |
| (25.4) | (7.4) | (75.7) | (61.0) | (6.3) | (42.2) | (40.9) | (20.8) | (58.9) |