



Valves



# ***2035 Series***

## ***Solenoid Pilot Actuated Valves***

*We're everywhere you need us to be!*

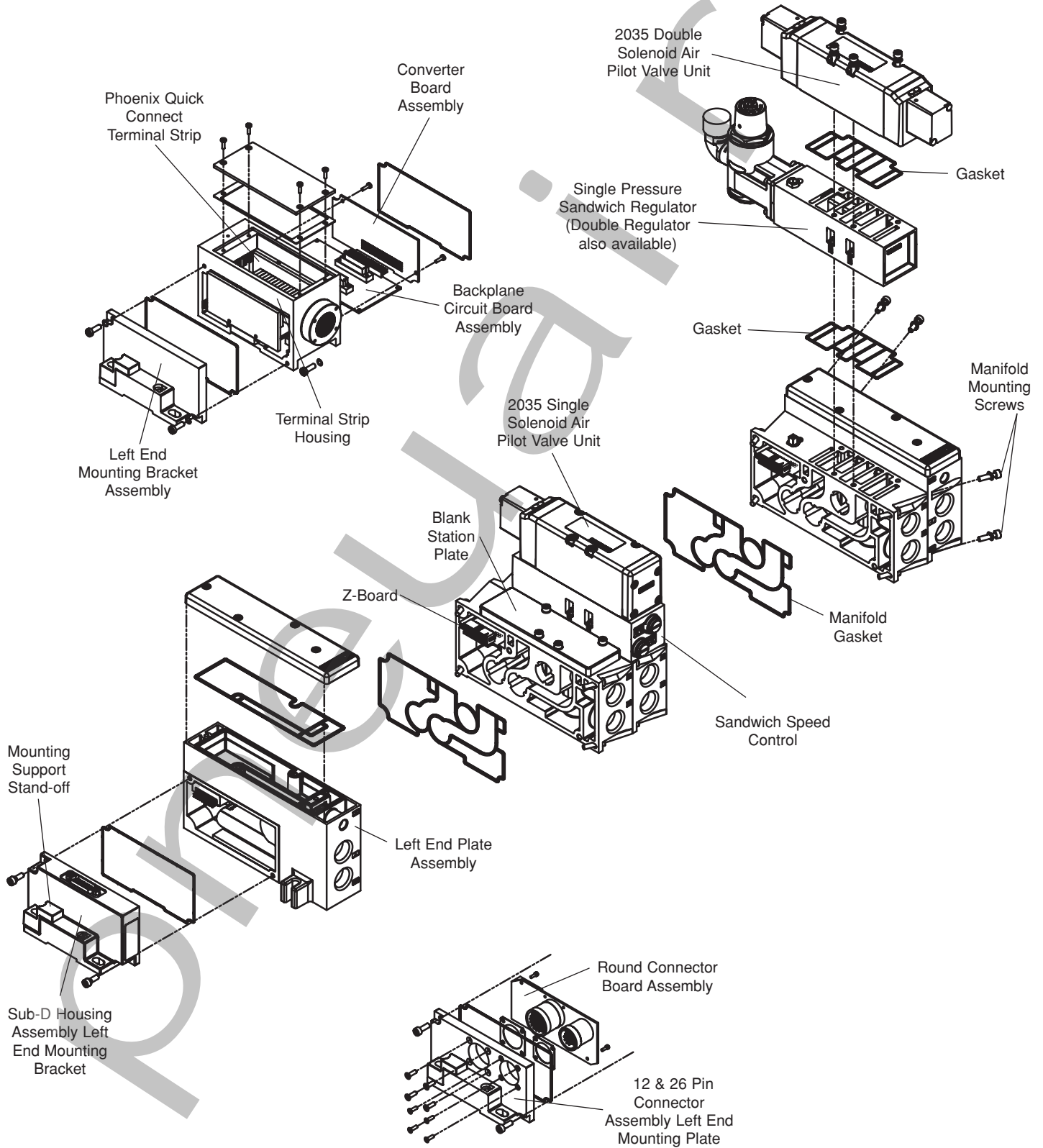


<b>2035 Series</b> .....	3-21
Terminal Strip, Sub-D, and Round Connector Options .....	2
Technical and Operating Data .....	3
How to Order-Valves and Regulators .....	4
How to Order-Manifold Assembly .....	5
25 or 37 Pin Sub-D Ordering Example .....	6
1-16 or 1-32 Terminal Strip Ordering Example .....	6
12 Pin, 26 or 26+12 Pin Round Connector Ordering Example .....	6
Sandwich Pressure Regulators .....	7
Valve Regulator/Speed Control Plug-in Assembly .....	8
Regulator Kits & Service Parts .....	8
Sandwich Pressure Regulator Dimensions .....	9
Gauge Kit .....	9
Mid-Station Supply and Exhaust Block .....	10
Sandwich Pressure Block .....	10
Sandwich Exhaust Block .....	10
Speed Control Kit .....	11
Blank Station Plate .....	11
Z-Board .....	12
Solenoid Pilot Assembly .....	12
Valve Service Kits and Parts .....	13
Manifold Assemblies .....	14
Ribbon Cable Assembly Kit .....	14
Internal/External Pilot Selection .....	15
Internal Pilot Plug .....	15
Blocking Disc .....	15
Internal Muffler .....	15
End Plate Kits .....	16
Adaptor Plate Kits .....	17
25 Pin Sub-D Connector Kit .....	18
37 Pin Sub-D Connector Kit .....	18
1-16 & 1-32 Terminal Strip Kit .....	19
12 Pin, 26 Pin & 26+12 Pin Round Connector Kit .....	19
Valve on Manifold Block .....	20
Manifold Assembly Dimensions .....	21
Electrical Interface Dimensions .....	22
<b>G2-2 Electronics</b> .....	23-40
G2-2 Fieldbus Communications Electronics .....	23
DeviceNet .....	24
ControlNet .....	25
Allen Bradley 1771 Remote I/O .....	26
DeviceLogix .....	27
Ethernet .....	28
Interbus-S .....	29
Profibus DP (1.5 MBps & 12 MBps) .....	30
Discrete I/O Modules .....	31
How to Order-Fieldbus Electronics .....	32
Ordering Example .....	33
Communication Module Kit .....	34
Manual Configuration Module (MCM) Kit .....	34
Input/Output Module Kit 4/8 .....	35
Input/Output Module Kit 8/16 .....	35
25 Pin Sub-D Connector Input .....	36
Dual 15 Pin Sub-D Connector Input .....	36
25 Pin Sub-D Connector Output Module w/ Aux. Power Connector .....	37
Dual 25 Pin Sub-D Connector Output Module w/ Aux. Power Connector .....	37
Valve Side Sub-D Output Modules .....	38
Left Mounting Cover Assembly .....	39
Right Mounting Cover Assembly and Adapter Plate .....	39
Dimensional Drawings G2-2 Fieldbus Communication Assembly .....	40



2035 Series

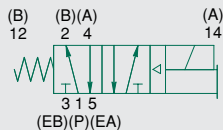
Terminal Strip, Sub-D, and Round Connector Options  
(exploded view)



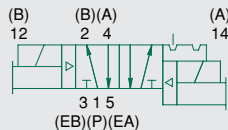


2035 Series

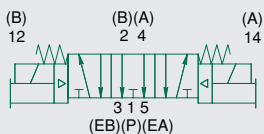
single solenoid air pilot  
2 position 4-way



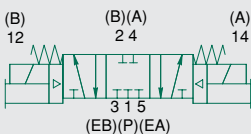
double solenoid air pilot  
2 position 4-way



double solenoid air pilot  
3 position 4-way  
open center



double solenoid air pilot  
3 position 4-way  
closed center



5 Ported, 2 and 3 position, 4-way, Spool & Sleeve  
Cv: 3.5

- Solenoid air pilot actuated
- Low wattage plug-in - 2.5 watt for DC application
- DC solenoids polarity insensitive with surge suppression
- Plug together circuit boards eliminate internal wiring
- Integral recessed gaskets
- Simple conversion from internal to external pilot supply
- Modular plug-together fieldbus electronics
- Designed to meet NEMA4/IP65
- Manifold connection allows disassembly at any station



Technical Data

VALVE DATA	ENGLISH	METRIC
Cv*	3.5*	3.5*
Flow Capacity	161 SCFM @ 80 PSIG upstream pressure to atmosphere	3500 NI/m @ 6 bar upstream pressure to 5 bar atmosphere
Operating Pressure Range	28" Hg. Vacuum to 145 PSIG	Vacuum to 10 bar
Pilot Pressure Range	26.1 to 120 PSIG	1.8 to 8.2 bar
Temperature Range (Ambient)	-10°F to +115°F	-23°C to +46°C

Operating Data

ALL SOLENOIDS ARE CONTINUOUS DUTY RATED	24 VDC	110-120 VAC / 50/60 Hz.		
Power (Watts)	2.5	4.2		
Holding Current (Amps)	0.10	0.03		
RESPONSE TIME IN SECONDS**	ENERGIZE	DE-ENERGIZE	ENERGIZE	DE-ENERGIZE
2 - Position, Single, Spring Return	.021	.067	.015	.070
2 - Position, Double, Detented	.017	N/A	.015	N/A
3 - Position, Spring Centered	.021	.072	.018	.080

\* Valve on 1/2 NPTF Sub-Plate  
\*\* Per ISO12238 Standard



2035 Series

How to Order

Valves

353 BB 4 Z6 M N 000 61

Valve Series & Port Size

353\* = 3/8  
354 = 1/2

\*Use for valve unit only (Mounting = 00)

Valve Type

BA = Single Solenoid Pilot, (Spring Return)  
w/Flush Non-Locking Override  
BB = Double Solenoid Pilot w/Flush  
Non-Locking Override  
00 = Blank Station Plate

Function

4 = 2 Position, 4-way  
5 = 3 Position, 4-way Open Center  
6 = 3 Position, 4-way Closed Center  
P = Blank Station Plate

Mounting

00 = Valve Unit only  
Z1 = Manifold Block w/Side and Bottom Ports,  
Single Solenoid Internal Circuit Board  
Z2 = Manifold Block w/Side and Bottom Ports,  
Double Solenoid Internal Circuit Board  
Z5 = Z1 w/Speed Control  
Z6 = Z2 w/Speed Control  
R1 = Z1 w/ Ribbon Cable Connector  
R2 = Z2 w/ Ribbon Cable Connector  
R5 = Z5 w/ Ribbon Cable Connector  
R6 = Z6 w/ Ribbon Cable Connector

Voltage

20 = 24/50-60 VAC  
30 = 110-120/50-60 VAC  
60 = 12 VDC  
61 = 24 VDC  
00 = Blank Station Plate

Special Options

11B = Flush Locking, Override  
11M = No Override  
000 = No Option or Blank Station Plate

Port Type

N = NPTF  
G = G Tap  
0 = Valve Unit only

Wiring Option

K = Plug-in AC w/Light  
M = Plug-in DC w/Light  
0 = Blank Station Plate

Regulators

353 RS 3 Z1 J N 000 00

Valve Series & Port Size

353\* = 3/8  
354 = 1/2

\*Use for regulator unit only (Mounting = 00).

Regulator Type

RS = Single Pressure to Port 1 (P)  
RD = Dual Pressure to Ports 3 (EB) & 5 (EA)  
RC = Dual Pressure w/Non-relieving Checks  
RQ = Dual Pressure w/Relieving Checks  
RE = Dual Pressure to Ports 4 (A) & 2 (B)  
RT = 2 Pressure Selector

Note: For metric gauge, replace R with E  
in 4th digit.

Pressure Range

1 = 10-130 PSIG (0.7-9 bar)  
3 = 3-30 PSIG (0.2-2 bar)  
4 = 5-60 PSIG (0.5 - 4 bar)

Special Options

12H = Less gauge  
16N = Jumper on 14 (A) End  
16P = Jumper on 12 (B) End  
16W = Top Facing Gauge  
000 = No Option

Port Type

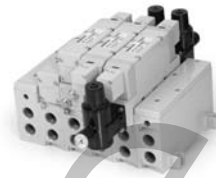
N = NPTF  
G = G Tap  
0 = Regulator Unit Only

Wiring Option

J = Plug-In Receptacle Ass'y  
O = Non-Plug-In (Type RE only)

Mounting

00 = Regulator Unit Only  
Z1 = Manifold Block w/Side and Bottom Ports,  
Single Solenoid Internal Circuit Board  
Z2 = Manifold Block w/Side and Bottom Ports,  
Double Solenoid Internal Circuit Board  
Z5 = Z1 w/Speed Control  
Z6 = Z2 w/Speed Control  
R1 = Z1 w/Ribbon Cable Connector  
R2 = Z2 w/Ribbon Cable Connector  
R5 = Z5 w/Ribbon Cable Connector  
R6 = Z6 w/Ribbon Cable Connector



2035 Series

Manifold Assembly

A K J B D 0000 4 N STD

Electrical Connection  
Type & Location

- F = Terminal Strip 1-16
- T = Terminal Strip 1-32
- J = 25 Pin Sub-D
- M = 37 Pin Sub-D
- P = 12 Pin Round Connector
- R = 26 Pin Round Connector
- S = 26 + 12 Pin Round Connector
- C = For Fieldbus Electronics, See Electronics Section

Valve Series

- B = 2035 Series
- G = 2012 Series

Number of Valve Stations\*

- |       |        |        |        |
|-------|--------|--------|--------|
| A = 1 | I = 9  | Q = 17 | Y = 25 |
| B = 2 | J = 10 | R = 18 | Z = 26 |
| C = 3 | K = 11 | S = 19 | 2 = 27 |
| D = 4 | L = 12 | T = 20 | 3 = 28 |
| E = 5 | M = 13 | U = 21 | 4 = 29 |
| F = 6 | N = 14 | V = 22 | 5 = 30 |
| G = 7 | O = 15 | W = 23 | 6 = 31 |
| H = 8 | P = 16 | X = 24 | 7 = 32 |

Options

- STD = Standard
- MUF = Muffler in End Plates
- A06 = End Plate with Ports on Left End Only, Mounting Plate Only on Right End
- D11 = A06 w/Muffler in End Plates
- 14X = External Pilot

Port Type

- N = NPTF
- G = G Tap

End Plate Port Size

- 4 = 1/2
- X = Multiple Valve Groups Resulting in Different Standard End Plate Port Size (2035 = 1/2, 2012 = 3/8)

Maximum Solenoid Outputs

TERMINAL STRIP		25 PIN SUB-D	37 PIN SUB-D	26 PIN ROUND	26 + 12 PIN ROUND	12 PIN ROUND
AK "F"	AK "T"	AK "J"	AK "M"	AK "R"	AK "S"	AK "P"
16	32	22	32	22	32	8

\*NOTE: Maximum number of valve stations is determined by:

- The electrical connection type.
- The valve type - single solenoid valves up to the maximum solenoid outputs allowed by the electrical connection type (see chart above) or a combination of single and/or double solenoid valves not to exceed the maximum number of solenoid outputs allowed.



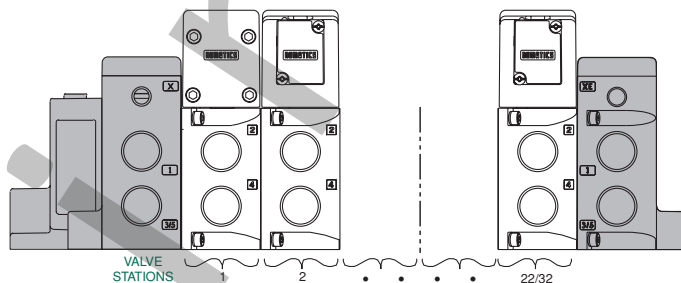
2035 Series

**AKJ or AKM 25 or 37 Pin Sub-D**

- Shaded components described by Assembly Kit (AK) model number designation (page 5).
- Each valve manifold station is listed in sequential order from left to right when facing the port side of the manifold as indicated.

Example order:

25 Pin Sub-D	AKJBD00004NSTD
valve station 1	353BA4Z1MN00061
valve station 2	353BA4Z1MN00061
valve station 3	353BB4Z2MN00061
valve station 4	353BB5Z2MN00061
	ASSEMBLED



Example order:

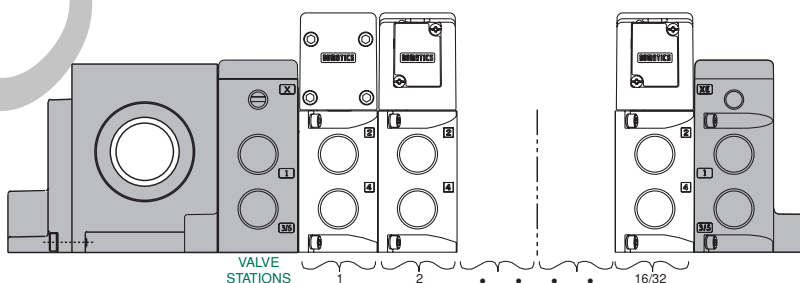
37 Pin Sub-D	AKMBD00004GMUF
valve station 1	353BA4Z1MG00061
valve station 2	353BA4Z1MG00061
valve station 3	353BB5Z2MG00061
valve station 4	353BB6Z2MG00061
	ASSEMBLED

**AKF or AKT 1-16 or 1-32 Terminal Strip**

- Ordered using the same method as Sub-D:

Example order:

valve station 1	AKFBF00004NSTD
valve station 2	354BA4Z1MN00061
valve station 3	354BA4Z1MN00061
valve station 4	354BB4Z2MN00061
valve station 5	354BB4Z2MN00061
valve station 6	354BB5Z2MN00061
	354BB6Z2MN00061
	ASSEMBLED

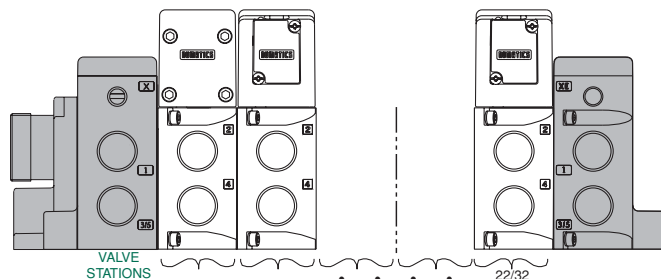


**AKP, AKR or AKS 12, 26 or 26+12 Pin Round Connector**

- Ordered using the same method as Sub-D:

Example order:

valve station 1	AKRBH00004NMUF
valve station 2	354BA4Z1MN00061
valve station 3	354BA4Z1MN00061
valve station 4	354BA4Z1MN00061
valve station 5	354BB4Z6MN00061
valve station 6	354BB4Z6MN00061
valve station 7	354BB5Z6MN00061
valve station 8	354BB5Z6MN00061
	ASSEMBLED



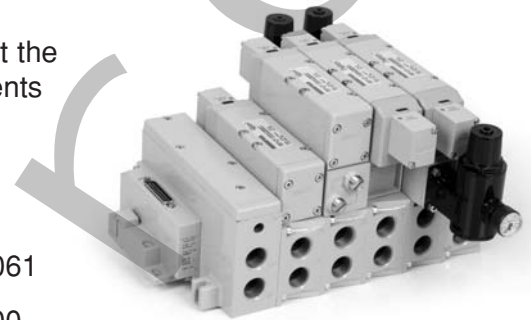


## Sandwich Pressure Regulators

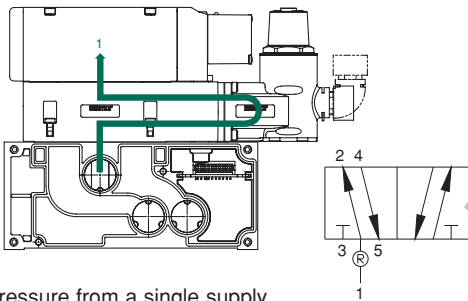
Types: RS / RD / RE / RT / RC / RQ

When ordering a valve with a regulator mounted on a manifold, list the valve unit model number only and include the mounting requirements with the regulator.  
Specify "Assembled."

EXAMPLE ORDERS:	TYPE RS	TYPE RD
Valve unit only:	353BA400K000030	353BB400M000061
Regulator +mounting	353RS1Z1JN00000 ASSEMBLED	353RD1Z2JN00000 ASSEMBLED

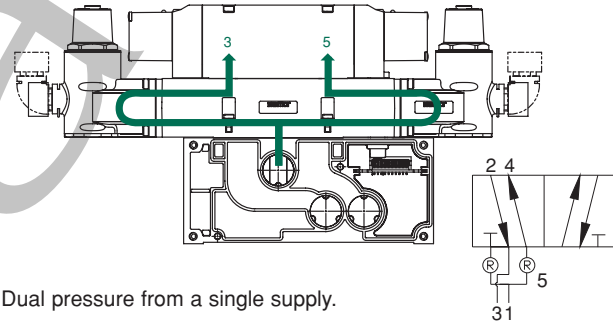


### Type RS



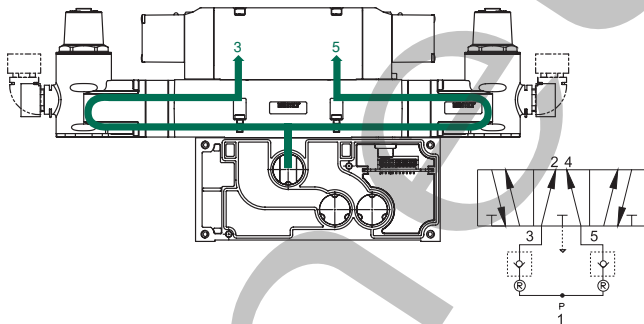
Single pressure from a single supply.

### Type RD



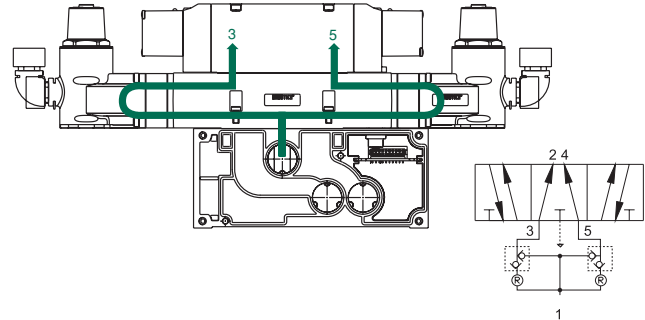
Dual pressure from a single supply.

### Type RC



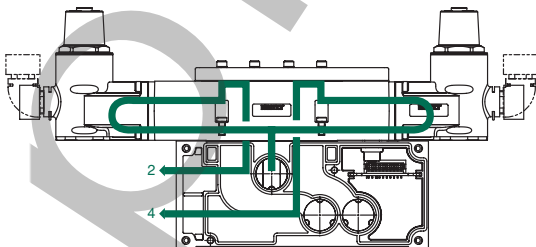
Type RC is non-relieving:  
Traps downstream pressure if upstream pressure is exhausted.

### Type RQ



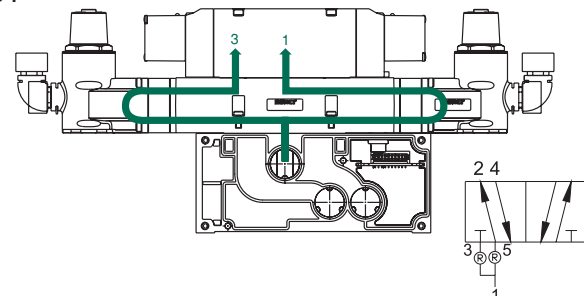
Type RQ is relieving:  
Exhausts pressure in cylinder if upstream pressure is exhausted.

### Type RE



External regulator - separate pressures to ports 2 and 4.

### Type RT



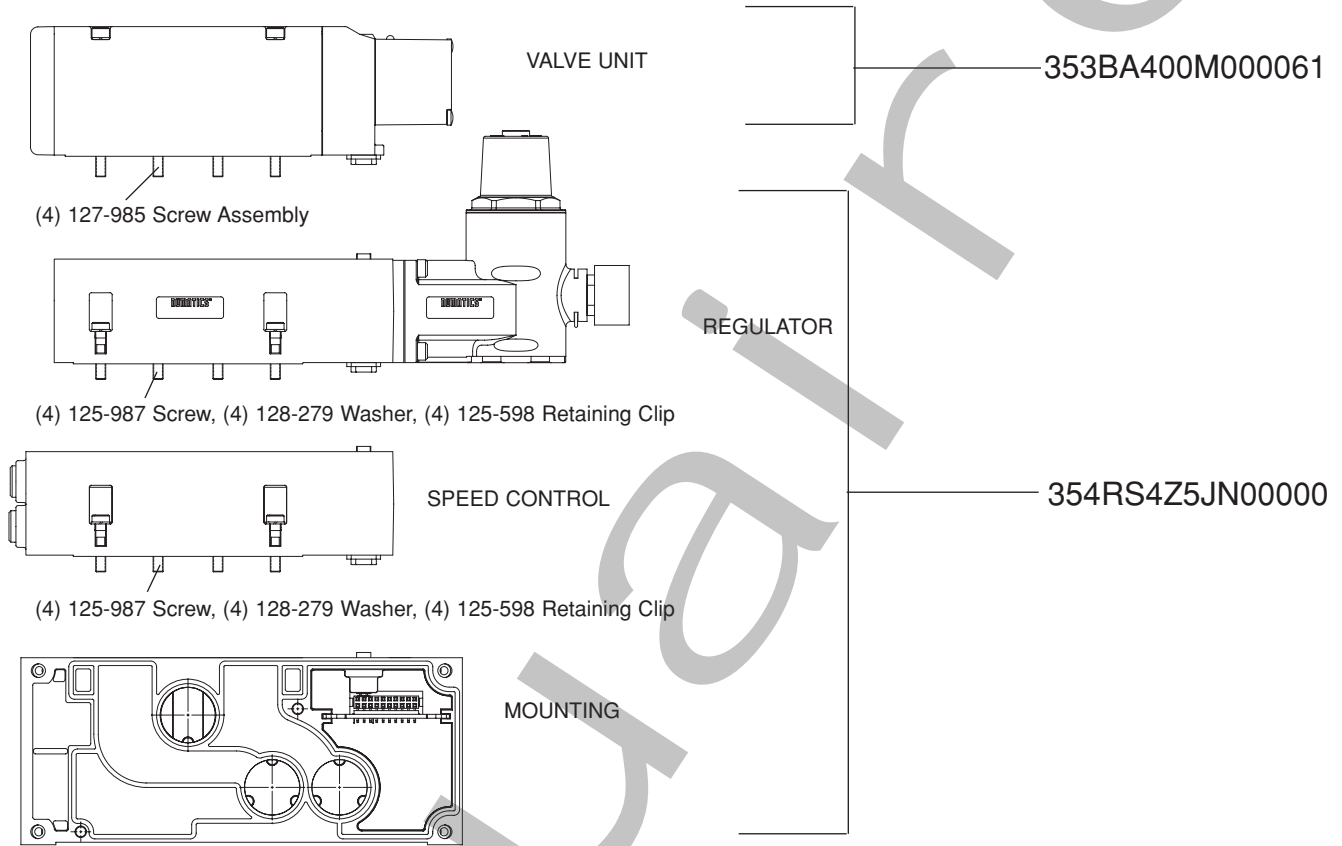
Two-pressure selector used for multi-pressure applications.





2035 Series

Valve Regulator / Speed Control Plug-in Assembly



Regulator Kits & Service Parts

Regulator Service Kit 239-2256

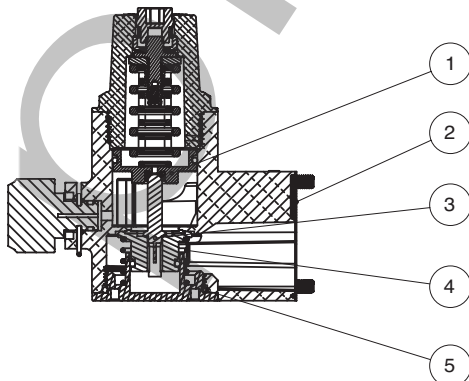
Check Assembly Kits RC: 239-2254  
RQ: 239-2253



Regulator Unit Kits

(includes regulator assembly, gaskets, screws)

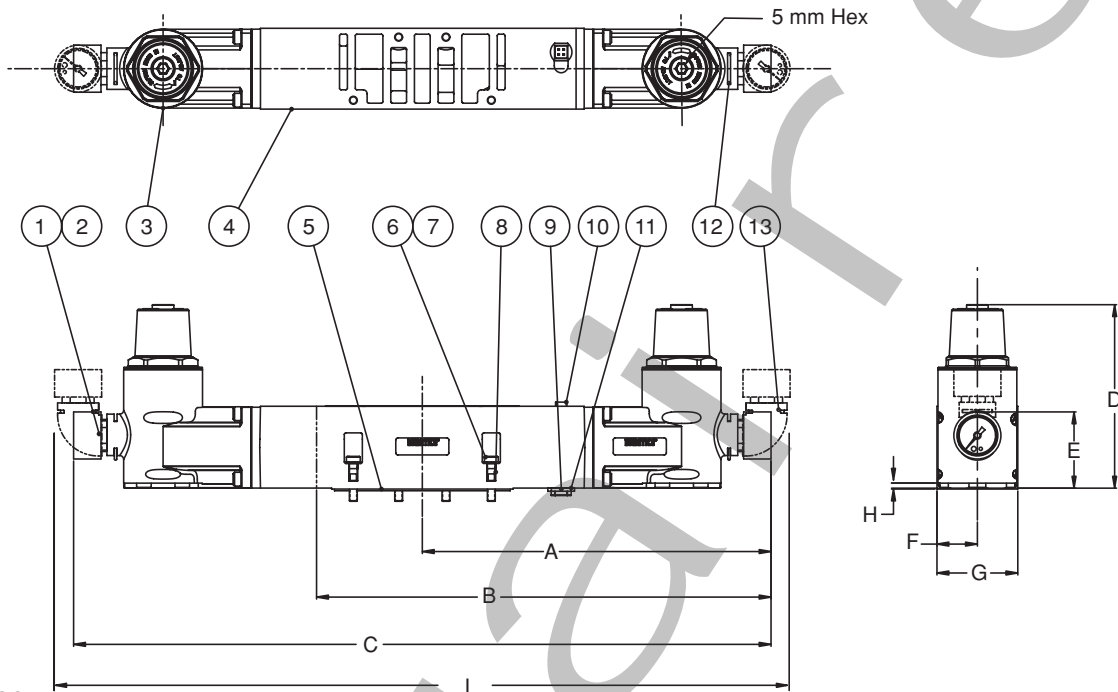
PSIG	PART NO.
3-30 PSIG	239-2220
5-60 PSIG	239-2221
10-130 PSIG	239-2222



DET. NO.	NO. REQ'D	PART NAME
1	1	Piston Assembly
2	1	Gasket
3	1	Poppet Valve Assembly
4	1	Spring
5	1	O-Ring



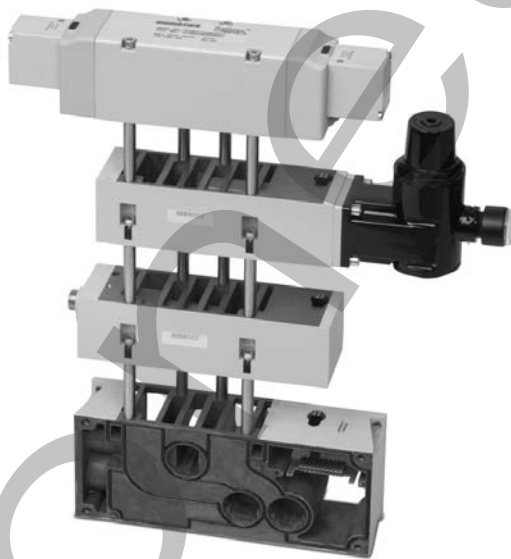
## Sandwich Pressure Regulator



### Dimensions

top dimensions = inches  
bottom dimensions (in parenthesis) = millimeters

A	B	C	D	E	F	G	H	I
6.97 (177.1)	9.07 (230.7)	13.94 (354.1)	3.67 (93.1)	1.52 (38.6)	0.79 (20.5)	1.57 (41.0)	0.02 (0.46)	14.69 (373.1)



### Gauge Kit

160 PSI	11 bar max.	60 PSI	4 bar max.
214-214	214-215	214-219	214-220

Gauge Adaptor Kit 1/8 NPTF      239-1561  
Elbow Kit                                239-1217

### Parts List

DET. NO.	NO. REQ'D	PART NAME	PART NO.
1	1*	Gauge 160 PSI max.	214-212
1	1*	Gauge 11 Bar max.	214-213
1	1*	Gauge 60 PSI max.	214-217
1	1*	Gauge 4 Bar max.	214-218
2	1*	O-Ring	126-105
3	1*	Regulator	See pg 8
4	1	Regulator Block	RS 125-1102 RD, RC, RQ 125-1103 RT 125-1104 RE 125-1105
5	1	Gasket	113-623
6	4	Screw	127-987
7	4	Lockwasher	128-279
8	4	Screw Retaining Clip	125-598
9	1	Screw	127-318
10	1	Plug Assembly	230-1123
11	1	Gasket	113-618
12	1*	Pin	131-236
13	1*	Elbow	134-505

\* (2) Required for RD

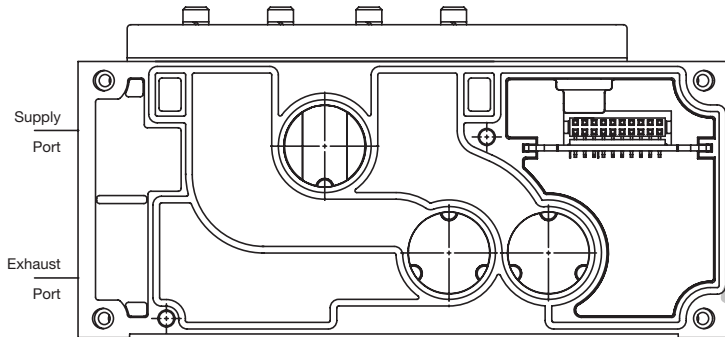
Note: RC and RQ require Check Ass'y Kits p. 8



2035 Series



Mid-Station Supply and Exhaust Block

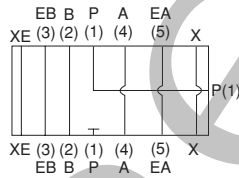
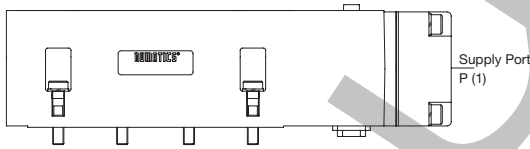


- Add additional supply and exhaust capacity to large manifold assemblies
- Add different pressure to manifold section with use of blocking disks
- Same size as standard manifold block with blank station plate

Mid-Station Supply & Exhaust Block Kit

PORT TYPE	PART NO.
NPTF 3/8	239-2224
G 3/8	239-2225

Sandwich Pressure Block

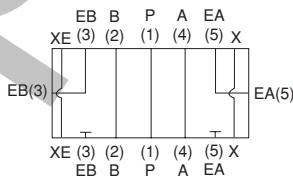
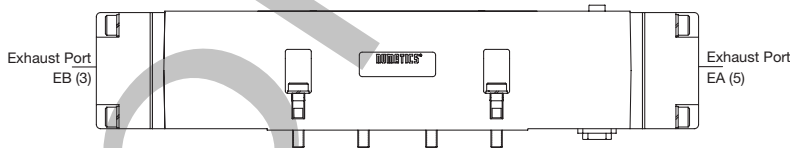


- Used to supply a separate pressure to a single valve station without needing blocking disks.

Sandwich Pressure Block Kit

PORT TYPE	PART NO.
NPTF 3/8	239-2227
G 3/8	239-2228

Sandwich Exhaust Block



- Used to isolate the exhaust of a single valve station from the manifold.
- Allows faster exhaust response by re-routing.
- Exhaust externally to the manifold.

Sandwich Exhaust Block Kit

PORT TYPE	PART NO.
NPTF 3/8	239-2229
G 3/8	239-2230

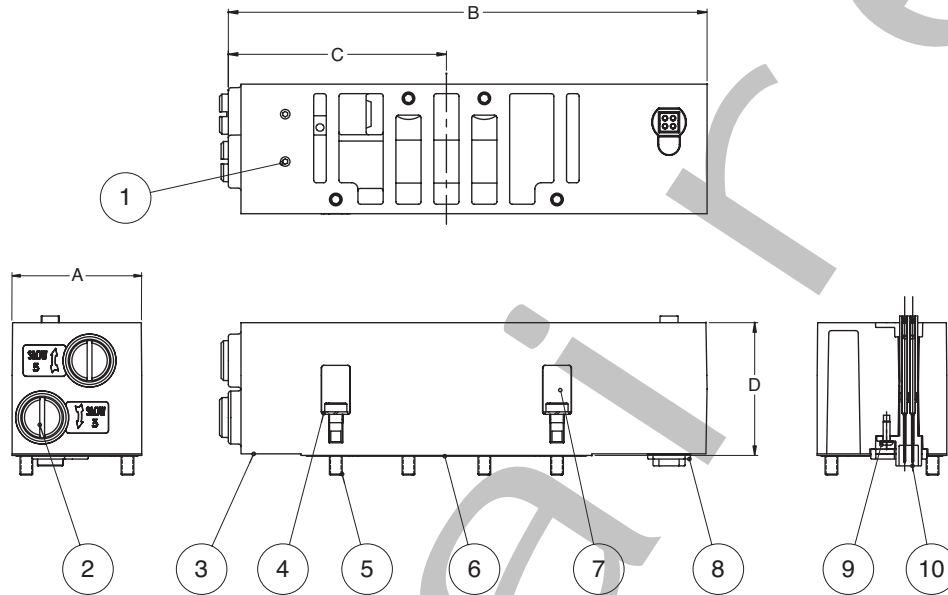


2035 Series



Speed Control Kit

239-2223



Dimensions

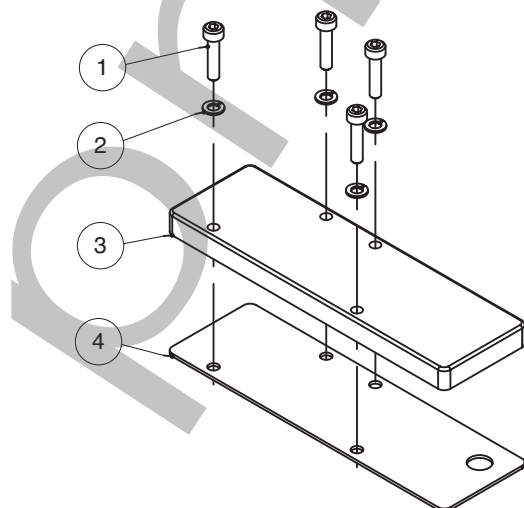
top dimensions = inches  
bottom dimensions (in parenthesis) = millimeters

A	B	C	D
1.61 (41.0)	5.96 (151.5)	2.72 (69.0)	1.65 (42.0)

DET. NO.	NO. REQ'D.	PART NAME	PART NO.
1	2	Retaining Screw	127-686
2	2	Metering Screw	118-179
3	1	Speed Control Body	125-1099
Not Shown	2	Nylon Rod	125-602
4	4	Washer	128-279
5	4	Screw	127-987
6	1	Gasket	113-623
7	4	Retaining Clip	125-598
8	1	Gasket	113-618
9	1	Screw	127-318
10	1	Plug Assembly	230-1123

Blank Station Plate

239-2218

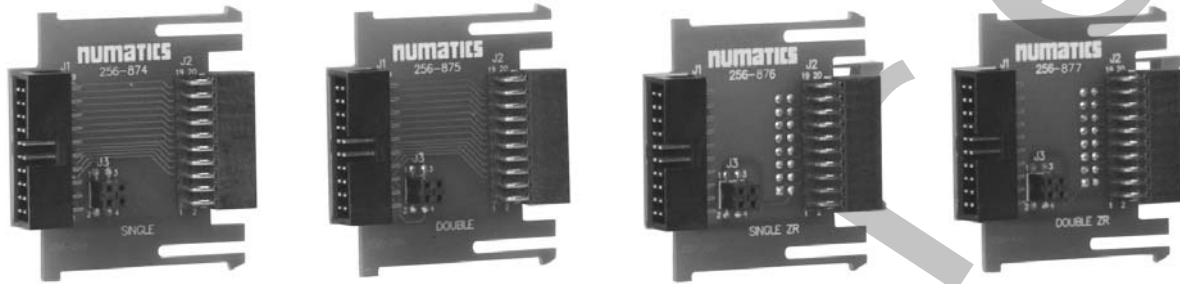


DET. NO.	NO. REQ'D.	PART NAME	PART NO.
1	4	Screw	127-398
2	4	Washer	128-279
3	1	Blank Station Plate	104-809
4	1	Gasket	113-624



2035 Series

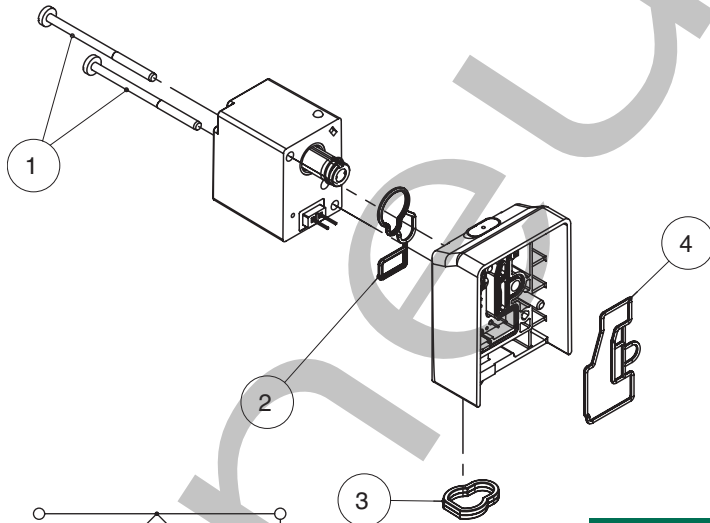
“Z-Board”™



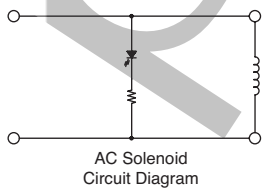
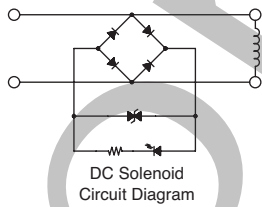
MANIFOLD “Z-BOARDS”™	PART NO.
Single “Z-Board”™	256-874
Double “Z-Board”™	256-875
Single “Z-Board”™ w/ ribbon connector (excludes cable)*	256-876
Double “Z-Board”™ w/ ribbon connector (excludes cable)*	256-877

\*Used only with ribbon cable  
(Solenoid Outputs 17-32) (Bits 16-31).

Solenoid Pilot Assembly



DET. NO.	NO. REQ'D.	PART NAME	PART NO.
1	2	Screw	127-823
2	1	Gasket	113-617
3	1	Gasket	113-618
4	1	Gasket	113-619



DESCRIPTION	12 VDC	24 VDC	24 VAC	120 VAC
14 end, push non-locking override	236-561	236-562	237-1169	237-1168
12 end, push non-locking override	236-557	236-558	237-1163	237-1162
14 end, turn & lock override	236-563	236-564	237-1171	237-1170
12 end, turn & lock override	236-555	236-556	237-1165	237-1164
14 end, no override	236-559	236-560	237-1167	237-1166
12 end, no override	236-553	236-554	237-1161	237-1160

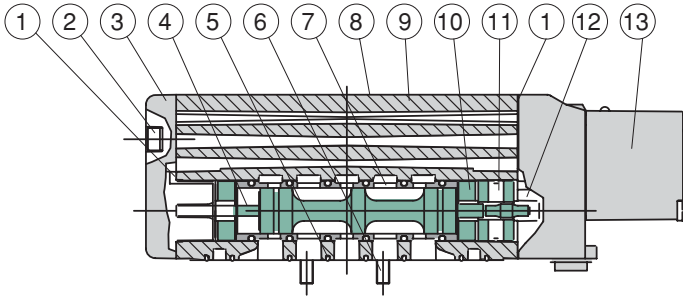


2035 Series



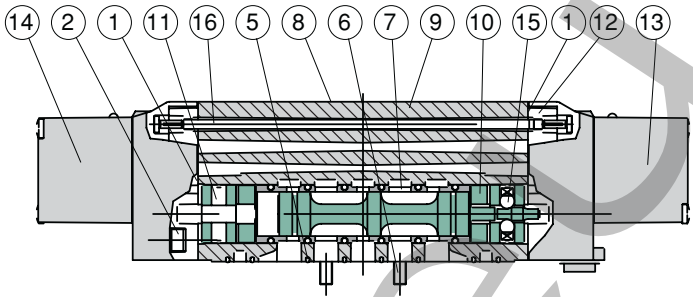
Valve Service Kits and Parts

Kit No. 2035-K1\*  
(For Models BA4)

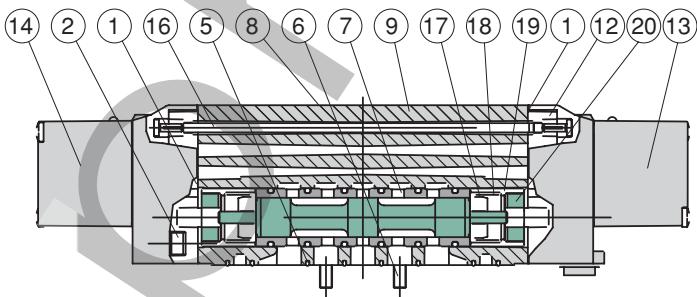


DET. NO.	NO. REQ'D				PART NAME	PART NO.
	BA4	BB4	BB5	BB6		
*1	2	2	2	2	Gasket	113-620
2	8	8	8	8	Screw Assembly	127-396
3	1	N/A	N/A	N/A	Spring Cover	104-808
*4	1	N/A	N/A	N/A	Spring	115-248
*5	1	1	1	1	Gasket	113-623
6	4	4	4	4	Screw Assembly	127-985
7	1	1	N/A	N/A	Spool & Sleeve Ass'y	209-571
7	N/A	N/A	1	N/A	Spool & Sleeve Ass'y	209-481
7	N/A	N/A	N/A	1	Spool & Sleeve Ass'y	209-482
8	1	1	1	1	Nameplate	122-1186
9	1	1	1	1	Body	101-852
*10	2	2	N/A	N/A	Bumper	114-170
*11	1	1	N/A	N/A	Detent Body	110-113
12	1	2	2	2	Pilot Plate	119-761
13	1	1	1	1	Solenoid Pilot Ass'y-14 End	See pg 12
14	N/A	1	1	1	Solenoid Pilot Ass'y-12 End	See pg 12
*15	N/A	1	N/A	N/A	Detent Assembly	210-116
16	N/A	1	1	1	12 to 14 Connector	230-1100
*17	N/A	N/A	2	2	Spring Retainer	116-488
*18	N/A	N/A	2	2	Spring	115-364
*19	N/A	N/A	2	2	Spacer	116-534
*20	N/A	N/A	2	2	Bumper	114-146

Kit No. 2035-K2\*  
(For Models BB4)



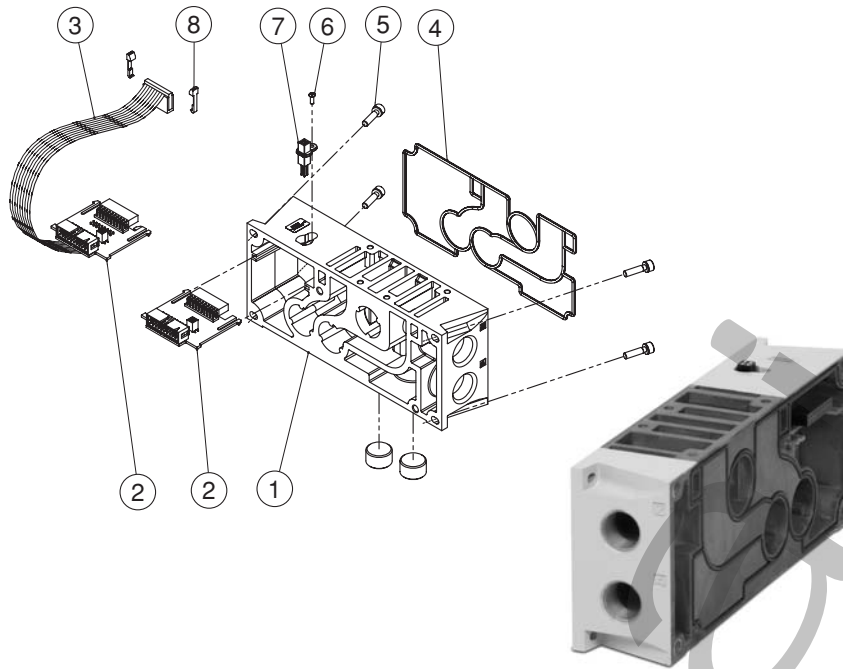
Kit No. 2035-K3\*  
(For Models BB5)





2035 Series

Manifold Assemblies



DET. NO.	NO. REQ'D	PART NAME	PART NO.
1	1	Manifold Block	Not sold separately
2	1	"Z-Board" <sup>™</sup>	See pg. 12
3	1	Ribbon Cable Ass'y	230-1127
4	1	Gasket	113-622
5	4	Screw	127-986
6	1	Screw	127-318
7	1	Electrical Plug Ass'y	230-1124
8	2	Snap in Latch	140-721

MANIFOLD ASSEMBLY KITS

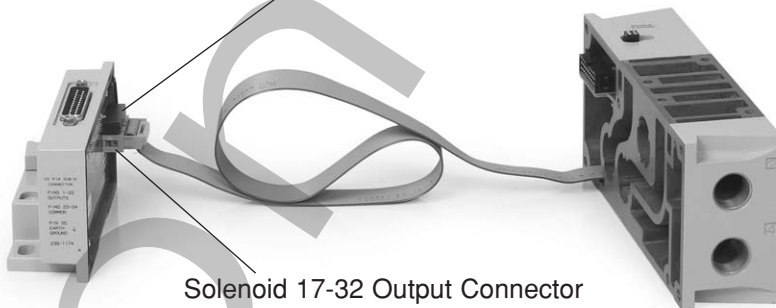
Side Cylinder Ports/Bottom Cylinder Ports	1/2 NPTF/3/8 NPTF	G 1/2/G 3/8	3/8 NPTF/3/8 NPTF	G 3/8/G 3/8
Single, "Z-Board" <sup>™</sup>	206-1608	206-1610	206-1609	206-1611
Double "Z-Board" <sup>™</sup>	206-1612	206-1614	206-1613	206-1614
Single, "Z-Board" <sup>™</sup> w/ Ribbon Cable	206-1620	206-1622	206-1621	206-1623
Double, "Z-Board" <sup>™</sup> w/ Ribbon Cable	206-1616	206-1618	206-1617	206-1619

Ribbon Cable Assembly Kit

239-2226

Solenoid 1-16 Output Connector  
(Output Bits 0-15)

Solenoid 17-32 Output Connector  
(Output Bits 16-31)



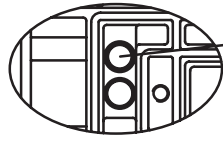
NO. REQ'D.	PART NAME	PART NO.
1	Ribbon Cable Assembly	230-1127
2	Snap In Latch	140-721

Ribbon cable option used for manifold assemblies that exceed 16 solenoids.

Label on manifold block indicates installed "Z-Board"<sup>™</sup> type.

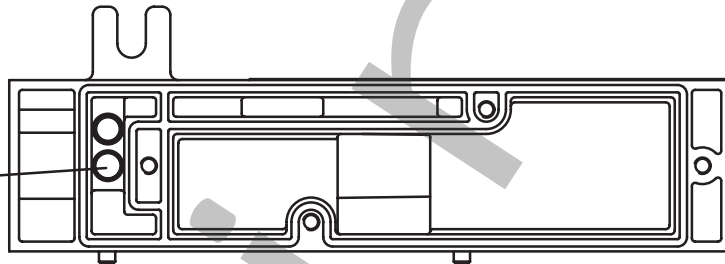


### Internal/External Pilot Selection



FOR EXTERNAL PILOT  
SUPPLY PLUG HERE  
(LEFT END PLATE  
ONLY)

FOR INTERNAL PILOT  
SUPPLY PLUG HERE  
(LEFT END PLATE  
ONLY)

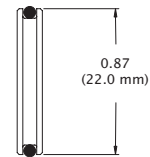
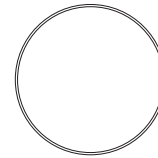
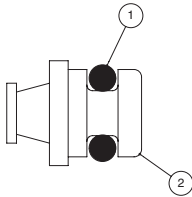


#### Internal Pilot Plug

213-590

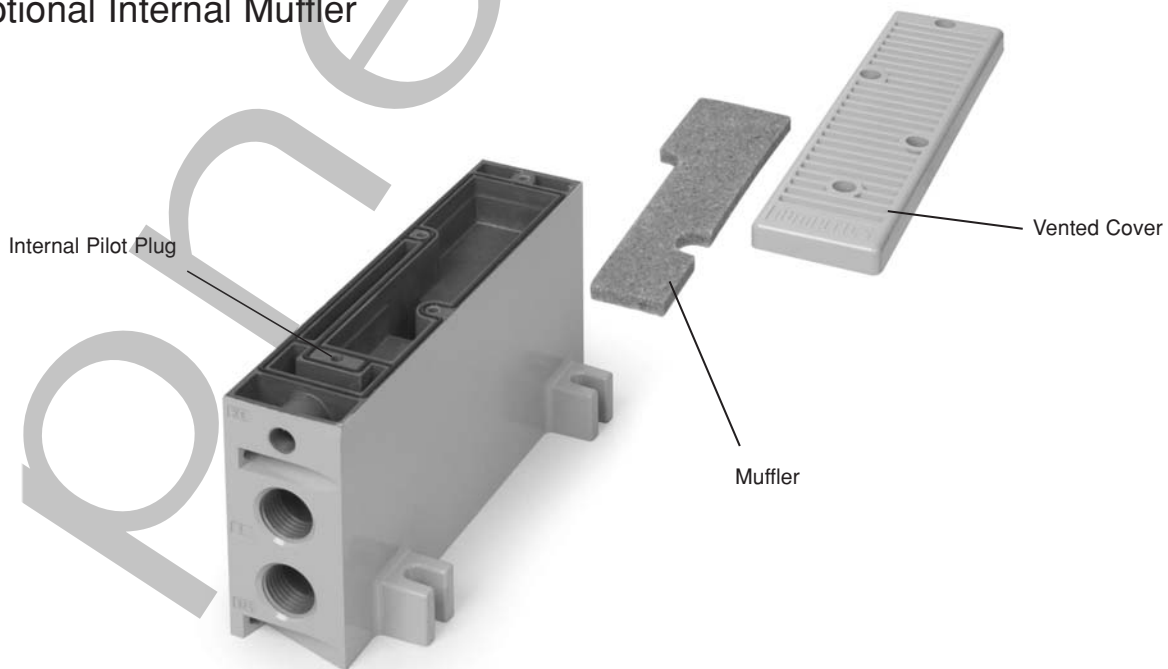
#### Blocking Disc

239-2219



DET. NO.	NO. REQ'D	PART NAME	PART NO.
1	1	O-Ring	125-1107
2	1	Plug	126-101

### Optional Internal Muffler

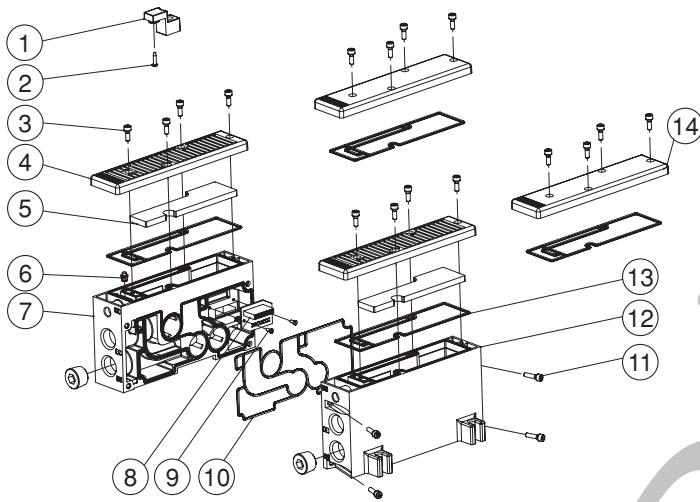






2035 Series

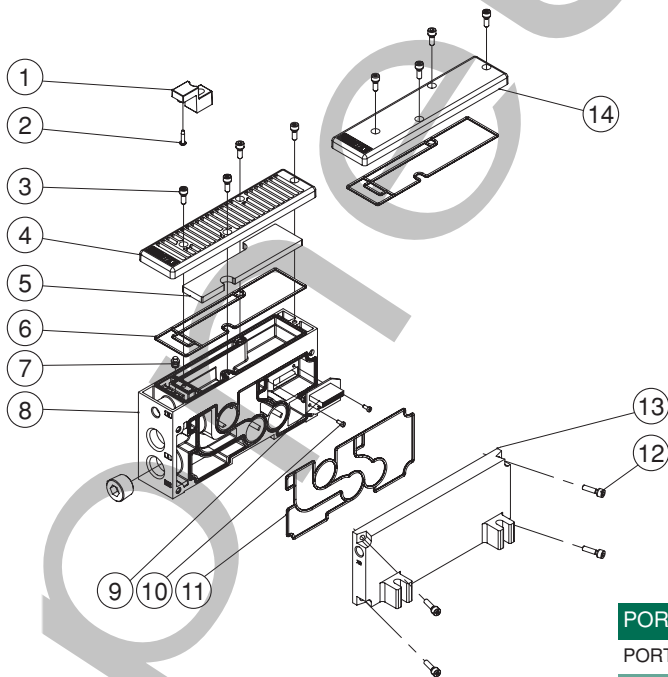
End Plate Kit



DET. NO.	NO. REQ'D	PART NAME	PART NO.
1	1	Mounting Support Stand-Off	125-1106
2	1	Screw	127-137
3	8	Screw	127-396
4	2	Muffer Cover Plate	105-457
5	2	Muffer	125-1098
6	1	Pilot Plug Assembly	213-590
7	1	L.H. End Plate	Not sold separately
8	1	Trans Conn. Board Assembly	256-879
9	2	Screw	127-794
10	1	Gasket	113-622
11	4	Screw	127-986
12	1	R.H. End Plate	Not sold separately
13	2	Cover Gasket	113-621
14	2	End Plate Cover	105-456

PORT TYPE	NPTF			G		
PORT	1	3/5	X, XE	1	3/5	X, XE
PORT SIZE	1/2	1/2	1/8	1/2	1/2	1/8
Kit with muffer	239-2205			239-2207		
Kit w/o muffer	239-2206			239-2208		

End Plate Kit with Left Hand Ports Only and Right Hand Cover



DET. NO.	NO. REQ'D	PART NAME	PART NO.
1	1	Mounting Support Stand Off	125-1106
2	1	Screw	127-137
3	4	Screw	127-396
4	1	Muffer Cover Plate	105-457
5	1	Muffer	125-1098
6	1	Cover Gasket	113-621
7	1	Pilot Plug Assembly	213-590
8	1	L.H. End Plate	Not sold separately
9	1	Trans Conn. Board Assembly	256-879
10	2	Screw	127-794
11	1	Gasket	113-622
12	4	Screw	127-986
13	1	R.H. Vented End Plate	Not sold separately
14	1	End PLate Cover	105-456

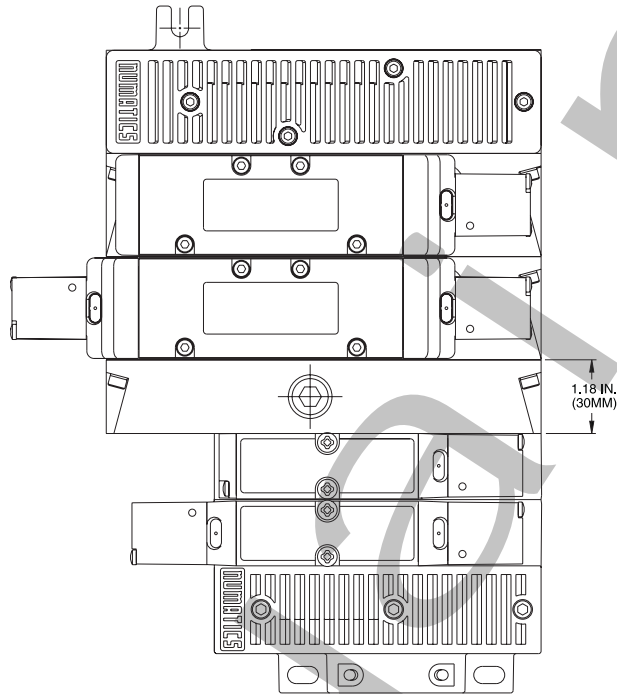
PORT TYPE	NPTF			G		
PORT	1	3/5	X, XE	1	3/5	X, XE
PORT SIZE	1/2	1/2	1/8	1/2	1/2	1/8
L.H. Ports, R.H. Mounting Cover w/ Pilot Exh. with Muffer	239-2213			239-2215		
L.H. Ports, R.H. Mounting Cover w/ Pilot Exh. without Muffer	239-2214			239-2216		



2035 Series

Adaptor Plate Kit 239-2278

This kit includes the adaptor plate, transfer board, gasket, screws, and studs. Individual end plates for the 2035 and 2012 are not included. This adaptor allows the transition from the 2035 to the 2012 series.



Example order\*

Adaptor Plate Kit AKJBBGB00XNMUF  
 354BA4Z2MN00061  
 354BB4Z2MN00061  
 122BA4Z1MN00061  
 122BB4Z2MN00061  
 ASSEMBLED

\*Valve series identifier for 2012 Series = G.

Adaptor Plate Kits with End Plates

Adaptor Plate Kit with Standard End Plates  
 ("STD" Option)

DESCRIPTION	PART NO.
2035 with 1/2 NPTF - 2012 with 3/8 and 1/2 NPTF	239-2279
2035 with 1/2 G-Tap - 2012 with 3/8 and 1/2 G-Tap	239-2280

Adaptor Plate Kit with Standard End Plates  
 and Muffler ("MUF" Option)

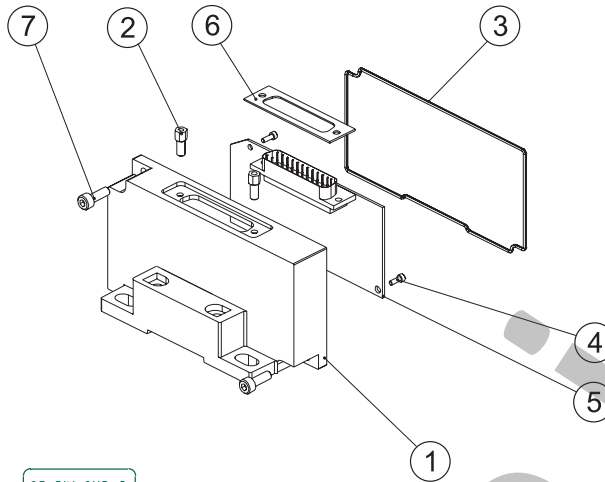
DESCRIPTION	PART NO.
2035 with 1/2 NPTF - 2012 with 3/8 and 1/2 NPTF	239-2281
2035 with 1/2 G-Tap - 2012 with 3/8 and 1/2 G-Tap	239-2282



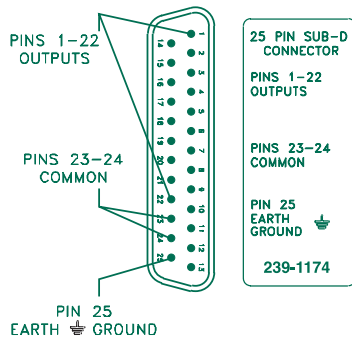
2035 Series

25 Pin Sub-D Connector Kit

239-1174



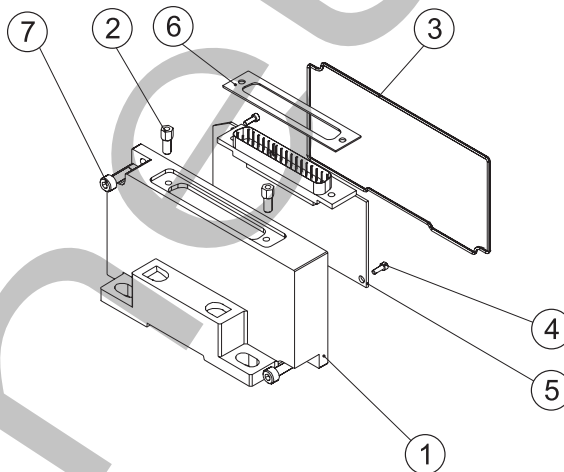
DET. NO.	NO. REQ'D	PART NAME	PART NO.
1	1	Housing	105-401
2	2	Hex Screw	127-825
3	1	Gasket	113-531
4	2	Screw	127-318
5	1	PCB Ass'y	256-607
6	1	Gasket	113-507
7	2	Screw Ass'y	127-396



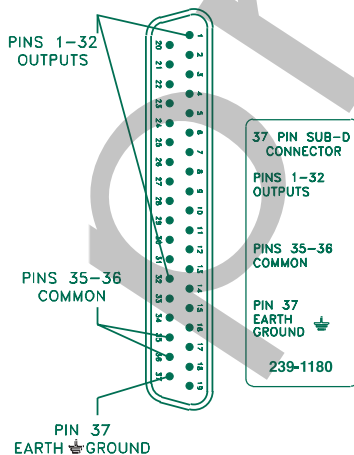
NOTE: External fusing or output protection recommended.

37 Pin Sub-D Connector Kit

239-1180



DET. NO.	NO. REQ'D	PART NAME	PART NO.
1	1	Housing	105-402
2	2	Hex Screw	127-825
3	1	Gasket	113-531
4	2	Screw	127-318
5	1	PCB Ass'y	256-608
6	1	Gasket	113-530
7	2	Screw Ass'y	127-396



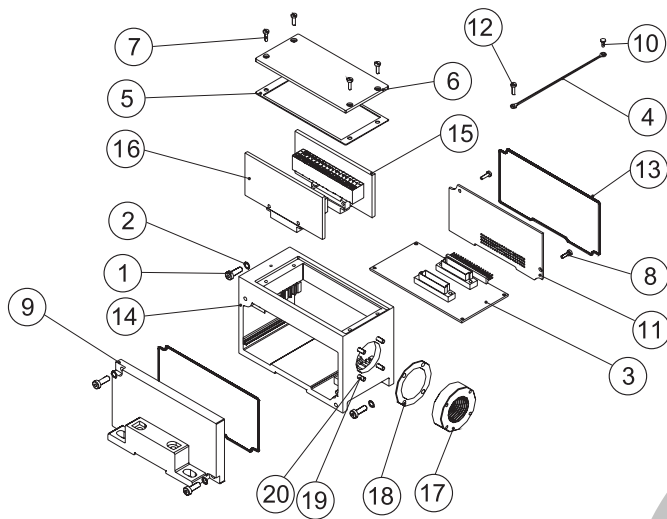
NOTE: External fusing or output protection recommended.



2035 Series



1-16 & 1-32 Terminal Strip Kit



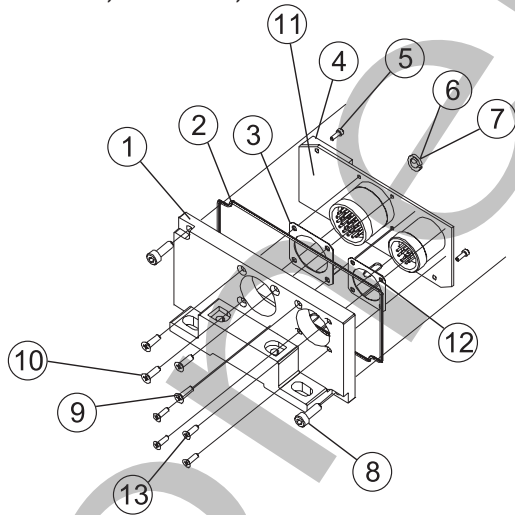
TERMINAL STRIP  
TERMINALS  
1-32 OUTPUTS  
TERMINAL COM  
COMMON  
TERMINAL GND  
EARTH  
GROUND  
18 AWG WIRE  
MAXIMUM

NOTE: External fusing or output protection recommended.

TERMINAL STRIP HOUSING KITS	PART NO.
1-16 Sol.	239-1229
1-32 Sol.	239-1231

DET. NO.	NO. REQ'D	PART NAME	PART NO.
1	4	Screw	127-697
2	4	Lockwasher	128-188
3	1	Backplane Board	256-618
4	1	Cover Strap	125-772
5	1	Gasket	113-533
6	1	Cover	105-405
7	4	Screw	127-852
8	1	Screw	127-318
9	1	Cover Plate	105-403
10	1	Screw	127-180
11	1	Converter Board	256-645
12	2	Screw	127-794
13	2	Gasket	113-531
14	1	Housing	125-844
15	1	Terminal Strip (1-16)	256-617
16	1	Terminal Strip (17-32)	256-619
17	1	Adapter	119-659
18	1	Gasket	113-542
19	4	Screw	127-879
20	4	Lockwasher	128-192

12 Pin, 26 Pin, & 26 + 12 Pin Round Connector Kits



12 PIN ROUND CONNECTOR  
PINS 1-8  
INPUTS  
PINS 9-10  
COMMON  
PIN 11  
NOT USED  
PIN 12  
EARTH  
GROUND

12 Pin

26 PIN ROUND CONNECTOR  
PINS 1-22  
OUTPUTS  
PINS 24-25  
COMMON  
PIN 26  
EARTH  
GROUND

26 Pin

26 PIN ROUND CONNECTOR  
PINS 1-22  
OUTPUTS 1-22  
PINS 24-25  
COMMON  
PIN 26  
EARTH  
GROUND  
12 PIN ROUND CONNECTOR  
PINS 1-10  
OUTPUTS 23-32

26 Pin + 12 Pin

NOTE: External fusing or output protection

12 PIN ROUND KIT	PART NO.
	239-2115
26 PIN ROUND KIT	PART NO.
	239-1184
26 + 12 PIN ROUND KITS	PART NO.
	239-1376

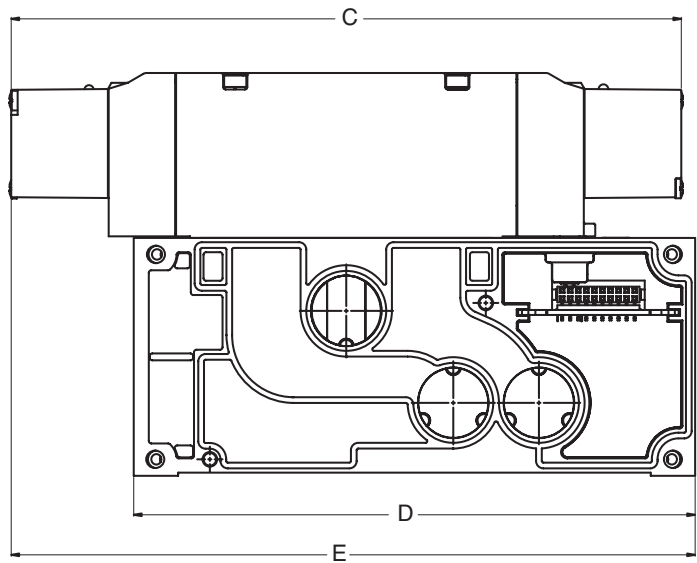
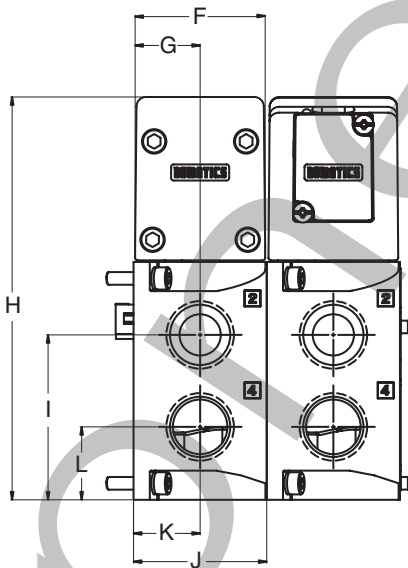
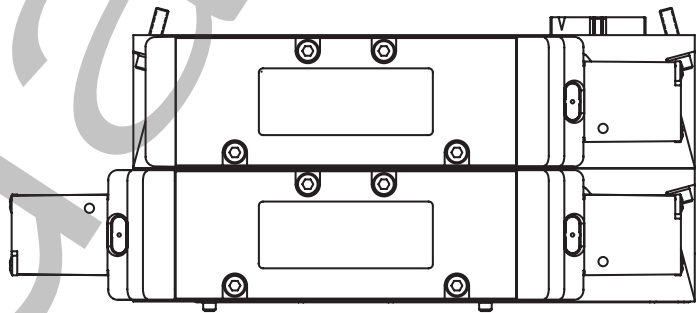
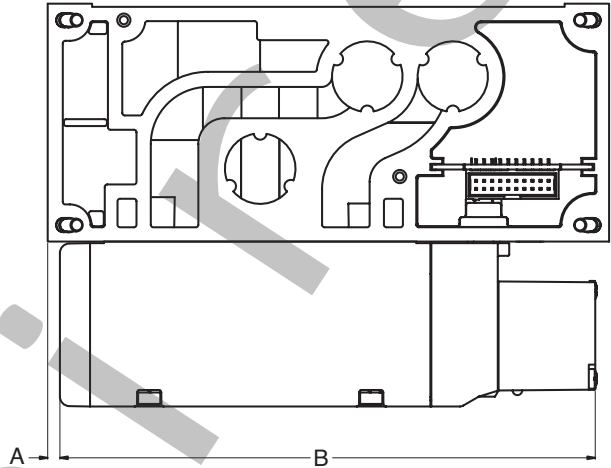
DET. NO.	NO. REQ'D	PART NAME	PART NO.		
1	1	1	1	Cover	Not sold separately
2	1	1	1	Gasket	113-531
3	N/A	1	1	Gasket	113-353
4	N/A	1	N/A	26 PCB Ass'y	256-624
4	N/A	N/A	1	26+12 PCB Ass'y	256-688
4	1	N/A	N/A	12 PCB Ass'y	256-856
5	2	2	2	Screw	127-875
6	1	N/A	N/A	Lockwasher	128-352
6	N/A	1	1	Lockwasher	128-294
7	1	N/A	N/A	Hex Nut	128-288
7	N/A	1	1	Hex Nut	128-293
8	2	2	2	Screw Ass'y	127-396
9	1	N/A	N/A	Screw	127-982
9	N/A	3	3	Screw	127-810
10	N/A	1	1	Screw	127-770
11	1	N/A	1	Shield	140-759
12	1	N/A	1	Gasket	113-354
13	3	N/A	4	Screw	127-811

- 12 POLE ROUND FEMALE CABLE 20 AWG-UNSHIELDED  
USED WITH 26+12 POLE MANIFOLDS (AKS)  
230-960 - Connector w/o cable-solder cup version  
230-879 - Connector w/o cable-crimp contact version  
2 METER - CC1202MB00000000  
5 METER - CC1205MB00000000  
10 METER - CC1210MB00000000
- 26 POLE ROUND FEMALE CABLE 20 AWG-UNSHIELDED  
USED WITH 26+12 & 26 POLE MANIFOLDS (AKR) & (AKS)  
230-1070 - Connector w/o cable-solder cup version  
230-742 - Connector w/o cable-crimp contact version  
2 Meter - CC2602MB00000000  
5 Meter - CC2605MB00000000



2035 Series

Valve on Manifold Block



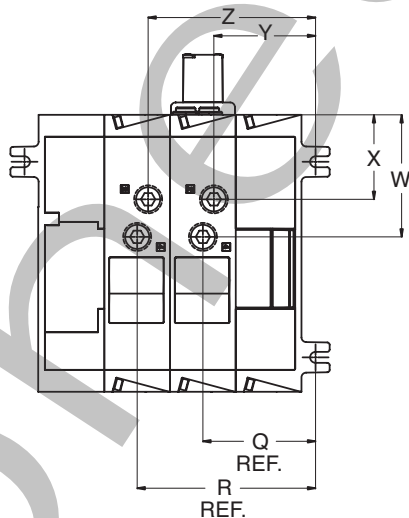
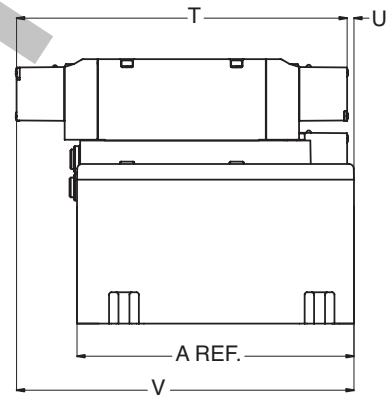
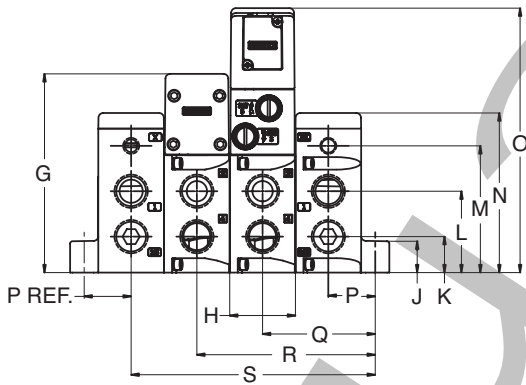
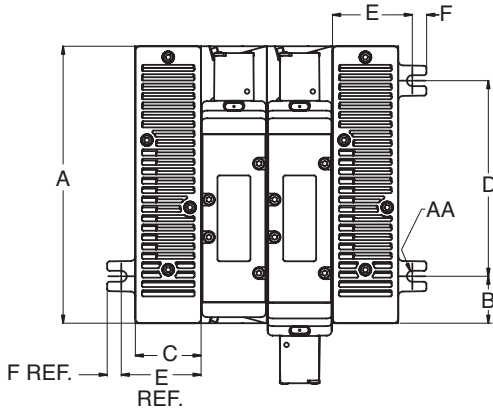
Dimensions

top dimensions = inches  
bottom dimensions (in parenthesis) = millimeters

A	B	C	D	E	F	G	H	I	J	K	L
0.15	6.65	8.32	6.97	8.49	1.61	0.81	5.00	2.05	1.65	0.83	0.91
(3.9)	(168.8)	(211.3)	(177.0)	(215.6)	(41.0)	(20.5)	(127.0)	(52.0)	(42.0)	(21.0)	(23.0)



Manifold Assembly



NOTE:

- For Electrical Interface option dimensions see *pg. 22*.
- For Fieldbus Electronics dimensions see Electronics Section.

Dimensions

top dimensions = inches  
bottom dimensions (in parenthesis) = millimeters

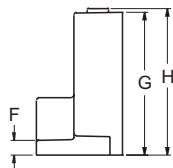
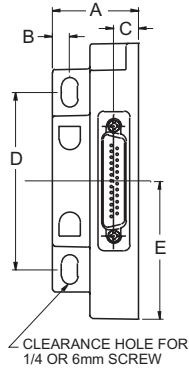
A	B	C	D	E	F	G	H	J	K	L	M	N
6.97 (177.0)	1.18 (30.0)	1.65 (42.0)	4.92 (125.0)	2.01 (51.0)	0.35 (9.0)	5.00 (127.0)	1.65 (42.0)	0.79 (20.0)	0.91 (23.0)	2.05 (52.0)	3.19 (81.0)	4.02 (102.0)
O	P	Q	R	S	T	U	V	W	X	Y	Z	AA
6.65 (169.0)	1.18 (30.0)	2.83 (72.0)	4.49 (114.0)	6.14 (156.0)	8.32 (211.3)	0.17 (4.4)	8.49 (215.6)	3.07 (78.0)	2.13 (54.0)	2.56 (65.0)	2.83 (72.0)	0.14 (3.5)



2035 Series

Electrical Interface

25 Pin Sub-D

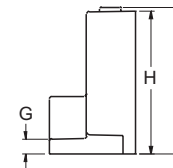
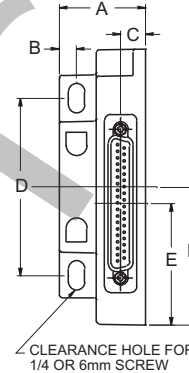


Dimensions

top dimensions = inches  
bottom dimensions (in parenthesis) = millimeters

A	B	C	D	E	F	G	H
1.45	0.29	0.42	2.98	2.32	0.25	2.40	2.47
(36.8)	(7.4)	(10.7)	(75.7)	(58.9)	(6.3)	(61.0)	(62.7)

37 Pin Sub-D

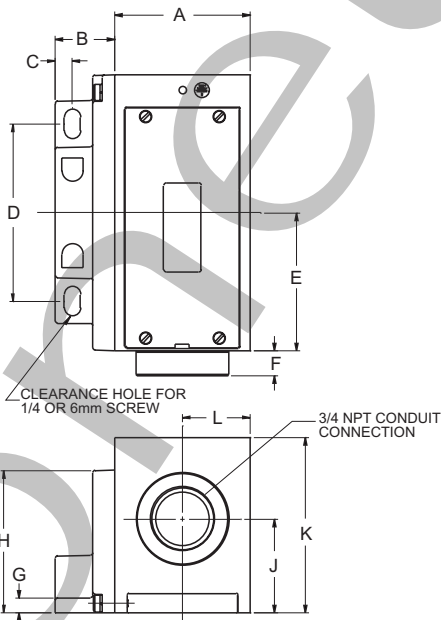


Dimensions

top dimensions = inches  
bottom dimensions (in parenthesis) = millimeters

A	B	C	D	E	F	G	H	J
1.45	0.29	0.42	2.98	2.04	2.32	0.25	2.40	2.47
(36.8)	(7.4)	(10.7)	(75.7)	(51.8)	(58.9)	(6.3)	(61.0)	(62.7)

Terminal Strip 1-16 & 1-32

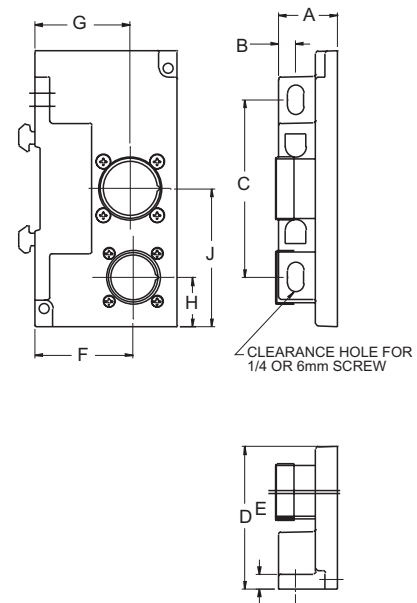


Dimensions

top dimensions = inches  
bottom dimensions (in parenthesis) = millimeters

A	B	C	D	E	F	G	H	J	K	L
2.28	1.00	0.29	2.98	2.32	0.43	0.25	2.40	1.58	2.95	1.14
(57.9)	(25.4)	(7.4)	(75.7)	(58.9)	(10.9)	(6.3)	(61.0)	(40.1)	(74.9)	(29.0)

12 Pin, 26 Pin & 26 + 12 Pin Round Connector



Dimensions

top dimensions = inches  
bottom dimensions (in parenthesis) = millimeters

A	B	C	D	E	F	G	H	J
1.00	0.29	2.98	2.40	0.25	1.66	1.61	0.82	2.32
(25.4)	(7.4)	(75.7)	(61.0)	(6.3)	(42.2)	(40.9)	(20.8)	(58.9)