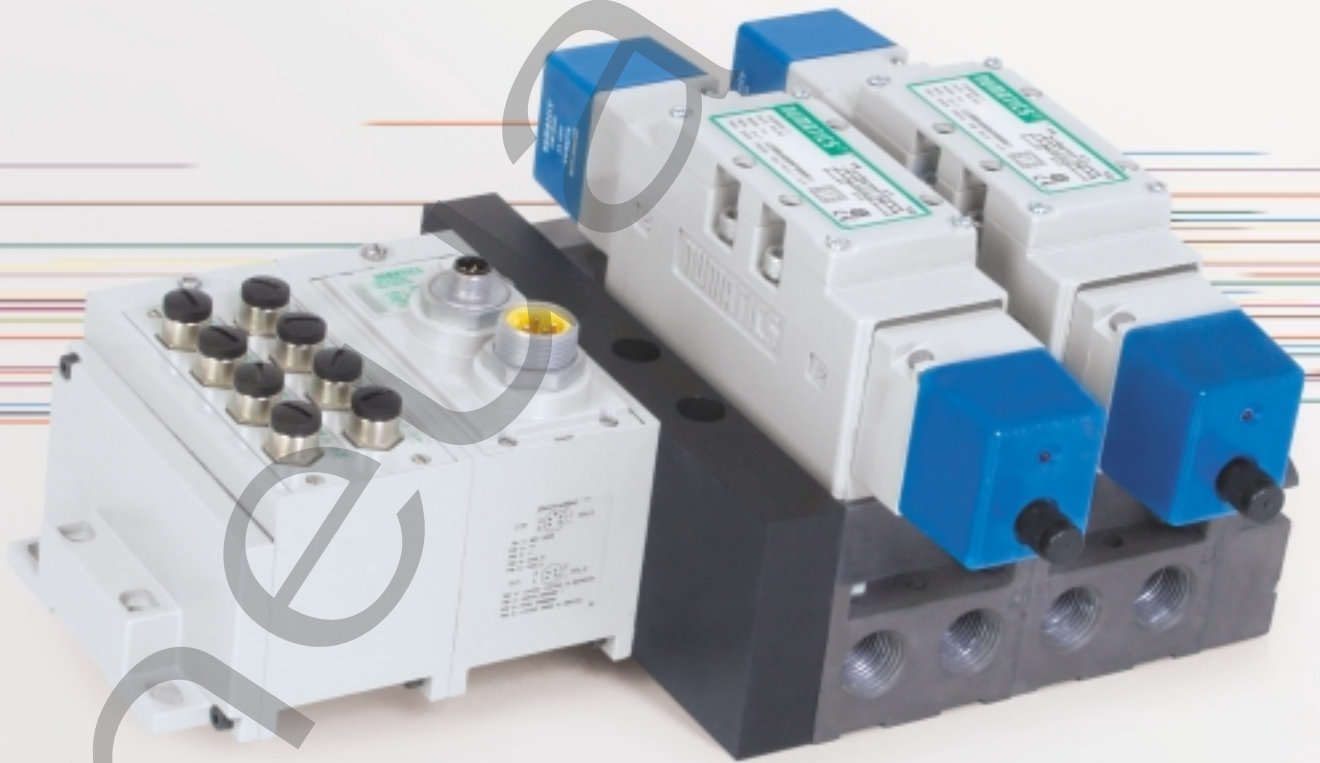


ORDER
ONLINE



Valves



ISO Series

5599/2 and 15407-2 Valves

We're everywhere you need us to be!



ISO 5599/2 Series

Technical and Operating Data	3-19
How to Order	3-4
Valve and Regulator Dimensions	5-6
Base Assembly	7
Manifold Block Assembly	8
Manifold Assembly Kits	9
Midstation Supply and Exhaust Block	10
End Plate Kits	11
Sandwich Pressure Regulators	12
Pilot Plugging Arrangements and Service Kits	13
Flow Paths for Solenoid Air Pilot Actuation	14
Speed Control Kits	14
Transition Plate Kits	15
Gallery Blocking Disc Kits	15
Blank Station Plate Kit	15
Solenoid Assemblies	15
Regulator Gauges	15
Z-Boards	16
Valve Service Kits and Parts	17-19

15407-2 Series

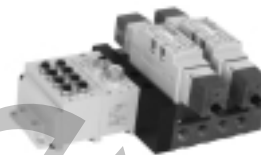
How to Order	20-27
How to Order	20-22
Valve on Manifold Block-18 mm	23
Manifold Assembly-18 mm	24
Valve on Manifold Block-26 mm	25
Manifold Assembly-26 mm	26
Base Assemblies-26 mm	27
Adaptor Assemblies	27
Manifold Assembly Kits	28
End Plate Kits	29

Assembly Kits

Electrical Interface Dimensional Drawings	30-32
Electrical Interface Dimensional Drawings	30
Connector Kits	31-32



ISO 5599/2 Series

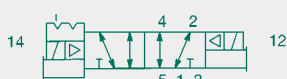


Solenoid Pilot Actuated

single solenoid
2 position 4-way



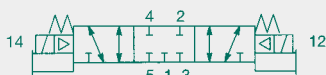
double solenoid
2 position 4-way



double solenoid
3 position 4-way
open center



double solenoid
3 position 4-way
closed center



5 Ported, 4-way, 2 and 3 position, Spool & Sleeve,
Cv: 1.2 to 5.3

- Direct solenoid or solenoid pilot actuated
- Complies with ISO Standard 5599/2
- ISO sizes 1, 2, 3
- Terminal block for ease of wiring
- Side and bottom cylinder ports standard
- AC/ DC color-coded solenoids
- Sandwich regulators available
- Plug-in speed control available
- Elimination of internal wiring
- NEMA 4/IP 65



Technical Data: ISO 5599/2 - Solenoid Air Pilot

VALVE DATA		ENGLISH	METRIC
Cv	Size 1	1.3	1.3
	Size 2	2.9	2.9
	Size 3	5.3	5.3
Flow Capacity	Size 1	60.1 SCFM	1280 NI/m
	Size 2	134.0 SCFM	2857 NI/m
	Size 3	245.0 SCFM	5222 NI/m
		80 PSIG upstream pressure to atmosphere	6 bar upstream to 5 bar downstream
Main Valve Operating Pressure Range - All Sizes		28" HG to 232 PSIG	Vacuum to 16 bar
Pilot Pressure Range - All Sizes		15 to 125 PSIG	1 to 8.6 Bar
Temperature Range (ambient) - All Sizes		-10° F to +115° F	-23.3° C to +46.1° C

Operating Data - All solenoids are continuous duty rated

VALVE DATA	24 VDC	24 VAC 50 Hz	24 VAC 60 Hz	115 VAC 50 Hz	120 VAC 60 Hz	230 VAC 50 Hz	240 VAC 60 Hz
Power (watts) - All Sizes	4.0	N/A	N/A	N/A	N/A	N/A	N/A
Holding Current (amps) - All Sizes	0.16	0.36	0.29	0.06	0.06	0.03	0.03
In-rush Current (amps) - All Sizes	N/A	0.52	0.47	0.10	0.09	0.05	0.05
Energize in Seconds							
2-position, single, spring return							
Size 1 & 2	0.013	0.013	0.012	0.012	0.012	0.013	0.013
Size 3	0.020	0.018	0.019	0.017	0.017	0.018	0.018
2-position, double, detented							
Sizes 1 & 2	0.013	0.013	0.012	0.012	0.012	0.013	0.013
Size 3	0.020	0.018	0.019	0.017	0.017	0.018	0.018
3-position, spring centered							
Sizes 1 & 2	0.013	0.013	0.012	0.012	0.012	0.013	0.013
Size 3	0.020	0.018	0.019	0.017	0.017	0.018	0.018
De-energize in Seconds							
2-position, single, spring return							
Size 1	0.036	0.034	0.035	0.035	0.036	0.039	0.038
Size 2	0.060	0.053	0.053	0.055	0.054	0.057	0.056
Size 3	0.066	0.067	0.067	0.069	0.068	0.072	0.072
2-position, double, detented							
Size 1	N/A	N/A	N/A	N/A	N/A	N/A	N/A
Size 2	N/A	N/A	N/A	N/A	N/A	N/A	N/A
Size 3	N/A	N/A	N/A	N/A	N/A	N/A	N/A
3-position, spring centered							
Size 1	0.036	0.034	0.035	0.035	0.036	0.039	0.038
Size 2	0.060	0.053	0.053	0.055	0.054	0.057	0.056
Size 3	0.066	0.067	0.067	0.069	0.068	0.072	0.072



ISO 5599/2 Series

Direct Solenoid Actuated

single solenoid
2 position 4-way



double solenoid
2 position 4-way



double solenoid
3 position 4-way
open center



double solenoid
3 position 4-way
closed center



5 Ported, 4-way, 2 and 3 position, Spool & Sleeve,
Cv: 1.2 to 5.3

- Direct solenoid or solenoid pilot actuated
- Complies with ISO Standard 5599/2
- ISO sizes 1, 2, 3
- Terminal block for ease of wiring
- Side and bottom cylinder ports standard
- AC/ DC color-coded solenoids
- Sandwich regulators available
- Plug-in speed control available
- Elimination of internal wiring
- NEMA 4/IP 65



Technical Data: ISO 5599/2 - Direct Acting

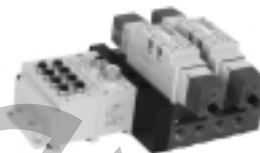
VALVE DATA		ENGLISH	METRIC
Cv	Size 1	1.2	1.2
	Size 2	2.2	2.2
	Size 3	4.4	4.4
Flow Capacity	Size 1	55.5 SCFM	1181 NI/m
	Size 2	101.7 SCFM	2166 NI/m
	Size 3	203.4 SCFM	4336 NI/m
Main Valve Operating Pressure Range - All Sizes		80 PSIG upstream pressure to atmosphere	6 bar upstream to 5 bar downstream
Temperature Range (ambient) - All Sizes		28° HG to 232 PSIG	Vacuum to 16 bar
		-10° F to +115° F	-23.3° C to +46.1° C

Operating Data - All solenoids are continuous duty rated

VALVE DATA	24 VDC	24 VAC 50 Hz	24 VAC 60 Hz	115 VAC 50 Hz	120 VAC 60 Hz	230 VAC 50 Hz	240 VAC 60 Hz
Power (watts)							
Size 1 & 2	6.0	N/A	N/A	N/A	N/A	N/A	N/A
Size 3	N/A	N/A	N/A	N/A	N/A	N/A	N/A
Holding Current (amps)							
Size 1 & 2	0.25	0.59	0.42	0.11	0.09	0.07	0.05
Size 3	N/A	0.59	0.42	0.11	0.09	0.07	0.05
In-rush Current (amps)							
All Sizes	N/A	2.85	2.53	0.63	0.58	0.31	0.29
Energize in Seconds							
2-position, single, spring return							
Size 1 & 2	0.038	0.012	0.012	0.012	0.012	0.012	0.012
Size 3	N/A	0.012	0.012	0.012	0.012	0.012	0.012
2-position, double, detented							
Sizes 1 & 2	0.012	0.012	0.012	0.012	0.012	0.012	0.012
Size 3	N/A	0.012	0.012	0.012	0.012	0.012	0.012
3-position, spring centered							
Sizes 1 & 2	0.038	0.012	0.012	0.012	0.012	0.012	0.012
Size 3	N/A	N/A	0.012	0.012	0.012	0.012	0.012
De-energize in Seconds							
2-position, single, spring return							
Size 1 & 2	0.012	0.012	0.012	0.012	0.012	0.012	0.012
Size 3	N/A	0.012	0.012	0.012	0.012	0.012	0.012
2-position, double, detented							
All Sizes	N/A	N/A	N/A	N/A	N/A	N/A	N/A
3-position, spring centered							
Size 1 & 2	0.012	0.012	0.012	0.012	0.012	0.012	0.012
Size 3	N/A	0.012	0.012	0.012	0.012	0.012	0.012



ISO 5599/2 Series



How to Order

Valves

I24 BA 4 15 M P 000 61

Valve Series and Port Size

- I12* = ISO 5599/2 Size 1 1/4
- I13 = ISO 5599/2 Size 1 3/8
- I23* = ISO 5599/2 Size 2 3/8
- I24 = ISO 5599/2 Size 2 1/2
- I34* = ISO 5599/2 Size 3 1/2
- I35 = ISO 5599/2 Size 3 3/4

*Use for valve unit only (Mounting = 00)

First letter = "14" Actuator

Second letter = "12" Actuator

- BA = Solenoid Pilot w/Spring Return
- BB = Double Solenoid
- BW = Solenoid Pilot w/Differential Air Return
- SA = Direct Solenoid w/Spring Return
- SS = Double Direct Solenoid
- 00 = Manifold Block without Valve

Function

- 4 = 2 Position, 4-Way
- 5 = 3 Position, 4-Way Open Center
- 6 = 3 Position, 4-Way Closed Center
- P = Indicates Blank Station Plate

Mounting

- 00 = Valve Unit Only
- 01 = 00 w/Speed Control
- 15** = Manifold Block, Side and Bottom Cylinder Ports
- 25 = 15 w/Speed Control
- 3A = Base, Side Ports, Individual Exhaust
- 3B = Base, Side and Bottom Ports, Individual Exhaust
- 3C = 3A w/Speed Control
- 3D = 3B w/Speed Control
- MN = Midstation Supply and Exhaust Block without Internal Circuit Board
- MS = Midstation Supply and Exhaust Block with Internal Circuit Board
- Z1 = Manifold Block w/Side and Bottom Ports, Single Solenoid Internal Circuit Board
- Z2** = Manifold Block w/Side and Bottom Ports, Double Solenoid Internal Circuit Board
- Z5 = Z1 w/Speed Control
- Z6 = Z2 w/Speed Control
- R1 = Z1 w/Ribbon Cable Connector
- R2 = Z2 w/Ribbon Cable Connector
- R5 = Z5 w/Ribbon Cable Connector
- R6 = Z6 w/Ribbon Cable Connector

**Also Used with Function P= Blank Station

Voltage

- 20 = 24/50-60 VAC
- 30 = 110-120/50-60 VAC
- 40 = 220-240/50-60 VAC
- 61 = 24 VDC
- 00 = Use w/Blank Station Plate

Options

- 11B = Flush Locking Override
 - 11Z = Extended Locking Override
 - 14B = Internal Pilot Supply from #1 (P) If Not Standard
 - 14C*** = Internal Pilot Supply from #3 (EB)
 - 14D*** = Internal Pilot Supply from #5 (EA)
 - 15G = 5 Pin Mini Connector (Valve Conduit Cover)
 - 17G = Low Wattage Solenoid Pilot-1.85 Watt
 - 14X *** = External Pilot Supply Through Base or Manifold Endplates
 - 17N = DC Solenoid with Surge Suppression Diode
 - 46T = Zinc Plated "T" Armature In Solenoid(s) - AC Only, Direct Acting Only
 - 56Y = 4 Pin Micro Connector in Mounting
 - 60V = 4 Pin Micro Connector (Valve Conduit Cover)
- ***Must use one of these options when used with RC, RQ, or RD regulators and solenoid pilot valves.

Port Type

- 0 = NPTF (Direct Solenoid Valves)
- G = G Tap (Direct Solenoid Valves)
- P = NPTF (Solenoid Pilot Valves)
- Q = G Tap (Solenoid Pilot Valves)

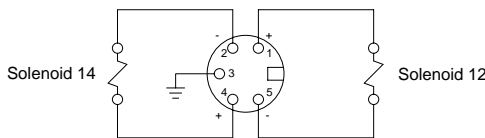
Wiring Option

- K = Plug-in AC w/Light
- L = Standard AC, Special Connector (15G)
- M = Plug-in DC w/Light
- O = Blank Station Plate
- R = Standard DC, Special Connector (60V)

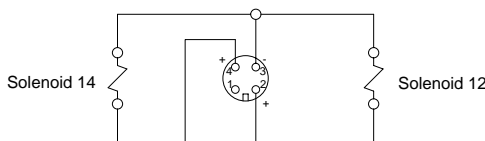
Note: Standard for all ISO 5599/2 Valve Series is internal pilot supply from port #1.

Wiring Diagrams

5 Pin (Mini) Connector
15G (Valve Conduit Cover)

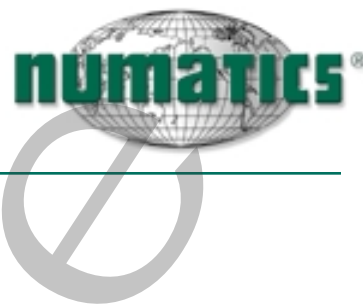


4 Pin 12mm (Micro) Connector
60V (Valve Conduit Cover)
56Y (Mounting)





ISO 5599/2 Series



How to Order continued

Regulators

I24 RS 1 15 J P 000 00

Valve Series and Port Size

- I12* = ISO 5599/2 Size 1 1/4"
 - I13 = ISO 5599/2 Size 1 3/8"
 - I23* = ISO 5599/2 Size 2 3/8"
 - I24 = ISO 5599/2 Size 2 1/2"
 - I34* = ISO 5599/2 Size 3 1/2"
 - I35 = ISO 5599/2 Size 3 3/4"
- *Use for regulator unit only (Mounting = 00)

Regulator Type

- RS = Single Pressure to Port #1 (P)
 - RD** = Dual Pressure to Ports #3 (EB) & #5 (EA)
 - RC** = Dual Pressure w/Non-relieving Checks Air Return (Sizes 2 & 3 Only)
 - RQ** = Dual Pressure w/Relieving Checks
 - RE = Dual Pressure, External Outlet
- **Solenoid pilot valves used with RC, RD & RQ regulators must have the pilot supply from other than internally from port #1 (P)

Pressure Range

- 1 = 10 - 130 PSIG (0.7 - 9 bar)
- 3 = 3 - 30 PSIG (0.2 - 2 bar)
- 4 = 5 - 60 PSIG (0.3 - 4.1 bar)
- 6 = 20 - 250 PSIG (1.4 - 17 bar)

Options

- 16N = Jumper on 14 (A) End
- 16P = Jumper on 12 (B) End

Port Type

- 0 = NPTF (ISO5599/2 Size 3)
- G = G Tap (ISO5599/2 Size 3)
- P = NPTF (ISO5599/2 Size 1 & 2)
- Q = G Tap (ISO5599/2 Size 1 & 2)

Wiring Option

- J = Plug-In Receptacle
- O = No Electrical Connection

Mounting

- 00 = Regulator Unit Only
- 15 = Manifold Block, Side and Bottom Cylinder Ports
- 3A = Base, Side Ports, Individual Exhaust
- 3B = Base, Side and Bottom Ports, Individual Exhaust
- Z0 = Manifold Block w/Side and Bottom Ports Transfer Board, Used w/RE Regulator
- Z1 = Manifold Block with Side and Bottom Ports, Single Solenoid Internal Circuit Board
- Z2 = Manifold Block with Side and Bottom Ports, Double Solenoid Internal Circuit Board
- Z5 = Z1 w/Speed Control
- Z6 = Z2 w/Speed Control
- R1 = Z1 w/Ribbon Cable Connector
- R2 = Z2 w/Ribbon Cable Connector
- R5 = Z5 w/Ribbon Cable Connector
- R6 = Z6 w/Ribbon Cable Connector
- Z0 = RE only (no Z-board)

Assembly Kit

AK 0 R C 0000 4 N STD

Electrical/Connection Type and Location

- 0 = Standard
- E* = Fieldbus Electronics (w/"Z-Board"™)
- F* = Terminal Strip 1-16
- J* = 25 Pin Sub-D
- M* = 37 Pin Sub-D
- R* = 26 Pin Round Connector
- S* = 26 + 12 Pin Round Connector
- T* = Terminal Strip 1-32
- V = Fieldbus Electronics (hardwired)

*Used with Z-board only.

Valve Series(s)

- Q = ISO 5599/2 size 1
- R = ISO 5599/2 size 2
- S = ISO 5599/2 size 3

Number(s) of Valve Stations

- A = 1 I = 9
- B = 2 J = 10
- C = 3 K = 11
- D = 4 L = 12
- E = 5 M = 13
- F = 6 N = 14
- G = 7 O = 15
- H = 8 P = 16

Options

- STD = Standard

Port Type

- N = NPTF
- G = G Tap

End Plate Port Size

- 3 = 3/8 (Size 1)
- 4 = 1/2 (Size 2)
- 6 = 1 (Size 3)
- X = 2 or more valve series in one manifold assembly

Valve Series and Number of stations (Non-Z-Board version only)

EXAMPLE

ISO 2 manifold with side and bottom ports

AKORCOOOO4NSTD
 Station 1 I23BA415MP00061
 Station 2 I23BB415MP00061
 Station 3 I23BB400MP00061
 I23RS115JP00000
 ASSEMBLED

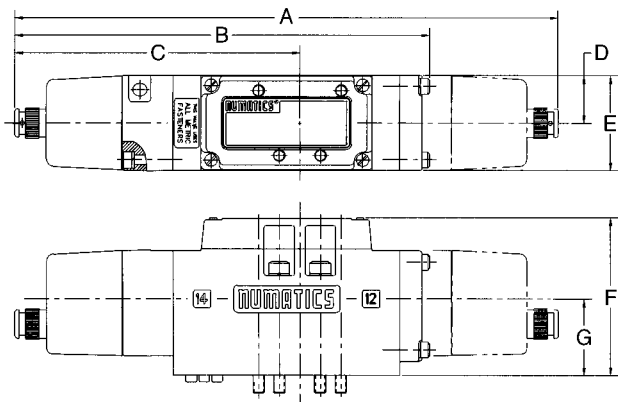
Maximum Solenoid Outputs

TERMINAL STRIP		25 PIN SUB-D	37 PIN SUB-D	26 PIN ROUND	26 + 12 PIN ROUND
AK*F	AK*T	AK*J	AK*M	AK*R	AK*S
16	32	22	32	22	32

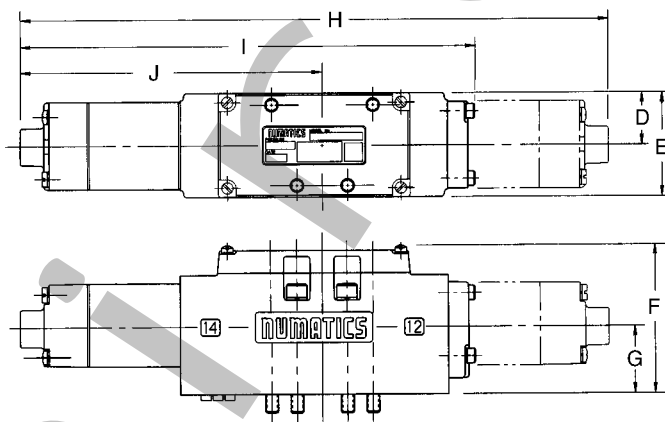


Valve Units

Solenoid Pilot Actuated



Direct Solenoid Actuated

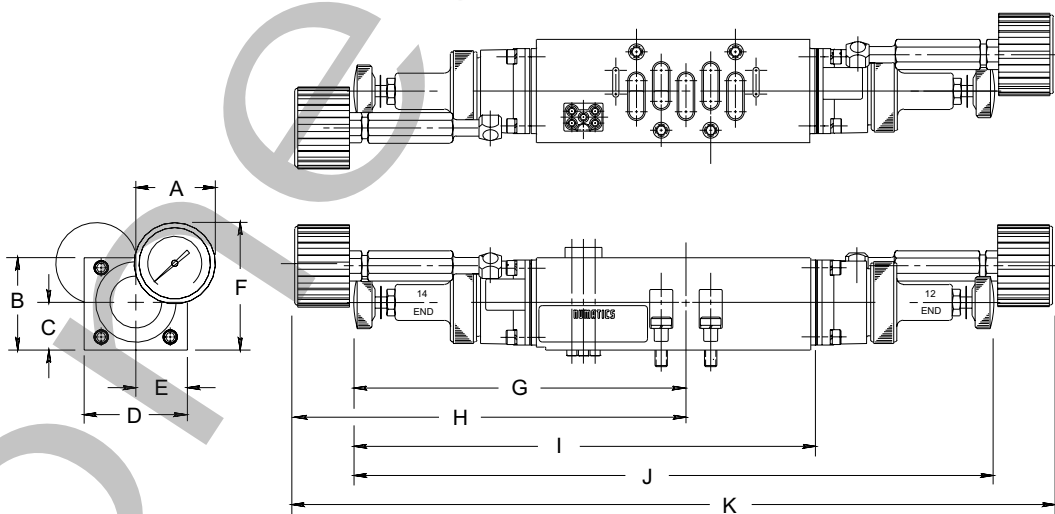


Dimensions

Top dimensions = inches
Bottom dimensions (in parenthesis) = millimeters

	A	B	C	D	E	F	G	H		I		J	
								DC	AC	DC	AC	DC	AC
Size 1	9.32 (236.7)	7.11 (180.6)	4.89 (124.2)	0.83 (21.0)	1.65 (41.9)	2.69 (68.4)	1.30 (32.9)	11.23 (285.3)	9.75 (247.8)	8.09 (205.4)	7.35 (186.6)	5.83 (148.1)	5.10 (129.6)
Size 2	10.41 (264.4)	8.27 (210.1)	5.36 (136.1)	0.99 (25.0)	1.97 (50.0)	2.79 (70.8)	1.25 (31.8)	12.34 (313.4)	10.86 (275.8)	9.18 (233.2)	8.45 (214.7)	6.32 (160.5)	5.58 (141.7)
Size 3	11.65 (295.9)	9.27 (235.5)	6.05 (153.7)	1.26 (32.0)	2.52 (64.0)	2.93 (74.3)	1.22 (30.9)	N/A N/A	12.40 (314.9)	N/A N/A	9.05 (229.8)	N/A N/A	5.86 (148.7)

Sandwich Pressure Regulator



Dimensions

Top dimensions = inches
Bottom dimensions (in parenthesis) = millimeters

	A	B	C	D	E	F	G	H	I	J	K
Size 1	1.55 (39.4)	1.77 (45.0)	0.92 (23.3)	1.70 (43.2)	0.85 (21.6)	2.46 (62.5)	5.98 (151.9)	7.10 (180.3)	7.83 (198.9)	11.19 (284.2)	13.44 (341.4)
Size 2	1.55 (39.4)	1.77 (45.0)	0.92 (23.4)	2.02 (51.3)	1.01 (25.9)	2.46 (62.5)	6.33 (160.8)	7.46 (189.5)	8.81 (223.8)	12.19 (309.6)	14.44 (366.8)
Size 3	1.55 (39.4)	2.65 (67.3)	1.32 (33.5)	2.52 (64.0)	1.26 (32.0)	3.36 (85.3)	9.11 (231.4)	7.71 (195.8)	11.77 (299.0)	17.45 (443.2)	14.63 (371.6)



ISO 5599/2 Series

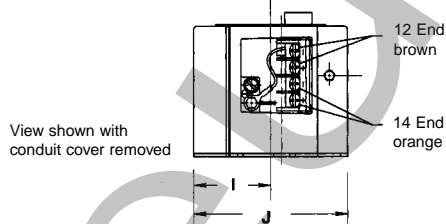
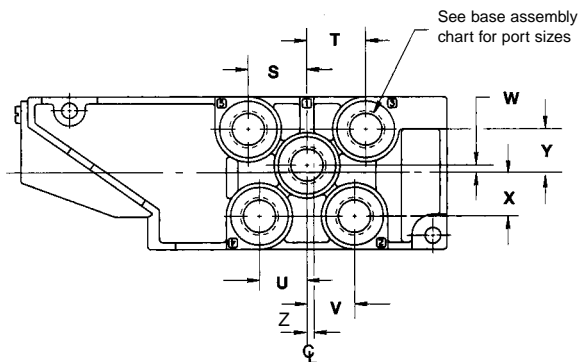
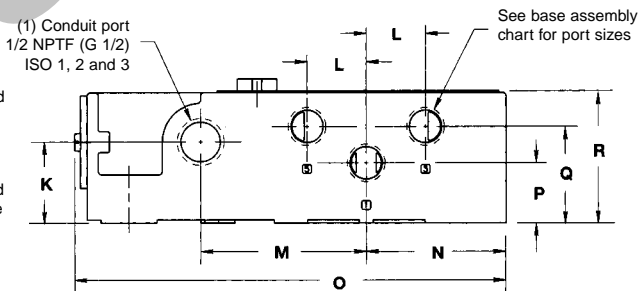
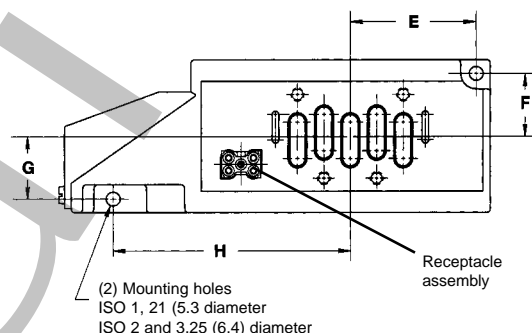
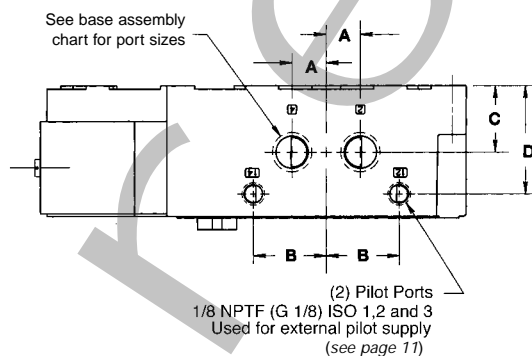
Base Assembly

Base Assembly Part Numbers

SERIES	PORT SIZE	SIDE PORTS ONLY	SIDE & BOTTOM PORTS
ISO 1	1/4 NPTF	203-818	203-822
	3/8 NPTF	203-817	203-821
	G 1/4	203-819	203-823
ISO 2	G 3/8	203-820	203-824
	3/8 NPTF	203-829	203-833
	1/2 NPTF	203-830	203-834
ISO 3	G 3/8	203-831	203-835
	G 1/2	203-832	203-836
	1/2 NPTF	203-837	203-841
	3/4 NPTF	203-838	203-842
	G 1/2	203-839	203-843
	G 3/4	203-840	203-844

Receptacle Assembly Part Numbers

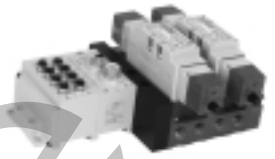
	STANDARD	WITH Z-BOARD
Size 1	230-680	230-1066
Size 2	230-707	230-1062
Size 3	230-707	230-1062



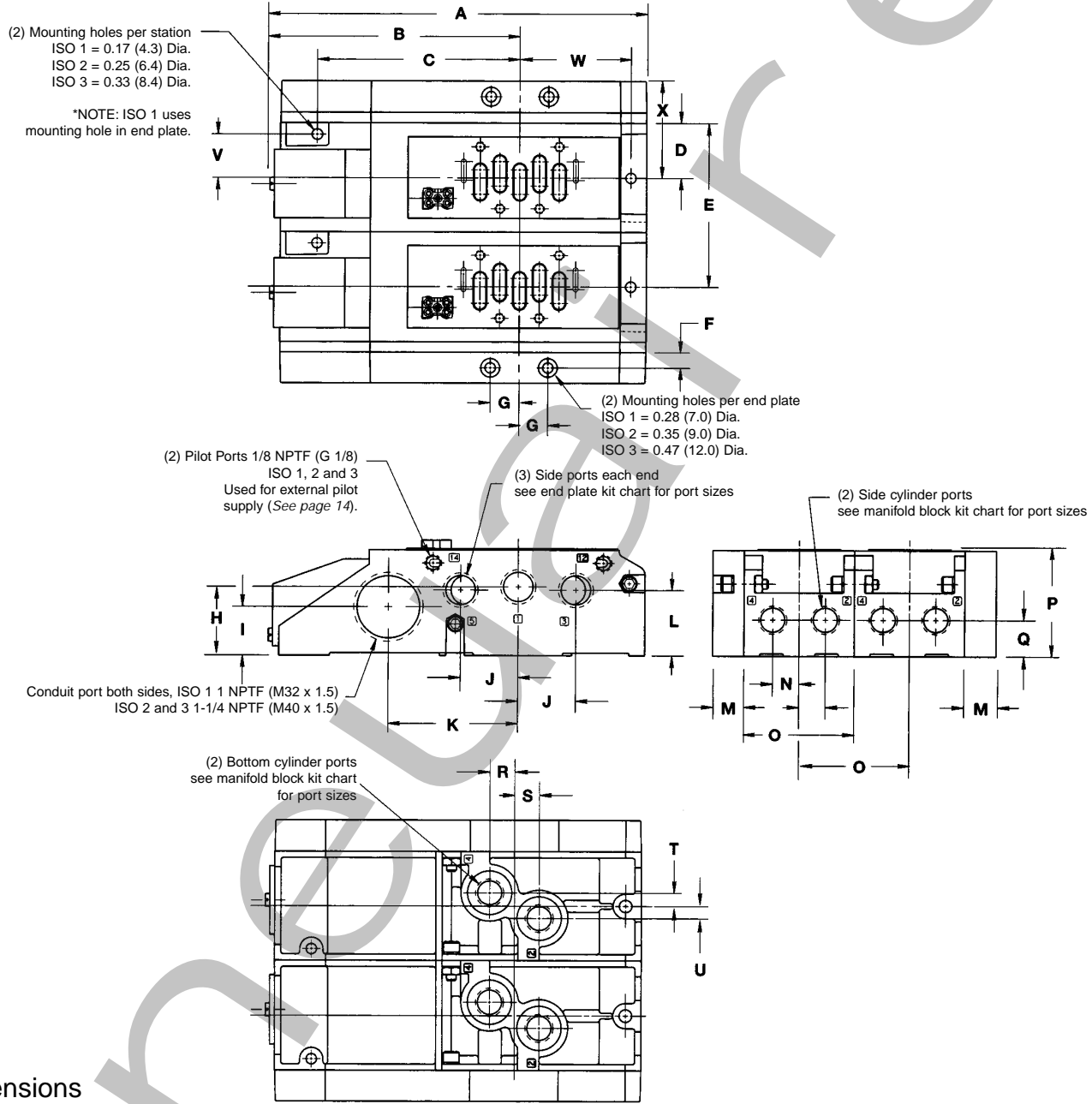
Dimensions

Top dimensions = inches
Bottom dimensions (in parenthesis) = millimeters

	A	B	C	D	E	F	G	H	I	J	K	L	M
Size 1	0.50 (12.7)	1.02 (25.9)	0.82 (20.8)	1.49 (37.8)	1.55 (39.4)	0.89 (22.6)	0.90 (22.9)	3.63 (92.2)	1.14 (29.0)	2.27 (57.7)	0.94 (23.9)	0.86 (21.8)	2.37 (60.2)
Size 2	0.61 (15.5)	1.31 (33.3)	1.19 (30.2)	1.94 (49.3)	2.25 (57.2)	1.13 (28.7)	1.13 (28.7)	4.25 (108.0)	1.38 (35.1)	2.75 (69.9)	1.47 (37.2)	1.06 (26.9)	2.97 (75.4)
Size 3	0.81 (20.6)	1.77 (45.0)	1.33 (33.9)	2.73 (69.3)	2.48 (63.0)	1.52 (38.6)	1.43 (36.3)	5.38 (136.7)	1.77 (45.0)	3.54 (89.9)	1.84 (46.7)	1.49 (37.8)	4.09 (103.9)
	N	O	P	Q	R	S	T	U	V	W	X	Y	Z
Size 1	1.81 (45.9)	6.47 (164.3)	0.82 (20.8)	1.33 (33.8)	1.85 (47.0)	0.84 (21.3)	1.07 (27.2)	0.50 (12.7)	0.59 (15.0)	0.33 (8.4)	0.65 (16.5)	0.63 (16.0)	0.12 (3.0)
Size 2	2.50 (63.5)	7.76 (197.1)	1.09 (27.7)	1.74 (44.2)	2.38 (60.5)	1.05 (26.7)	1.05 (26.7)	0.85 (21.6)	0.85 (21.6)	0.13 (3.3)	0.78 (19.8)	0.78 (19.8)	N/A
Size 3	2.73 (69.3)	9.26 (235.5)	1.33 (33.9)	2.02 (51.3)	3.34 (84.9)	1.63 (41.4)	1.63 (41.4)	1.07 (27.2)	1.07 (27.2)	0.81 (20.6)	0.81 (20.6)	0.81 (20.6)	N/A



Manifold Block Assembly



Dimensions

Top dimensions = inches
Bottom dimensions (in parenthesis) = millimeters

	A	B	C	D	E	F	G	H	I	J	K	L	M
Size 1	7.19 (182.6)	4.92 (125.0)	N/A N/A	1.04 (26.4)	3.11 (79.0)	0.55 (14.0)	0.55 (14.0)	1.32 (33.5)	0.97 (24.6)	1.10 (27.9)	2.50 (63.5)	1.20 (30.5)	0.87 (22.1)
Size 2	9.00 (228.6)	5.97 (151.6)	4.84 (122.9)	1.31 (33.3)	3.94 (100.1)	0.63 (16.0)	0.69 (17.5)	1.65 (41.9)	1.16 (29.5)	1.38 (35.1)	3.10 (78.7)	1.57 (39.9)	1.00 (25.4)
Size 3	10.61 (269.5)	7.10 (180.3)	5.94 (150.9)	1.68 (42.7)	5.05 (128.3)	0.59 (15.0)	1.02 (25.9)	1.79 (45.5)	1.22 (31.0)	2.05 (52.1)	4.10 (104.1)	1.67 (42.4)	1.18 (30.0)
	N	O	P	Q	R	S	T	U	V	W	X		
Size 1	0.51 (13.0)	2.08 (52.8)	2.18 (55.4)	0.63 (16.0)	0.51 (13.0)	0.51 (13.0)	0.26 (6.6)	0.26 (6.6)	N/A N/A	2.02 (51.3)	1.90 (48.3)		
Size 2	0.63 (16.0)	2.63 (66.8)	2.58 (65.5)	0.86 (21.8)	0.59 (15.0)	0.59 (15.0)	0.32 (8.1)	0.30 (7.6)	1.04 (26.4)	2.65 (67.3)	2.31 (58.7)		
Size 3	0.83 (21.1)	3.37 (85.6)	3.06 (77.7)	0.77 (19.6)	0.70 (17.8)	0.80 (20.3)	0.49 (12.4)	0.47 (11.9)	1.25 (31.8)	3.11 (79.0)	2.86 (72.6)		



ISO 5599/2 Series

Manifold Assembly Kits with “Z-Board”™

SERIES	PORT SIZE	KIT NUMBER WITH SINGLE Z-BOARD	KIT NUMBER WITH DOUBLE Z-BOARD	KIT NUMBER WITH SINGLE RIBBON CABLE	KIT NUMBER WITH DOUBLE RIBBON CABLE
ISO 1	1/4 NPTF	239-2128	239-1931	239-2132	239-1935
	3/8 NPTF	239-2129	239-1930	239-2133	239-1934
	G 1/4	239-2130	239-1933	239-2134	239-1937
	G 3/8	239-2131	239-1932	239-2135	239-1936
ISO 2	3/8 NPTF	239-2136	239-1893	239-2140	239-1897
	1/2 NPTF	239-2137	239-1894	239-2141	239-1898
	G 3/8	239-2138	239-1895	239-2142	239-1899
	G 1/2	239-2139	239-1896	239-2143	239-1900
ISO 3	1/2 NPTF	239-2144	239-1901	239-2148	239-1905
	3/4 NPTF	239-2145	239-1902	239-2149	239-1906
	G 1/2	239-2146	239-1903	239-2150	239-1907
	G 3/4	239-2147	239-1904	239-2151	239-1908

Manifold Assembly Kits without “Z-Board”™

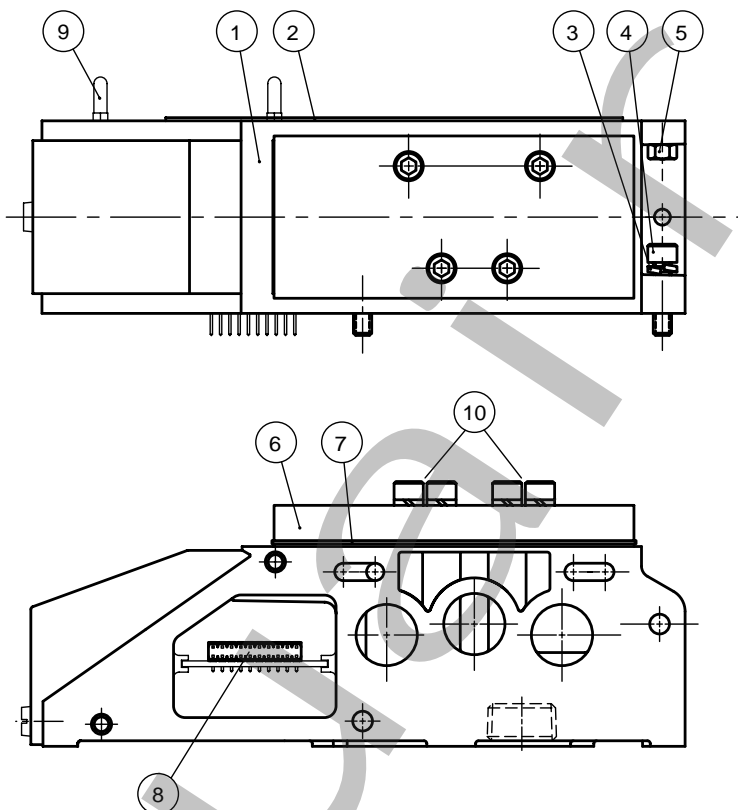
SERIES	PORT SIZE	KIT NUMBER
ISO 1	1/4 NPTF	239-638
	3/8 NPTF	239-637
	G 1/4	239-640
	G 3/8	239-639
ISO 2	3/8 NPTF	239-647
	1/2 NPTF	239-648
	G 3/8	239-649
	G 1/2	239-650
ISO 3	1/2 NPTF	239-654
	3/4 NPTF	239-655
	G 1/2	239-656
	G 3/4	239-657



ISO 5599/2 Series



Mid-Station Supply and Exhaust Block



NOTE: For dimensions and port locations, see page 9.

DET. NO.	NO. REQ'D	PART NAME	SIZE 1		SIZE 2		SIZE 3	
			3/8 NPTF	G 3/8	1/2 NPTF	G 1/2	3/4 NPTF	G 3/4
		with Z-Board	239-1938	239-1939	239-1940	239-1941	239-1942	239-1943
		without Z-Board	239-2101	239-2102	239-2103	239-2104	239-2105	239-2106
1	1	Manifold Assembly: with Z-Board	206-1455	206-1456	206-1457	206-1458	206-1459	206-1460
		without Z-Board	206-1497	206-1498	206-1499	206-1500	206-1501	206-1502
2	1	Gasket		113-447		113-453		113-457
3	6	Lockwasher		128-170		128-171		128-187
4	2	Screw		127-409		127-427		127-443
5	2	Nut		128-234		128-235		128-236
6	1	Blank Station Plate		104-525		104-526		104-538
7	1	Gasket		113-581		113-582		113-583
8*	1	Transfer Board		256-811		256-790		256-802
9*	2	Guide Pin		131-250		131-250		131-250
10	4	Screw		127-409		127-529		127-441

*Not required for midstation supply and exhaust blocks without "Z-Board."TM



ISO 5599/2 Series

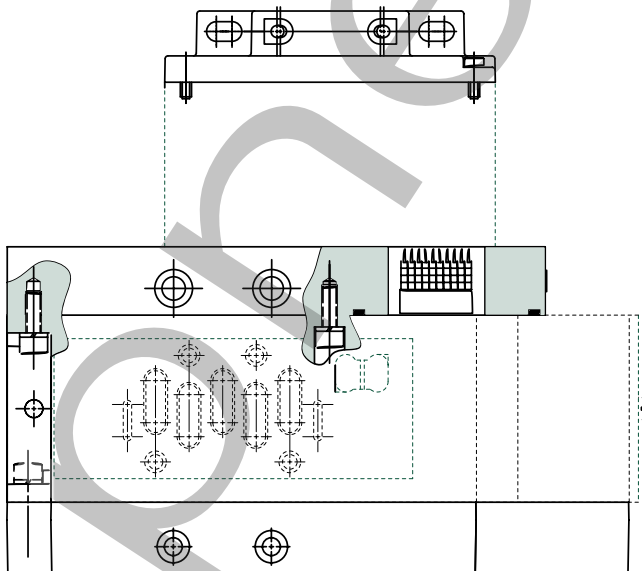
End Plate Kits



End Plate Kits
for Non-“Z-Board”™ Manifolds

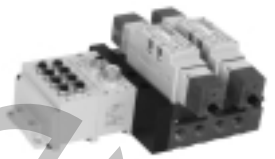
SERIES	PORT SIZE	KIT NUMBER	COMMON EXHAUST
ISO 1	3/8 NPTF	239-635	N/A
	G 3/8	239-636	N/A
ISO 2	1/2 NPTF	239-642	239-874
	G 1/2	239-643	N/A
ISO 3	1 NPTF	239-658	239-875
	G 1	239-659	N/A

End Plate Kit with “Z-Board”™



End Plate Kits for “Z-Board”™ Manifolds

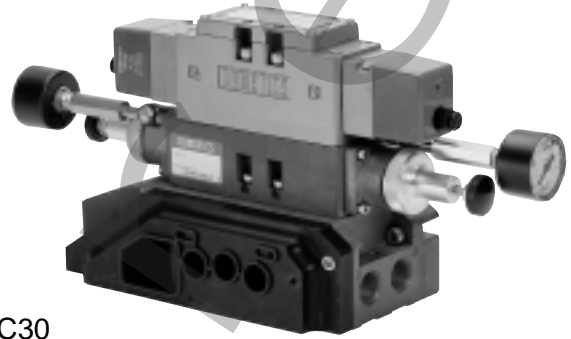
SERIES	PORT SIZE	KIT NUMBER WITH MOUNTING COVER	KIT NUMBER WITHOUT MOUNTING COVER
ISO 1	3/8 NPTF	239-1947	239-1945
	G 3/8	239-1948	239-1946
ISO 2	1/2 NPTF	239-1951	239-1949
	G 1/2	239-1952	239-1950
ISO 3	1 NPTF	239-1955	239-1953
	G 1	239-1956	239-1954



Sandwich Pressure Regulators

Types: RS / RD / RC / RQ

When ordering a valve plus regulator mounted on a base or manifold, list the valve unit—only model number and include the mounting requirements only within the regulator. Specify “Assembled.”



Example orders: TYPE RS

TYPE RD

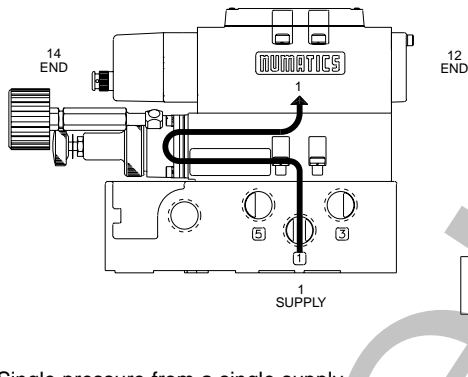
Valve unit only: I23BA400KP00030

I23BB400KP14C30

Regulator +mounting I23RS13AJP00000
ASSEMBLED

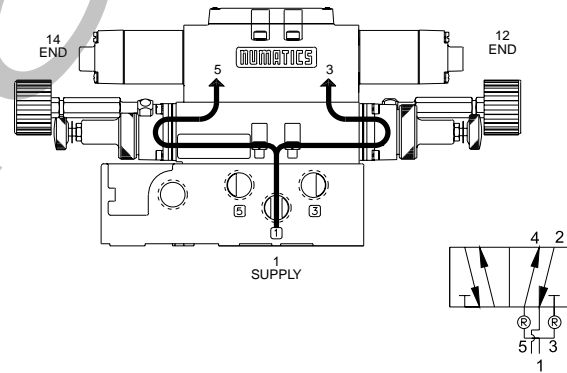
I23RD115JP00000
ASSEMBLED

Type RS



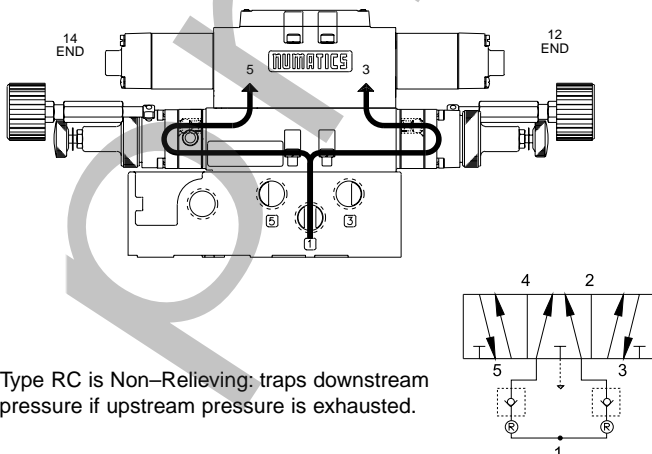
Single pressure from a single supply.

Type RD



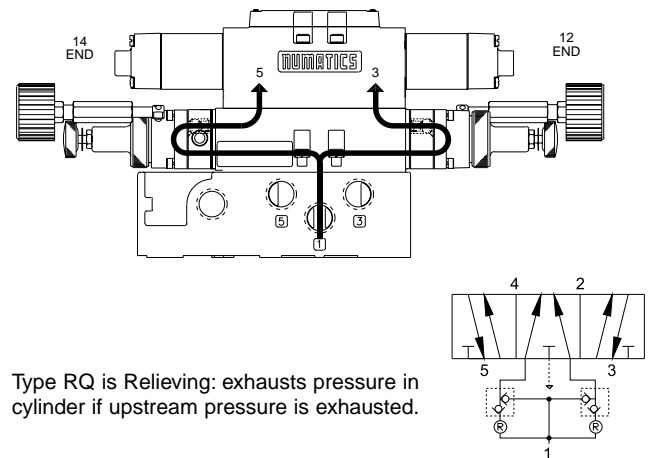
Dual pressure from a single supply.

Type RC



Type RC is Non-Relieving: traps downstream pressure if upstream pressure is exhausted.

Type RQ



Type RQ is Relieving: exhausts pressure in cylinder if upstream pressure is exhausted.

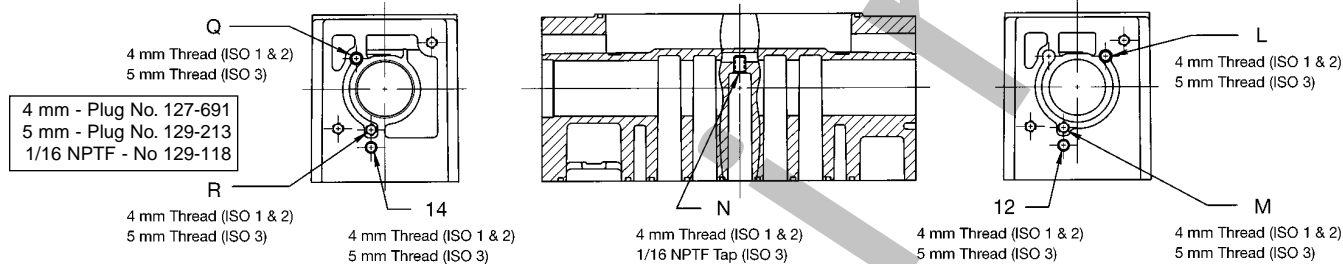


ISO 5599/2 Series

Pilot Plugging Arrangements and Service Kits

The Numatics valve bodies used for the ISO 5599/2 Series have a number of tapped pilot passages. Simply by opening or plugging certain passages, a number of different pilot supply options are available. A cross section of the

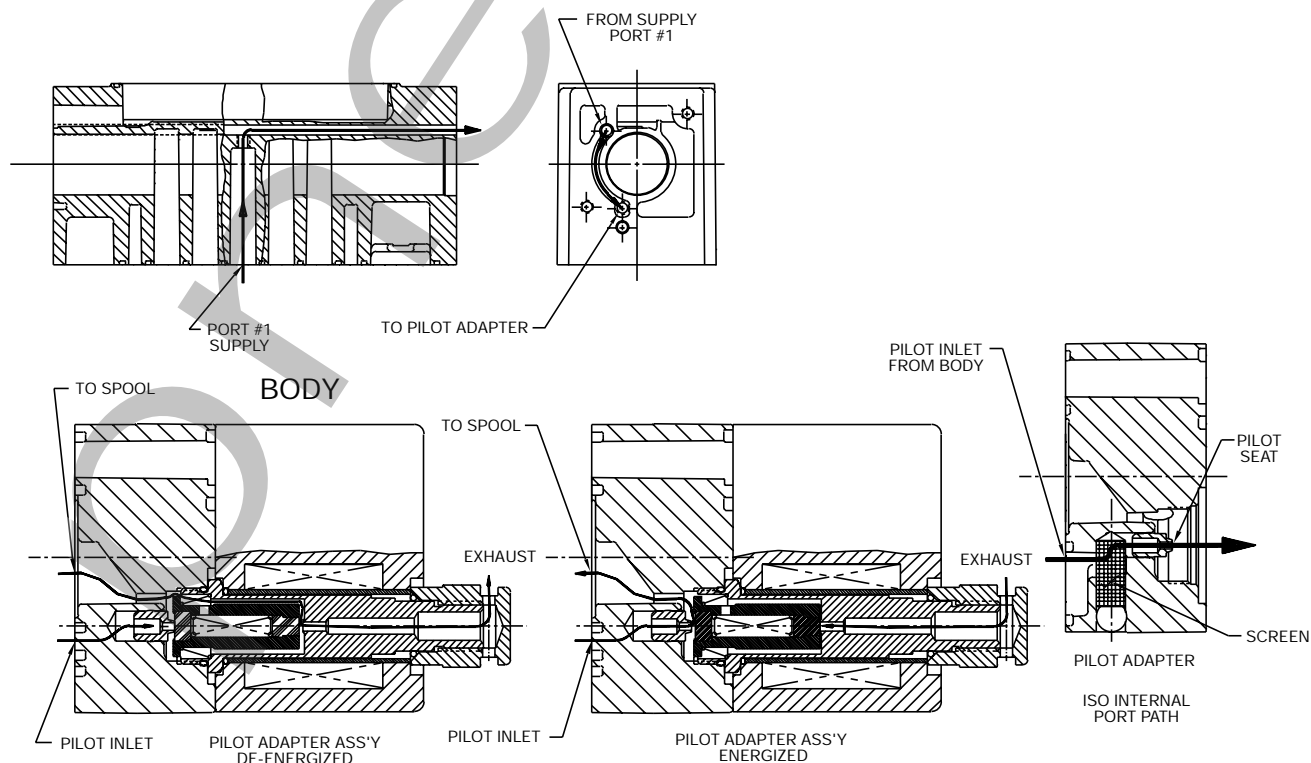
valve bodies and both end views are shown below. These views show the location of all passages. The letters do not appear on the casting. They are used only to identify the ports and the locations.



PILOT PORT	STANDARD INTERNAL SUPPLY FROM PORT 1		EXTERNAL SUPPLY FROM PORT 12		14X EXTERNAL SUPPLY FROM PORT 14		14C INTERNAL SUPPLY FROM PORT 3		14D INTERNAL SUPPLY FROM PORT 5	
	SINGLE PILOT	DOUBLE PILOT	SINGLE PILOT	DOUBLE PILOT	SINGLE PILOT	DOUBLE PILOT	SINGLE PILOT	DOUBLE PILOT	SINGLE PILOT	DOUBLE PILOT
L	Plug	Open	N/A	Open	Plug	Open	N/A	Open	Open	Open
M	Plug	Plug	N/A	Plug	Plug	Plug	N/A	Open	Plug	Plug
N	Open	Open	N/A	Plug	Plug	Plug	N/A	Plug	Plug	Plug
Q	Open	Open	N/A	Open	Plug	Open	N/A	Open	Plug	Open
R	Plug	Plug	N/A	Plug	Plug	Plug	N/A	Plug	Open	Open
12	Plug	Plug	N/A	Open	Plug	Plug	N/A	Plug	Plug	Plug
14	Plug	Plug	N/A	Plug	Open	Open	N/A	Plug	Plug	Plug

NOTE: Standard for all ISO 5599/2 valve series is internal supply from port #1.

Flow Paths for Solenoid Air Pilot Actuation





ISO 5599/2 Series



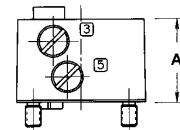
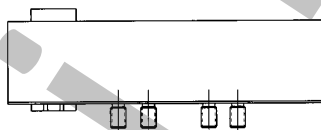
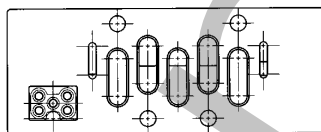
Speed Controls Kits

The ISO speed control kit mounts between the valve unit and any base, manifold, or RS regulator. The 3 and 5 ports of the unit contain needle valves which can be adjusted to throttle the flow of exhaust air out of the valve

unit. Thus, the speeds of the two strokes of a cylinder piston can be adjusted independently on the same end of the speed control unit.

Speed Control Kit Numbers

SERIES	PART NUMBERS	DIMENSIONS "A"
ISO 1	239-634	0.93" (23.6 mm)
ISO 2	239-645	1.30" (33.0 mm)
ISO 3	239-661	1.63" (41.4 mm)



Transition Plate Kits

	ISO 1 TO ISO 2	ISO 2 TO ISO 1	ISO 2 TO ISO 3	ISO 3 TO ISO 2
Hardwired	239-662	239-663	239-664	239-665
With Z-Board	239-1957	N/A	239-1960	N/A

Gallery Blocking Disc Kits

May be used to block any gallery in a manifold system.



Disc Kit Numbers

SERIES	1-5 GALLERY	PILOT SUPPLY GALLERY
ISO 1	239-251	239-651
ISO 2	239-252	239-652
ISO 3	239-253	239-653

Blank Station Plate Kit

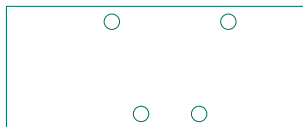


Plate Kit Numbers

SERIES	PART NUMBERS
ISO 1	239-641
ISO 2	239-644
ISO 3	239-660

Direct Solenoid Assemblies

VOLTAGES	SOLENOID CAPSULE ASS'Y ISO 1 & 2		SOLENOID ONLY ISO 1 & 2	SOLENOID CAPSULE ASSEMBLY ISO 3			SOLENOIDS ISO 3	
	2-POSITION	3-POSITION		SINGLE	DOUBLE 2-POSITION	DOUBLE 3-POSITION	SINGLE	DOUBLE
100-115/50 110-120/60	237-790	237-793	228-842	237-814	237-817	237-820	228-714	228-717
200-230/50 220-240/60	237-791	237-794	228-843	237-813	237-816	237-819	228-713	228-716
24/50-60	237-789	237-792	228-841	237-815	237-818	237-821	228-715	228-718
12 VDC	236-138	236-142	225-439	N/A	N/A	N/A	N/A	N/A
24 VDC	236-139	236-143	225-440	N/A	N/A	N/A	N/A	N/A

Solenoid Pilot Assemblies

VOLTAGES	PART NO.
110-120/60: 100-115/50 (Black Coil)	237-1045
220-240/60: 200-230/50 (Black Coil)	237-1046
24/50-60 (Black Coil)	237-1044
24 VDC (4.0 Watt) (Blue Coil)	236-384

NOTE: Core tube not available separately.

Regulator Gauges

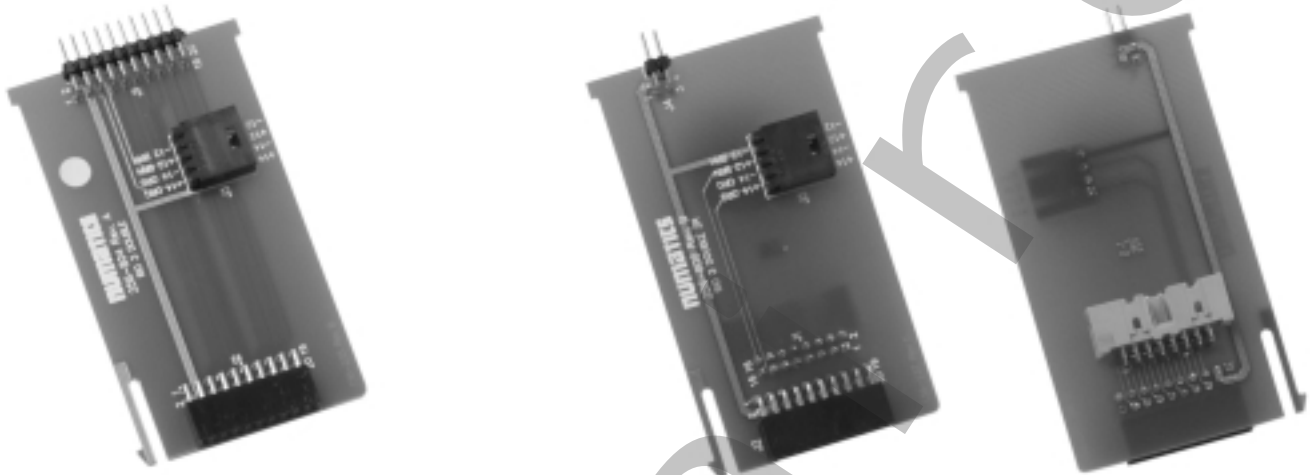
PRESSURE RANGE	PART NO.
0-160 PSIG	214-103
0-60 PSIG	214-116
0-100 PSIG	214-117
0-300 PSIG	214-118

NOTE: Core tube not available separately.



ISO 5599/2 Series

“Z-Boards”™



“Z-Board”™

“ZR-Board”™

SIZE	SINGLE “Z-BOARD”™	DOUBLE “Z-BOARD”™	SINGLE “ZR-BOARD”™	DOUBLE “ZR-BOARD”™	RIBBON CABLE
Size 1	256-861	256-812	256-862	256-813	230-1065
Size 2	256-791	256-792	256-800	256-801	230-1063
Size 3	256-803	256-804	256-805	256-806	230-1064

“Z-Board”™ Ribbon Cable

Ribbon cable option used for manifold assemblies that exceed 16 solenoid outputs.





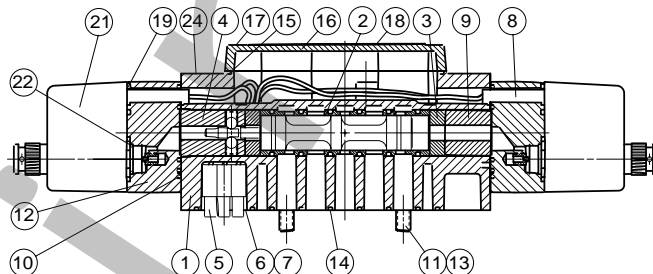
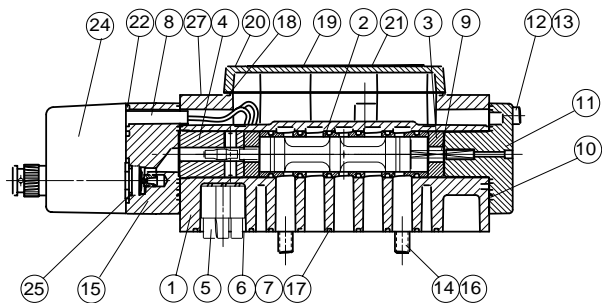
ISO 5599/2 Series



Valve Service Kits and Parts - Solenoid Pilot

Kit No. ISO 1 I1BP-K1
ISO 2 I2BP-K1
ISO 3 I3BP-K1

Kit No. ISO 1 I1BP-K2
ISO 2 I2BP-K2
ISO 3 I3BP-K2



BA4 Parts List

DET NO.	NO. REQ'D	ISO 1	ISO 2	ISO 3	PART NAME
1	1	101-624	101-623	101-626	Valve Body
2	1	209-314	209-571	209-572	Sleeve Ass'y w/ Seals
3	2	114-146	114-170	114-110	Bumper
4	1	110-132	110-133	110-134	Detent Body
5	1	230-700	230-700	230-708	Plug Assembly
6	1	127-342	127-342	127-342	Screw
7	1	127-180	127-180	127-180	Screw
8	1	125-309	125-309	125-309	Receptacle Housing
9	1	115-254	115-248	115-251	Spring
10	2	113-495	113-495	113-461	Gasket
11	1	204-523	204-598	204-524	Spring Cover Assembly
12	2	127-350	127-350	127-360	Screw
13	2	128-188	128-188	128-188	Lockwasher
14	4	127-620	127-430	127-447	Screw
15	1	219-278	219-278	219-417	Pilot Adaptor Assembly
16	4	128-170	128-171	128-170	Lockwasher
17	1	113-450	113-455	113-459	Gasket
18	1	113-449	113-454	113-458	Gasket
19	1	105-334	105-336	105-337	Conduit Cover
20	4	127-683	127-683	127-704	Screw
21	1	122-989	122-989	122-990	Nameplate
22	1	126-204	126-204	126-204	O-Ring Seal
23	2	127-672	127-672	127-412	Screw with Lockwasher
24	1	See pg. 15			Solenoid Capsule Assembly
25	1	126-133	126-133	126-133	O-Ring Seal
26	4	127-691	127-691	128-187	Screw / Lockwasher
27	1	122-1064	122-1064	N/A	Label
28	4	N/A	N/A	129-213	Plug

BB4 Parts List

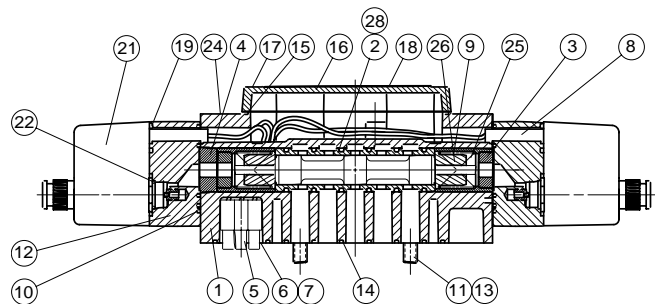
DET NO.	NO. REQ'D	ISO 1	ISO 2	ISO 3	PART NAME
1	1	101-624	101-623	101-626	Valve Body
2	1	209-314	209-571	209-572	Sleeve Ass'y w/ Seals
3	2	114-146	114-170	114-110	Bumper
4	1	210-134	210-135	210-136	Detent Body
5	2	230-699	230-699	230-765	Plug Assembly
6	1	127-342	127-342	127-342	Screw
7	1	127-180	127-180	127-180	Screw
8	1	125-309	125-309	125-309	Receptacle Housing
9	1	116-285	116-444	116-449	Spacer
10	2	113-495	113-495	113-461	Gasket
11	4	127-620	127-430	127-447	Screw
12	2	219-278	219-278	219-279	Pilot Adaptor Assembly
13	4	128-170	128-171	128-170	Lockwasher
14	1	113-450	113-455	113-459	Gasket
15	1	113-449	113-454	113-458	Gasket
16	1	105-334	105-336	105-337	Conduit Cover
17	4	127-683	127-683	127-704	Screw
18	1	122-989	122-989	122-990	Nameplate
19	1	126-204	126-204	126-204	O-Ring Seal
20	2	127-672	127-672	127-412	Screw with Lockwasher
21	1	See pg. 15			Solenoid Capsule Assembly
22	1	126-133	126-133	126-133	O-Ring Seal
23	4	127-691	127-691	128-187	Screw / Lockwasher
24	1	122-1064	122-1064	N/A	Label
25	4	N/A	N/A	129-213	Plug



ISO 5599/2 Series

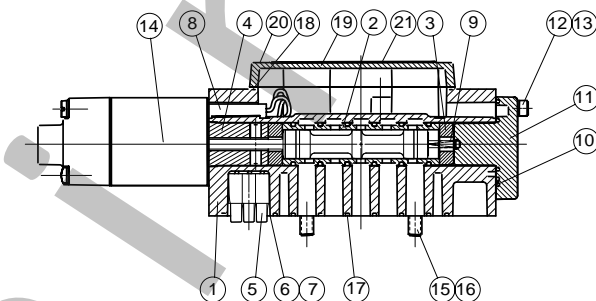
Valve Service Kits and Parts -
Solenoid Pilot continued

Kit No. ISO 1 I1BP-K3
ISO 2 I2BP-K3
ISO 3 I3BP-K3



Valve Service Kits and Parts -
Direct Solenoid

Kit No. ISO 1 I1SP-K1
ISO 2 I2SP-K1
ISO 3 I3SP-K1



BB5 and BB6 Parts List

DET NO.	NO. REQ'D	ISO 1	ISO 2	ISO 3	PART NAME
1	1	101-624	101-623	101-626	Valve Body
2	1	209-347	209-481	209-340	Sleeve Ass'y w/ Seals (BB5)
3	2	114-100	114-146	114-108	Bumper
4	1	116-344	116-443	114-448	Spacer
5	2	230-699	230-700	230-765	Plug Assembly
6	1	127-342	127-342	127-342	Screw
7	1	127-180	127-180	127-180	Screw
8	1	125-309	125-309	125-309	Receptacle Housing
9	1	116-446	116-442	116-343	Spacer
10	2	113-495	113-495	113-461	Gasket
11	4	127-620	127-430	127-447	Screw
12	2	219-278	219-278	219-280	Pilot Adaptor Assembly
13	4	128-170	128-171	128-170	Lockwasher
14	1	113-450	113-455	113-459	Gasket
15	1	113-449	113-454	113-458	Gasket
16	1	105-334	105-336	105-337	Conduit Cover
17	4	127-683	127-683	127-704	Screw
18	1	122-989	122-989	122-990	Nameplate
19	2	126-204	126-204	126-204	O-Ring Seal
20	4	127-672	127-672	127-412	Screw w/Lockwasher
21	2	See pg. 15			Solenoid Capsule Assembly
22	2	126-133	126-133	126-133	O-Ring Seal
23	4	127-691	127-691	128-187	Screw / Lockwasher
24	1	122-1064	122-1064	N/A	Label
25	2	115-225	115-337	115-242	Spring
26	2	116-316	116-441	116-333	Spring Retainer
27	4	N/A	N/A	129-213	Plug
28	1	209-348	209-482	209-341	Sleeve Ass'y w/Seals (BB6)

SA4 Parts List

DET NO.	NO. REQ'D	ISO 1	ISO 2	ISO 3	PART NAME
1	1	101-618	101-621	101-625	Valve Body
2	1	209-467	209-476	209-478	Sleeve Ass'y w/ Seals
3	2	114-146	114-170	114-110	Bumper
4	1	110-132	110-133	110-132	Detent Body
5	1	230-700	230-700	230-708	Plug Assembly
6	1	127-342	127-342	127-342	Screw
7	1	127-180	127-180	127-180	Screw
8	1	125-309	125-309	125-309	Receptacle Housing
9	1	115-214	115-214	115-165	Spring
10	1	113-495	113-495	113-461	Gasket
11	1	104-512	104-535	104-534	Spring Cover
12	2	127-350	127-350	127-360	Screw
13	4	128-188	128-188	128-188	Lockwasher
14	4	127-620	127-430	127-447	Screw
15	1	See p. 15	See p. 15	See p. 15	Sol. Capsule Assembly
16	2	128-170	128-171	128-170	Lockwasher
17	1	113-450	113-455	113-459	Gasket
18	1	113-449	113-454	113-458	Gasket
19	1	105-334	105-336	105-337	Conduit Cover
20	4	127-683	127-683	127-704	Screw
21	1	122-989	122-989	122-990	Nameplate



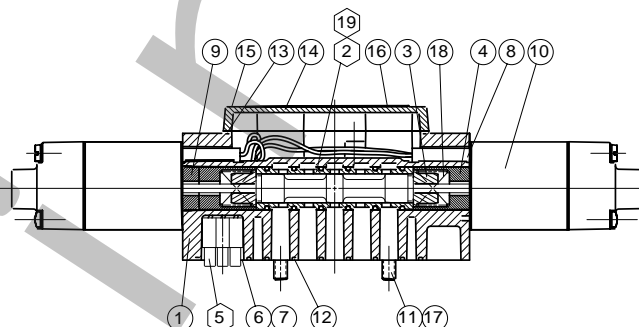
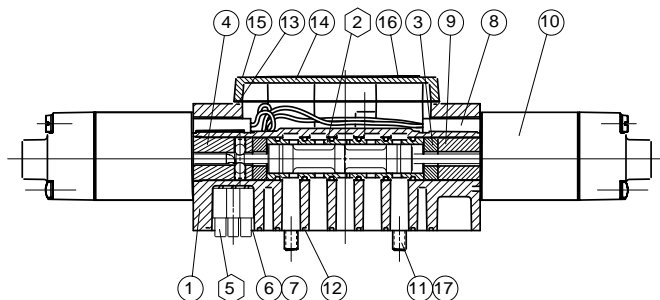
ISO 5599/2 Series



Valve Service Kits and Parts - Direct Solenoid continued

Kit No. ISO 1 I1SP-K2
ISO 2 I2SP-K2
ISO 3 I3SP-K2

Kit No. ISO 1 I1SP-K3
ISO 2 I2SP-K3
ISO 3 I3SP-K3



SS4 Parts List

DET NO.	NO. REQ'D	ISO 1	ISO 2	ISO 3	PART NAME
1	1	101-618	101-621	101-625	Valve Body
2	1	209-470	209-477	209-479	Sleeve Ass'y w/ Seals
3	2	114-146	114-170	114-110	Bumper
4	1	110-134	210-135	210-136	Detent Assembly
5	1	230-679	230-699	230-699	Plug Assembly
6	1	127-342	127-342	127-342	Screw
7	1	127-180	127-180	127-180	Screw
8	2	125-309	125-309	125-309	Receptacle Housing
9	1	116-285	116-444	116-317	Spacer
10	2	See p. 15	See p. 15	See p. 15	Sol. Capsule Assembly
11	4	128-170	128-171	128-187	Lockwasher
12	1	113-450	113-455	113-459	Gasket
13	1	113-449	113-454	113-458	Gasket
14	1	105-334	105-336	105-337	Conduit Cover
15	4	127-683	127-683	127-704	Screw
16	1	122-989	122-989	122-990	Nameplate
17	4	127-620	127-430	127-447	Screw

SS5 and SS6 Parts List

DET NO.	NO. REQ'D	ISO 1	ISO 2	ISO 3	PART NAME
1	1	101-618	101-621	101-625	Valve Body
2	1	209-471	209-483	209-489	Sleeve Ass'y w/ Seals (SS5)
3	2	116-287	116-391	116-401	Spring Retainer
4	2	116-345	116-443	116-342	Spacer
5	1	230-679	230-699	230-699	Plug Assembly
6	1	127-342	127-342	127-342	Screw
7	1	127-180	127-180	127-180	Screw
8	1	125-309	125-309	125-309	Receptacle Housing
9	1	116-446	116-445	116-448	Spacer
10	2	See p. 15	See p. 15	See p. 15	Sol. Capsule Assembly
11	4	128-170	128-171	128-187	Lockwasher
12	1	113-450	113-455	113-459	Gasket
13	1	113-449	113-454	113-458	Gasket
14	1	105-334	105-336	105-337	Conduit Cover
15	4	127-683	127-683	127-704	Screw
16	1	122-989	122-989	122-990	Nameplate
17	4	127-620	127-430	127-447	Screw
18	2	115-204	115-290	115-249	Spring
19	1	209-472	209-484	209-487	Sleeve Ass'y w/Seals (SS6)



ISO 15407-2 Series

How to Order 15407-2 18 mm

Valves

051 BB 4 B6 M N 000 61

Valve Series & Port Size

- 051* = 1/8 (Threaded only)
- 052 = 1/4 (Push-in only)
- 05F = 6mm
- 05H = 8mm

*Use for valve unit only (Mounting = 00).

Valve Type

- BA = Single Solenoid Pilot, (Spring Return) w/flush Non-Locking Override
- BB = Double Solenoid Pilot w/Flush Non-Locking Override

Function

- 4 = 2 position, 4-way
- 5 = 3 position, 4-way open center
- 6 = 3 position, 4-way closed center

Mounting

- 00 = Valve unit only
- 01 = 00 w/Speed Control
- B1 = Manifold Block w/Side and Bottom Ports, Single Solenoid Internal Circuit Board w/ISO 15407-2 Interface
- B2 = Manifold Block w/Side and Bottom Ports, Double Solenoid Internal Circuit Board w/ISO 15407-2 Interface
- B5 = B1 w/Speed Control
- B6 = B2 w/Speed Control
- C1 = B1 w/ Ribbon Cable Connector
- C2 = B2 w/ Ribbon Cable Connector
- C5 = B5 w/ Ribbon Cable Connector
- C6 = B6 w/ Ribbon Cable Connector

Voltage

- 20 = 24/50-60 VAC
- 30 = 110-120/50-60 VAC
- 60 = 12 VDC
- 61 = 24 VDC

Options

- 11B = Flush Locking Override
- 11M = No Override

Port Type

- L = Push-in Fitting
- N = NPTF (1/8 only)
- G = G Tap (1/8 only)
- O = Valve Unit only

Wiring Option

- K = Plug-in AC w/Light
- M = Plug-in DC w/Light

NOTE:

Manifold assembly kit ordering information for:

- Electrical interface options *see page 22.*
- Fieldbus electronics see Electronics section.

Regulators

051 RS 1 B1 J L 000 00

Valve Series & Port Size

- 051* = 1/8
- 052 = 1/4 (Push-in only)
- 05F = 6mm
- 05H = 8mm

*Use for regulator unit only(Mounting = 00).

Regulator Type

- RS = Single Pressure to Port 1(P)
- RD = Dual Pressure to Ports 3 (EB) & 5 (EA)

Pressure Range

- 1 = 10-130 PSIG (0.7-9 bar)
- 3 = 3-30 PSIG (0.2-2 bar)
- 4 = 5-60 PSIG (0.5-4 bar)

Mounting

- 00 = Regulator Unit Only
- B1 = Manifold Block w/Side and Bottom Ports, Single Solenoid Internal Circuit Board w/ISO 15407-2 Interface
- B2 = Manifold Block w/Side and Bottom Ports, Double Solenoid Internal Circuit Board w/ISO 15407-2 Interface
- B5 = B1 w/Speed Control
- B6 = B2 w/Speed Control
- C1 = B1 w/Ribbon Cable Connector
- C2 = B2 w/Ribbon Cable Connector
- C5 = B5 w/Ribbon Cable Connector
- C6 = B6 w/Ribbon Cable Connector

Special Options

- 12H = Less Gauge
- 16N = Jumper on 14 (A) End
- 16P = Jumper on 12 (B) End
- 16W = Top Facing Gauge
- 61Y = Extended Gauge
- 63D = 16W + 61Y Extended Top Facing Gauge

See Note Below

Port Type

- L = Push-in
- N = NPTF (1/8 only)
- G = G Tap (1/8 only)

Wiring Option

- J = Plug-in Receptacle Ass'y

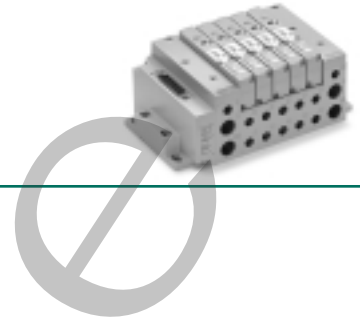
NOTE:

- * Regulator gauges must be offset on alternating stations to prevent interference (see photo)
- * Odd numbered stations will use either standard (no option) or top facing ("16W" option) gauges.
- * Even numbered stations will use either extended standard ("61Y" option) or extended top facing ("63D" option) gauges





ISO 15407-2 Series



How to Order 15407-2 26 mm

Valves

122 BB 4 B6 M L 000 61

Valve Series and Port Size

- 122* = 1/4
- 123 = 3/8
- 12H = 8mm
- 12K = 10mm
- *Use for valve unit only (Mounting = 00)

Valve Type

- BA = Single Solenoid Pilot, (Spring Return) w/Flush Non-Locking Override
- BB = Double Solenoid Pilot w/Flush Non-Locking Override

Function

- 4 = 2 Position, 4-Way
- 5 = 3 Position, 4-Way Open Center
- 6 = 3 Position, 4-Way Closed Center

Mounting

- 00 = Valve Unit only
- 01 = 00 w/Speed Control
- 08 = Valve Unit w/Long Screws for ISO 15407-2 Adaptor
- 09 = Valve Unit w/Long Screws and ISO 15407-2 Adaptor
- 7A = Individual Base, Side Ports, Individual Exhaust
- B1 = Manifold Block w/Side and Bottom Ports, Single Solenoid Internal Circuit Board w/ISO 15407-2 Interface
- B2 = Manifold Block w/Side and Bottom Ports, Double Solenoid Internal Circuit Board w/ISO 15407-2 Interface
- B5 = B1 w/Speed Control
- B6 = B2 w/Speed Control
- C1 = B1 w/Ribbon Cable Connector
- C2 = B2 w/Ribbon Cable Connector
- C5 = B5 w/Ribbon Cable Connector
- C6 = B6 w/Ribbon Cable Connector

Voltage

- 20 = 24/50-60 VAC
- 30 = 110-120/50-60 VAC
- 60 = 12 VDC
- 61 = 24 VDC

Options

- 11B = Flush Locking Override
- 11M = No Override
- 56Y = 12mm Electrical Connector in Conduit Port of Base Mounting only

Port Type

- L = Push-in Fitting
- N = NPTF
- G = G tap
- O = Valve Unit only

Wiring Option

- K = Plug-in AC w/Light
- M = Plug-in DC w/Light

NOTE:

- Manifold assembly kit ordering information for:
 - Electrical interface options *see page 22.*
 - Fieldbus electronics see Electronics section.

Regulators

122 RS 3 B1 J L 000 00

Valve Series & Port Size

- 122* = 1/4
- 123 = 3/8
- 12H = 8mm
- 12K = 10mm
- *Use for regulator unit only (Mounting = 00).

Regulator Type

- RS = Single Pressure to Port 1 (P)
- RD = Dual Pressure to Ports 3 (EB) & 5 (EA)
- RC = Dual Pressure w/Non-Relieving Checks
- RQ = Dual Pressure w/Relieving Checks
- RE = Dual Pressure to Ports 4 (A) & 2 (B)
- RT = 2 Pressure Selector

Pressure Range

- 1 = 10-130 PSIG (0.7-9 bar)
- 3 = 3-30 PSIG (0.2-2 bar)
- 4 = 5-60 PSIG (0.5 - 4 bar)

Mounting

- 00 = Regulator Unit only
- 7A = Individual Base, Side Ports, Individual Exhaust
- B0 = Manifold Block w/Side and Bottom Ports, Transfer Board w/ISO 15407-2 Interface, Used w/RE Regulators RE only (no Z-board)
- B1 = Manifold Block w/Side and Bottom Ports, Single Solenoid Internal Circuit Board w/ISO 15407-2 Interface
- B2 = Manifold Block w/Side and Bottom Ports, Double Solenoid Internal Circuit Board w/ISO 15407-2 Interface
- B5 = B1 w/Speed Control
- B6 = B2 w/Speed Control
- C1 = B1 w/Ribbon Cable Connector
- C2 = B2 w/Ribbon Cable Connector
- C5 = B5 w/Ribbon Cable Connector
- C6 = B6 w/Ribbon Cable Connector

Options

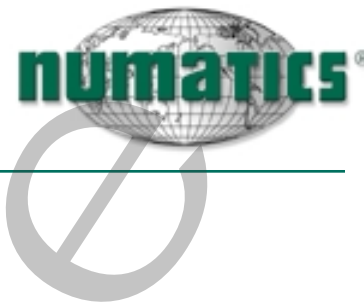
- 12H = Less Gauge
- 16N = Jumper on 14 (A) End
- 16P = Jumper on 12 (B) End
- 16W = Top Facing Gauge

Port Type

- L = Push-in
- N = NPTF
- G = G Tap

Wiring Option

- J = Plug-in Receptacle Ass'y
- O = Non-Plug-in (Type RE only)



ISO 15407-2 Series

Manifold Assembly

15407-2 18 mm

AK J E D 0000 3 L STD

Electrical/Electronics
Type & Location

- F = Terminal Strip 1-16
- T = Terminal Strip 1-32
- J = 25 Pin Sub-D
- M = 37 Pin Sub-D
- R = 26 Pin Round Connector
- S = 26 + 12 Pin Round Connector
- C = For Fieldbus Electronics, See Electronics section.

Valve Series

E = 15407-2 18 mm

Number of Valve Stations

- | | | | |
|-------|--------|--------|--------|
| A = 1 | I = 9 | Q = 17 | Y = 25 |
| B = 2 | J = 10 | R = 18 | Z = 26 |
| C = 3 | K = 11 | S = 19 | 2 = 27 |
| D = 4 | L = 12 | T = 20 | 3 = 28 |
| E = 5 | M = 13 | U = 21 | 4 = 29 |
| F = 6 | N = 14 | V = 22 | 5 = 30 |
| G = 7 | O = 15 | W = 23 | 6 = 31 |
| H = 8 | P = 16 | X = 24 | 7 = 32 |

Options

- STD = Standard
- DRM = DIN Rail Mounting
- MUF = Muffler in End Plates
- DWM = DIN Rail with MUF
- 14X = External Pilot

Port Type

- L = Push-in
- N = NPTF
- G = G tap

End Plate Port Size 2005

- 3 = Port type L, N or G
Port 1 = 3/8 Port 3/5 = 3/8
- K = Port type L only
Port 1 = 10mm Port 3/5 = 10mm

15407-2 26 mm

AK J G D 0000 3 L STD

Electrical Connection
Type & Location

- F = Terminal Strip 1-16
- T = Terminal Strip 1-32
- J = 25 Pin Sub-D
- M = 37 Pin Sub-D
- R = 26 Pin Round Connector
- S = 26 + 12 Pin Round Connector
- C = For Fieldbus Electronics, See Electronics section.

Valve Series

G = 15407-2 26 mm

Number of Valve Stations*

- | | | | |
|-------|--------|--------|--------|
| A = 1 | I = 9 | Q = 17 | Y = 25 |
| B = 2 | J = 10 | R = 18 | Z = 26 |
| C = 3 | K = 11 | S = 19 | 2 = 27 |
| D = 4 | L = 12 | T = 20 | 3 = 28 |
| E = 5 | M = 13 | U = 21 | 4 = 29 |
| F = 6 | N = 14 | V = 22 | 5 = 30 |
| G = 7 | O = 15 | W = 23 | 6 = 31 |
| H = 8 | P = 16 | X = 24 | 7 = 32 |

Options

- STD = Standard
- DRM = DIN Rail Mounting
- MUF = Muffler in End Plates
- DWM = DIN Rail with MUF
- A06 = End Plate with Ports on Left End only, Mounting Plate only on Right End
- D10 = A06 w/DIN Rail Mounting
- D11 = A06 w/Muffler in End Plates
- F05 = A06 w/DIN Rail with MUF
- 14X = External Pilot

Port Type

- L = Push-in
- N = NPTF
- G = G Tap

End Plate Port Size

- 3 = Port type L, N or G
Port 1 = 3/8 Port 3/5 = 1/2
- 2 = Port type L only
Port 1 = 1/4 Port 3/5 = 3/8
- H = Port type L only
Port 1 = 8mm Port 3/5 = 12mm
- K = Port type L only
Port 1 = 10mm Port 3/5 = 14mm

Maximum Solenoid Outputs

TERMINAL STRIP		25 PIN SUB-D	37 PIN SUB-D	26 PIN ROUND	26 + 12 PIN ROUND
AK "F"	AK "T"	AK "J"	AK "M"	AK "R"	AK "S"
16	32	22	32	22	32

* NOTE: Maximum number of valve stations is determined by:

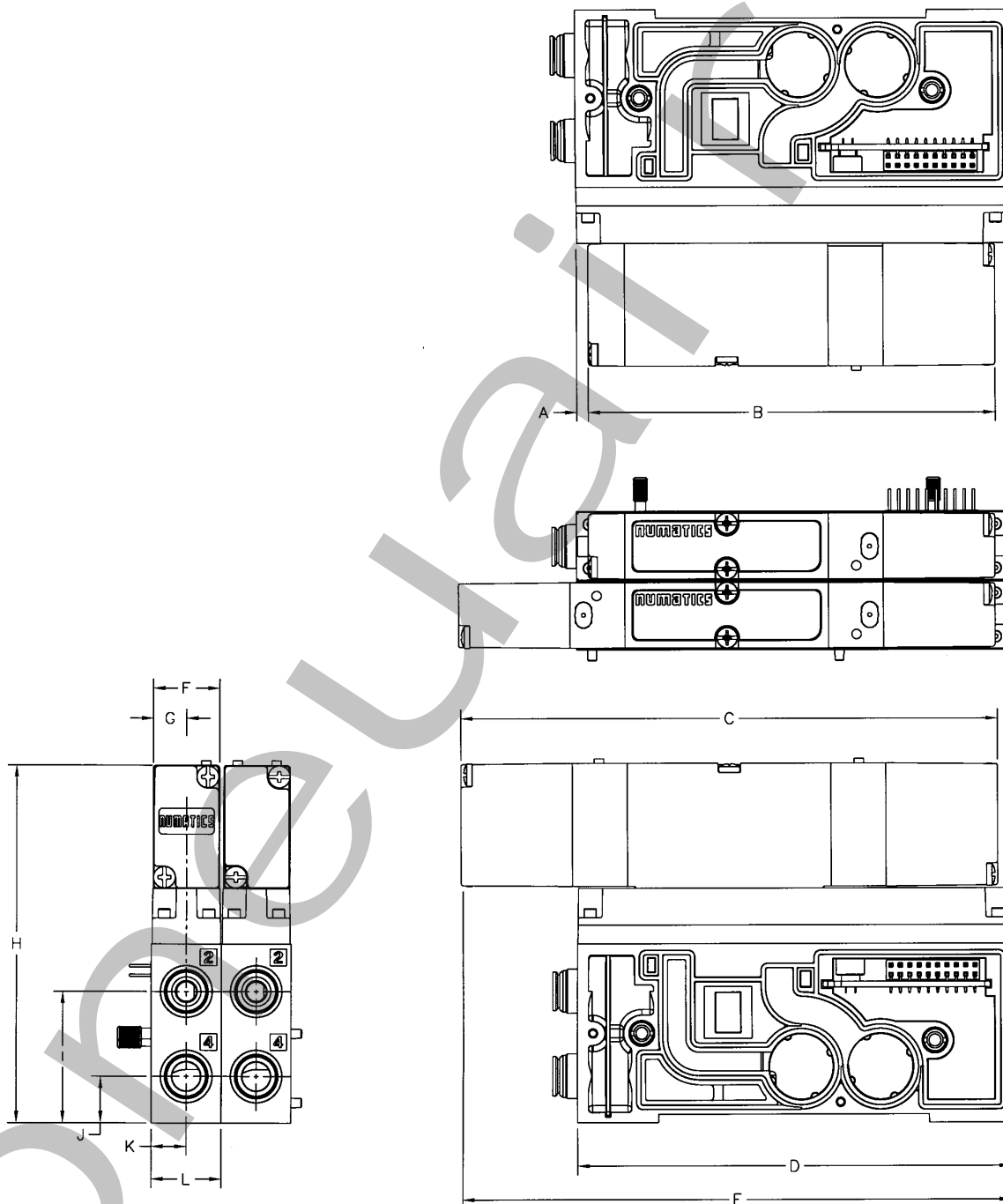
- The electrical connection type.
- The valve type - single solenoid valves up to the maximum solenoid outputs allowed by the electrical connection type (see chart above) or a combination of single and/or double solenoid valves not to exceed the maximum number of solenoid outputs allowed.



ISO 15407-2 Series



Valve on Manifold Block – 18 mm



Dimensions

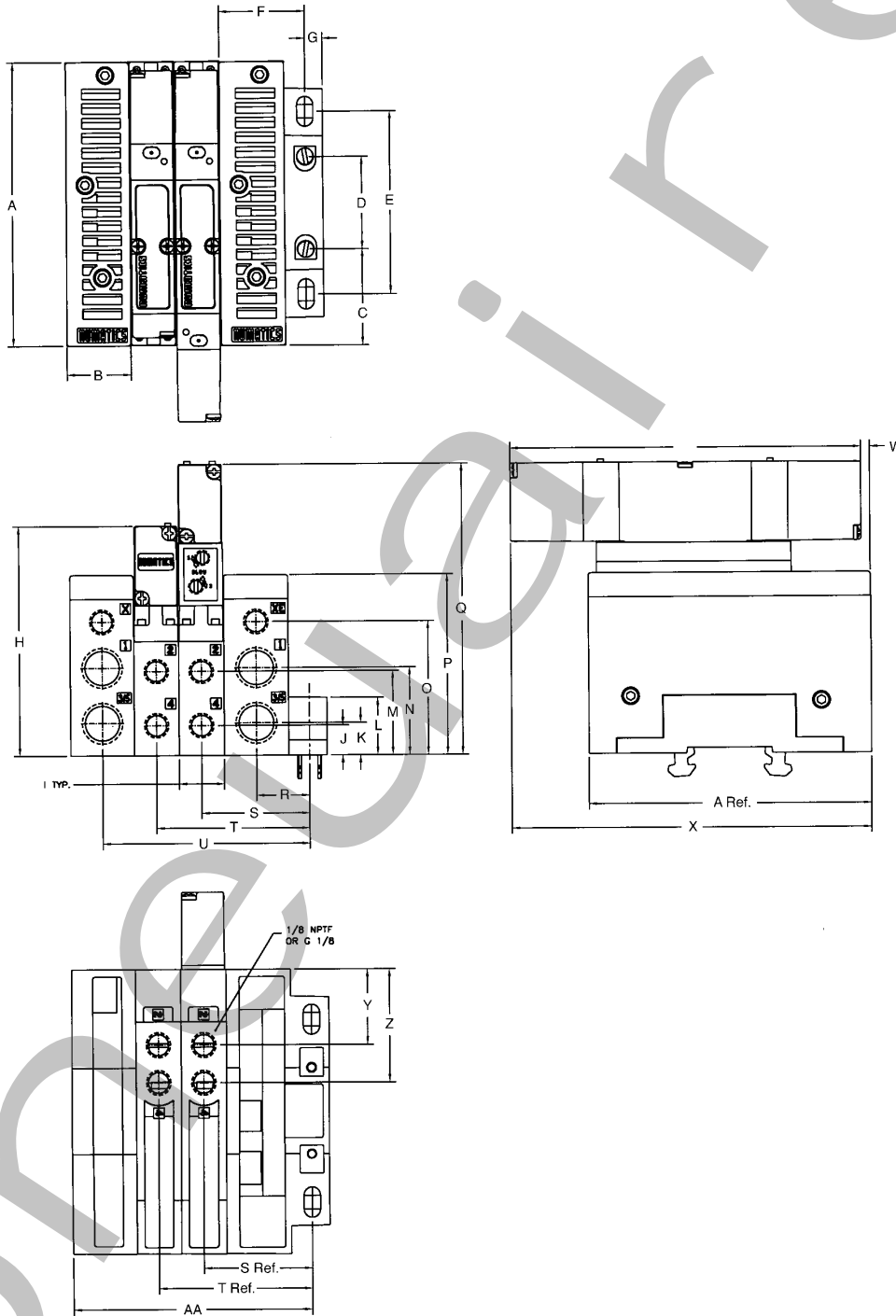
top dimensions = inches
bottom dimensions (in parenthesis) = millimeters

A	B	C	D	E	F	G	H	I	J	K	L
0.13	4.37	5.77	4.65	5.92	0.71	0.35	3.81	1.40	0.75	0.37	0.49
(3.2)	(111.1)	(146.6)	(118.2)	(150.48)	(18.0)	(9.0)	(96.8)	(35.5)	(19.0)	(9.5)	(12.5)



ISO 15407-2 Series

Manifold Assembly – 18 mm



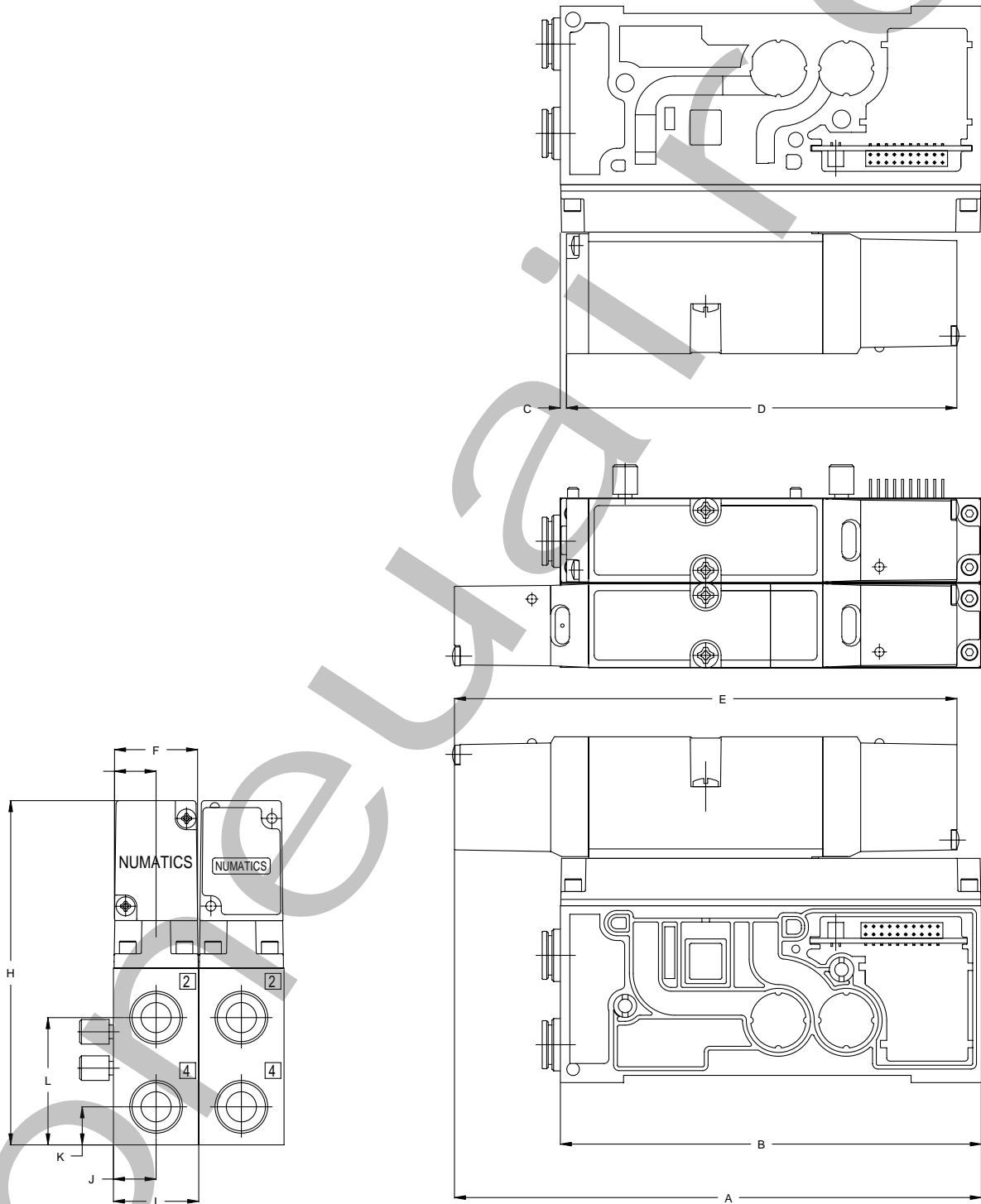
Dimensions

top dimensions = inches
bottom dimensions (in parenthesis) = millimeters

A	B	C	D	E	F	G	H	I	J	K	L	M	N	O	P
4.65 (118.2)	1.06 (27.0)	1.62 (41.2)	1.40 (35.7)	2.87 (73.0)	1.40 (35.7)	0.34 (8.7)	3.81 (96.8)	0.75 (19.0)	0.49 (12.5)	0.53 (13.5)	0.96 (24.4)	1.40 (35.5)	1.46 (37.0)	2.22 (56.5)	2.99 (76.0)
Q	R	S	T	U	V	W	X	Y	Z	AA					
4.83 (122.8)	0.90 (22.5)	1.84 (45.2)	2.62 (64.2)	3.56 (87.2)	5.77 (146.6)	0.15 (3.9)	5.92 (150.48)	1.24 (31.5)	1.85 (47.0)	3.96 (100.7)					



Valve on Manifold Block – 26 mm

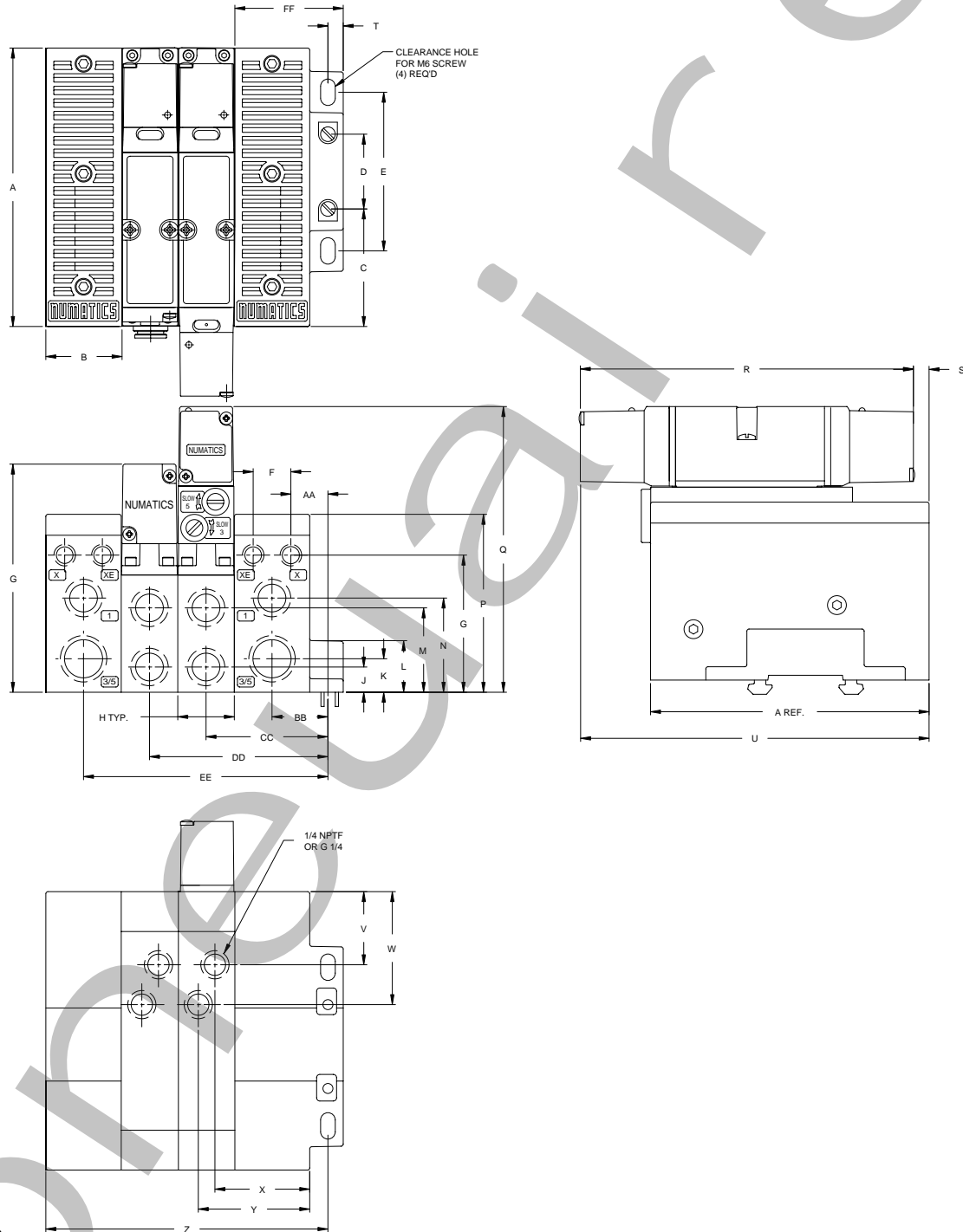


Dimensions

top dimensions = inches
bottom dimensions (in parenthesis) = millimeters

A	B	C	D	E	F	G	H	I	J	K	L
0.07	4.87	6.26	5.25	6.57	1.04	0.52	4.29	1.06	0.55	0.47	1.59
(1.8)	(123.7)	(159.0)	(133.3)	(166.9)	(26.4)	(13.2)	(109.0)	(27.0)	(14.0)	(11.9)	(40.4)

Manifold Assembly – 26 mm



Dimensions

top dimensions = inches
bottom dimensions (in parenthesis) = millimeters

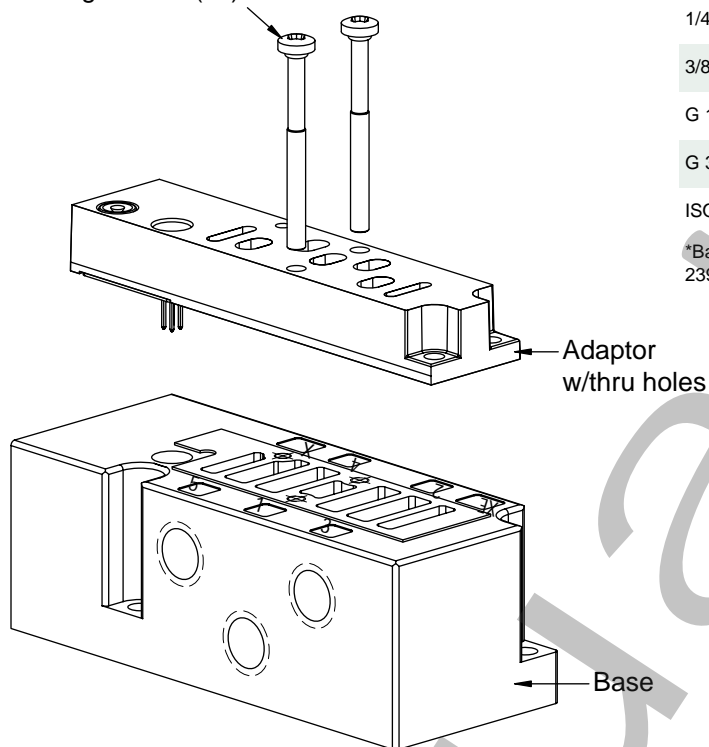
A	B	C	D	E	F	G	H	J	K	L	M	N	P	Q	R
5.25 (133.3)	1.42 (36.0)	2.16 (55.0)	1.50 (38.1)	3.02 (76.8)	0.71 (18.0)	4.29 (109.0)	1.06 (27.0)	0.47 (12.1)	0.63 (16.0)	0.97 (24.5)	1.59 (40.3)	1.77 (45.0)	3.35 (85.0)	5.37 (136.4)	6.26 (159.0)
S	T	U	V	W	X	Y	Z	AA	BB	CC	DD	EE	FF	GG	
0.30 (7.6)	0.29 (7.4)	6.56 (166.6)	1.42 (36.1)	2.12 (53.8)	1.78 (45.2)	2.10 (53.3)	5.30 (134.6)	0.70 (17.8)	1.05 (26.7)	2.29 (58.2)	3.35 (85.1)	4.55 (115.6)	2.05 (52.0)	2.57 (65.4)	



ISO 15407-2 Series

Base Assemblies

Adaptor Assembly 239-2185 includes long screws (2x) Part # 127-983



DESCRIPTION	PART NO.
1/4 NPTF*	203-1204
3/8 NPTF*	203-1205
G 1/4*	203-1206
G 3/8*	203-1207
ISO 15407-2 26 mm Base Adaptor (includes screws)	239-2185

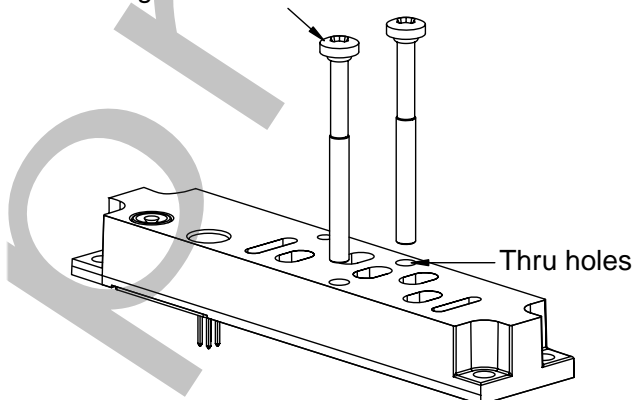
*Base assemblies do not include 15407-2 adaptor plate, 239-2185 must be ordered separately.

NOTE: ISO 15407-2 26 mm Individual Base cannot be used with regulators or speed controls.

ISO 15407-2 Interface Adaptor Assemblies

Numatics ISO 15407-2 Interface Adaptor with thru holes is designed for use with any 18 mm or 26 mm valve or manifold.

Adaptor Assembly includes 2 long screws Part # 127-983



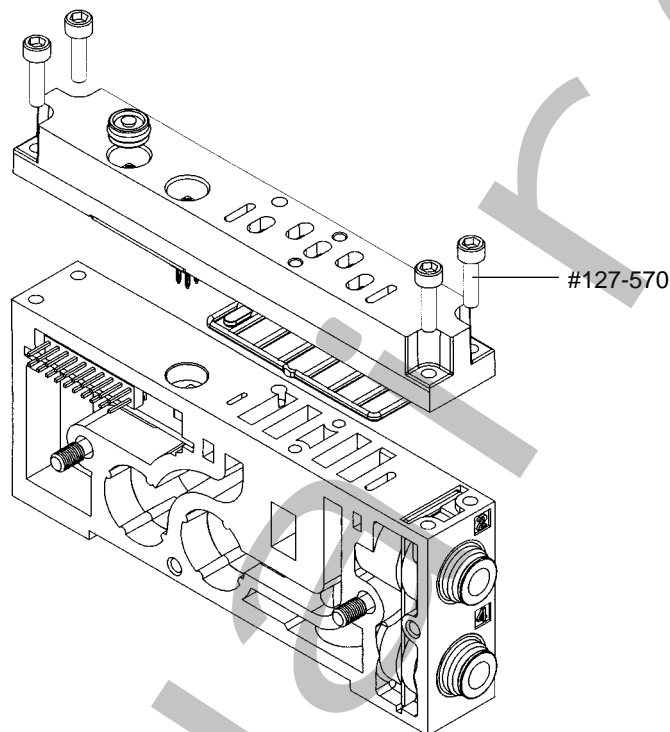
DESCRIPTION	PART NO.
18 mm with Thru Holes	239-2125
26 mm with Thru Holes	239-2124

NOTE: ISO 15407-2 Interface Adaptor Assemblies with thru holes cannot be used with regulators or speed controls.



ISO Series

Manifold Assembly Kits



NOTE: Manifold Assembly kits in the chart below include (4) screws #127-570, 15407-2 adaptor, and manifold.

MANIFOLD ASSEMBLY KITS - 18 mm

Side Port	1/8 NPTF	G 1/8	1/4 Push-in	6 mm Push-in	5/16 (8 mm) Push-in
Bottom Port	1/8 NPTF	G 1/8	1/4 NPTF	G 1/8	G 1/8
Single "Z-Board" [™]	206-1563	206-1564	206-1565	206-1566	206-1567
Double "Z-Board" [™]	206-1568	206-1569	206-1570	206-1571	206-1572
Single "Z-Board" [™] w/Ribbon Cable	206-1573	206-1574	206-1575	206-1576	206-1577
Double "Z-Board" [™] w/Ribbon Cable	206-1578	206-1579	206-1580	206-1581	206-1582

Kits include 15407-2 interface adaptor plate.

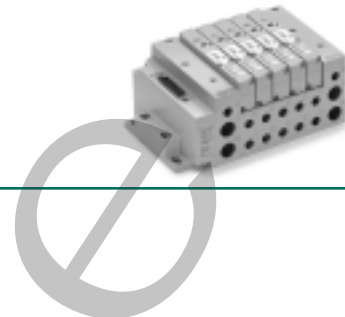
MANIFOLD ASSEMBLY KITS - 26 mm

Side Port	1/4 NPTF	3/8 NPTF	G 1/4	G 3/8	1/4 Push-in
Bottom Port	1/4 NPTF	1/4 NPTF	G 1/4	G 1/4	1/4 NPTF
Single "Z-Board" [™]	206-1531	206-1532	206-1533	206-1534	206-1535
Double "Z-Board" [™]	206-1539	206-1540	206-1541	206-1542	206-1543
Single "Z-Board" [™] w/Ribbon Cable	206-1547	206-1548	206-1549	206-1550	206-1551
Double "Z-Board" [™] w/Ribbon Cable	206-1555	206-1556	206-1557	206-1558	206-1559

MANIFOLD ASSEMBLY KITS - 26 mm continued

Side Port	3/8 Push-in	8 mm Push-in	10 mm Push-in
Bottom Port	1/4 NPTF	G 1/4	G 1/4
Single "Z-Board" [™]	206-1536	206-1537	206-1538
Double "Z-Board" [™]	206-1544	206-1545	206-1546
Single "Z-Board" [™] w/Ribbon Cable	206-1552	206-1553	206-1554
Double "Z-Board" [™] w/Ribbon Cable	206-1560	206-1561	206-1562

Kits include 15407-2 interface adaptor plate.



ISO Series

End Plate Kits
18 mm

PORT TYPE	NPTF			ISO228/1-G			PUSH-IN			PUSH-IN		
PORT	1	3/5	X, XE	1	3/5	X, XE	1	3/5	X, XE	1	3/5	X, XE
PORT SIZE	3/8	3/8	1/8	3/8	3/8	1/8	3/8	3/8	1/4	10mm	10mm	6mm
Kit w/o muffler, w/o DIN Rail	239-1642			239-1646			239-1650			239-1654		
Kit w/o muffler, w/ DIN Rail	239-1641			239-1645			239-1649			239-1653		
Kit w/ muffler, w/o DIN Rail	239-1640			239-1644			239-1648			239-1652		
Kit w/ muffler, w/ DIN Rail	239-1638			239-1643			239-1647			239-1651		

26 mm

PORT TYPE	NPTF			ISO228/1-G			PUSH-IN			PUSH-IN			PUSH-IN			PUSH-IN		
PORT	1	3/5	X, XE	1	3/5	X, XE	1	3/5	X, XE	1	3/5	X, XE	1	3/5	X, XE	1	3/5	X, XE
PORT SIZE	3/8	1/2	1/8	3/8	1/2	1/8	1/4	3/8	1/4	3/8	1/2	1/4	8mm	12mm	6mm	10mm	14mm	6mm
Kit w/o muffler, w/o DIN Rail	239-1236			239-1240			239-1247			239-1248			239-1255			239-1256		
Kit w/o muffler, w/ DIN Rail	239-1235			239-1239			239-1245			239-1246			239-1253			239-1254		
Kit w/ muffler, w/o DIN Rail	239-1234			239-1238			239-1243			239-1244			239-1251			239-1252		
Kit w/ muffler, w/ DIN Rail	239-1233			239-1237			239-1241			239-1242			239-1249			239-1250		

PORT TYPE	NPTF			ISO228/1-G			PUSH-IN			PUSH-IN			PUSH-IN			PUSH-IN		
PORT	1	3/5	X, XE	1	3/5	X, XE	1	3/5	X, XE	1	3/5	X, XE	1	3/5	X, XE	1	3/5	X, XE
PORT SIZE	3/8	1/2	1/8	3/8	1/2	1/8	1/4	3/8	1/4	3/8	1/2	1/4	8mm	12mm	6mm	10mm	14mm	6mm
LH Ports Only Kit w/o muffler, w/o DIN Rail	239-1688			239-1692			239-1699			239-1700			239-1707			239-1708		
LH Ports Only Kit w/o muffler, w/ DIN Rail	239-1687			239-1691			239-1697			239-1698			239-1705			239-1706		
LH Ports Only Kit w/ muffler, w/o DIN Rail	239-1686			239-1690			239-1695			239-1696			239-1703			239-1704		
LH Ports Only Kit w/ muffler, w/ DIN Rail	239-1685			239-1689			239-1693			239-1694			239-1701			239-1702		

NOTE: For detailed part list and drawings, see 2005/2012 Section.

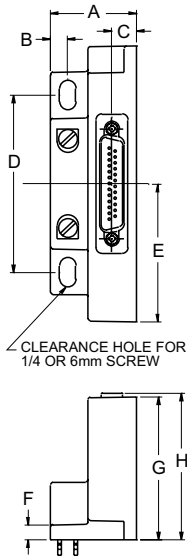
For Accessories, see 2005/2012 Section.



ISO Series

Dimensional Drawings Electrical Interface

25 Pin Sub-D

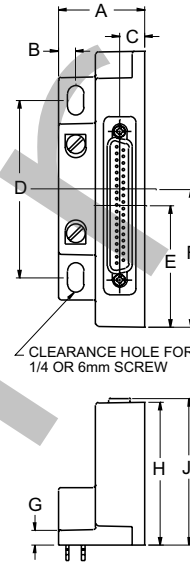


Dimensions

top dimensions = inches
bottom dimensions (in parenthesis) = millimeters

A	B	C	D	E	F	G	H
1.45	0.29	0.42	2.98	2.32	0.25	2.40	2.47
(36.8)	(7.4)	(10.7)	(75.7)	(58.9)	(6.3)	(61.0)	(62.7)

37 Pin Sub-D

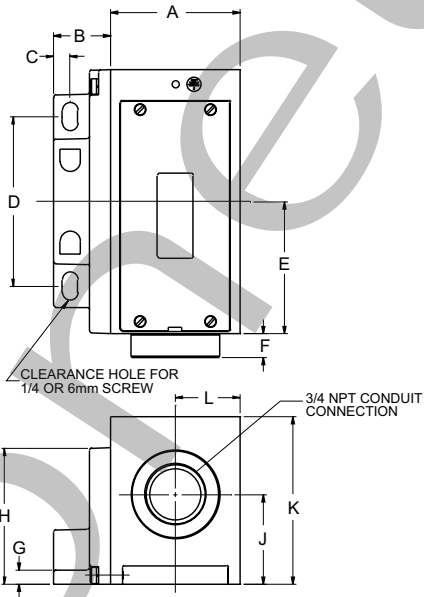


Dimensions

top dimensions = inches
bottom dimensions (in parenthesis) = millimeters

A	B	C	D	E	F	G	H	J
1.45	0.29	0.42	2.98	2.04	2.32	0.25	2.40	2.47
(36.8)	(7.4)	(10.7)	(75.7)	(51.8)	(58.9)	(6.3)	(61.0)	(62.7)

Terminal Strip 1-16 & 1-32

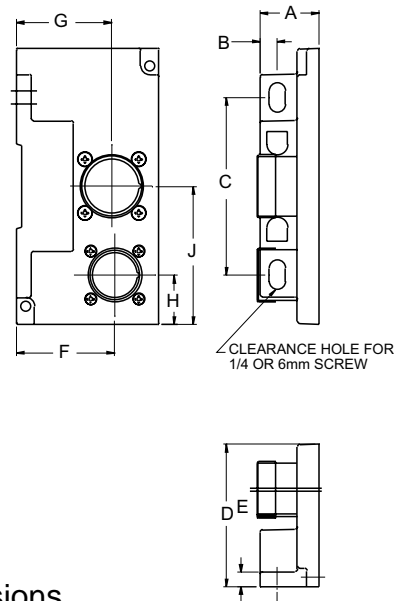


Dimensions

top dimensions = inches
bottom dimensions (in parenthesis) = millimeters

A	B	C	D	E	F	G	H	J	K	L
2.28	1.00	0.29	2.98	2.32	0.43	0.25	2.40	1.58	2.95	1.14
(57.9)	(25.4)	(7.4)	(75.7)	(58.9)	(10.9)	(6.3)	(61.0)	(40.1)	(74.9)	(29.0)

26 Pin & 26 + 12 Pin Round Connector



Dimensions

top dimensions = inches
bottom dimensions (in parenthesis) = millimeters

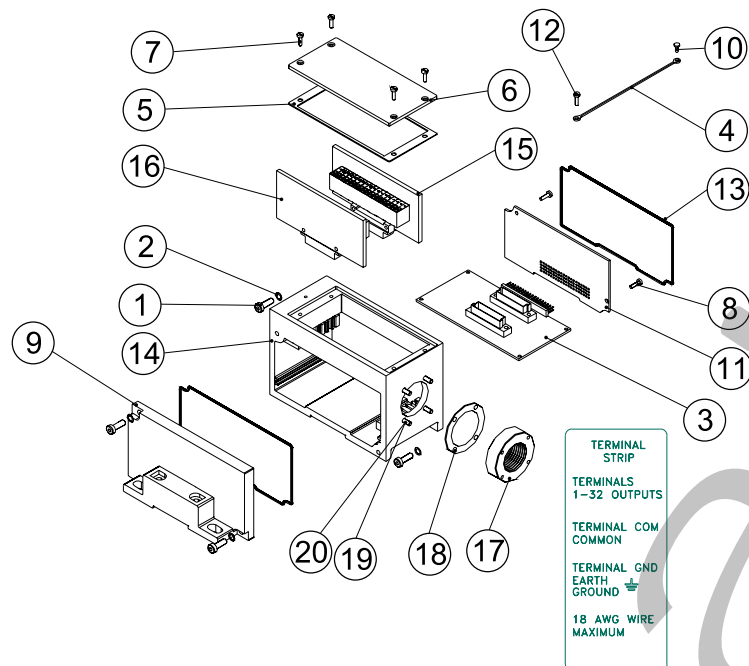
A	B	C	D	E	F	G	H	J
1.00	0.29	2.98	2.40	0.25	1.66	1.61	0.82	2.32
(25.4)	(7.4)	(75.7)	(61.0)	(6.3)	(42.2)	(40.9)	(20.8)	(58.9)



ISO Series



1-16 & 1-32 Terminal Strip Kit



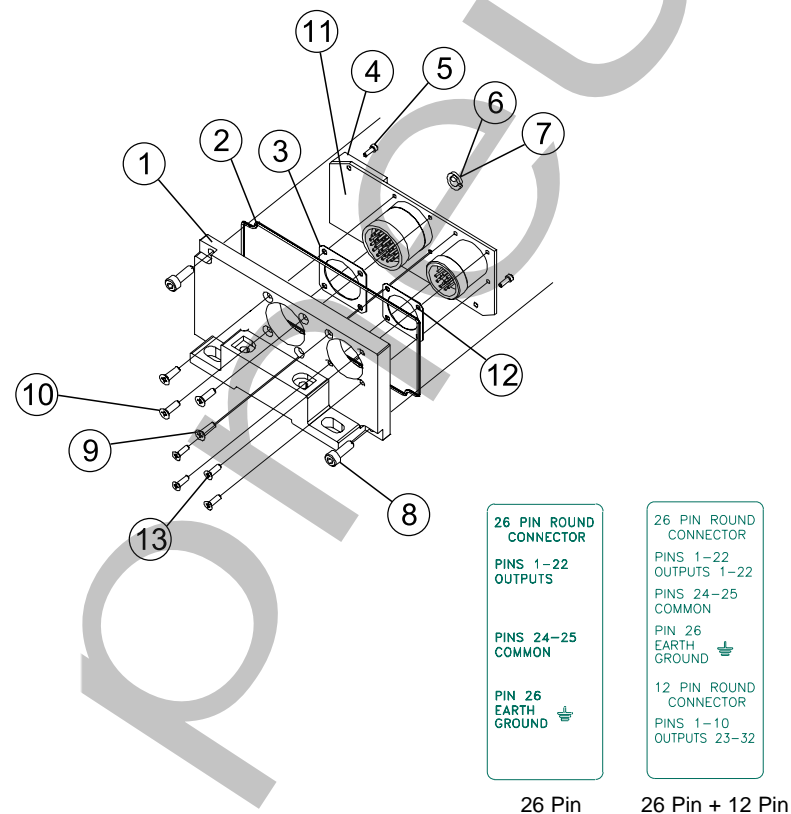
NOTE: External fusing or output protection recommended.

TERMINAL STRIP HOUSING KITS	PART NO.
1-16 Solenoid	239-1229
1-32 Solenoid	239-1231

Parts List

DET. NO.	NO. REQ'D	PART NAME	PART NO.
1	4	Screw	127-697
2	4	Lockwasher	128-188
3	1	Backplane Board	256-618
4	1	Cover Strap	125-772
5	1	Gasket	113-533
6	1	Cover	105-405
7	4	Screw	127-852
8	1	Screw	127-318
9	1	DIN Rail Cover PT	105-403
10	1	Screw	127-180
11	1	Converter BRD	256-645
12	2	Screw	127-794
13	2	Gasket	113-531
14	1	Housing	125-844
15	1	Terminal Strip (1-16)	256-617
16	1	Terminal Strip (17-32)	256-619
17	1	Adapter	119-659
18	1	Gasket	113-542
19	4	Screw	127-879
20	4	Lockwasher	128-192

26 Pin & 26 + 12 Pin Round Connector Kit



ROUND CONNECTOR KITS	PART NO.
26 Pin	239-1184
26 + 12 Pin	239-1376

Parts List

DET. NO.	NO. REQ'D	PART NAME	PART NO.
1	1	Cover (26 Pin only)	105-408
1	1	Cover (26 +12 Pin only)	105-421
2	1	Gasket	113-531
3	1	Gasket	113-353
4	1	26 PCB Assembly	256-624
4	1	26 + 12 PCB Assembly	256-688
5	2	Screw	127-875
6	1	Lockwasher	128-294
7	1	Hex Nut	128-293
8	2	Screw Assembly	127-396
9	3	Screw	127-810
10	1	Screw	127-770
11	1	Shield (26 + 12 Pin only)	140-759
12	1	Gasket (26 + 12 Pin only)	140-759
13	4	Screw (26 + 12 Pin only)	127-811

12 POLE ROUND FEMALE CABLE 20 AWG-UNSHIELDED USED WITH 26 + 12 POLE MANIFOLDS (AKS)

230-960 - Connector w/o cable - solder cup version
230-879 - Connector w/o cable - crimp contact version

- 2 Meter - CC1202MB00000000
- 5 Meter - CC1205MB00000000
- 10 Meter - CC1210MB00000000

26 POLE ROUND FEMALE CABLE 20 AWG-UNSHIELDED USED WITH 26 + 12 & 26 POLE MANIFOLDS (AKR) & (AKS)

230-1070 - Connector w/o cable - solder cup version
230-742 - Connector w/o cable - crimp contact version

- 2 Meter - CC2602MB00000000
- 5 Meter - CC2605MB00000000
- 10 Meter - CC2610MB00000000

NOTE: External fusing or output protection recommended.



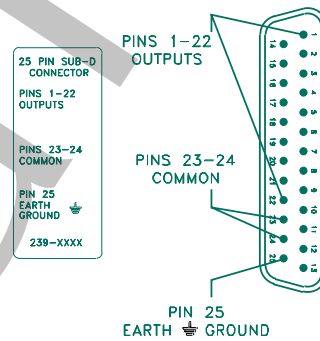
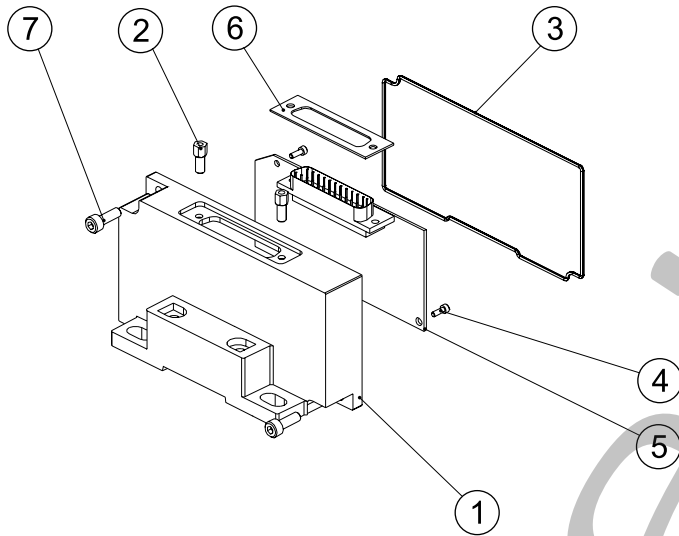
ISO Series

25 Pin Sub-D Connector Kit

239-1174

Parts List

DET. NO.	NO. REQ'D	PART NAME	PART NO.
1	1	Housing	105-401
2	2	Hex Screw	127-825
3	1	Gasket	113-531
4	2	Screw	127-318
5	1	PBC Assembly	256-607
6	1	Gasket	113-507
7	2	Screw Assembly	127-396



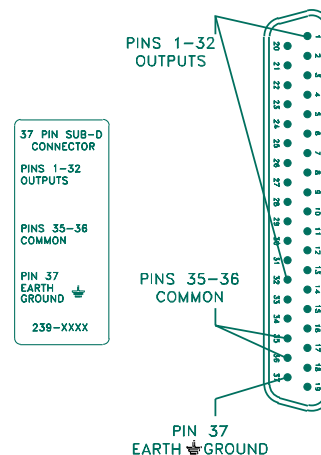
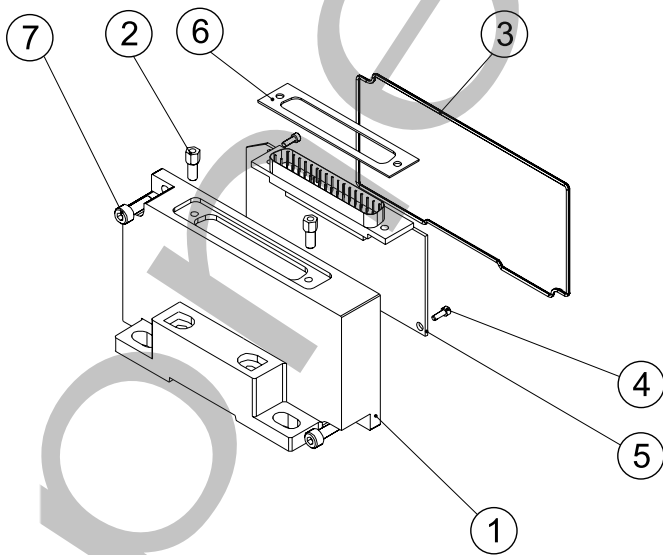
NOTE: External fusing or output protection recommended.

37 Pin Sub-D Connector Kit

239-1180

Parts List

DET. NO.	NO. REQ'D	PART NAME	PART NO.
1	1	Housing	105-401
2	2	Hex Screw	127-825
3	1	Gasket	113-531
4	2	Screw	127-318
5	1	PBC Assembly	256-608
6	1	Gasket	113-530
7	2	Screw Assembly	127-396



NOTE: External fusing or output protection recommended.