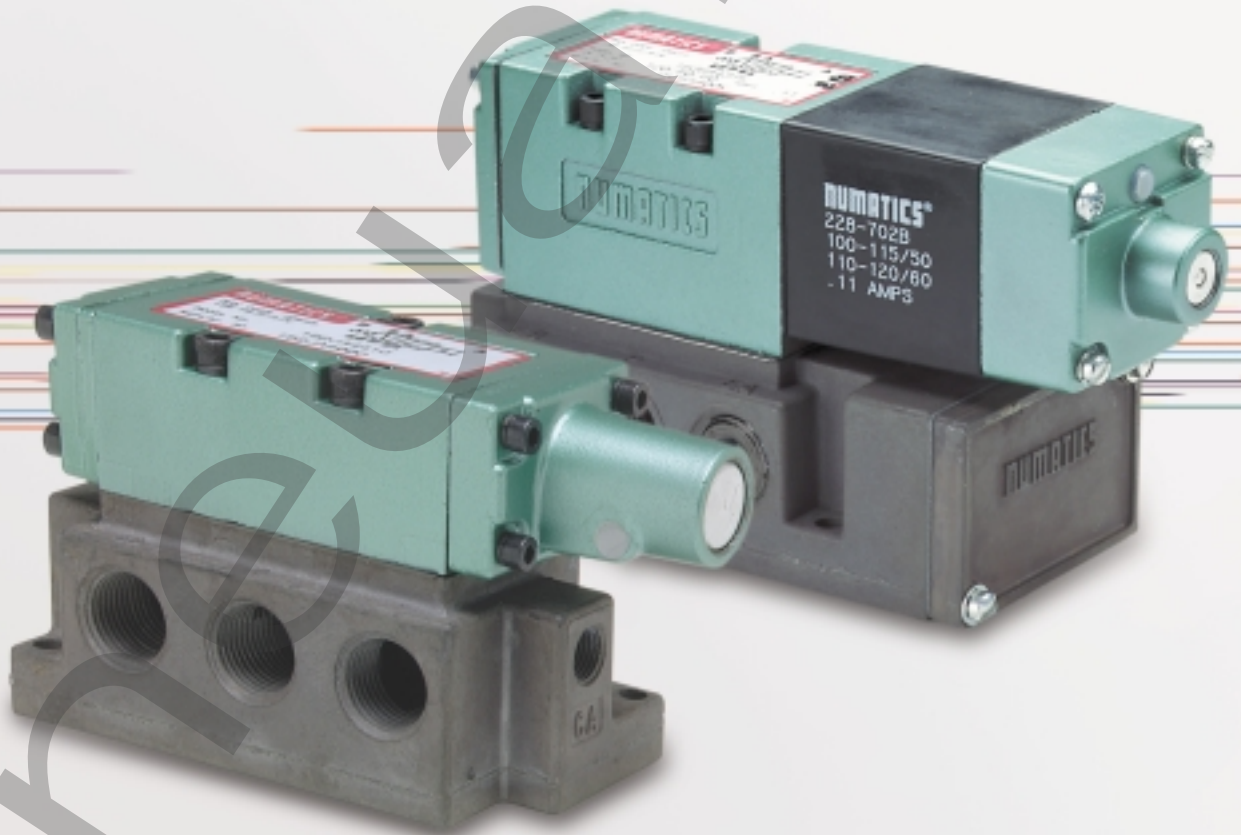


ORDER
ONLINE



Valves



Mark 15 and PA 15 Series
Direct Solenoid or Air Pilot Valves

We're everywhere you need us to be!



Mark 15 & PA 15 Series

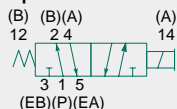
Technical and Operating Data	3-20
How to Order	3-4
Valve on Individual Base	5-6
Manifold Assembly	7-8
Sandwich Pressure Regulators	9-10
Sandwich Pressure Regulator Dimensions	11
Check Assembly Kits	12
Regulator Service Kit	12
Valve, Speed Control, and Regulator Plug-in Assembly-Mark 15	13
End Plate Kits	13
Blank Station Plate Kit	14
Blocking Disc Kit	14
Adaptor Kits with End Plates	14
Speed Control Kits	14
Base Assembly Kits	15
Flexiblok Manifold Kits	16
Service Kits and Parts	17
Solenoid Capsule Assemblies	18-19
Plug Assemblies	20



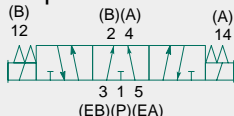
Mark 15 & PA 15 Series



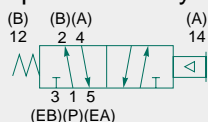
single solenoid
2 position 4-way



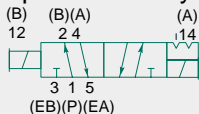
double solenoid
3 position 4-way
open center



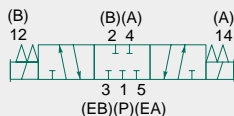
single air pilot
2 position 4-way



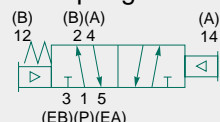
double solenoid
2 position 4-way



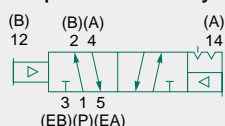
double solenoid
3 position 4-way
closed center



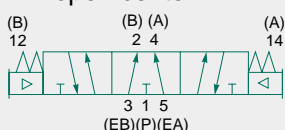
double air pilot
2 position 4-way
with spring offset



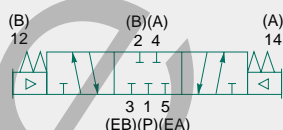
double air pilot
2 position 4-way



double air pilot
3 position 4-way
open center



double air pilot
3 position 4-way
closed center



5 Ported, 2 and 3 position, 4-way, Spool & Sleeve
Cv: 1.5

- Direct solenoid or air pilot actuated
- Plug-in solenoid with indicator light
- Unlubricated or lubricated service
- Integral speed control available
- Integral regulators available
- NEMA 4 / IP65
- Body to base plug-in



Technical Data

VALVE DATA	ENGLISH		METRIC MARK 15 ONLY	
Cv	1/4 NPTF = 1.4	3/8 NTPF = 1.5	1/4 G Tap = 1.4	3/8 G Tap = 1.5
Flow Capacity	65 SCFM	69 SCFM	1379 NI/m	1477 NI/m
Operating Pressure Range	28" Hg. Vacuum to 150 PSIG		Vacuum to 10 Bar	
Temperature Range (ambient)	-10°F to +115°F		-23°C to +46°C	
Pilot Pressure Range (PA15)	2-position, single, spring return	20 to 125 PSIG		
	2-position, double, detented	15 to 125 PSIG		
	all 3-position models	20 to 125 PSIG		



Mark 15 & PA 15 Series

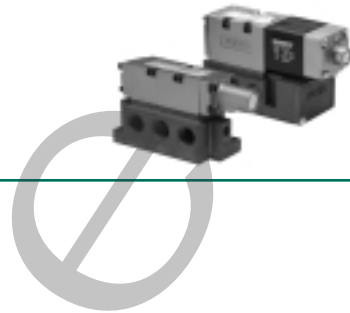
Operating Data

ALL SOLENOIDS ARE CONTINUOUS DUTY RATED		12 VDC	24 VDC	24 VAC 50 Hz.	24 VAC 60 Hz.	115 VAC 50 Hz.	120 VAC 60 Hz.	230 VAC 50 Hz.	240 VAC 60 Hz.
Power (Watts)		6.0	6.0	N/A	N/A	N/A	N/A	N/A	N/A
Holding Current (Amps.)		0.500	0.250	0.590	0.420	0.110	0.090	0.070	0.050
Inrush Current (Amps.)		N/A	N/A	2.850	2.530	0.630	0.580	0.310	0.290
Energize in seconds	2-Position, Single, Spring Return	0.038	0.034	0.010	0.010	0.010	0.010	0.010	0.010
	2-Position, Double, Detented	0.035	0.035	0.010	0.010	0.010	0.010	0.010	0.010
	3-Position, Spring Centered	0.040	0.040	0.010	0.010	0.010	0.010	0.010	0.010
De-energize in seconds	2-Position, Single, Spring Return	0.016	0.011	0.015	0.015	0.015	0.015	0.015	0.015
	2-Position, Double, Detented	N/A	N/A	N/A	N/A	N/A	N/A	N/A	N/A
	3-Position, Spring Centered	0.010	0.010	0.012	0.012	0.012	0.012	0.012	0.012

Prohibited



Mark 15 & PA 15 Series



How to Order
Valves

153 SA 4 15 K 0 000 30

Valve Series & Port Size

- 152* = 1/4
- 153 = 3/8
- *Valve unit only.

Valve Type

- SA = Single Solenoid, Spring Return w/Flush Non-locking Override
- SS = Double Direct Solenoid w/Flush Non-locking Override (Standard)
- JA = Single Air Pilot, Spring Return w/Flush Non-Locking Override (Std.)
- JJ = Double Air Pilot w/Flush Non-Locking Override
- JK = Double Air Pilot, Spring Return w/Flush Non-Locking Override

Function

- 4 = 2 Position, 4-Way
- 5 = 3 Position, 4-Way Open Center
- 6 = 3 Position, 4-Way Closed Center

Mounting

- 00 = Valve Unit Only
- 01 = Valve Unit Only w/Speed Control
- 1B = Alternate Outlet
- 3A = Individual Base, Side Ports, Individual Exhaust (Mark 15 only)
- 3B = Plug-In Base, Side and Bottom Ports, Individual Exhaust
- 3C = 3A w/Speed Control (Mark 15 only)
- 3D = 3B w/Speed Control
- 15 = Manifold Block w/Side and Bottom Cylinder Ports
- 16 = Auxiliary Inlet
- 18 = Alternate Outlet & Auxiliary Inlet
- 25 = 15 w/Speed Control
- 31 = Plug-In Base, Side Ports, Common Exhaust (Mark 15 only)
- 32 = Plug-In Base, Side and Bottom Ports, Common Exhaust
- 35 = 31 w/Speed Control (Mark 15 only)
- 36 = 32 w/Speed Control
- 41 = Individual Base, Side Ports, Individual Exhaust (PA 15 only)
- 43 = Standard Base, Side and Bottom Ports, Individual Exhaust (PA 15 only)
- 44 = Individual Base, Side Ports Common Exhaust (PA 15 only)
- 46 = 41 w/Speed Control (PA 15 only)
- 48 = 43 w/Speed Control (PA 15 only)
- 49 = 44 w/Speed Control (PA 15 only)
- 54 = Standard Base, Side and Bottom Ports, Common Exhaust (PA 15 only)
- 55 = 54 w/Speed Control (PA 15 only)

Voltage

- 00 = No Applicable (use with PA 15)
- 20 = 24/50-60 VAC
- 30 = 110-120/50-60 VAC
- 40 = 220-240/50-60 VAC
- 60 = 12 VDC
- 61 = 24 VDC

Options

- 11B = Flush Locking Override
- 11Z = Extended Locking Override
- 13A = 48" Leads (Mark 15 only)
- 16T = Bottom P Ports
- 17N = DC Solenoid w/Surge Supression Diode (Mark 15 only)
- 19M = Terminal Block in Conduit Area (Mark 15 only)
- 46T = Zinc Plated T Armature (Mark 15 only)

Port Type

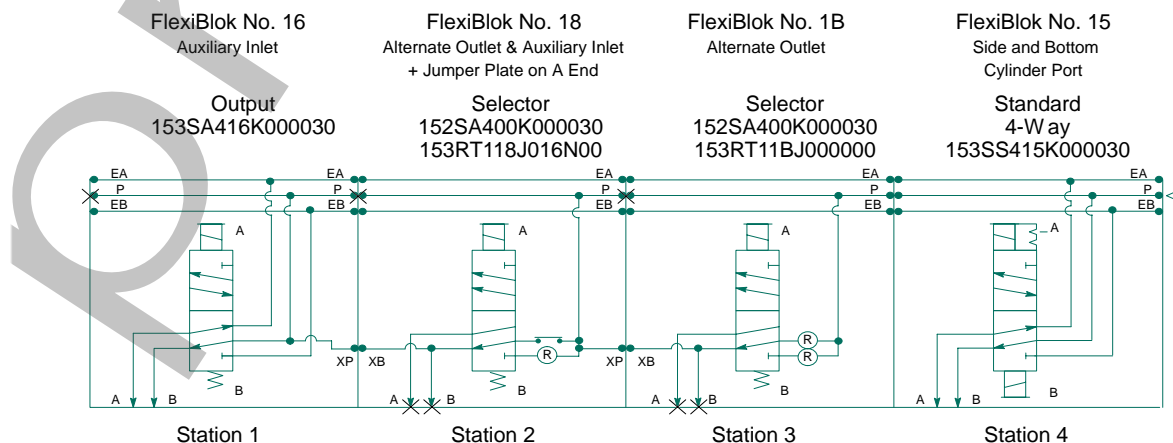
- 0 = NPTF
- G = G Tap

Wiring Option

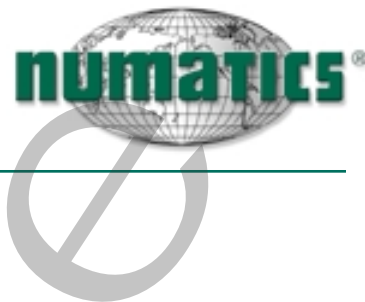
- 2 = DIN AC w/o Light (Mark 15 only)
- 4 = DIN DC w/o Light (Mark 15 only)
- 6 = DIN AC w/Light (Mark 15 only)
- K = Plug-in AC w/Light (Mark 15 only)
- M = Plug-in DC w/Light (Mark 15 only)
- O = Air Pilot (PA 15 only)

Flexiblok Diagrams

Sample diagram with regulators Mark 15 3-pressure selector Flexiblok with output valve and separate 4-way (3/8 NPTF).



Blocking discs must be installed in "P" gallery, as shown.



Mark 15 & PA 15 Series

How to Order continued

Regulators

153 RS 1 15 J 0 000 00

Valve Series & Port Size

152* = 1/4
153 = 3/8
*Regulator unit only.

Regulator Type

RS = Single Pressure to Port 1 (P)
RD = Dual Pressure to Ports 3 (EB) & 5 (EA)
RC = Dual Pressure w/Non-Relieving Checks
RQ = Dual Pressure w/Relieving Checks
RE = External Jumper Plate, Dual Pressure
RT = 2 Pressure Selector

Pressure Range

1 = 10-130 PSIG (0.7-9 bar)
3 = 3-30 PSIG (0.2-2 bar)
4 = 5-60 PSIG (0.3-4.1 bar)

Mounting

00 = Regulator Unit Only
1B = Alternate Outlet
3A = Individual Base, Side Ports, Individual Exhaust (Mark 15 only)
3B = Plug-In Base, Side and Bottom Ports, Individual Exhaust
3C = 3A w/Speed Control (Mark 15 only)
3D = 3B w/Speed Control
15 = Manifold Block w/Side and Bottom Cylinder Ports
16 = Auxiliary Inlet
18 = Alternate Outlet & Auxiliary Inlet
25 = 15 w/Speed Control
31 = Plug-In Base, Side Ports, Common Exhaust (Mark 15 only)
32 = Plug-In Base, Side and Bottom Ports, Common Exhaust
35 = 31 w/Speed Control (Mark 15 only)
36 = 32 w/Speed Control
41 = Individual Base, Side Ports, Individual Exhaust (PA 15 only)
43 = Standard Base, Side and Bottom Ports, Individual Exhaust (PA 15 only)
44 = Individual Base, Side Ports Common Exhaust (PA 15 only)
46 = 41 w/Speed Control (PA 15 only)
48 = 43 w/Speed Control (PA 15 only)
49 = 44 w/Speed Control (PA 15 only)
54 = Standard Base, Side and Bottom Ports, Common Exhaust (PA 15 only)
55 = 54 w/Speed Control (PA 15 only)

Options

12H = Less Gauge
16N = Jumper on 14 (A) end
16P = Jumper on 12 (B) end
16T = Bottom P Port
16W = Straight Gauge Fitting
27J = 12H & 16W
27K = 12H & 16P

Port Type

0 = NPTF
G = G tap

Wiring Option

J = Plug-in Receptacle Assembly (Mark 15 only)
O = Non-Plug-In (must be used when ordering valve w/speed control or PA 15)

Manifold Assembly

AK 0 J H 0000 4 N STD

Electrical/Electronics

Type & Location

0 = Standard
V = For Fieldbus Electronics, See Electronics Section for ordering information (Mark 15 only).

Valve Line

J = Mark 15 Series or PA 15 Series
H = Mark 8
M = Mark 55 Compact

Number of Valve Stations

A = 1 E = 5 I = 9 M = 13
B = 2 F = 6 J = 10 N = 14
C = 3 G = 7 K = 11 O = 15
D = 4 H = 8 L = 12 P = 16

Example order:

List in order, left to right, facing cylinder ports

Assembly Kit	AK0JF00004NSTD
Station 1	153SA415M000061
Station 2	153SS425M000061
Station 3 & 4	152SA415M000061
Station 5	152SS615M000061
Station 6	153SS425M000061
	ASSEMBLED

Options

STD = Standard

Port Type

N = NPTF
G = G Tap/Metric Conduit (Mark 15 only)
C = G Tap/NPTF Conduit (Mark 15 only)

End Plate Port Size

4 = 1/2
X = Multiple Valve Lines

Valve Line and Number of Stations

Example order (multiple valve lines):

List in order, left to right, facing cylinder ports

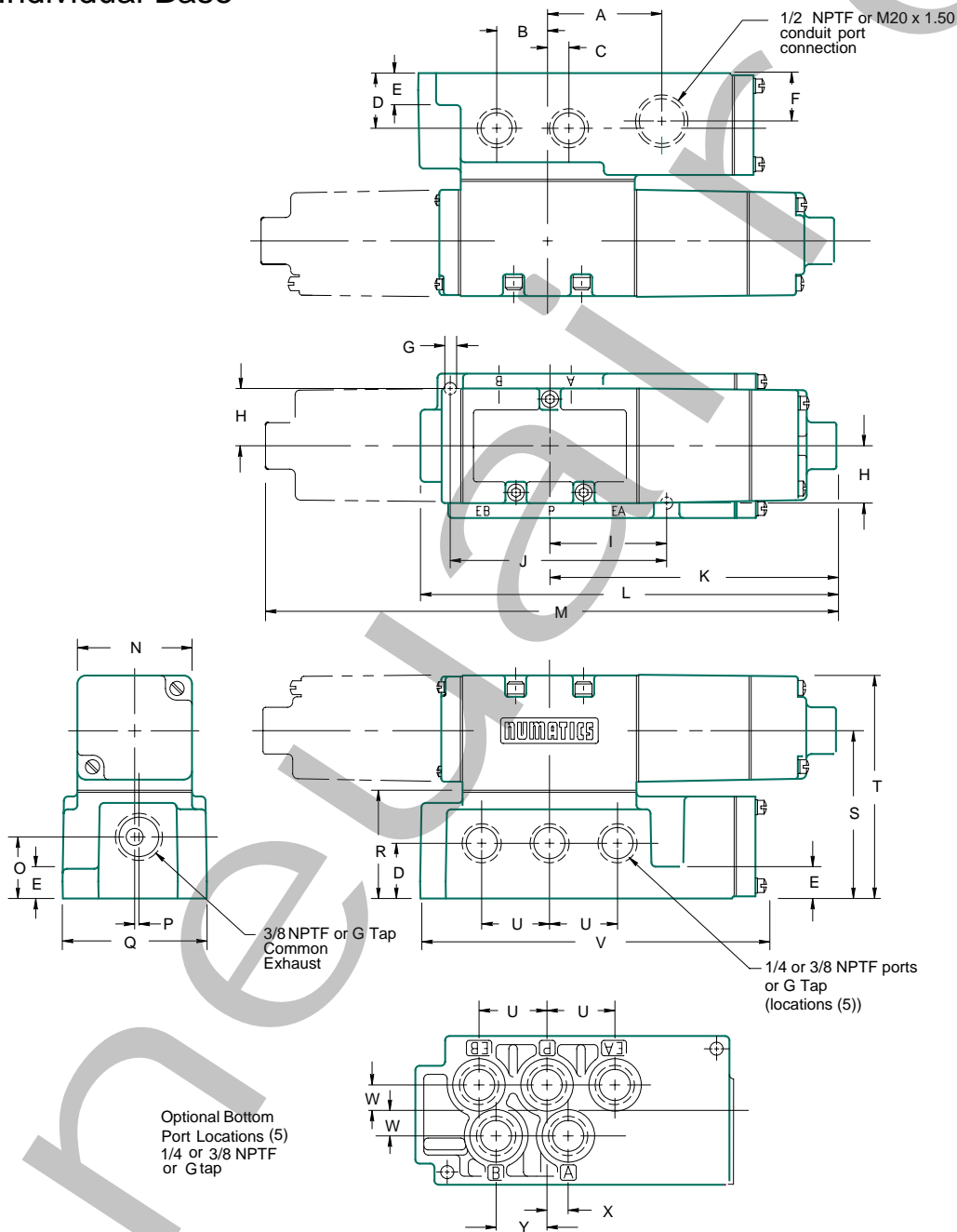
Assembly Kit	AK0MBJD00XNSTD
Station 1	554SS42AK046T30
Station 2	554SS42AK046T30
Station 3 & 4	153SS415K016T30
Station 5	152SA415K000030
Station 6	152SS425K011Z30
	ASSEMBLED



Mark 15 & PA 15 Series



Mark 15
Valve on Individual Base



Dimensions

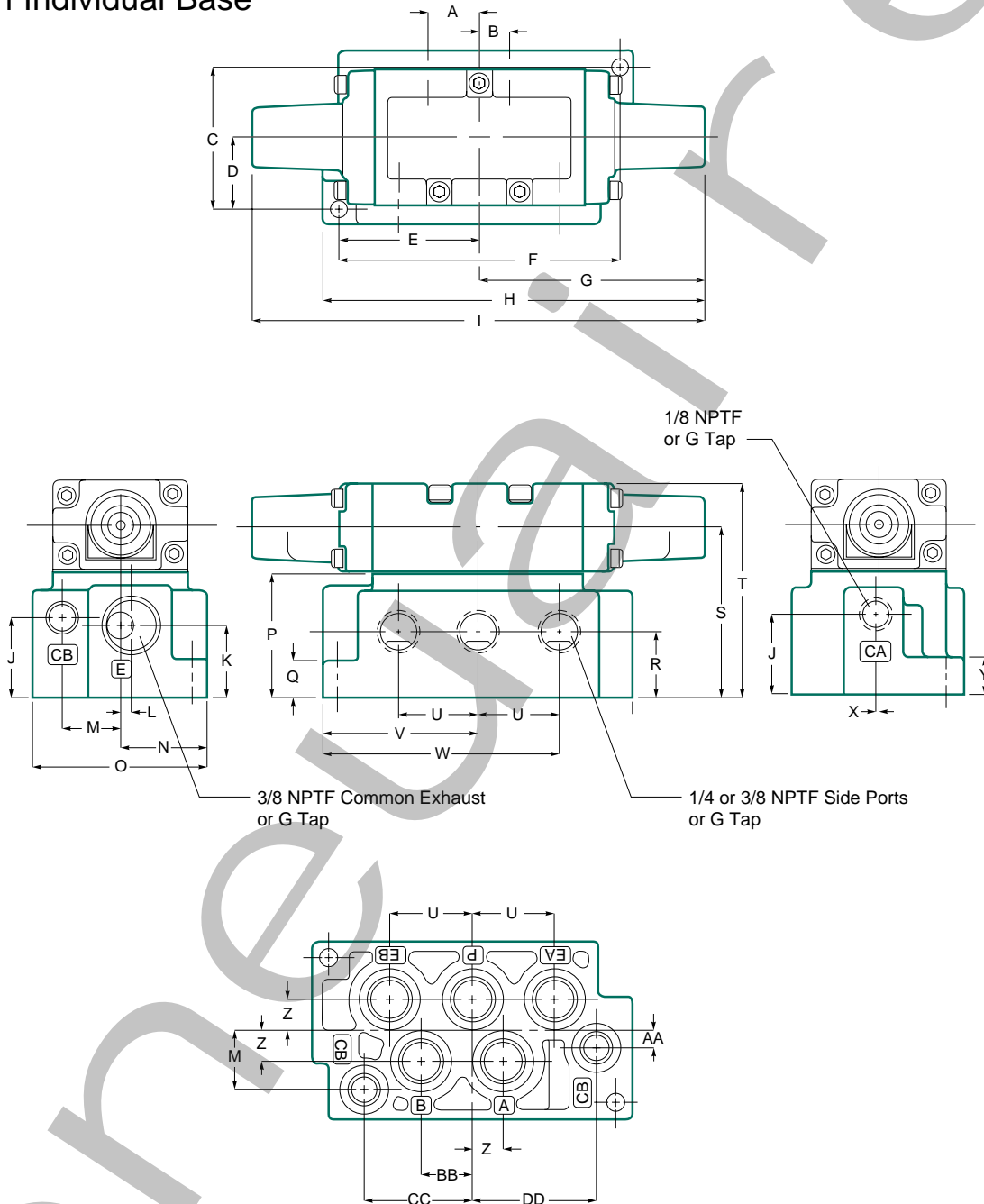
top dimensions = inches and bottom dimensions (in parenthesis) = millimeters

A	B	C	D	E	F	G	H	I	J	K (AC)	K (DC)	L (AC)	L (DC)	M (AC)
1.72 (43.7)	0.78 (19.8)	0.31 (7.9)	0.84 (21.3)	0.47 (11.9)	0.72 (18.3)	0.20 (5.1)	0.88 (22.4)	1.75 (44.5)	3.25 (82.6)	4.43 (112.5)	4.95 (125.7)	6.34 (161.0)	6.86 (174.2)	8.86 (225.0)
M (DC)	N	O	P	Q	R	S	T	U	V	W	X	Y		
9.90 (251.5)	1.70 (44.7)	0.91 (23.0)	0.06 (1.5)	2.16 (54.9)	1.56 (39.6)	2.47 (62.7)	3.30 (83.8)	1.00 (25.4)	5.11 (130.0)	0.38 (9.6)	0.31 (7.9)	0.78 (19.8)		



Mark 15 & PA 15 Series

PA 15
Valve on Individual Base



Dimensions

top dimensions = inches and bottom dimensions (in parenthesis) = millimeters

A	B	C	D	E	F	G	H	I	J	K	L	M	N	O
0.63 (15.9)	0.38 (9.52)	1.75 (44.4)	0.88 (22.2)	1.75 (44.4)	3.50 (88.9)	2.81 (71.4)	4.75 (120.6)	5.62 (142.7)	1.00 (25.4)	0.91 (23.0)	0.13 (3.2)	0.72 (18.2)	1.08 (27.4)	2.16 (54.9)
P	Q	R	S	T	U	V	W	X	Y	Z	AA	BB	CC	DD
1.56 (39.6)	0.47 (11.9)	0.84 (21.3)	2.15 (54.6)	2.69 (68.3)	1.00 (25.4)	1.94 (49.3)	3.88 (98.6)	0.03 (0.8)	0.47 (11.9)	0.38 (9.5)	0.22 (5.5)	0.63 (15.9)	1.31 (33.2)	1.50 (38.1)

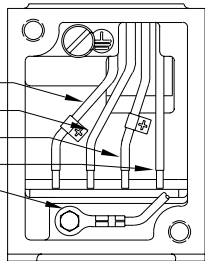


Mark 15 & PA 15 Series

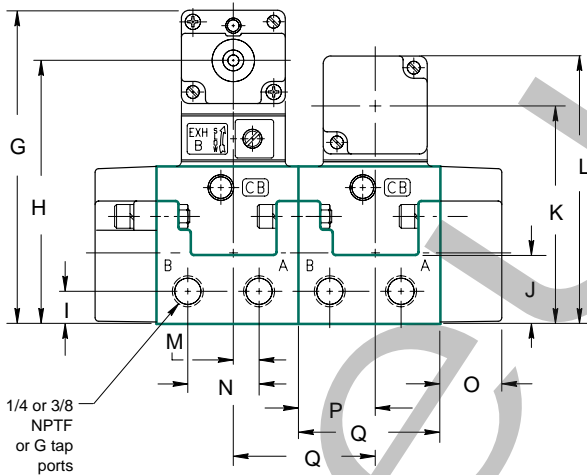
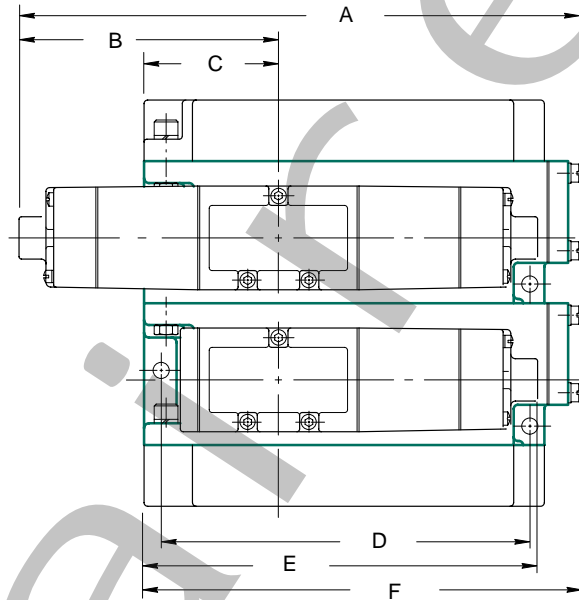


Mark 15
Manifold Assembly

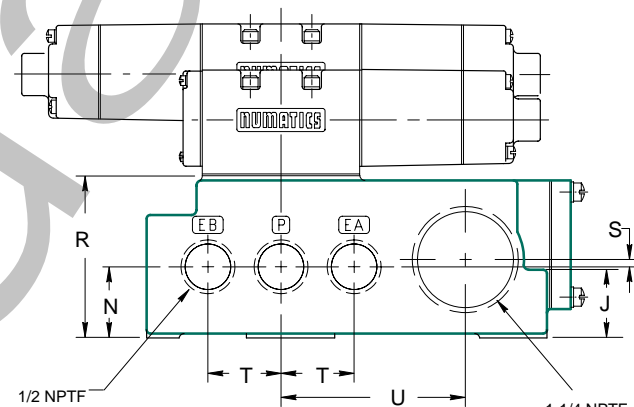
- Brown - Solenoid B (+)
- Brown - Solenoid B (-)
- Orange - Solenoid A (+)
- Orange - Solenoid A (-)
- Green/Yellow - Ground



View Shown with Conduit Cover Removed

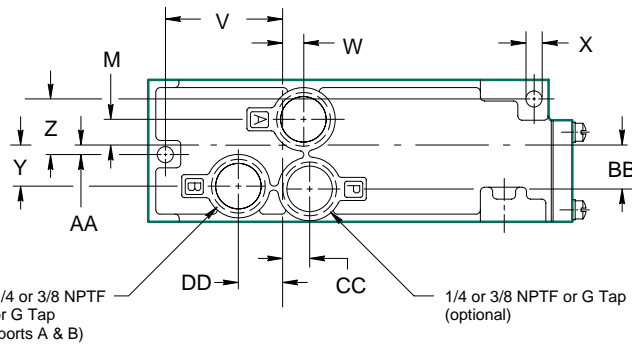


1/4 or 3/8 NPTF or G tap ports



1/2 NPTF or G Tap ports (6)

1-1/4 NPTF or M40 x 1.50 conduit port connection (both ends)



1/4 or 3/8 NPTF or G Tap (ports A & B)

1/4 or 3/8 NPTF or G Tap (optional)

Dimensions

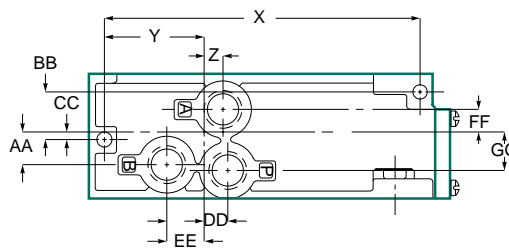
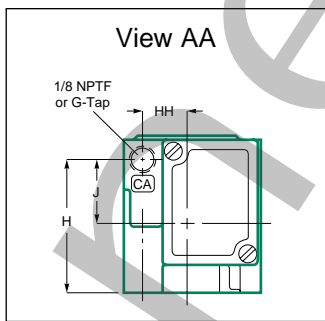
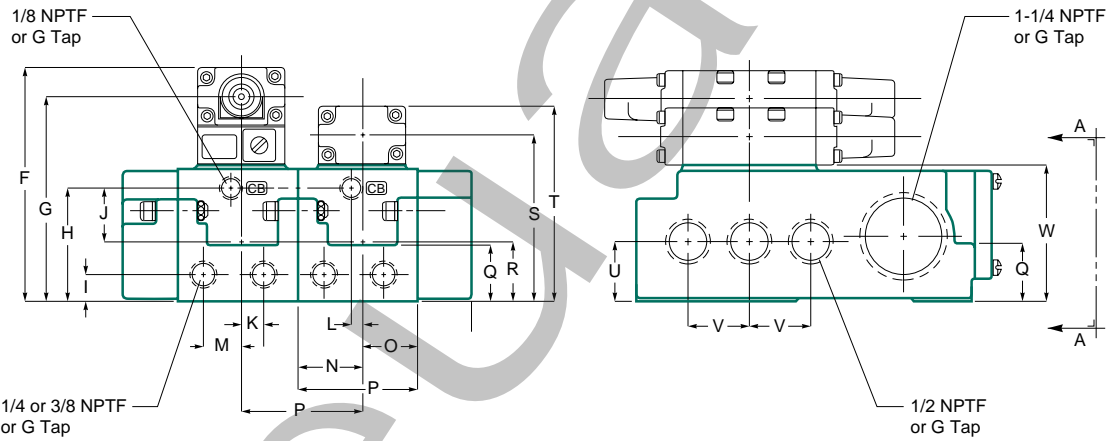
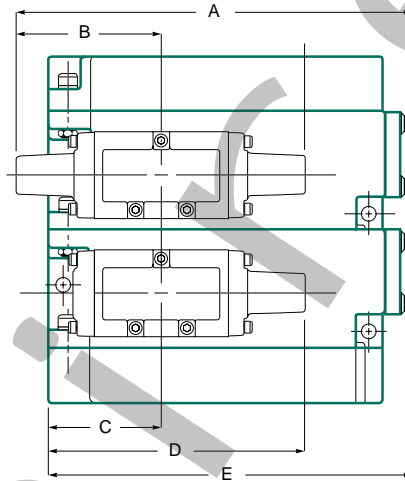
top dimensions = inches and bottom dimensions (in parenthesis) = millimeters

A (AC)	A (DC)	B (AC)	B (DC)	C	D	E (AC)	E (DC)	F	G	H	I	J	K	L	M	N
9.13 (231.9)	9.86 (250.4)	4.22 (107.2)	4.95 (125.7)	2.19 (55.6)	6.00 (152.4)	6.41 (162.8)	7.14 (181.4)	7.09 (180.8)	5.11 (129.8)	4.29 (109.0)	0.53 (13.5)	1.12 (28.4)	3.54 (89.9)	4.36 (110.7)	0.42 (10.7)	1.16 (29.5)
O	P	Q	R	S	T	U	V	W	X	Y	Z	AA	BB	CC	DD	
1.06 (26.9)	1.25 (31.7)	2.31 (58.7)	2.62 (66.5)	0.12 (3.0)	1.19 (30.2)	3.00 (76.2)	1.91 (48.5)	0.34 (8.6)	0.26 (6.6)	0.67 (17.0)	0.91 (23.1)	0.16 (4.1)	0.74 (18.8)	0.44 (11.2)	0.72 (18.3)	



Mark 15 & PA 15 Series

PA 15
Manifold Block Assembly



Dimensions

top dimensions = inches and bottom dimensions (in parenthesis) = millimeters

A	B	C	D	E	F	G	H	I	J	K	L	M	N	O	P	Q
7.72 (196.1)	2.81 (71.4)	2.19 (55.6)	5.00 (127.0)	7.10 (180.3)	4.51 (114.6)	3.97 (100.8)	2.22 (56.4)	0.53 (13.5)	1.06 (26.9)	0.42 (10.7)	0.20 (5.1)	1.16 (29.5)	1.25 (31.7)	1.06 (26.9)	2.31 (58.9)	1.12 (28.4)
R	S	T	U	V	W	X	Y	Z	AA	BB	CC	DD	EE	FF	GG	HH
1.16 (29.5)	3.22 (81.8)	3.76 (95.5)	1.16 (29.5)	1.19 (30.2)	2.62 (66.5)	6.00 (152.4)	1.91 (48.5)	0.34 (8.6)	0.67 (17.0)	0.91 (23.1)	0.16 (4.1)	0.44 (11.2)	0.72 (18.3)	0.42 (10.7)	0.74 (18.8)	0.75 (19.1)

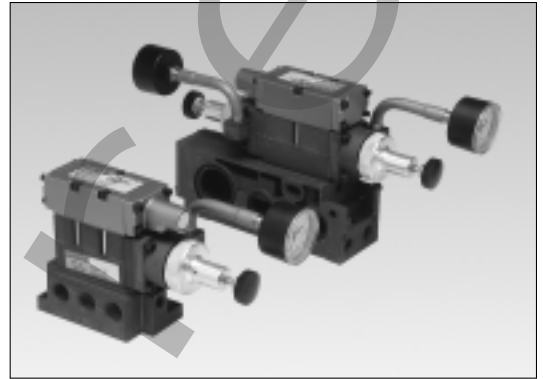


Mark 15 & PA 15 Series

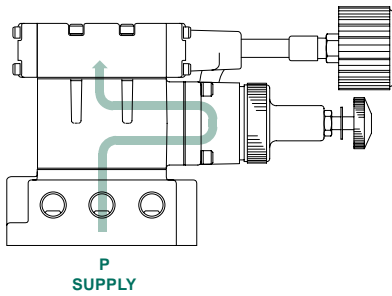


Sandwich Pressure Regulators

Types: RS / RD / RE / RT / RC / RQ

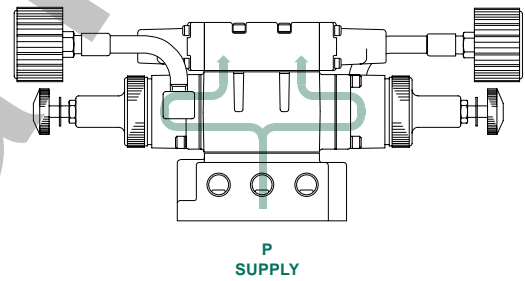


Type RS



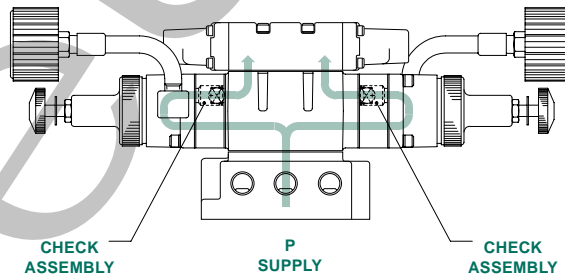
Single pressure from a single supply.

Type RD



Dual pressure from a single supply.

Type RC

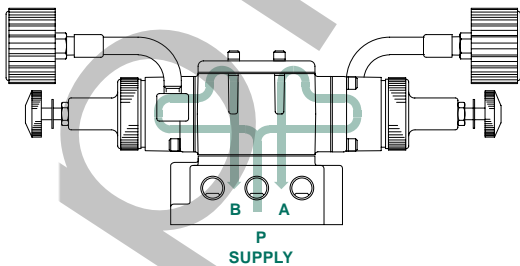


Type RC is Non-Relieving: traps downstream pressure if upstream pressure is exhausted.

Type RQ

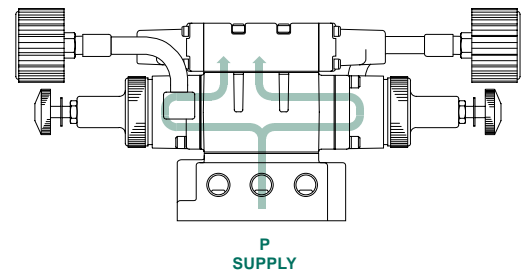
Type RQ is Relieving: exhaust pressure in cylinder if upstream pressure is exhausted.

Type RE



External outlet regulator used with jumper plate for single or dual pressure.

Type RT

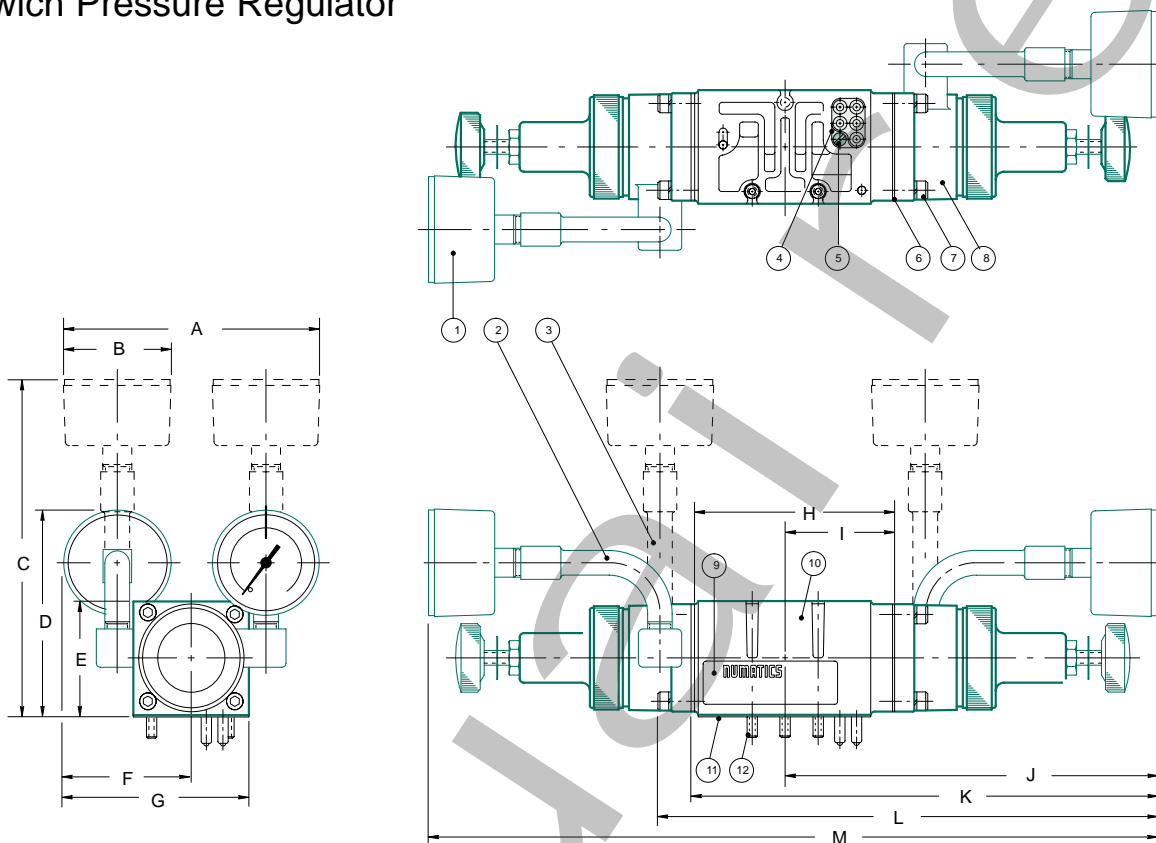


Two-pressure selector used for multi-pressure applications.



Mark 15 & PA 15 Series

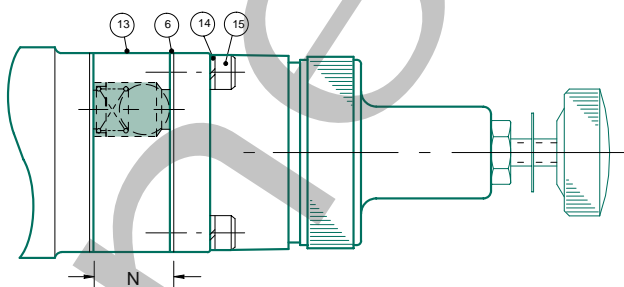
Sandwich Pressure Regulator



Check Assembly Kits

RC: 239-533

RQ: 239-537



Parts List

DET. NO.	NO. REQ'D	PART NAME	PART NO.
1	2*	Gauge (See Chart on p.13)	
2	2*	90 Tube Fitting	134-298
3	2*	Straight Fitting	134-293
4	1	Plug Receptacle Assembly	230-257
5	1	Screw	127-342
6	**	Gasket to regulator	113-272
7	8~	Screw	127-235
8	2*	Reg. Assembly (not sold separately)	
9	1	Nameplate	122-551
10	1	Regulator Block	RS 125-311 RD, RC, RQ 125-312 RT 125-313 RE 125-316
11	1	Gasket body/base	113-264
12	3	Studs	127-304
13	2	Check Assembly (not sold separately)	
14	8	Hi-Collar Lockwasher (RC, RQ only)	128-144
15	8	Screw (RC, RQ only)	127-227

*RS models require (1).
 **(1) for RS; (2) for RD, RE, RT;
 (4) for RC, RQ.
 ~RS models require (4).

Dimensions

top dimensions = inches and bottom dimensions (in parenthesis) = millimeters

A	B	C	D	E	F	G	H	I	J	K	L	M	N
3.87 (98.0)	1.62 (41.0)	5.70 (144.0)	3.15 (80.0)	1.73 (44.0)	1.94 (49.0)	2.80 (71.0)	3.03 (76.8)	1.66 (42.2)	5.68 (144.0)	7.02 (178.0)	7.33 (186.0)	10.92 (277.0)	0.66 (16.7)



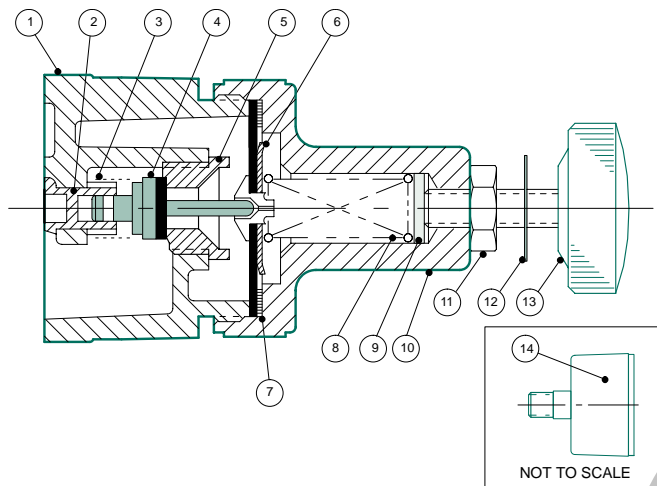
Mark 15 & PA 15 Series



Regulator Service Kit

229-640

Parts List



DET. NO.	NO. REQ'D	PART NAME	PRESSURE RANGE PSIG		
			3-30	5-60	10-130
1	1	Regulator Assembly** (not sold separately)			
2 *	1	Retainer	116-291	116-291	116-291
3 *	1	Spring	115-210	115-210	115-210
4 *	1	Poppet Assembly	221-121	221-121	221-121
5 *	1	Poppet Seat	124-142	124-142	124-142
6 *	1	Diaphragm Assembly	213-285	213-285	213-285
7 *	1	Washer	116-292	116-292	116-292
8	1	Bonnet Spring	115-211	115-212	115-213
9 *	1	Spring Guide	116-293	116-293	116-293
10	1	Bonnet	125-314	125-314	125-314
11	1	Locknut	128-177	128-177	128-177
12	1	Pressure Label	122-508	122-509	122-510
13	1	Knob Assembly	213-284	213-284	213-284
14		Regulator Gauges (with PSIG of...)	214-116 (0-60)	214-117 (0-100)	214-103 (0-160)
**Regulator Unit Kits (includes regulator assembly, gaskets, screws)			229-641	229-642	229-643

Jumper Plate Kit

229-644

(includes gasket #113-434 and screws #127-235)

RE Top Jumper Plate Kit

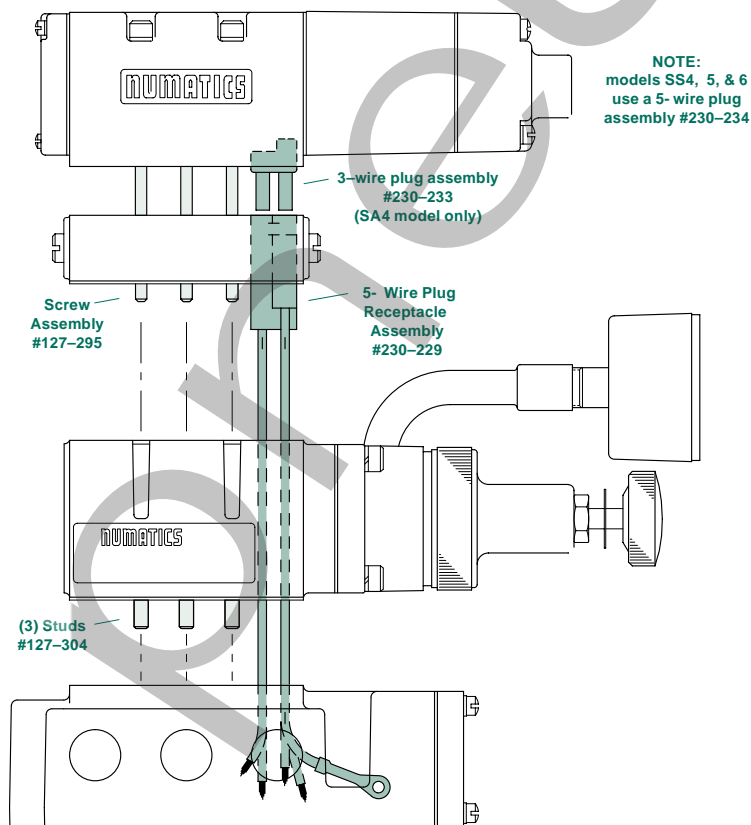
229-620

(includes gasket #113-264 and screws #127-235)

*Indicates parts included in kit.

Mark 15

Valve, Speed Control and Regulator Plug-In Assembly



EXAMPLE

152SA401K000030

Single solenoid valve unit + speed control sandwich with 5-wire plug receptacle and extra long screws

153RS131O000000

3/8 NPTF single pressure regulator (10-130 PSIG) with no receptacle mounted on an individual base with side ports and common exhaust

EXAMPLE ORDER:

Valve: 152SA401K000030
Regulator: 153RS131O000000
ASSEMBLED



Mark 15 & PA 15 Series

End Plate Kits

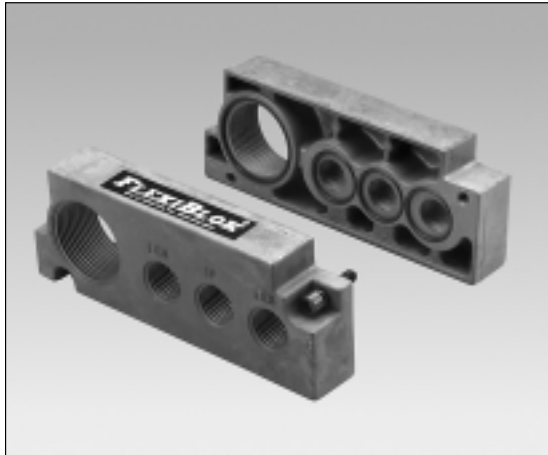
NPTF 229-621

G Tap 229-993

G Tap 239-530

G galleries/ metric conduit

G galleries/ NPTF conduit



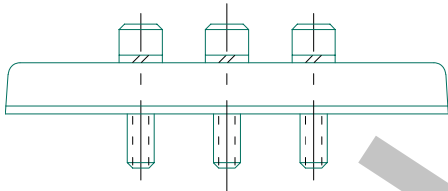
Part List

NO. REQ'D	PART NAME	PART NO.		
		NPTF	G TAP W/ METRIC CONDUIT	G TAP W/NPTF CONDUIT
1	Seal	126-121	126-121	126-121
1	Right End Plate	104-217	104-287	104-468
1	Nameplate	122-199	122-199	122-199
1	Left end Plate	104-218	104-288	104-288
2	Screws	127-152	127-152	127-152
3	Seal	126-209	126-209	126-209

Blank Station Plate Kit

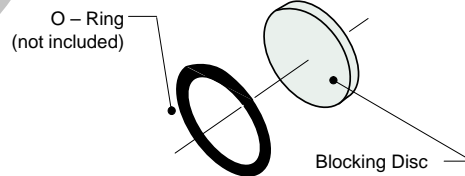
229-620

Includes gasket #113-264 and (3) screws #127-235.



Blocking Disc Kit

124-141



Adaptor Kits with End Plates

Mark 15 RIGHT* of Mark 8 229-695

Includes kit #229-694 (adaptor, screws, seals) + Mark 15 and 8 end plates

Mark 15 LEFT* of Mark 8 229-693

Includes kit #229-692 (adaptor, screws, seals) + Mark 15 and 8 end plates

Mark 15 RIGHT* of Mark 55 Compact 229-858

Includes kit #229-857 (adaptor, screws, seals) + Mark 15 and 55 end plates

Mark 15 LEFT* of Mark 55 Compact 229-860

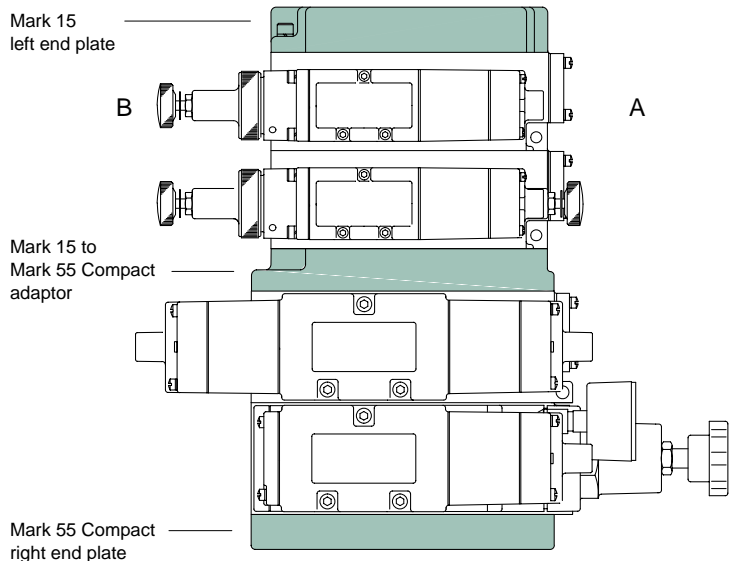
Includes kit #229-859 (adaptor, screws, seals) + Mark 15 and 55 end plates

PA 55 COMPACT RIGHT* of PA 15 229-860

Includes kit #229-859 (adaptor, screws, seals) + Mark 55 and 15 end plates

PA 55 COMPACT LEFT* of PA 15 229-858

Includes kit #229-857 (adaptor, screws, seals) + Mark 55 and 15 end plates



*Left/right when viewed from the cylinder ports of assembly



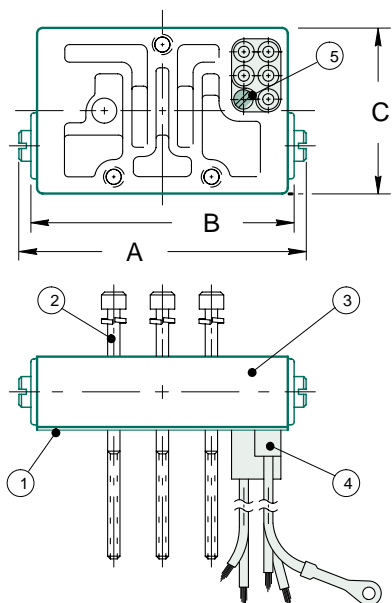
Mark 15 & PA 15 Series



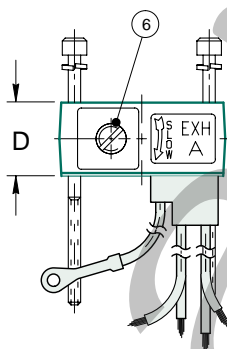
Mark 15
Speed Control Kit

229-622

229-664 (Kit with Plug)



Mounts between valve and base.



Parts List

DET. NO.	NO. REQ'D	PART NAME	PART NO.
1 *	1	Gasket	113-264
2 *	3	Screw Assembly	127-295
3 *	1	Speed Control (not sold separately)	
4 **	1	Receptacle Assembly	230-229
5 **	1	Receptacle Screw	127-169
6 *	2	Needle Assembly	213-180

*Indicates parts included in kit.

**Included in 229-664 kit only.

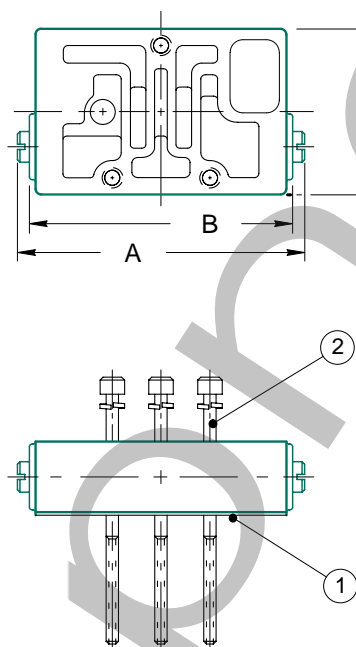
Dimensions

top dimensions = inches
bottom dimensions (in parenthesis) = millimeters

A	B	C	D
2.94 (74.7)	2.69 (68.0)	1.69 (43.0)	0.75 (19.0)

PA 15
Speed Control Kit

229-708



Parts List

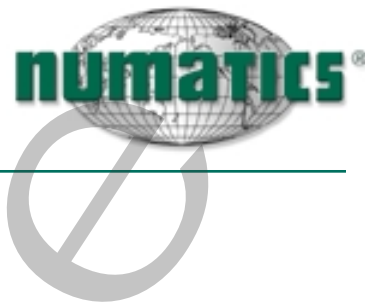
DET. NO.	NO. REQ'D	PART NAME	PART NO.
1	1	Gasket	113-264
2	3	Screw Assembly	127-323
3	2	Needle Assembly	213-180

Dimensions

top dimensions = inches
bottom dimensions (in parenthesis) = millimeters

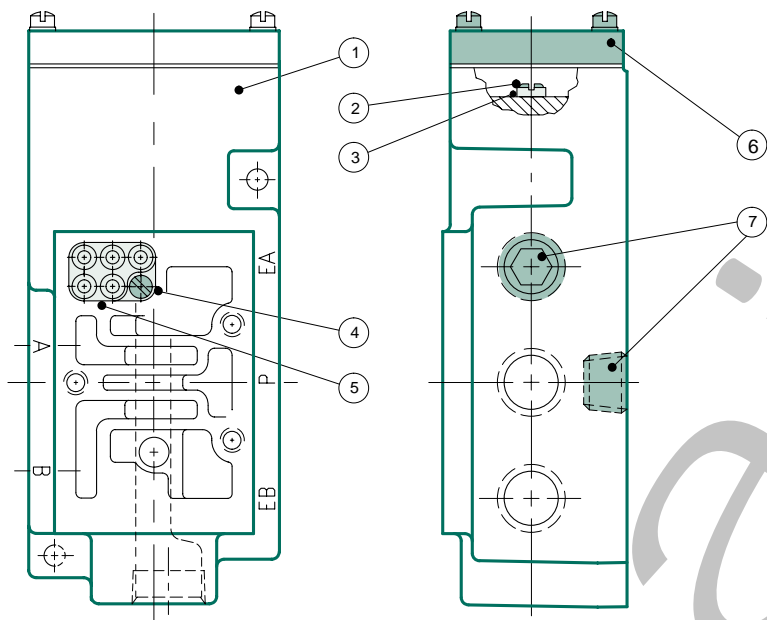
A	B	C	D
2.94 (74.7)	2.69 (68.0)	1.69 (43.0)	0.75 (19.0)

Mounts between valve and base.



Mark 15 & PA 15 Series

Mark 15
Base Assembly Kit



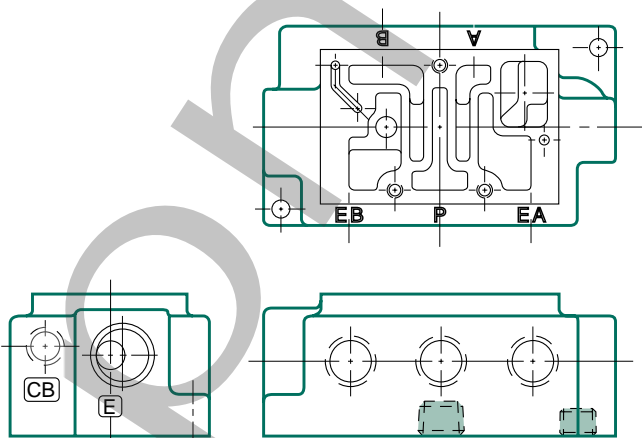
Parts List

DET. NO.	NO. REQ'D	PART NAME	PART NO.
1 *	1	Base (not sold separately)	
2 *	2	Screw	127-176
3 *	1	Washer	128-162
4 *	1	Screw	127-342
5 *	1	Receptacle Assembly Plug-in units only	230-229
6 *	1	Conduit Cover Assembly	205-302
7 *	**	Plug:	
			1/4 NPTF 129-101
			3/8 NPTF 129-102
			G 1/4 129-161
			G 3/8 129-163

*Indicates parts included in kit.
**Not used on 3A, 3C; plugs vary - consult factory.

BASE	EXHAUST	1/4 NPTF		3/8 NPTF		G 1/4		G 3/8	
		PLUG-IN	NO PLUG	PLUG-IN	NO PLUG	PLUG-IN	NO PLUG	PLUG-IN	NO PLUG
31 & 35: Side ports only	common	203-353	203-349	203-361	203-357	203-561	203-659	203-557	203-660
32 & 36: Side & bottom ports	common	203-354	203-350	203-362	203-358	203-663	203-661	203-664	203-662
3A & 3C: Side ports only	individual	203-351	203-347	203-359	203-355	203-611	203-665	203-612	203-645
3B & 3D: Side & bottom ports	individual	203-352	203-348	203-360	203-356	203-668	203-667	203-670	203-669

PA 15
Base Assembly Kit with Tapped CA and CB Ports



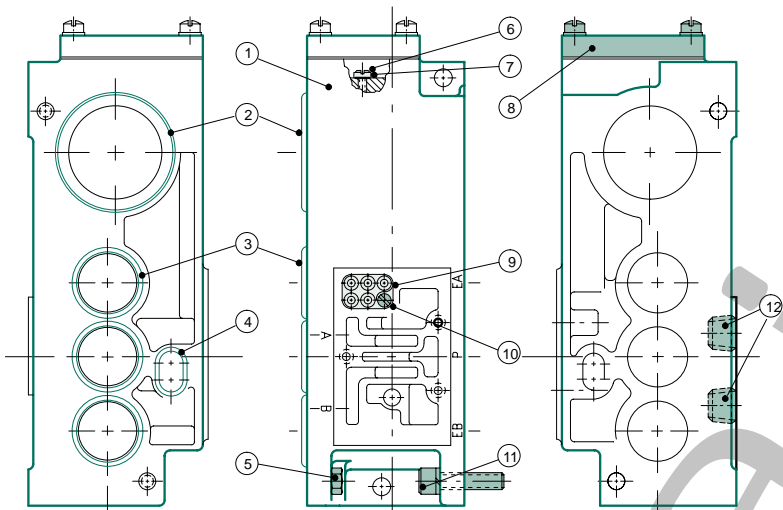
BASE DESCRIPTION	1/4 NPTF	3/8 NPTF
41 & 46: Side ports, individual exhaust	103-485	103-489
43 & 48: Side & bottom ports, individual exhaust	203-451	203-454
44 & 49: Side ports, common exhaust	203-452	203-455
54 & 55: Side & bottom ports, common exhaust	203-453	203-456



Mark 15 & PA 15 Series



Mark 15
Flexiblok Manifold Kits



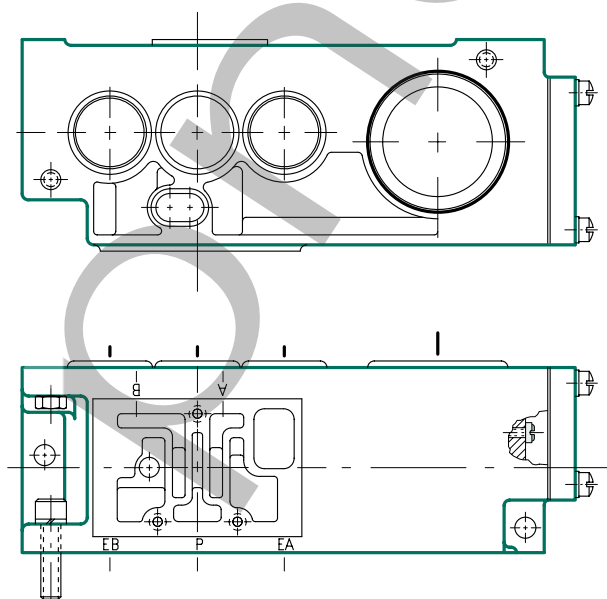
Parts List

DET. NO.	NO. REQ'D	PART NAME	PART NO.
1 *	1	Valve Blok (not sold separately)	
2 *	1	Seal	126-121
3 *	3	Seal	126-209
4 *	1	Seal (for 1B & 18)	126-202
5 *	2	Nut	128-103
6 *	2	Screw	127-176
7 *	1	Washer	128-162
8 *	1	Conduit Cover Assembly	205-303
9 *	1	Receptacle Assembly Plug-in units only	230-229
10 *	1	Screw - receptacle	127-342
11 *	2	Screw	127-152
12 *	2	Plug:	
		1/4 NPTF	129-101
		3/8 NPTF	129-102
		G 1/4	129-161
		G 3/8	129-163

*Indicates parts included in kit.

FLEXIBLOK DESCRIPTION	1/4 NPTF		3/8 NPTF		G 1/4		G 3/8	
	PLUG-IN	NO PLUG	PLUG-IN	NO PLUG	PLUG-IN	NO PLUG	PLUG-IN	NO PLUG
#15: Side & bottom Cylinder ports	229-629	229-627	229-630	229-628	239-210	239-367	229-999	239-368
#15: Side & bottom cyl. ports w/bottom P port	229-632	229-631	229-634	229-633	239-371	239-369	239-372	239-370
#16: Auxiliary inlet	229-792	229-789	229-798	229-795	239-375	239-373	239-376	239-374
#1B: Alternate outlet	229-793	229-790	229-799	229-796	239-383	239-381	239-384	239-382
#18: Alternate outlet & auxiliary inlet	229-794	229-791	229-800	229-797	239-379	239-377	239-380	239-378

PA 15
Flexiblok Manifold Kits with Tapped CA and CB Ports



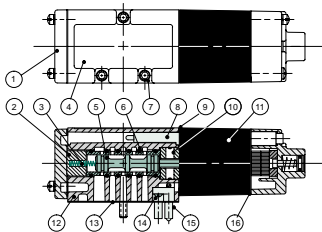
FLEXIBLOK DESCRIPTION	1/4 NPTF	3/8 NPTF
15: Manifold w/side & bottom cylinder ports	229-709	229-710
15: w/side & bottom cyl. ports & bottom P port	229-711	229-712
16: Auxiliary inlet	229-896	229-899
1B: Alternate outlet	229-897	229-900
18: Alternate outlet & auxiliary inlet	229-898	229-901



Mark 15 & PA 15 Series

Service Kits and Parts

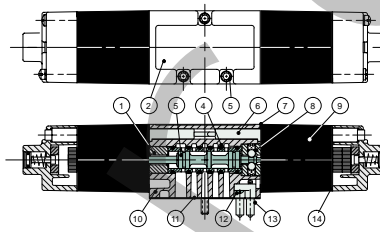
Kit No. MK15-K1* (For Models 152SA4, 153SA4)



Parts List

DET. NO.	NO. REQ'D	PART NAME	PART NO.
1	1	End Plate Assembly	204-215
2 *	1	Spring Retainer	116-286
3 *	1	Spring	115-214
4	1	Nameplate	122-941
5	1	Sleeve Assembly w/seals	209-246**
6 *	6	Seal	126-202
7	3	Screw	127-294
8	1	Electrical Receptacle	125-309
9 *	2	Gasket solenoid/valve	113-268
10 *	1	Detented Body	110-113
11	1	Solenoid Capsule Assembly	See p. 20
12	1	Valve Body (not sold separately)	
13 *	1	Gasket body/base	113-264
14	1	Screw	127-169
15	1	3-Wire Plug Assembly	230-233
16 *	1	Gasket solenoid/end cap	113-267

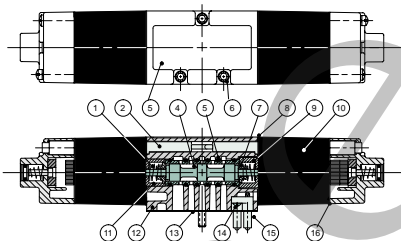
Kit No. MK15-K2* (For Models 152SS4, 153SS4)



Parts List

DET. NO.	NO. REQ'D	PART NAME	PART NO.
1 *	1	Spacer	116-285
2	1	Nameplate	122-941
3	1	Sleeve Assembly w/seals	209-247**
4 *	6	Seal	126-202
5	3	Screw	127-294
6	2	Electrical Receptacle	125-309
7 *	2	Gasket solenoid/valve	113-268
8 *	1	Detented Assembly	210-116
9	2	Solenoid Capsule Assembly	See p. 20
10	1	Valve Body (not sold separately)	
11 *	1	Gasket body/base	113-264
12	1	Screw	127-169
13	1	5-Wire Plug Assembly	230-234
14 *	2	Gasket solenoid/end cap	113-267

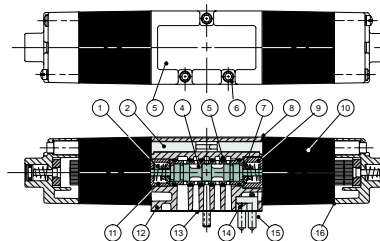
Kit No. MK15-K3* (For Models 152SS5, 153SS5)



Parts List

DET. NO.	NO. REQ'D	PART NAME	PART NO.
1 *	2	Spring	115-204
2	2	Electrical Receptacle	125-309
3	1	Nameplate	122-941
4	1	Sleeve Assembly w/seals	209-248**
5 *	6	Seals	126-202
6	3	Screw Assembly	127-294
7 *	2	Spring Retainer	116-287
8 *	2	Gasket solenoid/valve	113-268
9 *	1	Spacer	116-288
10	2	Solenoid Capsule Assembly	See p. 20
11 *	1	Spacer	116-289
12	1	Valve Body (not sold separately)	
13 *	1	Gasket body/base	113-264
14	1	Screw	127-169
15	1	5-Wire Plug Assembly	230-234
16 *	2	Gasket solenoid/end cap	113-267

Kit No. MK15-K3* (For Models 152SS6, 153SS6)



Parts List

DET. NO.	NO. REQ'D	PART NAME	PART NO.
1 *	2	Spring	115-204
2	2	Electrical Receptacle	125-309
3	1	Nameplate	122-941
4	1	Sleeve Assembly w/seals	209-249**
5 *	6	Seals	126-202
6	3	Screw Assembly	127-294
7 *	2	Spring Retainer	116-287
8 *	2	Gasket solenoid/valve	113-268
9 *	1	Spacer	116-288
10	2	Solenoid Capsule Assembly	See p. 20
11 *	1	Spacer	116-289
12	1	Valve Body (not sold separately)	
13 *	1	Gasket body/base	113-264
14	1	Screw	127-169
15	1	5-Wire Plug Assembly	230-234
16 *	2	Gasket solenoid/end cap	113-267

*Indicates parts included in service kit. **Spool and sleeve assemblies are precision matched set; spools are not interchangeable; and assemblies include (6) #126-202 seals.

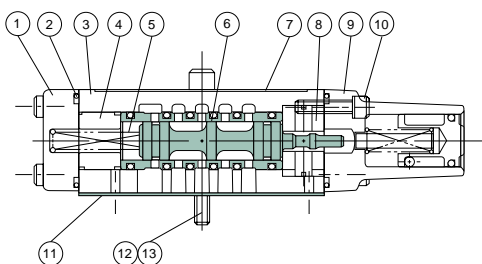


Mark 15 & PA 15 Series



Service Kits and Parts

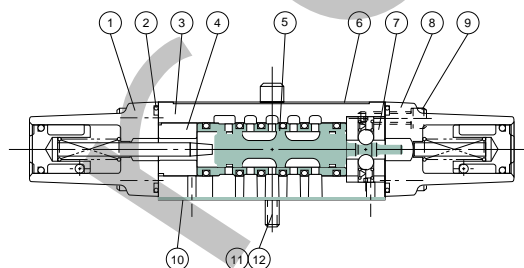
Kit No. PA15-K1* (For Models JA4, JK4)



Parts List

DET. NO.	NO. REQ'D	PART NAME	PART NO.
1	1	End Cap	104-233
2 *	2	O-Ring	126-208
3	1	Valve Body (not sold separately)	
4 *	1	Spacer	116-313
5 *	1	Spring	115-224
6	1	Sleeve Assembly w/seals	209-270**
7	1	Nameplate	122-942
8 *	1	Detented Body	110-113
9	1	End Cap Assembly	204-263
10	8	Screw	127-320
11 *	1	Gasket	113-264
12	3	Screw	127-227
13	3	Lockwasher	128-144

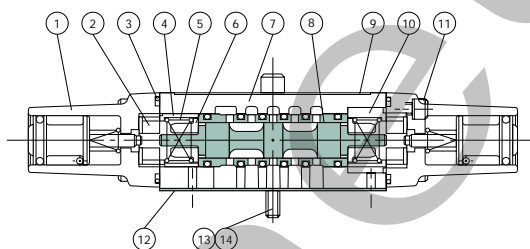
Kit No. PA15-K2* (For Model JJ4)



Parts List

DET. NO.	NO. REQ'D	PART NAME	PART NO.
1	1	End Cap	204-265
2 *	2	O-Ring	126-208
3	1	Va/ve Body (not sold separately)	
4 *	1	Spacer	116-313
5	1	Sleeve Assembly w/seals	209-270**
6	1	Nameplate	122-942
7 *	1	Detented Assembly JJ4	210-116
8	1	End Cap Assembly	204-263
9	8	Screw	127-320
10 *	1	Gasket	113-264
11	3	Screw	127-227
12	3	Lockwasher	128-144

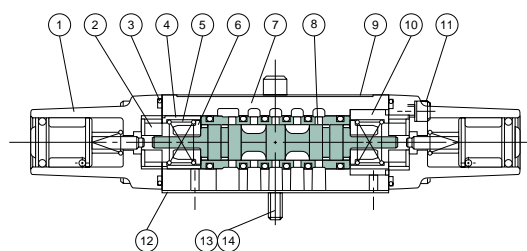
Kit No. PA15-K3* (For Model JJ5)



Parts List

DET. NO.	NO. REQ'D	PART NAME	PART NO.
1	2	End Cap Assembly	204-267
2 *	2	Bumper	114-100
3 *	2	O-Ring	126-208
4 *	1	Spacer	116-315
5 *	2	Spring	115-225
6 *	2	Spring Retainer	116-316
7	1	Va/ve Body (not sold separately)	
8	1	Sleeve Assembly w/seals	209-271**
9	1	Nameplate	122-942
10 *	1	Spacer	116-314
11	8	Screw	127-320
12 *	1	Gasket	113-264
13	3	Screw	127-227
14	3	Lockwasher	128-144

Kit No. PA15-K3* (For Model JJ6)



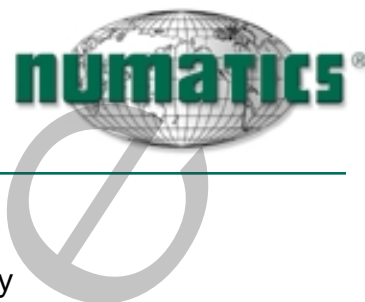
Parts List

DET. NO.	NO. REQ'D	PART NAME	PART NO.
1	2	End Cap Assembly	204-267
2 *	2	Bumper	114-110
3 *	2	O-Ring	126-208
4 *	1	Spacer	116-315
5 *	2	Spring	115-225
6 *	2	Spring Retainer	116-316
7	1	Va/ve Body (not sold separately)	
8	1	Sleeve Assembly w/seals	209-272**
9	1	Nameplate	122-942
10 *	1	Spacer	116-314
11	8	Screw	127-320
12 *	1	Gasket	113-264
13	3	Screw	127-227
14	3	Lockwasher	128-144

*Indicates parts included in service kit. **Spool and sleeve assemblies sold as precision matched set; spools are not interchangeable; and assemblies include (6) #126-202 seals.



Mark 15 & PA 15 Series



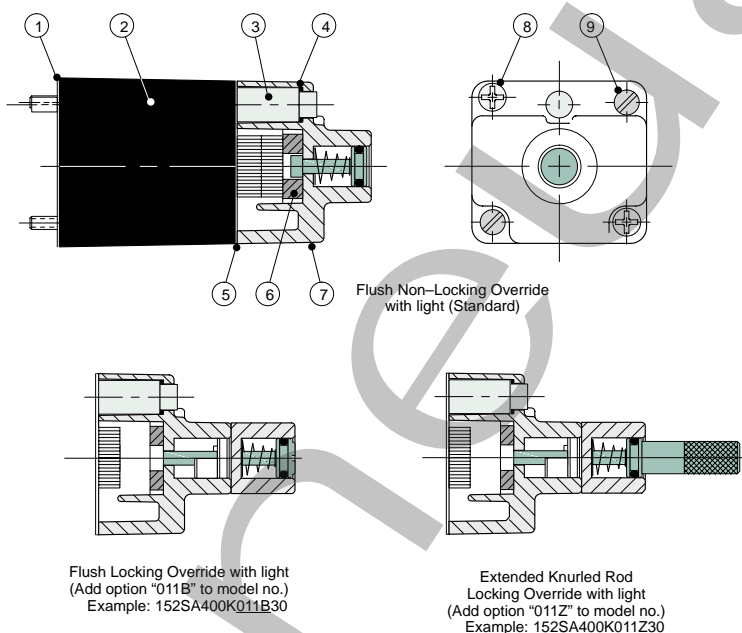
Mark 15 Solenoid Capsule Assemblies

Complete Solenoid Capsule Assemblies

End Cap Only

OVERRIDE TYPE	VALVE FUNCTION	PLUG-IN	VOLTAGE					LIGHT OPTION				
			AC		DC	AC	DC	DC	NO LIGHT			
			100-115/50 110-120/60	200-230/50 220-240-60	24/50-60	12VDC	24VDC	100-130V	200-260V	8-13VDC	14-24VDC	NO LIGHT
Flush Non-Locking Override w/Light	2 Position	Standard	237-325	237-326	237-426	226-800	226-801	204-217	204-218	204-491	204-492	204-216
	2 Position	DIN Plug-in	237-337	237-338	-	226-509*	226-510*	204-217	204-218	N/A	N/A	204-216
	3 Position	Standard	237-331	237-332	237-425	226-804	226-805	204-220	204-221	204-495	204-496	204-219
	3 Position	DIN Plug-in	237-343	237-344	-	226-515*	226-516*	204-220	204-221	N/A	N/A	204-219
Flush Locking w/Light	2 Position	Standard	237-361	237-362	-	-	226-902	204-226	204-227	-	-	204-224
	3 Position	Standard	237-363	237-364	-	-	236-213	204-228	204-229	-	-	204-225
Ext. Rod Locking w/Light	2 Position	Standard	237-365	237-366	237-612	-	226-906	204-238	204-239	-	-	204-236
	3 Position	Standard	237-365	237-368	-	-	226-553	204-240	204-241	-	-	204-237
Solenoid Only less end cap; screws & gaskets not included		Standard	228-690	228-691	228-692	225-371	225-372					
		DIN Plug-in	228-694	228-695	228-696	225-265	225-266					

*DIN DC solenoids are not available with light.

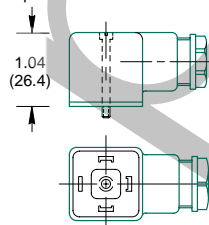


Parts List

DET. NO.	NO. REQ'D	PART NAME	PART NO.
1	1	Gasket solenoid/valve	113-268
2	1	Solenoid	See Chart
3	1	Light Assembly:	
		100-115/50	230-235
		110-120/60	230-235
		200-230/50	230-236
		220-240/60	230-236
		12VDC	230-283
		24VDC	230-284
4	1	O-Ring Seal	126-144
5	1	Gasket solenoid/end cap	113-267
6	1	Bumper:	
		Black for 2 position	114-134
		Red for 3 position	114-133
7	1	End Cap Assembly	See Chart
8	2	Screw cap/solenoid	127-297
9	2	Solenoid Screws AC	127-298
		Solenoid Screws DC	127-302

Plug Assemblies

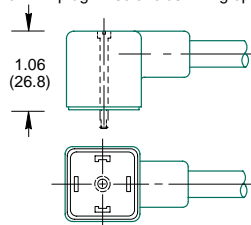
Per DIN Spec. No. 43650
Accepts cable dia. .310 - .410 For DIN plug-in solenoids wiring options 6 & 4



PART NAME	PART NO.
Gray (A) Plug Ass'y	230-369
Black (B) Plug Ass'y	230-370
Plug w/24VDC Light	230-371
Plug w/110VAC Light	230-372
Plug w/220VAC Light	230-373
Plug w/12VDC Light	230-385

Superstructure Plug with Cord

Per DIN Spec. No. 43650
For DIN plug-in solenoids wiring options 6 & 4



PART NAME	PART NO.
Plug with 4' Cord	230-213
Plug with 6' Cord	230-215