

ORDER  
ONLINE



Grippers



# ***PG6J80 Series***

***Six Jaw Gripper with Ejectors***

*We're everywhere you need us to be!*



---

<b>PG6J80 Series 6 Jaw Gripper with Ejectors</b> .....	3-4
Features and Benefits .....	3
How To Order .....	3
Dimensions and Specifications .....	4

Pneumair



## PG6J80 Series 6 Jaw Gripper with Ejectors



The series 6 finger gripper design utilizes a dual acting piston to open and close gripper jaws. All six jaws are synchronized for accurate positioning. The included ejectors operate independent of the gripper jaws, providing a convenient method to strip parts from the jaws. An example of this could be, expanding an o-ring and pushing it on to the desired part.

### A. Body

Hardcoat, anodized, Teflon impregnated aluminum, lightweight durable.

### B. Jaws

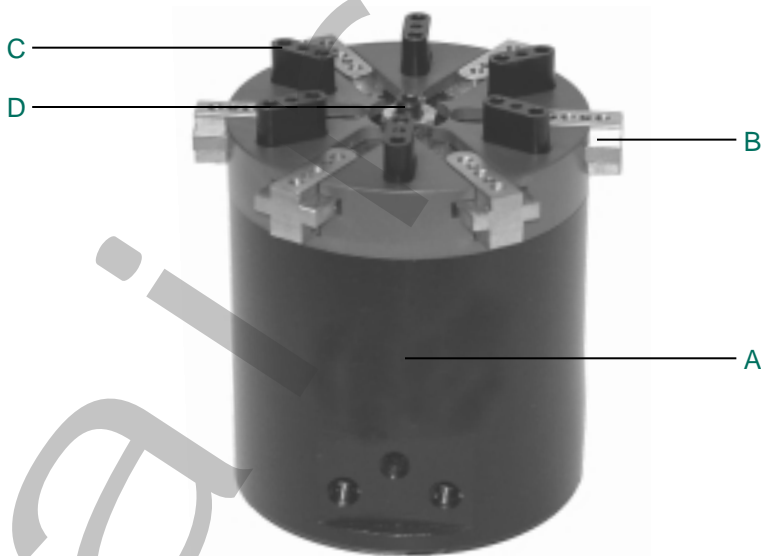
T-slot design for superior load bearing support, six jaws in synchronized parallel motion.

### C. Ejectors

Independent motion from jaws. Single acting, air pressure to extend, spring return. All ejectors extend and retract together.

### D. Stroke adjustment

Easy access stroke adjustment screw provides precise controllability of jaw travel. Locking jam nut secures adjusted position.



## How to Order

**PG6J 80 1 6 D X**

Series  
80

Seal Type  
1 = Buna-N  
2 = Viton

Special Option  
X = No Options

Sensing Position  
A = Single Position Open  
B = Single Position Closed  
C = Ejection Position  
D = All Positions  
E = No Sensing

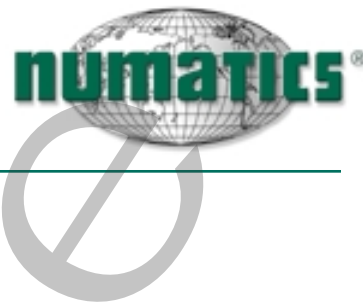
Sensing Type  
Standard Cord Set  
4 = Prox Switch - PNP (sourcing)  
5 = Prox Switch - NPN (sinking)  
6 = No Sensing  
Quick Disconnect Cord Set  
W = Prox Switch - PNP (sourcing) Straight  
V = Prox Switch - NPN (sinking) Straight  
U = Prox Switch - PNP (sourcing) 90 Deg.  
T = Prox Switch - NPN (sinking) 90 Deg.  
Prox switch 6.5 mm diameter.

### When ordering additional switches:

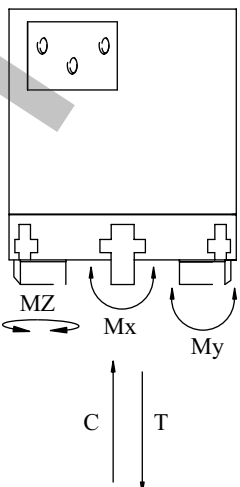
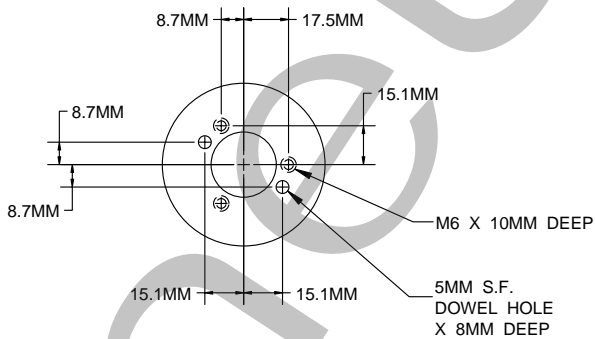
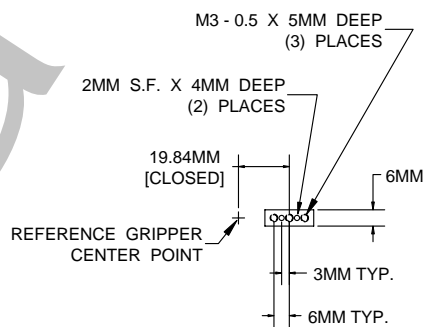
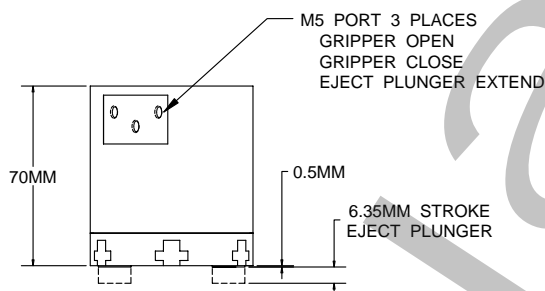
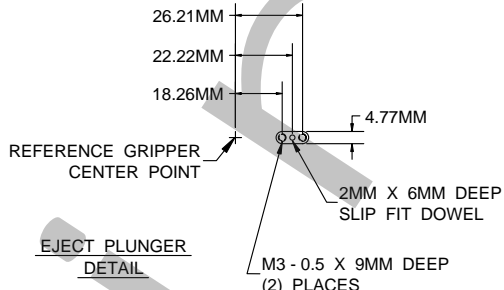
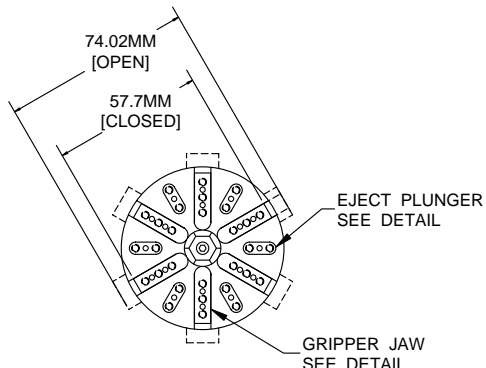
SWITCH DESCRIPTION	STANDARD PART NO.	QUICK DISCONNECT PART NO.
Prox Switch-PNP (Sourcing)	PX65PS	PX65PQ
Prox Switch-NPN (Sinking)	PX65NS	PX65NQ
Quick Disconnect Cable	-	PXCST
90° 5 meter cable	-	PXC90



PG6J80 Series  
6 Jaw Gripper with Ejectors



PG6J80 Series



Specifications

	PG6J80
Grip force @ 100 psi	81 lb
Stroke (Spreading Jaw)	0.640 Adjustable
Stroke (Ejecting Jaws)	0.250
Repeatability	+/-0.002
Bore Dia.	1.0
Operating Temp.	
Buna-N	-30-180°F
Viton	-20-300°F
Max. Actuation Speed	0.2 Sec.
Unit Weight	1.25 lbs
Max. Pressure	150 psi
<b>JAW LOADING</b>	
C-Compression	60 lbs
T-Tension	60 lbs
Mx	60 in.-lbs.
My	60 in.-lbs.
Mz	60 in.-lbs.