

ORDER  
ONLINE



Actuators



***RM Series***  
***Rotary Modules***

*We're everywhere you need us to be!*

ORDER  
ONLINE



---

<b>RM Series</b> .....	3-5
Features and Benefits .....	3
How To Order .....	3
Dimensions .....	4-5

Pneumatic



RM Series



RM- Series Rotary Manifold Utilizes a unique concept in transferring air pressure thru fixed ports to rotating parts on the Rotary Platform. As shown the Rotary Manifold and Gripper is a Clean Compact Assembly which allows the Gripper to rotate freely without Rotating Air lines. The RM-Series Rotary Manifold can be Supplied without Gripper.

A. LR-Series Rotary Actuator

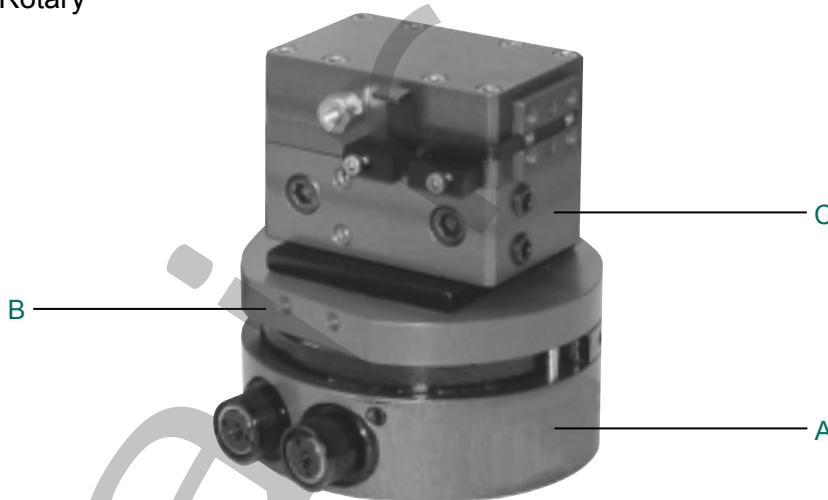
Available on LR06 & LR20 Rotary Actuator

B. Stationary Flanged Port Plate

Delivers Air Pressure to Rotating Component (Gripper)  
Eliminates Airlines from tangling

C. Parallel Gripper

Several Series of grippers are available consult this section of catalog.



How to Order

RM 1 A 4 C 4 C X

Rotary Actuator

- 1 = LR06 Rotary with WGS50 Gripper
- 2 = LR20 Rotary with WGS50 Gripper
- 3 = LR20 Rotary with WGL50 Gripper
- 4 = LR20 Rotary with WGS90 Gripper
- 5 = LR20 Rotary with WBGS60 Gripper
- 8 = LR06 Rotary without Gripper
- 9 = LR20 Rotary without Gripper

Rotation

- A = 90°
- B = 180°

Rotary Actuator Sensing Type

- Standard Cord Set
- 4 = Prox Switch - PNP (sourcing)
  - 5 = Prox Switch - NPN (sinking)
  - 6 = No Sensing
- Quick Disconnect Cord Set
- W = Prox Switch - PNP (sourcing) Straight
  - V = Prox Switch - NPN (sinking) Straight
  - U = Prox Switch - PNP (sourcing) 90 Deg.
  - T = Prox Switch - NPN (sinking) 90 Deg.
- Prox switches are 5 mm diameter.

Special Options

- X = No Options

Gripper Sensing Position

- A = Single Position Open
- B = Single Position Closed
- C = Two Position Sensing
- D = No Sensing

Parallel Gripper Sensing Type

- Standard Cord Set
- 4 = Prox Switch - PNP (sourcing)
  - 5 = Prox Switch - NPN (sinking)
  - 6 = No Sensing
- Prox switches are 4 mm diameter.

Rotary Actuator Sensing Position

- A = Single Position CW
- B = Single Position CCW
- C = Two Position
- D = No Sensing

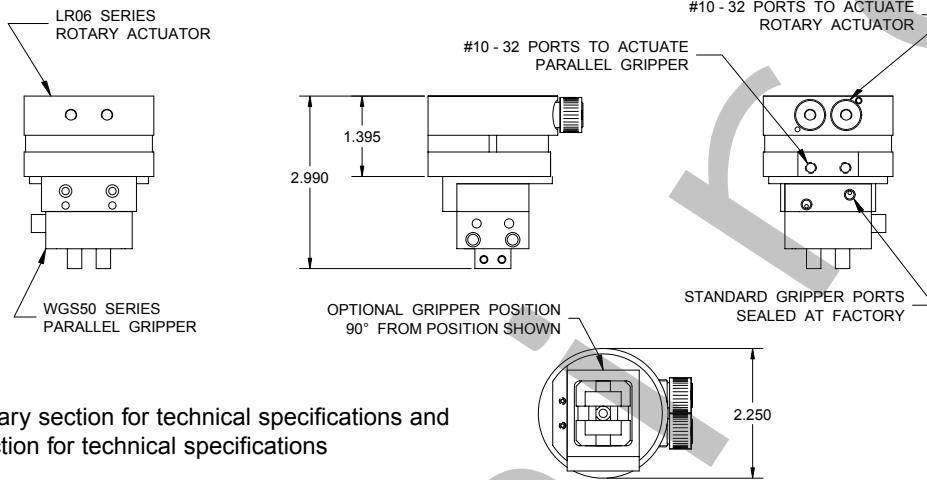
When ordering additional switches

SWITCH DESCRIPTION	STANDARD PART NO.	QUICK DISCONNECT PART NO.
Prox Switch-PNP (Sourcing)	PX05PS	PX05PQ
Prox Switch-NPN (Sinking)	PX05NS	PX05NQ
Quick Disconnect Cable	-	PXCST
90° 5 meter cable	-	PXC90
Bronze switch housing for LR & RM Rotaries	-	RSH05



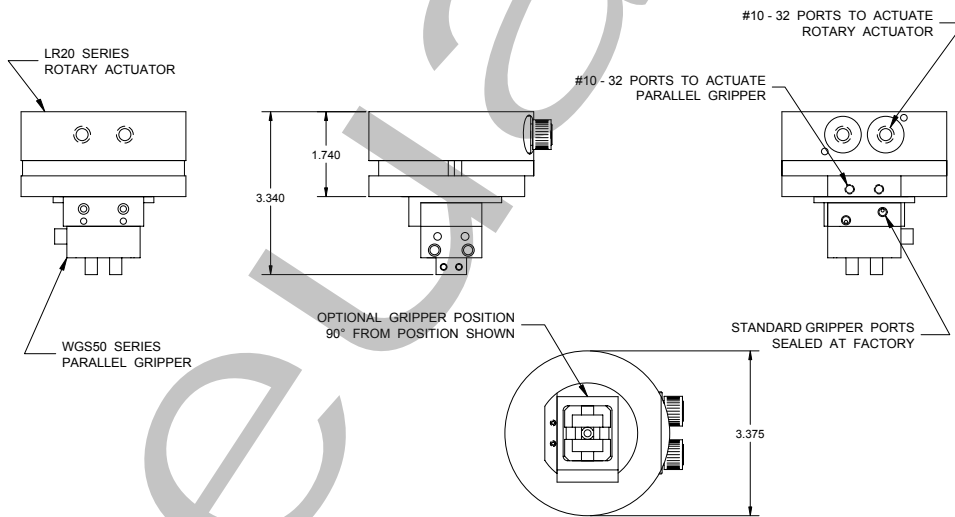
RM Series

RM1

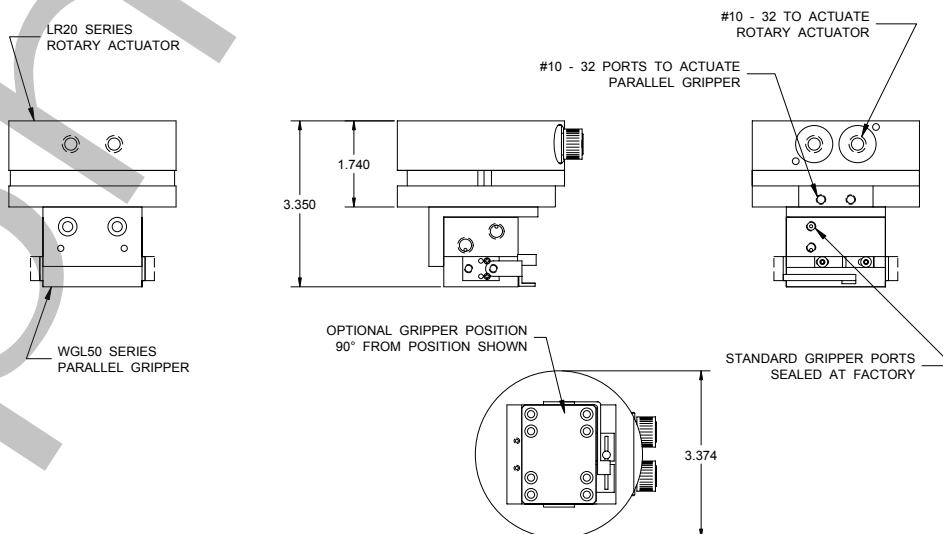


NOTE: Consult Rotary section for technical specifications and consult Gripper section for technical specifications

RM2



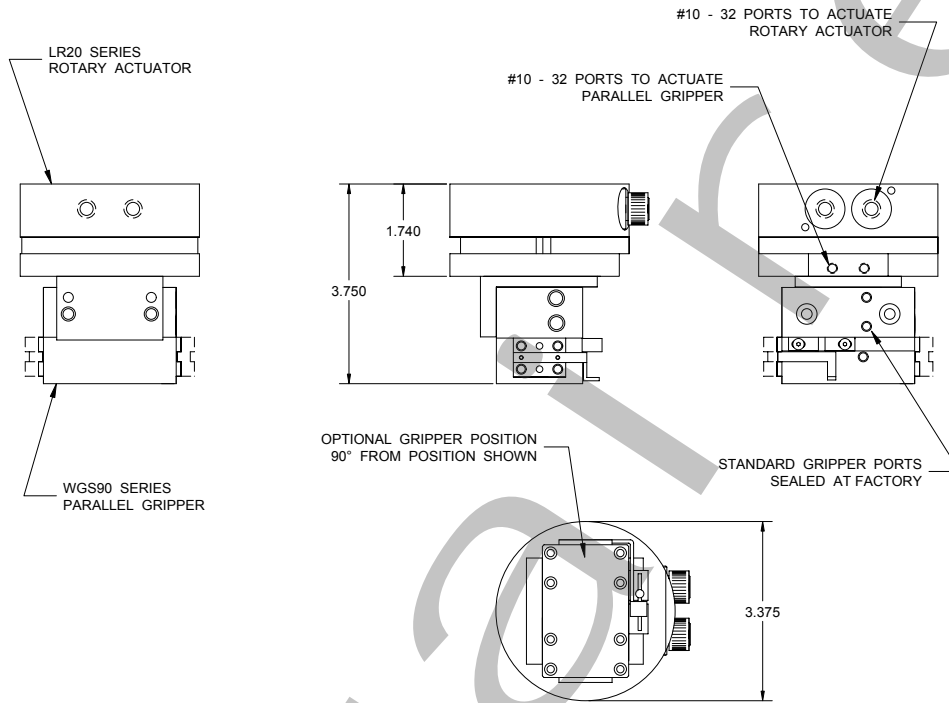
RM3





RM Series

RM4



NOTE: Consult Rotary section for technical specifications and consult Gripper section for technical specifications

RM5

