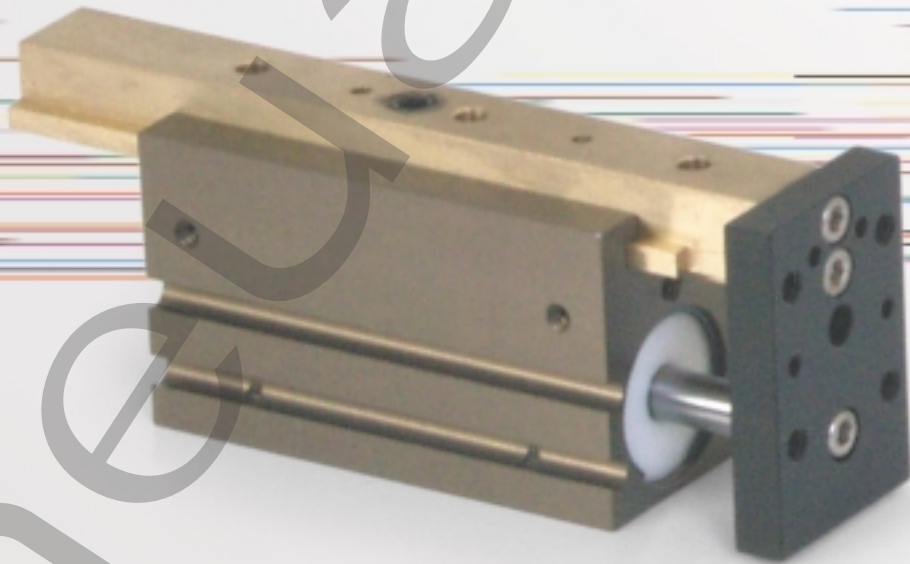


ORDER
ONLINE



Slides



SPS Series

Small Power Slide

We're everywhere you need us to be!



SPS Series Small Power Slide3-7

- Features and Benefits3
- How To Order3
- SPS050 1/2" & 1" Stroke Dimensions4
- Specifications4
- SPS050 1-1/2" & 2.0" Stroke Dimensions5
- Specifications5
- SPS075 1/2" & 1" Stroke Dimensions6
- Specifications6
- SPS075 1-1/2" & 2.0" Stroke Dimensions7
- Specifications7



SPS Series
Small Power Slide



SPS Series Small Power Slide

The SPS-Series small size makes it the ideal slide for getting into those tight spaces.

A. Body

Hardcoat Anodized, Teflon impregnated inside & out.
Light weight durable, High strength to weight ratio.

B. Slide

Aluminum Bronze alloy. Heavy cross section T-Slot style to prevent fatigue failure and breakage.
Offers superior load bearing capabilities throughout stroke.
Payload can be attached to top of slide or tooling plate.

C. Stroke adjustment

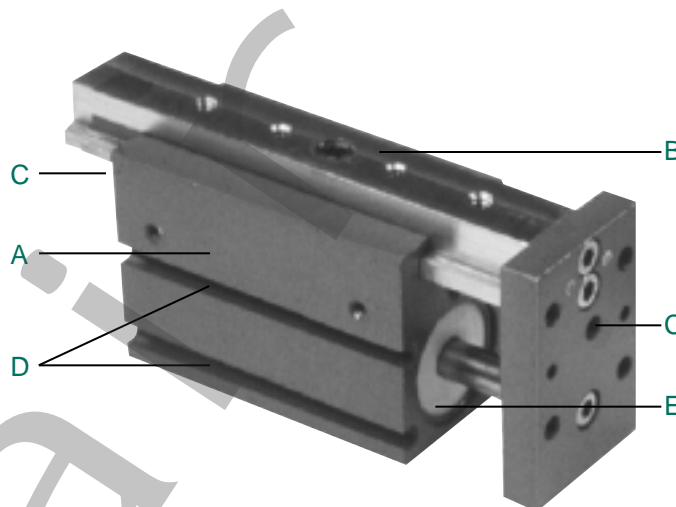
Fine adjustments can be made to extend stroke accessible through the tooling plate. Retract stroke can be adjusted from backside of unit. Locking set screws insure precise repetitive operation.

D. Sensing

Hall effect sensing is available for sensing extend & retract.

E. Bearing

Special engineered material, low friction, long life
Maximum rigidity.



How to Order

SPS 075 X9 1 4 C X

Bore Sizes

050 = 1/2 Inch
075 = 3/4 Inch

Standard Stroke

X5 = 1/2 Inch
01 = 1 Inch
X9 = 1-1/2 Inches
02 = 2 Inches

Seal Option

1 = Buna-N
2 = Viton

Special Options

X = No Options

Sensing Position

A = Single Position Extend
B = Single Position Retract
C = Two Position Sensing
D = No Sensing

Sensing Type

Standard Cord Set
1 = Hall Switch - PNP (sourcing)
2 = Hall Switch - NPN (sinking)

6 = No Sensing
Quick Disconnect Cord Set
Z = Hall Switch - PNP (sourcing) Straight
Y = Hall Switch - NPN (sinking) Straight

See Sensor section.

When ordering additional switches:

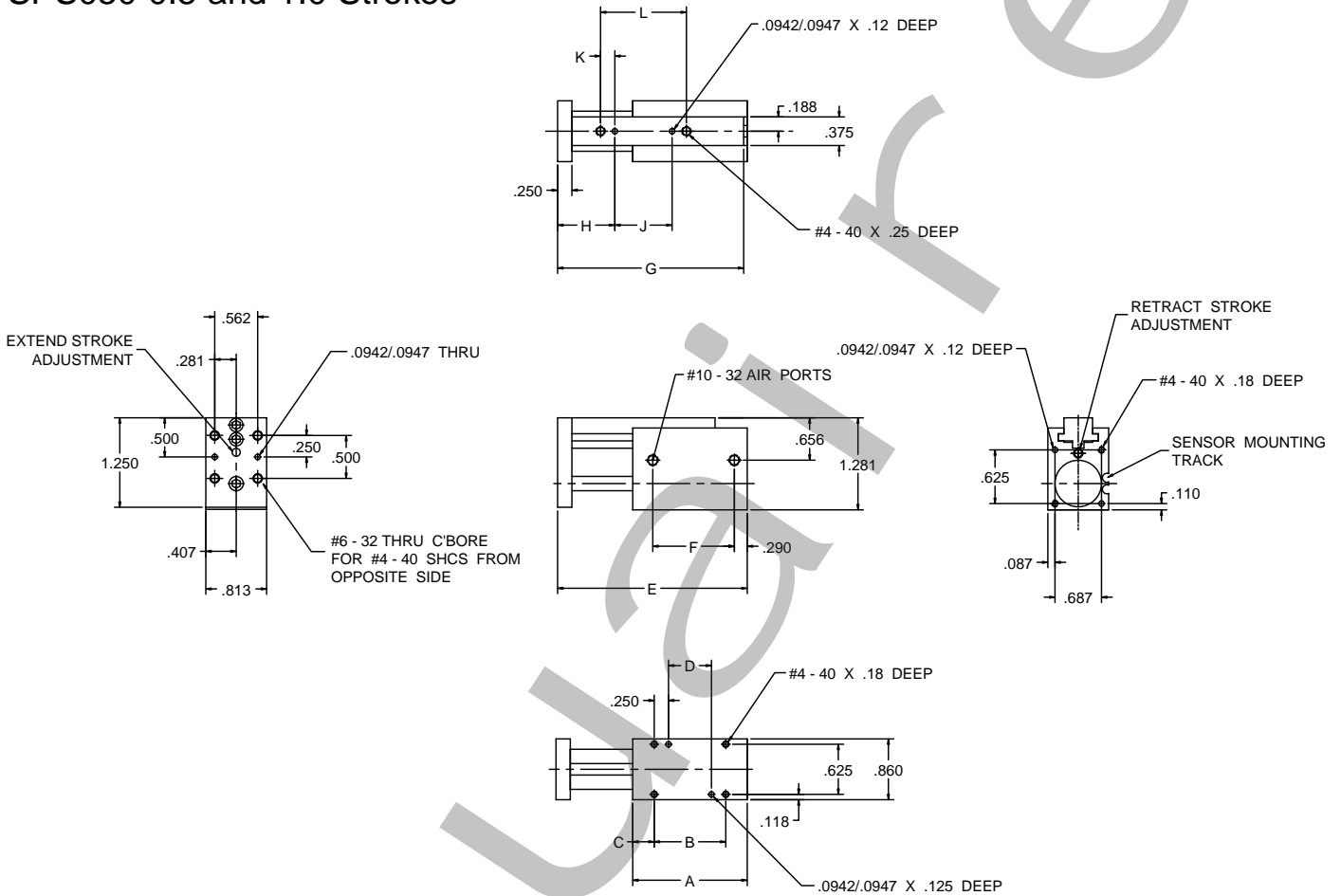
SWITCH DESCRIPTION	STANDARD PART NO.	QUICK DISCONNECT PART NO.
Hall Effect-PNP (Sourcing)	CS-20TP	CS-20TP-QD
Hall Effect-NPN (Sinking)	CS-20TN	CS-20TN-QD



SPS Series
Small Power Slide



SPS050 0.5 and 1.0 Strokes

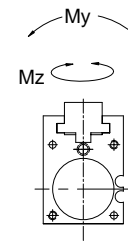
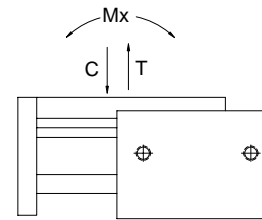


SPS Series Dimensions

	SPS050X5 1/2" STROKE	SPS05001 1" STROKE
A	1.500	2.000
B	0.750	1.250
C	0.375	0.375
D	0.250	0.750
E	2.313	3.313
F	0.910	1.410
G	2.250	3.250
H	0.813	1.000
J	0.750	1.062
K	0.219	0.219
L	1.187	1.500

Specifications

	SPS050X5 1/2" STROKE	SPS05001 1" STROKE
Thrust Force @ 100 psi	19 lbs	19 lbs
Maximum Pressure	120 psi	120 psi
Maximum Stroke	0.5 in	1 in
Stroke Adjustment	0.25 in	0.25 in
Maximum Payload on Tool Plate	2 lbs.	5 lbs.
Cylinder Bore Dia.	.500	0.500
Max. Actuation Speed	12 in/sec	12 in/sec
Repeatability	+/- 0.001	+/- 0.001
Displacement	0.07 cu in	0.15 cu in
Weight	2.9 oz.	3.5 oz.



Static Condition

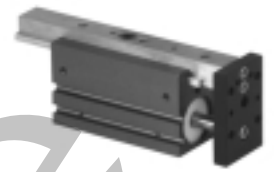
LOAD CAPACITY	SPS050X5 1/2" STROKE	SPS05001 1" STROKE
C-compression	50 lbs.	75 lbs.
T-tension	50 lbs.	75 lbs.
Mx	35 in.-lbs.	60 in.-lbs.
My	30 in.-lbs.	40 in.-lbs.
Mz	30 in.-lbs.	40 in.-lbs.

Dynamic Condition

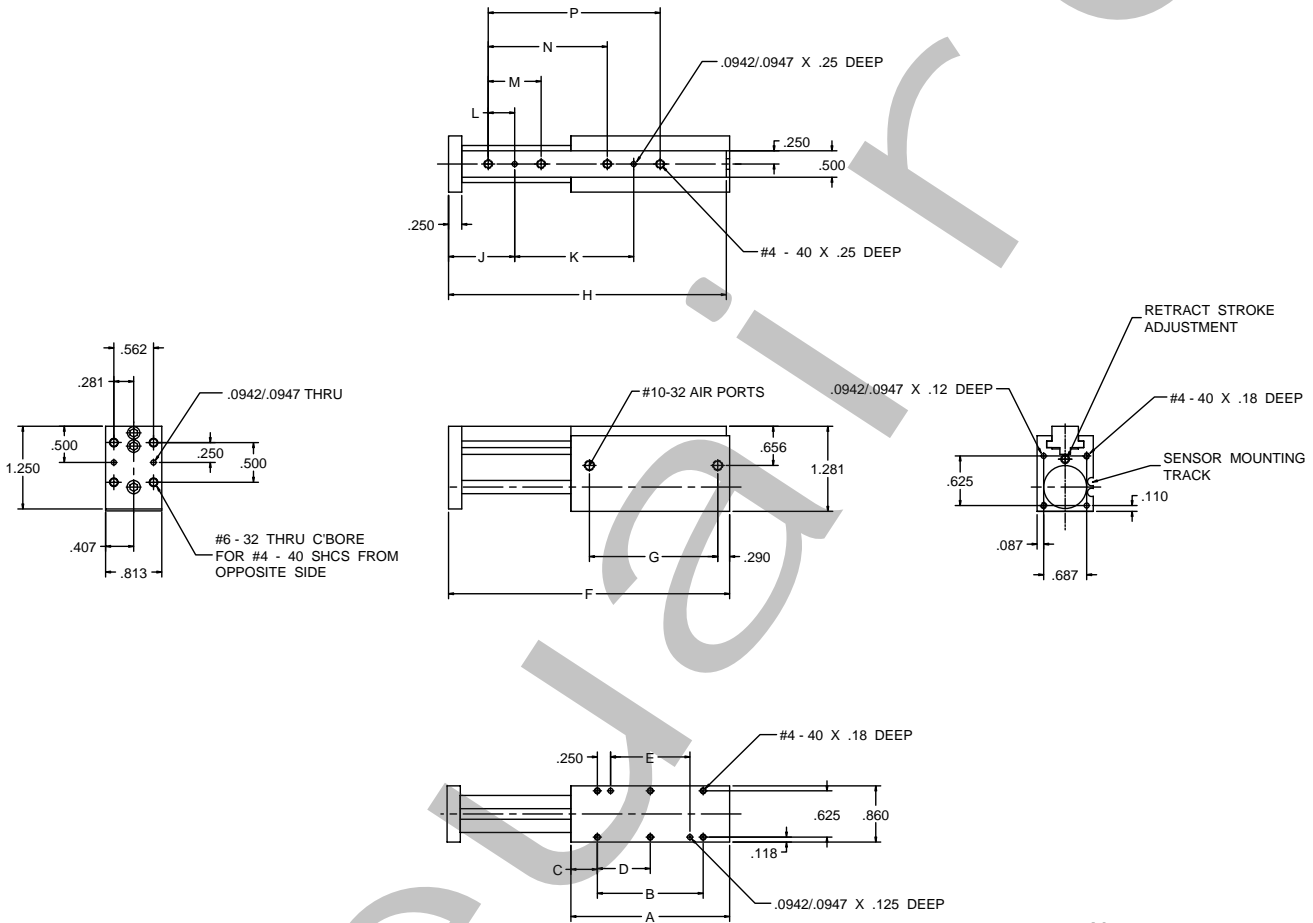
LOAD CAPACITY	SPS050X5 1/2" STROKE	SPS05001 1" STROKE
C-compression	15 lbs.	18 lbs.
T-tension	15 lbs.	18 lbs.
Mx	20 in.-lbs.	25 in.-lbs.
My	15 in.-lbs.	20 in.-lbs.
Mz	15 in.-lbs.	20 in.-lbs.



SPS Series
Small Power Slide



SPS050 1.5 and 2.0 Strokes

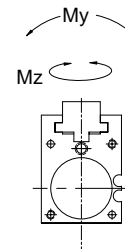
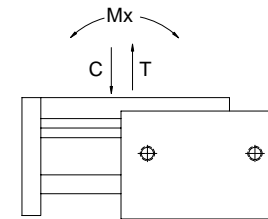


SPS Series Dimensions

	SPS050X9 1 1/2" STROKE	SPS05002 2" STROKE
A	2.500	3.000
B	1.500	2.000
C	0.500	0.500
D	N/A	1.000
E	0.750	1.500
F	4.313	5.313
G	1.910	2.410
H	4.250	5.250
J	1.344	1.250
K	1.187	2.250
L	0.594	0.500
M	1.188	1.000
N	2.375	2.250
P	N/A	3.250

Specifications

	SPS050X9 1 1/2" STROKE	SPS05002 2" STROKE
Thrust Force @ 100 psi	19 lbs	19 lbs
Maximum Pressure	120 psi	120 psi
Maximum Stroke	1.5 in	2 in
Stroke Adjustment	0.5 in	0.5 in
Maximum Payload on Tool Plate	8 lbs.	12 lbs.
Cylinder Bore Dia.	0.500	0.500
Max. Actuation Speed	12 in/sec	12 in/sec
Repeatability	+/- 0.001	+/- 0.001
Displacement	0.22 cu in	0.30 cu in
Weight	4.6 oz.	5.2 oz.



Static Condition

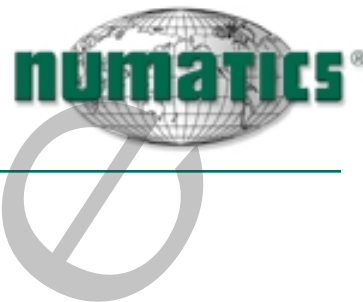
LOAD CAPACITY	SPS050X5 1/2" STROKE	SPS05001 1" STROKE
C-compression	60 lbs.	80 lbs.
T-tension	60 lbs.	80 lbs.
Mx	80 in.-lbs.	100 in.-lbs.
My	45 in.-lbs.	50 in.-lbs.
Mz	45 in.-lbs.	50 in.-lbs.

Dynamic Condition

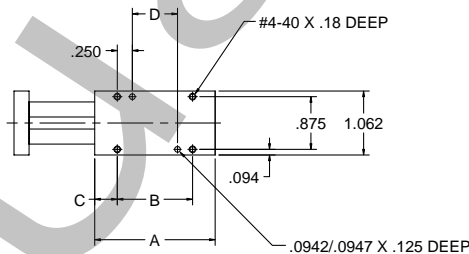
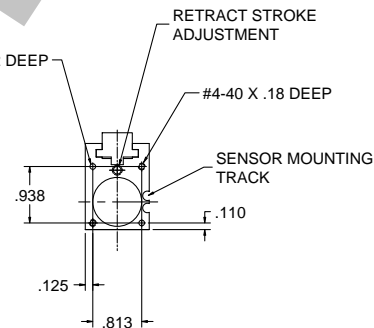
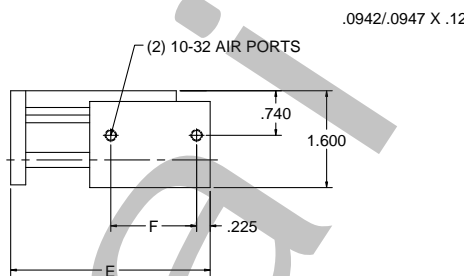
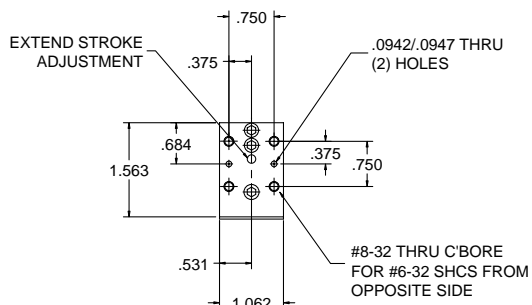
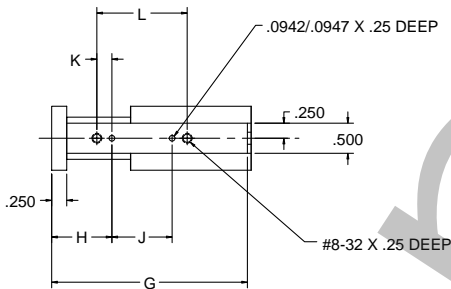
LOAD CAPACITY	SPS050X5 1/2" STROKE	SPS05001 1" STROKE
C-compression	25 lbs.	35 lbs.
T-tension	25 lbs.	35 lbs.
Mx	30 in.-lbs.	40 in.-lbs.
My	25 in.-lbs.	30 in.-lbs.
Mz	25 in.-lbs.	30 in.-lbs.



SPS Series
Small Power Slide



SPS075 0.5 and 1.0 Strokes

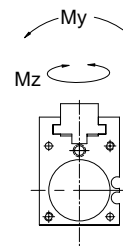
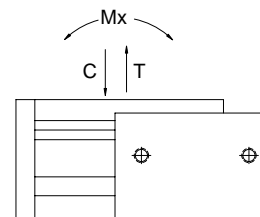


SPS Series Dimensions

	SPS075X5 1/2" STROKE	SPS07501 1" STROKE
A	1.500	2.000
B	0.750	1.250
C	0.375	0.375
D	0.250	0.750
E	2.313	3.313
F	0.925	1.425
G	2.250	3.250
H	0.969	1.000
J	0.500	1.000
K	0.219	0.250
L	0.938	1.500

Specifications

	SPS075X5 1/2" STROKE	SPS07501 1" STROKE
Thrust Force @ 100 psi	44 lbs.	44 lbs.
Maximum Pressure	120 psi	120 psi
Maximum Stroke	0.5 in.	1 in.
Stroke Adjustment	0.25 in.	0.25 in.
Maximum Payload on Tool Plate	7 lbs.	13 lbs.
Cylinder Bore Dia.	0.75	0.75
Max. Actuation Speed	12 in./sec.	12 in./sec.
Repeatability	+/- 0.001	+/- 0.001
Displacement	0.22 cu. in.	0.44 cu. in.
Weight	4.2 oz.	5.6 oz.



Static Condition

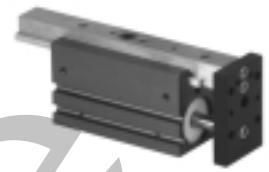
LOAD CAPACITY	SPS050X5 1/2" STROKE	SPS05001 1" STROKE
C-compression	80 lbs.	150 lbs.
T-tension	80 lbs.	150 lbs.
Mx	35 in.-lbs.	70 in.-lbs.
My	30 in.-lbs.	40 in.-lbs.
Mz	30 in.-lbs.	40 in.-lbs.

Dynamic Condition

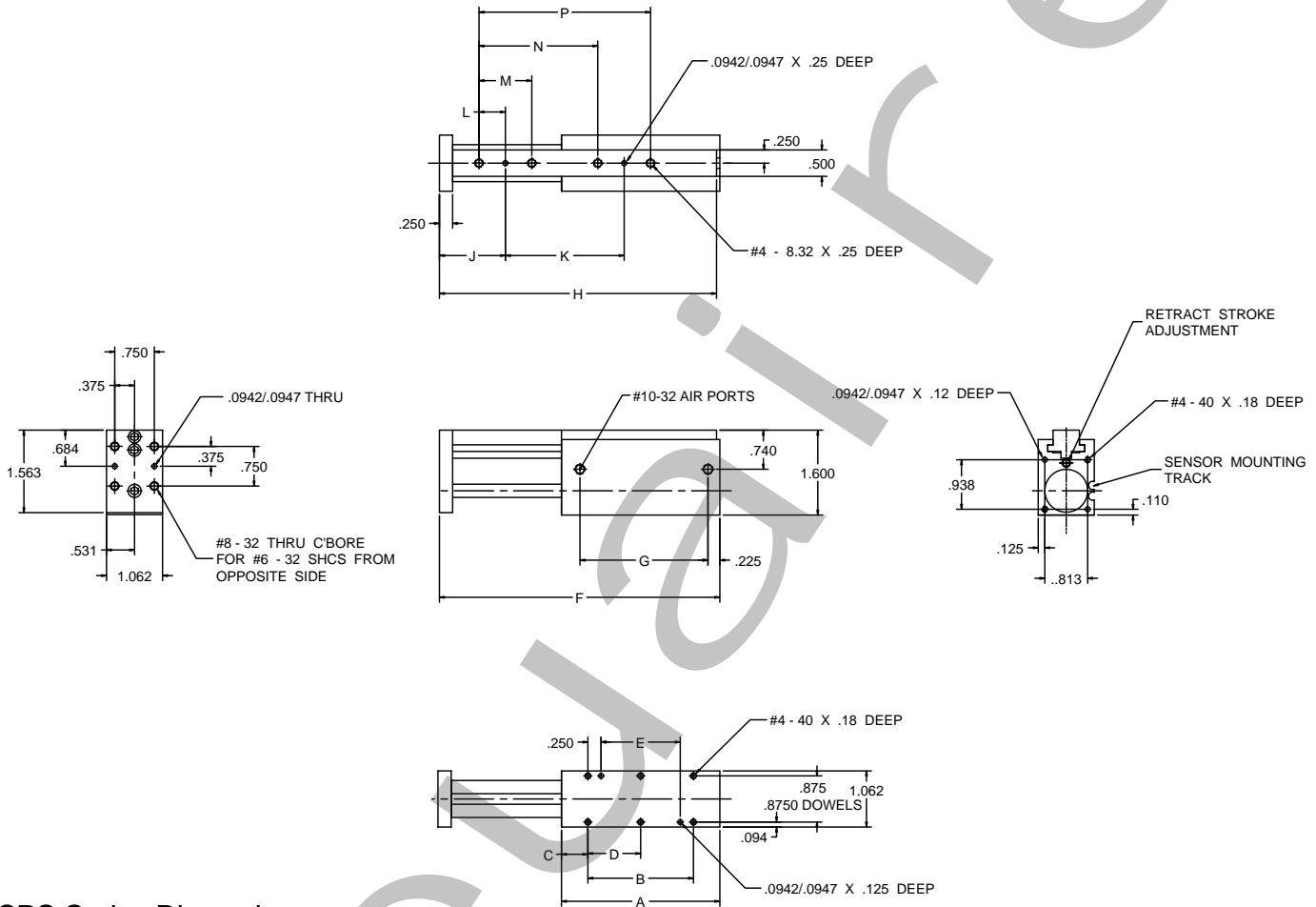
LOAD CAPACITY	SPS050X5 1/2" STROKE	SPS05001 1" STROKE
C-compression	28 lbs.	30 lbs.
T-tension	28 lbs.	30 lbs.
Mx	20 in.-lbs.	25 in.-lbs.
My	15 in.-lbs.	20 in.-lbs.
Mz	15 in.-lbs.	20 in.-lbs.



SPS Series
Small Power Slide



SPS075 1.5 and 2.0 Strokes

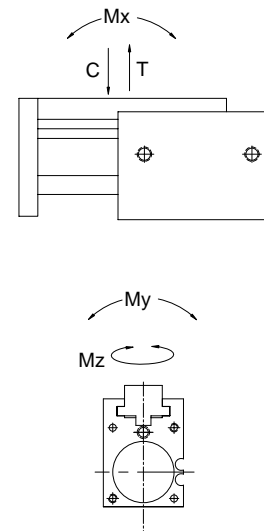


SPS Series Dimensions

	SPS075X9 1 1/2" STROKE	SPS07502 2" STROKE
A	2.500	3.000
B	1.500	2.000
C	0.500	0.500
D	N/A	1.000
E	1.000	1.500
F	4.313	5.313
G	1.925	2.425
H	4.250	5.250
J	1.344	1.250
K	1.187	2.250
L	0.594	0.500
M	1.188	1.000
N	2.375	2.250
P	N/A	3.250

Specifications

	SPS075X9 1 1/2" STROKE	SPS07502 2" STROKE
Thrust Force @ 100 psi	44 lbs.	44 lbs.
Maximum Pressure	120 psi	120 psi
Maximum Stroke	1.5 in.	2 in.
Stroke Adjustment	0.5 in.	0.5 in.
Maximum Payload on Tool Plate	20 lbs.	25 lbs.
Cylinder Bore Dia.	0.75	0.75
Max. Actuation Speed	12 in./sec.	12 in./sec.
Repeatability	+/- 0.001	+/- 0.001
Displacement	0.66 cu. in.	0.88 cu. in.
Weight	6.8 oz.	8.4 oz.



Static Condition

LOAD CAPACITY	SPS050X5 1/2" STROKE	SPS05001 1" STROKE
C-compression	250 lbs.	400 lbs.
T-tension	70 lbs.	90 lbs.
Mx	140 in.-lbs.	140 in.-lbs.
My	70 in.-lbs.	70 in.-lbs.
Mz	70 in.-lbs.	70 in.-lbs.

Dynamic Condition

LOAD CAPACITY	SPS050X5 1/2" STROKE	SPS05001 1" STROKE
C-compression	35 lbs.	35 lbs.
T-tension	35 lbs.	35 lbs.
Mx	40 in.-lbs.	40 in.-lbs.
My	25 in.-lbs.	25 in.-lbs.
Mz	25 in.-lbs.	25 in.-lbs.