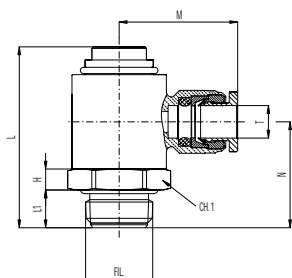




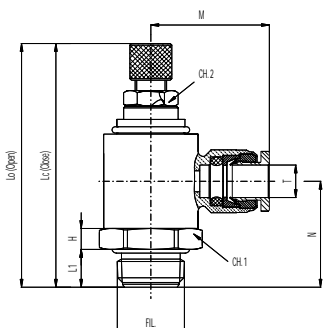
World Thread Flow Controls

INW1391C World Thread Flow Control – Inch Tube



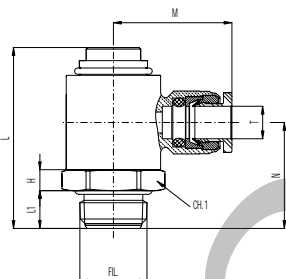
INW1391C	Tube Diameter T	Thread F	L	M	N	L1	CH.1	H
INW1391C-108-020	1/8	1/8	42.4	20.5	24.0	4.9	14	6
INW1391C-532-020	5/32	1/8	42.4	21.0	24.0	4.9	14	6
INW1391C-104-020	1/4	1/8	42.4	21.5	24.0	4.9	14	6
INW1391C-104-021	1/4	1/4	37.5	23.0	23.2	7.2	17	7
INW1391C-516-021	5/16	1/4	37.5	26.0	23.2	7.2	17	7
INW1391C-308-021	3/8	1/4	37.5	27.5	23.2	7.2	17	7
INW1391C-516-022	5/16	3/8	42.2	28.0	26.0	7.6	20	8
INW1391C-308-022	3/8	3/8	42.2	29.5	26.0	7.6	20	8

INW139C World Thread Flow Control with Knob – Inch Tube



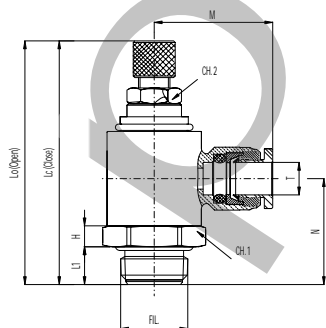
INW139C	Tube Diameter T	Thread F	Lc	Lo	M	N	L1	CH.1	H	CH.2
INW139C-108-020	1/8	1/8	54.5	61.0	20.5	24.0	4.9	14	6	7
INW139C-532-020	5/32	1/8	54.5	61.0	21.0	24.0	4.9	14	6	7
INW139C-104-020	1/4	1/8	54.5	61.0	21.5	24.0	4.9	14	6	7
INW139C-104-021	1/4	1/4	50.0	54.5	23.0	23.2	7.2	17	7	9
INW139C-516-021	5/16	1/4	50.0	54.5	26.0	23.2	7.2	17	7	9
INW139C-308-021	3/8	1/4	50.0	54.5	27.5	23.2	7.2	17	7	9
INW139C-516-022	5/16	3/8	56.8	60.3	28.0	26.0	7.6	20	8	11
INW139C-308-022	3/8	3/8	56.8	60.3	29.5	26.0	7.6	20	8	11

NW1391C World Thread Flow Control – Metric Tube



NW1391C	Tube Diameter T	Thread F	L	M	N	L1	CH.1	H
NW1391C-004-020	4mm	1/8	42.4	20.5	24.0	4.9	14	6
NW1391C-006-020	6mm	1/8	42.4	21.0	24.0	4.9	14	6
NW1391C-006-021	6mm	1/4	37.5	23.0	23.2	7.2	17	7
NW1391C-008-021	8mm	1/4	37.5	26.5	23.2	7.2	17	7
NW1391C-010-021	10mm	1/4	37.5	27.5	23.2	7.2	17	7
NW1391C-008-022	8mm	3/8	42.2	28.0	26.0	7.6	20	8
NW1391C-010-022	10mm	3/8	42.2	29.5	26.0	7.6	20	8

NW139C World Thread Flow Control with Knob – Metric Tube



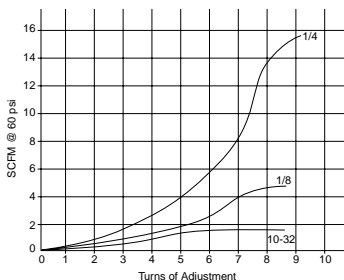
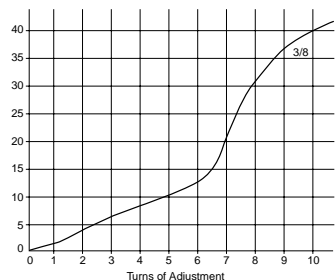
NW139C	Tube Diameter T	Thread F	Lc	Lo	M	N	L1	CH.1	H	CH.2
NW139C-004-020	4mm	1/8	54.5	61.0	20.5	24.0	4.9	14	6	7
NW139C-006-020	6mm	1/8	54.5	61.0	21.0	24.0	4.9	14	6	7
NW139C-006-021	6mm	1/4	50.0	54.5	23.0	23.2	7.2	17	7	9
NW139C-008-021	8mm	1/4	50.0	54.5	26.5	23.2	7.2	17	7	9
NW139C-010-021	10mm	1/4	50.0	54.5	27.5	23.2	7.2	17	7	9
NW139C-008-022	8mm	3/8	56.8	60.3	28.0	26.0	7.6	20	8	11
NW139C-010-022	10mm	3/8	56.8	60.3	29.5	26.0	7.6	20	8	11



Valves and Flow Controls



OEM Flow Controls



Features

Knob adjust, screwdriver adjust

Specifications

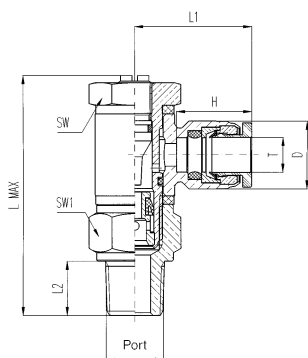
Temperature Range: 0° to 176°F

Maximum Operating Pressure: 265 psi

Materials of Construction

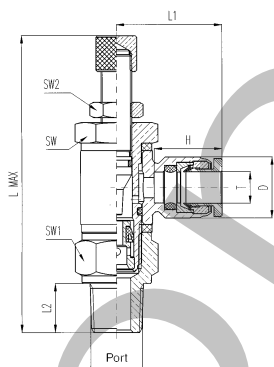
Body: brass-nickel plated; screw: stainless steel; seals: Buna; release button: polyacetal; adjustment needle: brass

IN135C Flow control



MODEL NUMBER	Tube Diameter T	PORTS NPTF	L MAX	L1	DIMENSIONS		D	SW	SW1
					L2	H			
IN135C-108-036	1/8	10-32	.945	0.748	0.217	0.472	0.394	0.315	/
IN135C-108-020	1/8	1/8	1.665	0.748	0.374	0.472	0.394	0.551	0.551
IN135C-532-036	5/32	10-32	.945	0.748	0.217	0.492	0.394	0.315	/
IN135C-532-020	5/32	1/8	1.673	0.795	0.374	0.492	0.394	0.551	0.551
IN135C-104-020	1/4	1/8	1.673	0.881	0.374	0.531	0.472	0.551	0.551
IN135C-104-021	1/4	1/4	2.126	0.890	0.512	0.531	0.472	0.669	0.669
IN135C-308-021	3/8	1/4	2.126	1.067	0.512	0.669	0.709	0.669	0.669
IN135C-308-022	3/8	3/8	2.333	1.220	0.512	0.669	0.709	0.748	0.866

IN136C Flow Control with Knob



MODEL NUMBER	Tube Diameter T	PORTS NPTF	L MAX	L1	DIMENSIONS		D	SW	SW1
					L2	H			
IN136C-108-036	1/8	10-32	1.378	0.748	0.217	0.472	0.394	0.315	/
IN136C-108-020	1/8	1/8	2.283	0.748	0.374	0.472	0.394	0.551	0.551
IN136C-532-036	5/32	10-32	1.378	0.748	0.217	0.492	0.394	0.315	/
IN136C-532-020	5/32	1/8	2.283	0.795	0.374	0.492	0.394	0.551	0.551
IN136C-104-020	1/4	1/8	2.283	0.881	0.374	0.531	0.472	0.551	0.551
IN136C-104-021	1/4	1/4	2.717	0.890	0.512	0.531	0.472	0.669	0.669
IN136C-308-021	3/8	1/4	2.717	1.067	0.512	0.669	0.709	0.669	0.669
IN136C-308-022	3/8	3/8	3.000	1.220	0.512	0.669	0.709	0.748	0.866



Valves and Flow Controls

Flow Controls

Features

Body swivels 360°, provides accurate speed control in a compact size and eliminates need for fitting.

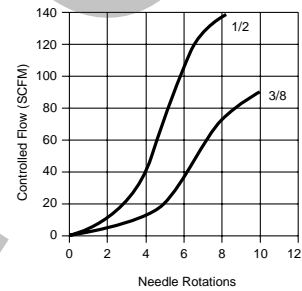
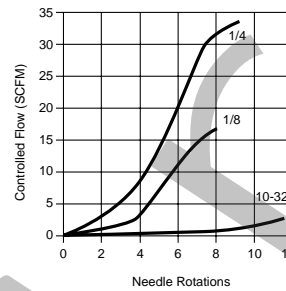
Specifications

Temperature Range: 0° to 160° F

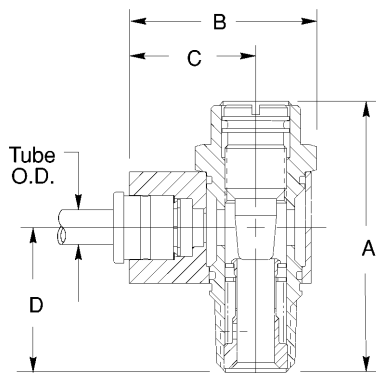
Maximum Operating Pressure: 175 PSIG (12 bar)

Materials of Construction

Body: anodized aluminum; cartridge: nickel plated brass; screw: stainless steel; spring: stainless steel; seals: Buna N

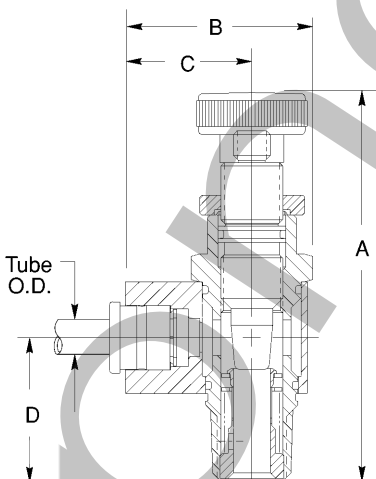


Standard Flow Control (with and without push-in fitting)



PORTS NPTF	WITHOUT PUSH-IN	WITH PUSH-IN	Tube Diameter	T	DIMENSIONS			
					A	B	C	D
10-32	0FCRN	0FPRN4	1/8		.89	.62	.43	.69
		0FPRN5	5/32					
1/8	1FCRN	1FPRN8	1/4		1.46	.98	.65	1.00
		1FPRN5	5/32					
1/4	2FCRN	2FPRN8	1/4		1.78	1.28	.91	1.03
		2FPRN12	3/8					
3/8	3FCRN	3FPRN12	3/8		2.23	1.45	1.02	1.30
		3FPRN16	1/2					
1/2	4FCRN	4FPRN12	3/8		2.82	1.84	1.28	1.40
		4FPRN16	1/2					

Knob Adjust Flow Control (with and without push-in fitting)



PORTS NPTF	WITHOUT PUSH-IN	WITH PUSH-IN	Tube Diameter	T	DIMENSIONS			
					A	B	C	D
10-32	0FCTN	0FPTN4	1/8		1.21	.62	.43	.69
		0FPTN5	5/32					
1/8	1FCTN	1FPTN8	1/4		2.21	.98	.65	1.00
		1FPTN5	5/32					
1/4	2FCTN	2FPTN8	1/4		2.50	1.28	.91	1.03
		2FPTN12	3/8					
3/8	3FCTN	3FPTN12	3/8		3.23	1.45	1.02	1.30
		3FPTN16	1/2					
1/2	4FCTN	4FPTN12	3/8		3.96	1.84	1.28	1.40
		4FPTN16	1/2					

Metric Flow Controls

How to Order

Change "N" to "G" in part number for BSPP Thread or Tube option.

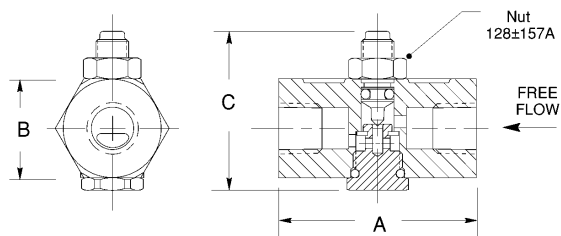
For example, change 0FCTN to 0FCTG or change 0FPTN4 to 0FPTG4.



Valves and Flow Controls

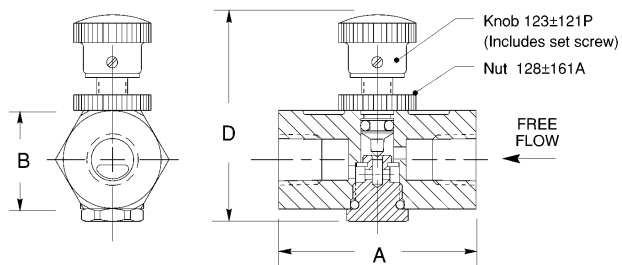


1FC1 Inline Flow controls

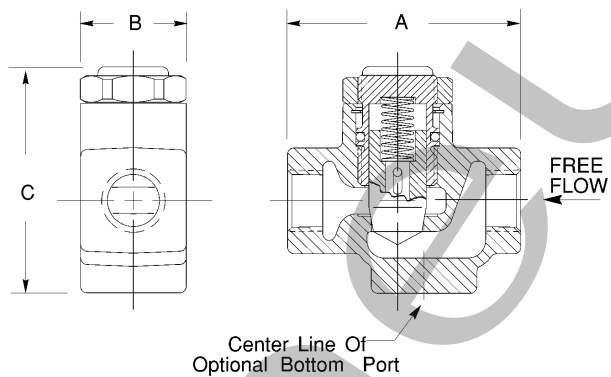


PORTS NPTF	WITHOUT KNURLED KNOB	WITH KNURLED KNOB	Cv	DIMENSIONS			
				A	B	C	D
1/8	1FC1	1FC1K	.22	1.50	.75	1.08	1.66
1/4	2FC1	2FC1K	.22	1.50	.75	1.08	1.66

Optional Knurled Knob (suffix K)



FC2 Inline Flow Controls



PORTS NPTF	WITHOUT BOTTOM PORT	WITH BOTTOM PORT	Cv	DIMENSIONS		
				A	B	C
1/4	2FC2	2FC2B	2.3	2.34	1.06	2.21
3/8	3FC2	3FC2B	2.7	2.34	1.06	2.21

PORTS NPTF	WITHOUT BOTTOM PORT	WITH BOTTOM PORT	Cv	DIMENSIONS		
				A	B	C
1/2	4FC3	4FC3B	6.0	3.28	1.50	3.17
3/4	5FC3	5FC3B	7.5	3.28	1.50	3.17



Valves and Flow Controls

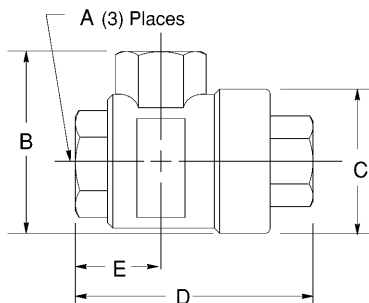
SEV Quick Exhaust Valve

Specifications

Quick exhaust valve, line mounting

Temperature Range: -40° to 165° F

Pressure range: 3.9 to 145 PSI



PORTS NPTF	SEV_BN	DIMENSIONS				
		A	B	C	D	E
1/8	SEV10BN	1/8	1.30	1.10	1.65	0.55
1/4	SEV25BN	1/4	1.58	1.30	2.05	0.71
3/8	SEV38BN	3/8	1.70	1.30	2.16	0.75
1/2	SEV50BN	1/2	2.17	1.69	2.80	1.06
3/4	SEV75BN	3/4	2.45	1.93	3.55	1.42

PORTS G Tap	SEV_	DIMENSIONS (MM)				
		A	B	C	D	E
1/8	SEV10B	G1/8	33	28	42	14
1/4	SEV25B	G1/4	40	33	52	18
1/2	SEV50B	G1/2	55	43	71	27
3/4	SEV75B	G3/4	74	64	90	42
1	SEV100B	G1	88	80	108	48

NOTE: Service parts are available, please consult the factory.

IN530 Slide Valve

Features

The IN530 Slide Valve allows easy isolation of downstream components by dumping circuit pressure.

Specifications

Temperature Range: 0° to 160° F

Maximum Operating Pressure: 150 PSIG (10 bar)

Pipe Sizes: 1/8, 1/4, 3/8 1/2 NPTF

Materials of Construction

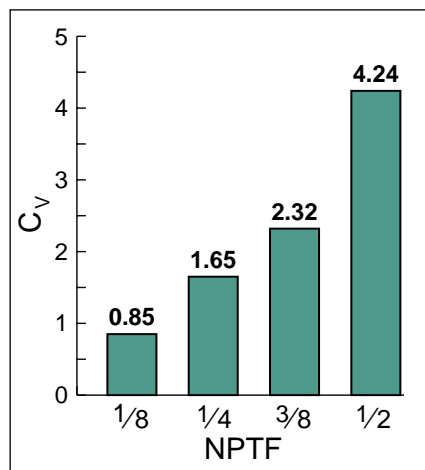
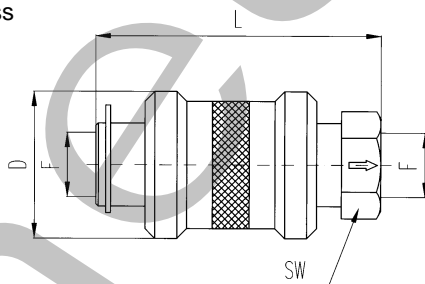
Sleeve: Aluminum

Body: Chrome Plated Brass

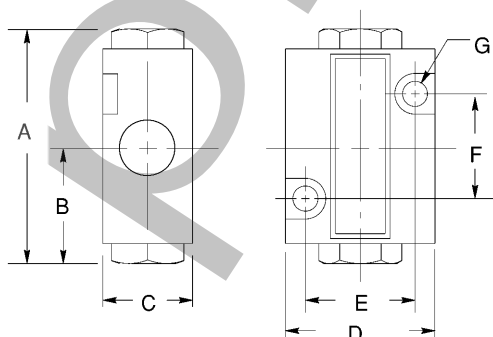
Seal: Buna

Snap Ring: Steel

F NPTF	Part Number	dimensions		
		L	D	SW
1/8	IN530-020-020	1.89	0.98	0.55
1/4	IN530-021-021	2.28	1.18	0.75
3/8	IN530-022-022	2.76	1.38	0.87
1/2	IN530-023-023	3.15	1.57	1.06



OA22-1 Shuttle Valve



Specifications

Temperature Range: -4° to 194° F

Pressure Range: 3.9 to 145 PSI

ports NPTF	OA22-1	dimensions						
		A	B	C	D	E	F	G
1/8	OA22-1	1.93	.95	.75	1.26	.91	.87	.20