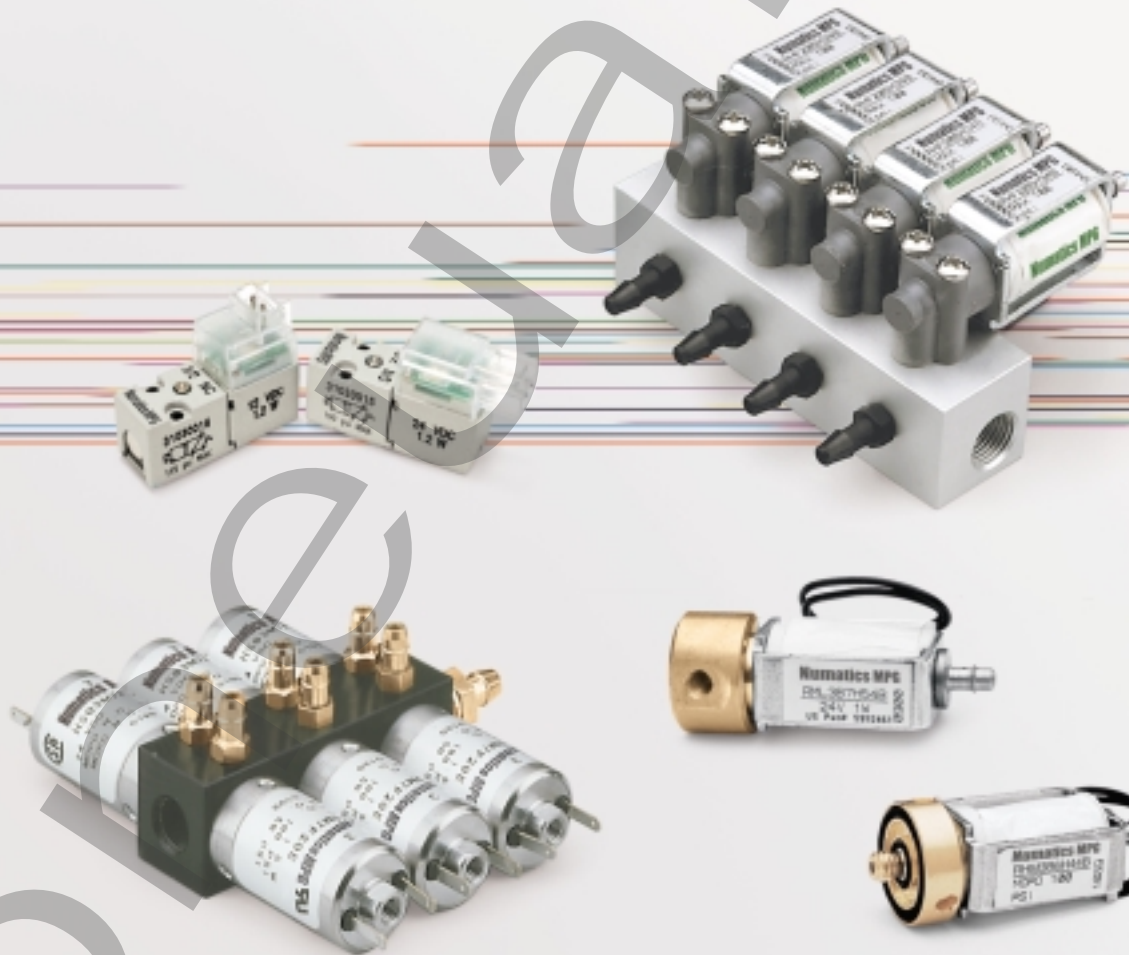




# Valves



## Miniature Pneumatics

*We're everywhere you need us to be!*



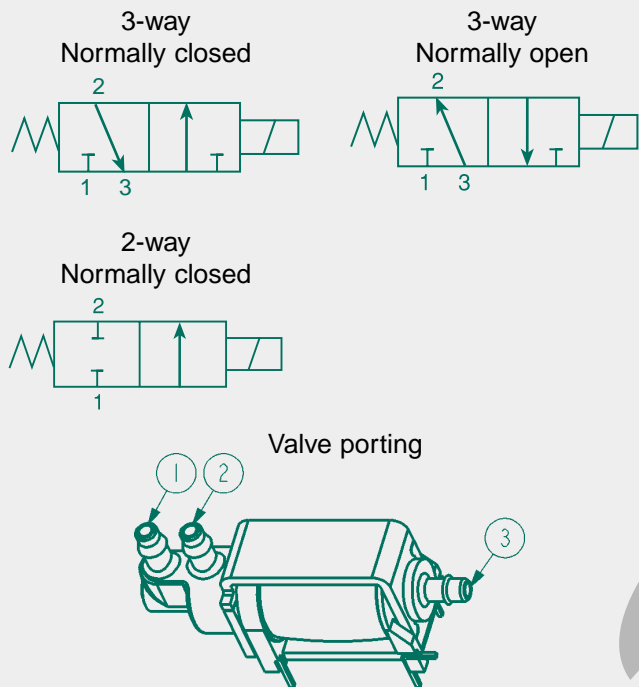
<b>Miniature Valve Series</b> .....	3-14
<b>RB Series</b> .....	3-6
Technical Data .....	3
How to Order .....	4
Dimensions .....	5
Inline Mount Valve .....	6
Manifold Dimensions and Part Numbers .....	6
<b>S Series</b> .....	7-9
Technical Data .....	7
How to Order .....	8
Dimensions .....	8
Manifold Dimensions and Part Numbers .....	9
<b>TM Series</b> .....	10-12
Technical Data .....	10
Electrical Circuit Layout .....	10
How to Order .....	11
Dimensions .....	11
Manifold Dimensions and Part Numbers .....	12
Blanking Station .....	12
<b>S Series Standard Circuit Boards</b> .....	13
<b>Value Added and Custom Assemblies</b> .....	14



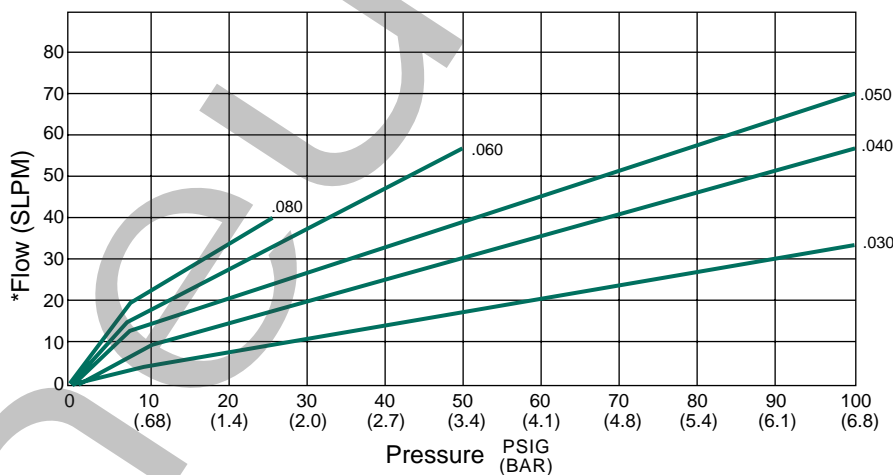
RB Series

RB Series Miniature Valve

- Tested in excess of 500 Million cycles
- Maximum leakage rate: 0.016 SCCM (Bubble Tight)
- Temperature range: -10°F to 150°F (-23°C to 66°C)
- Class "A" Insulated coils
- All valves 100% factory tested
- #26 AWG Teflon insulated lead wires
- Circuit board mountable
- Built in barbed fittings
- 10 m (Micron) filtration recommended
- Response time < 0.010 Seconds
- All valves rated to 28" Hg. Vac
- Oxygen Clean available
- Recommended for use with dry air, lubricated air, vacuum, non-corrosive, non-toxic, non-flammable dry gases.
- Consult factory for other service applications.



Technical Data



.080 orifices are not available in .080 barbed body styles.

\*FLOW: (SLPM) Standard liters per minute Port 1-2 (normally closed)

Note: Flow test are based on average readings and nominal components. All outlets are vented to atmosphere. Results may vary.

VALVE SERIES	WATTAGE	ORIFICE	CV	MAXIMUM PRESSURE	
				BRASS	PLASTIC
RB	0.5 Watt	0.030 (0.75)	0.025	50 psi (3.4)	15 psi (1.0)
RB	0.5 Watt	0.040 (1.0)	0.035	50 psi (3.4)	10 psi (0.68)
RB	0.5 Watt	0.050 (1.25)	0.055	25 psi (1.7)	10 psi (0.68)
RB	1.0 Watt	0.030 (0.75)	0.025	100 psi (6.8)	50 psi (3.4)
RB	1.0 Watt	0.040 (1.0)	0.035	50 psi (3.4)	50 psi (3.4)
RB	1.0 Watt	0.050 (1.25)	0.055	50 psi (3.4)	35 psi (2.4)
RB	2.0 Watt	0.030 (0.75)	0.025	100 psi (6.8)	100 psi (6.8)
RB	2.0 Watt	0.040 (1.0)	0.035	100 psi (6.8)	70 psi (4.8)
RB	2.0 Watt	0.050 (1.25)	0.055	100 psi (6.8)	70 psi (4.8)
RB	2.0 Watt	0.060 (1.5)	0.060	50 psi (3.4)	50 psi (3.4)
RB	2.0 Watt	0.080 (2.0)	0.080	25 psi (1.7)	25 psi (1.7)

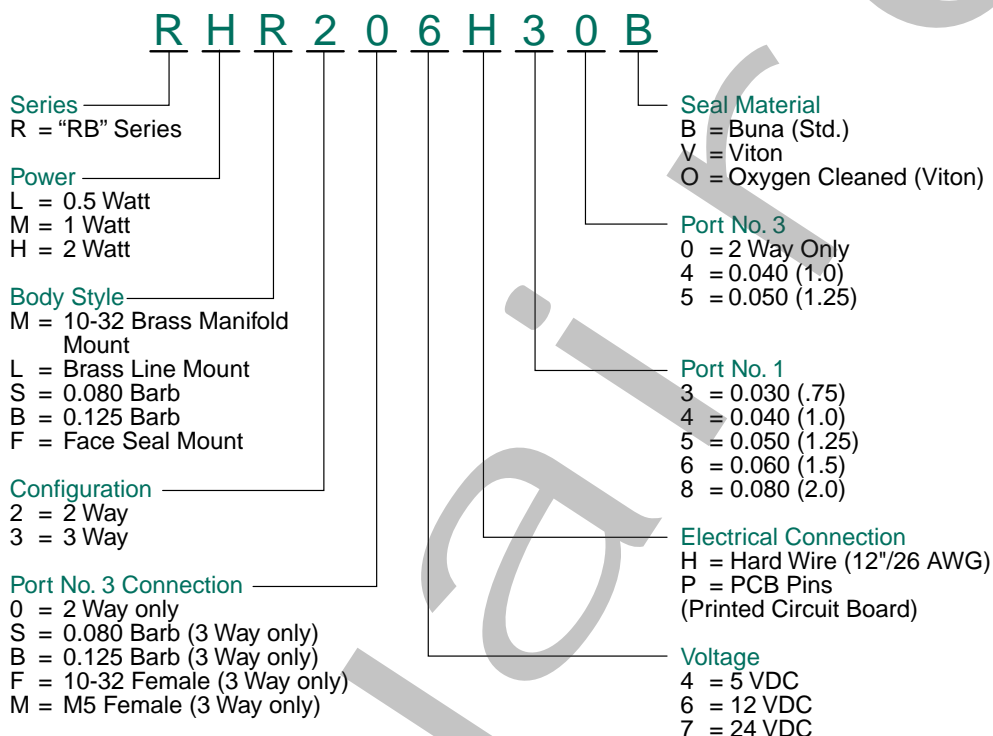
For other pressure ranges and orifice sizes please contact factory

Numbers in parentheses ( ) equivalent to Millimeters or BAR where applicable.



RB Series

How to Order



Consult chart (page 7) for allowable combinations of wattage, orifice sizes, and pressure range.

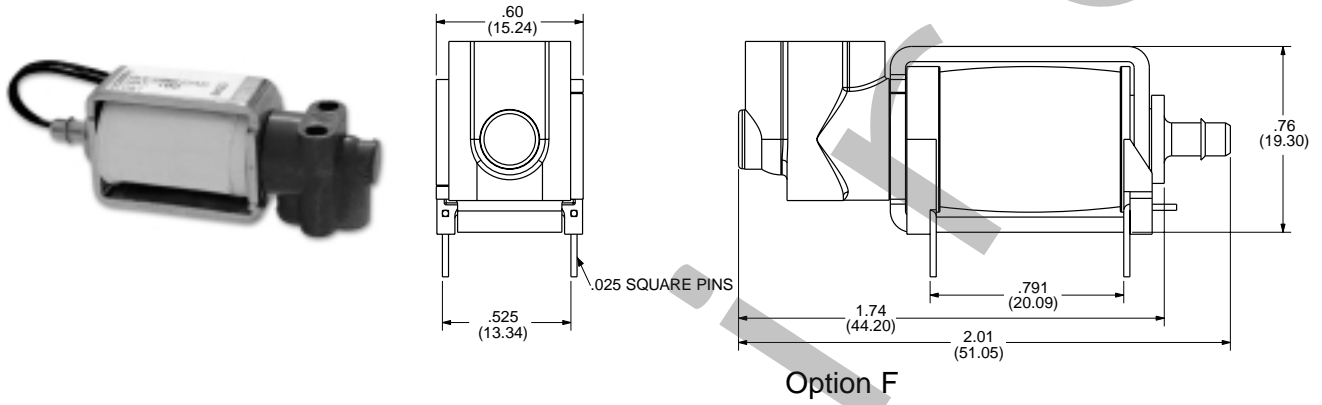


RB Series

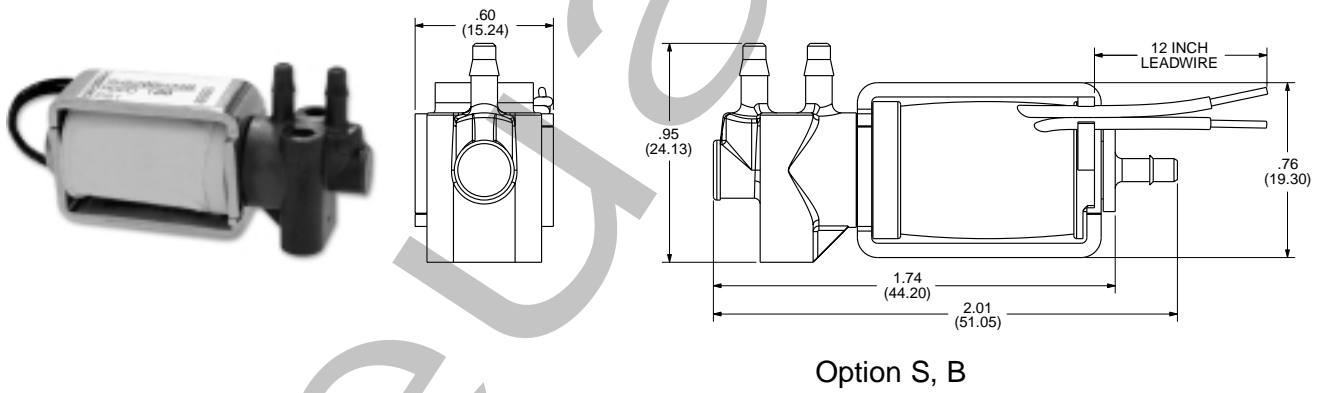


Dimensions

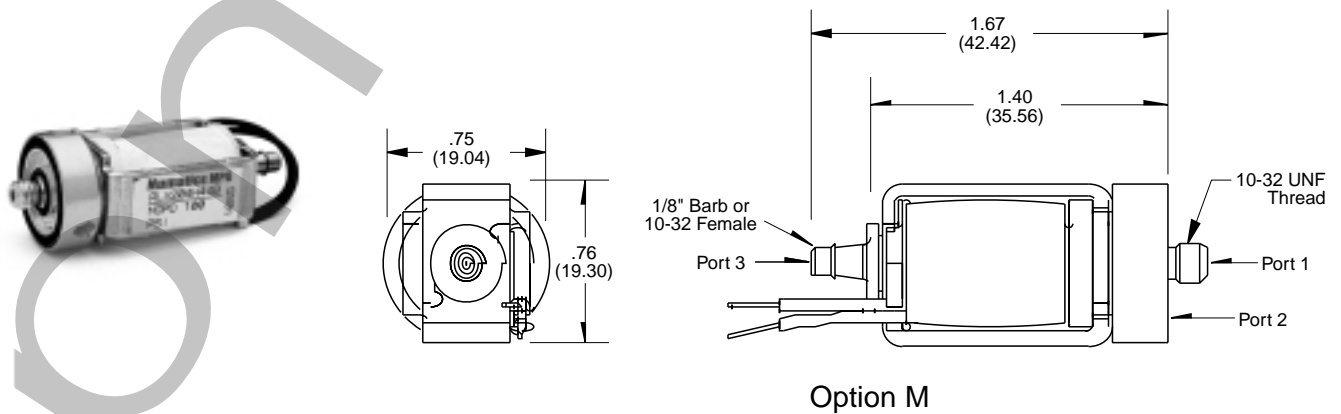
Face Seal RB Valve Dimensions



Body Ported RB with Mounting Holes



RB Manifold Mount Valve



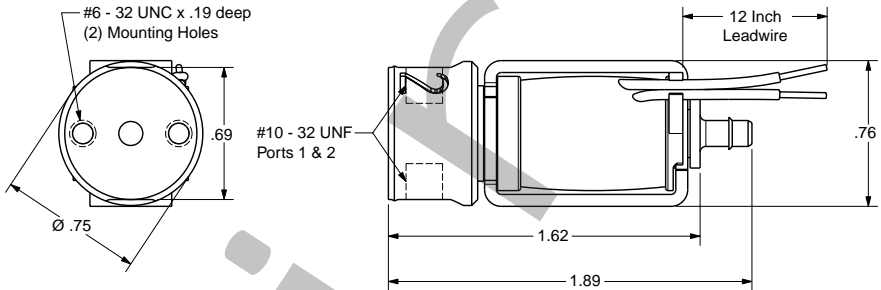
Manifold Dimensions / Part Numbers (Manifold Mount)  
See "S" Series Section

Numbers in parentheses ( ) equivalent to Millimeters or BAR where applicable.



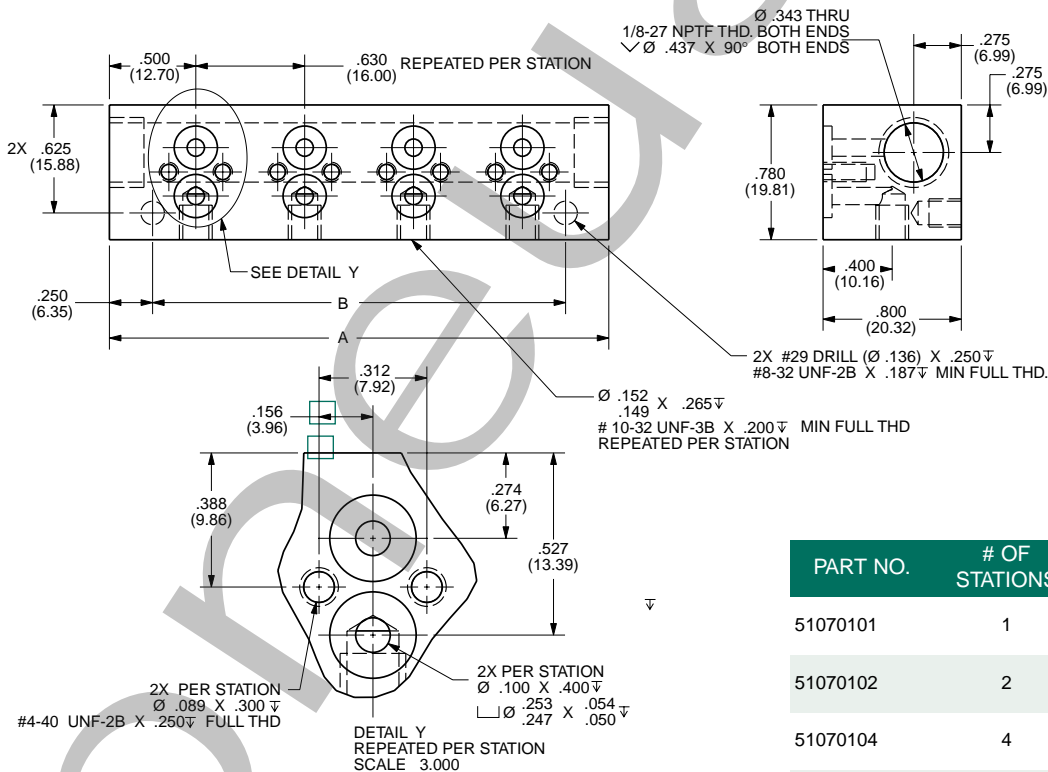
RB Series

Inline Mount Valve



Option L

Manifold Dimensions and Part Numbers (Face Seal Mount)



PART NO.	# OF STATIONS	A	B
51070101	1	1.00 (25.4)	0.50 (12.7)
51070102	2	1.63 (41.4)	1.13 (28.7)
51070104	4	2.89 (73.4)	2.39 (60.7)
51070106	6	4.15 (105.4)	3.65 (92.7)
51070108	8	5.41 (137.4)	4.91 (124.7)
51070110	10	6.67 (169.4)	6.17 (156.7)
51070112	12	7.93 (201.4)	7.43 (188.7)

Numbers in parentheses ( ) equivalent to Millimeters or BAR where applicable.