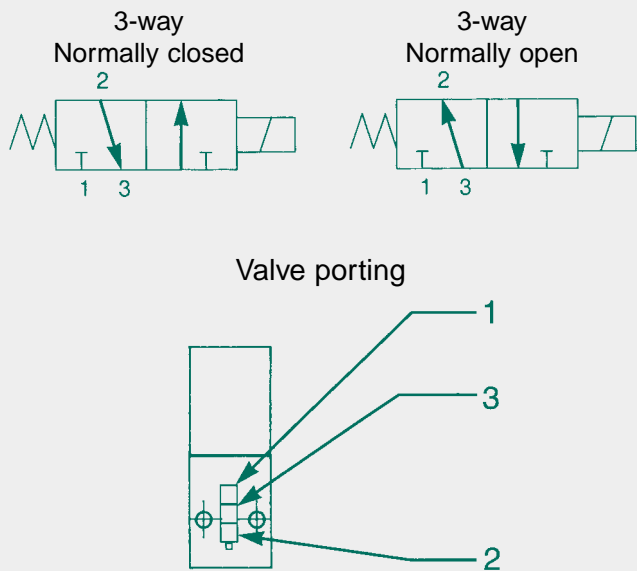




TM Series



“TM” Ten Millimeter Miniature Valve

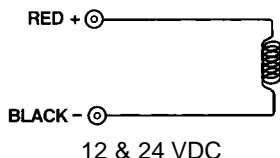
- Tested in excess of 200 Million cycles
- Maximum leakage rate: 0.016 SCCM (Bubble Tight)
- Epoxy Impregnated, Nylon Encapsulated Class “F” continuous duty (ED 100%)
- All valves 100% factory tested
- Circuit board mountable
- All valves rated to 28" Hg. Vac
- Oxygen Clean available
- Female locking connector or hardwire leads available

Technical Data

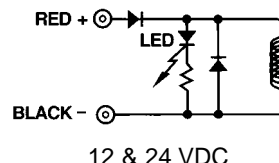
Flow Capacity:	Standard Cv 0.0100
	Quick Exhaust Cv 0.0137
Operating Pressure:	Vacuum to 100 PSIG (6.9 Bar)
Operating Temperature:	23° F to 120° F (-5° C to 50° C)
Fluid Temperature:	32° F to 120° F (0° C to 50° C)
Voltage:	12 and 24 VDC
Power:	1.2 Watt (1.35-Watt w/LED)
Response Time:	< .010 Seconds
Filtration:	10 m (Micron) recommended
Wire Gauge:	#24 AWG Teflon Insulated lead wires
Seal Material:	Viton
Service:	Recommended for use with dry air, lubricated air, vacuum, non-corrosive, non-toxic, non-flammable dry gases. Consult factory for other service applications.

Electrical Circuit Layout

Hardwire Circuit Board Mountable Coils



“up” & “out” Coils

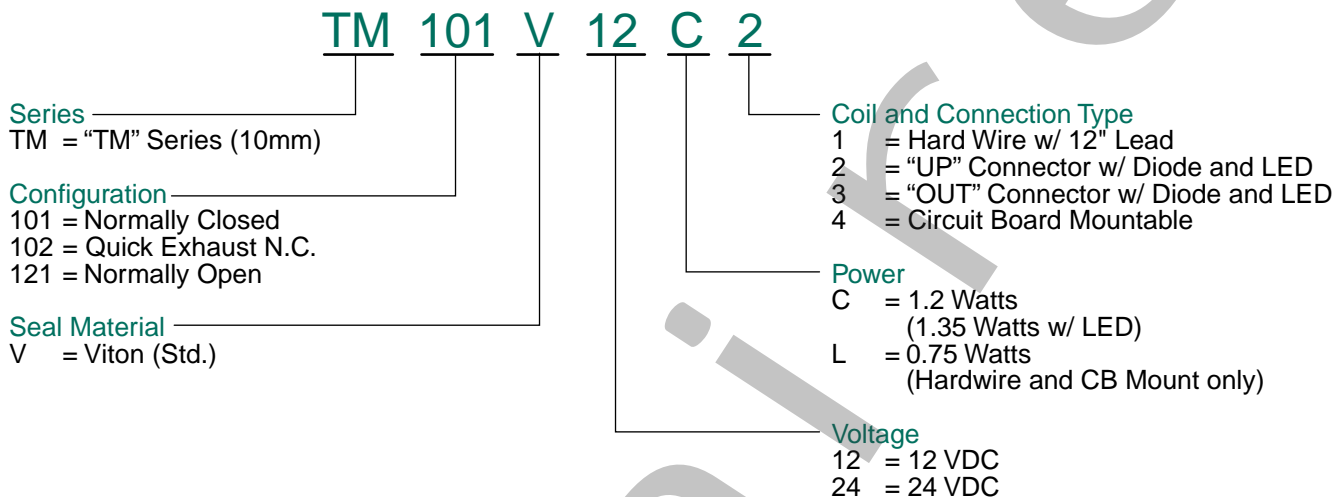




TM Series

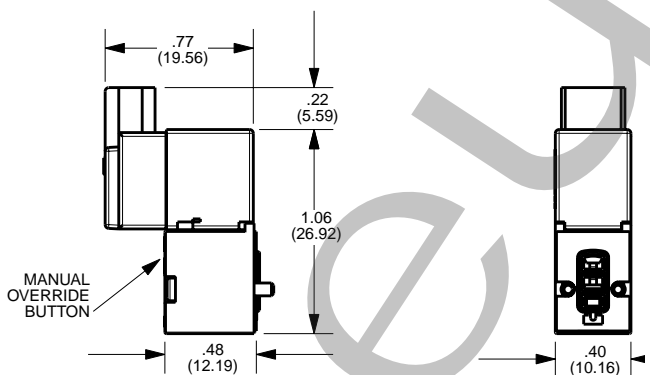


How to Order

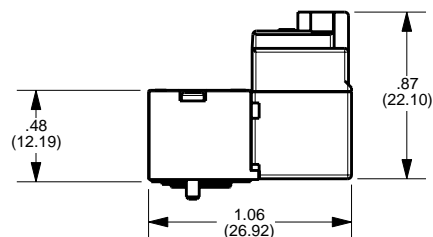


Dimensions

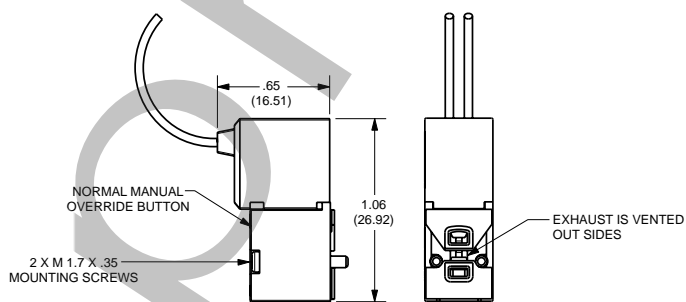
Straight/Out Coil  
with Normally Closed Valve



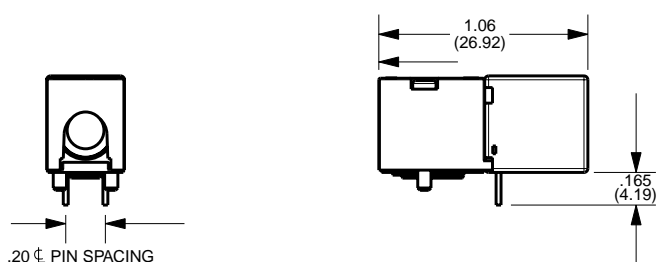
Right Angle/Up Coil



Hardwire Coil  
with Quick Exhaust Valve



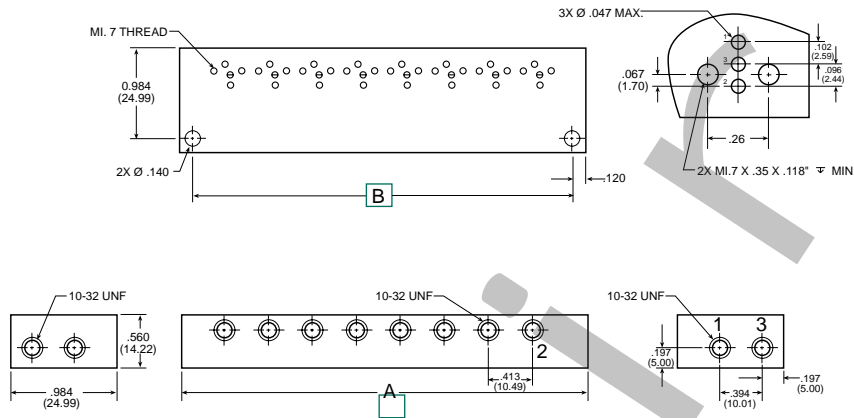
Circuit Board Mountable Coil





TM Series

Manifold Dimensions and Part Numbers



Manifold Sub Base Overall Dimensions

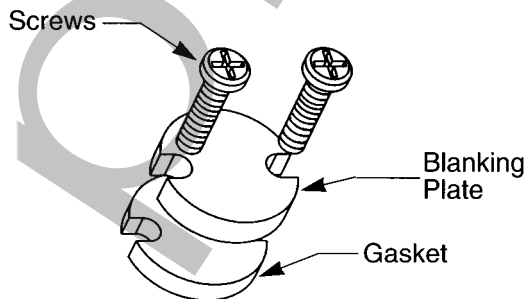
PART NO.	# OF STATIONS	A	B
51030101	1	0.91 (23.1)	0.67 (17.0)
51030102	2	1.32 (33.5)	1.08 (27.4)
51030104	4	2.15 (54.6)	1.91 (48.5)
51030106	6	2.97 (75.4)	2.74 (69.6)
51030108	8	2.97 (75.4)	2.74 (69.6)
51030110	10	4.63 (117.6)	4.39 (111.5)
51030112	12	5.45 (138.4)	5.22 (132.6)

Numatics Miniature Pneumatic Group will assemble valves on manifolds upon request. To specify, add ASM to the end of the manifold part number. Valves are specified separately.

For example: A 4 station assembly

Part#	Qty
51030104ASM	1
TM101V12C1	4

Blanking Station



Mating Connector Assembly for "out" and "up" coils.

TM10- XX

Part #	Wire Length
TM10- <u>12</u>	12" (300mm)
TM10- <u>24</u>	24" (600mm)
TM10- <u>40</u>	40" (1000mm)

\*Part Number 31030005