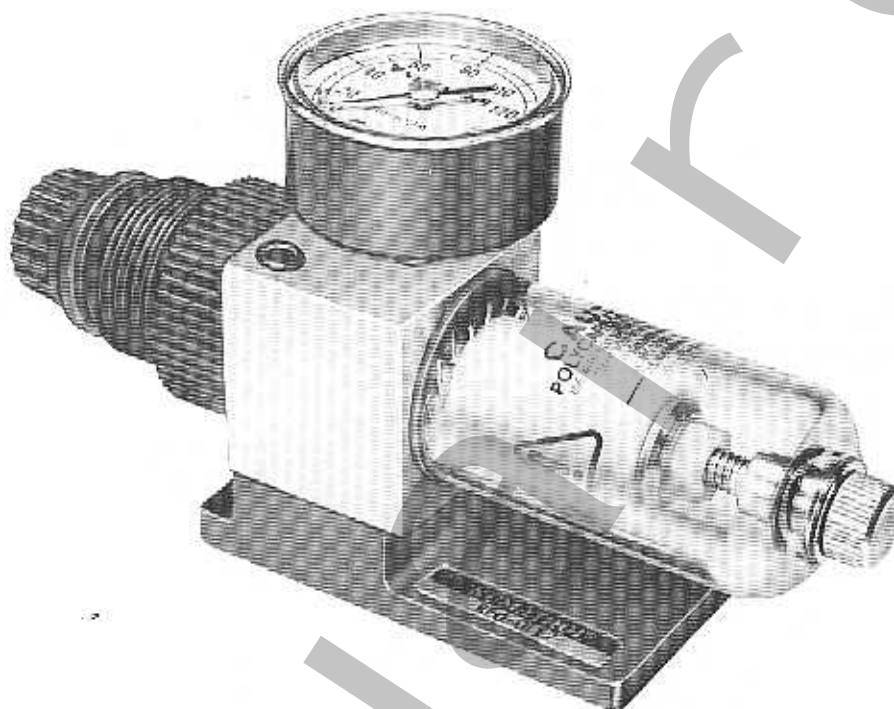


# SERIES RFO REGULATOR-FILTER ASSEMBLY

**NUMATROL® II**  
PRODUCT OF NUMATICS, INC.



## SPECIFICATIONS

The Series RFO regulator-filter unit consists of a pressure regulator and a filter mounted on a common subplate. Air passes through the regulator first and then through the filter. The regulator-filter is intended to be used downstream from the Numatrol II SCO primary and coalescing filters. The use of a common subplate frees a cabinet mounting location for other Numatrol II components.

The RFO unit regulates the incoming air down to the required system pressure (50 psig). The filter receives the air from the regulator and filters it AS IT EXPANDS into the filter bowl. The sudden expansion of the air through the regulator causes oil particles to gather into larger drops which can then be trapped by the filter element. In addition, the cooling of the air may drop out additional water vapor. This regulator-filter action provides additional protection which could not be produced otherwise.

The pure white filter element provides a visual check on the condition of the primary filter. When the secondary filter element becomes discolored, it is time to change both filter units. Subbase mounting permits easier maintenance. Note that the gage is installed in the filter outlet port, and indicates the actual pressure being furnished to the system.

## OPERATING DATA

### PRESSURE RANGE:

Primary - 250 PSIG maximum.

Secondary - 5 to 60 PSIG or 10 to 120 PSIG.

TEMPERATURE RANGE: +40°F to +120°F ambient.

GAGE (All Regulators): 0 to 160 PSIG.

FILTRATION RATING: Filter element is white cellulose fiber with resin bonding. It will remove all particles larger than 3 microns. Both this element and the standard SCO element upstream should be replaced at the first sign of discoloration.

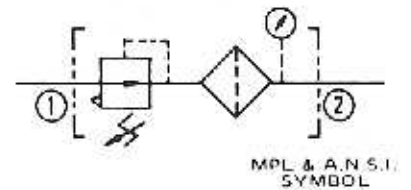
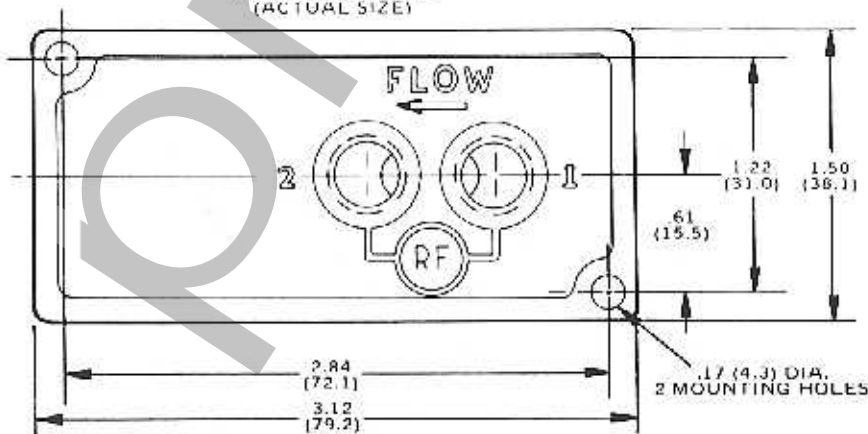
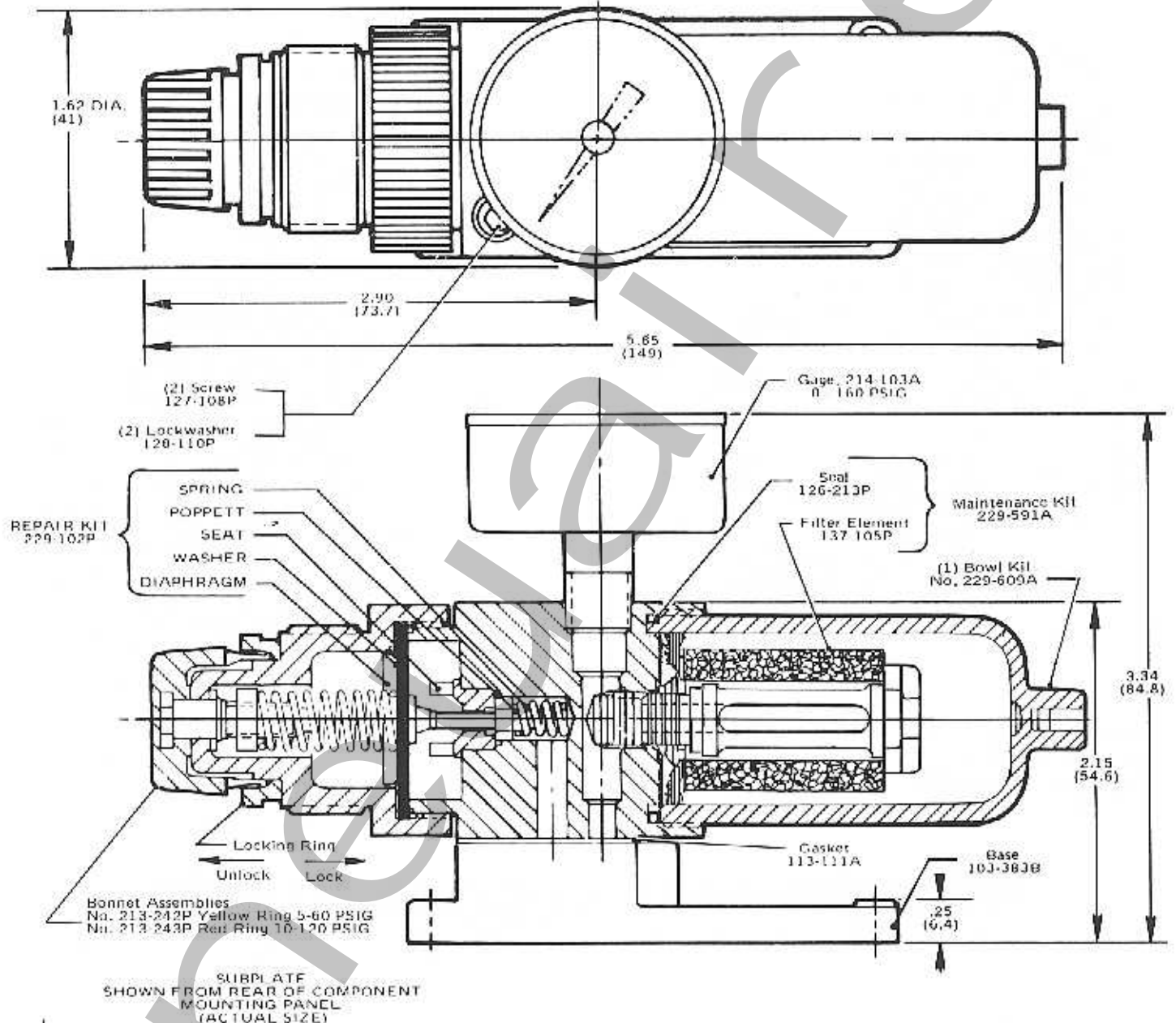
## MODEL SELECTION CHART

MODEL	DESCRIPTION
RFO-1010	Regulator-filter unit only, no subbase, with gage 5 - 60 PSIG (Yellow Ring)
RFO-1011	Regulator-filter unit only, no subbase, with gage 10 - 120 PSIG (Red Ring)
RFO-1111	Regulator-filter with subbase and gage, 5 - 60 PSIG (Yellow Ring)
RFO-1112	Regulator-filter with subbase and gage, 10 - 120 PSIG (Red Ring)
NOTE: Regulator-filter units only include screws and base gasket.	

# NUMATROL® III

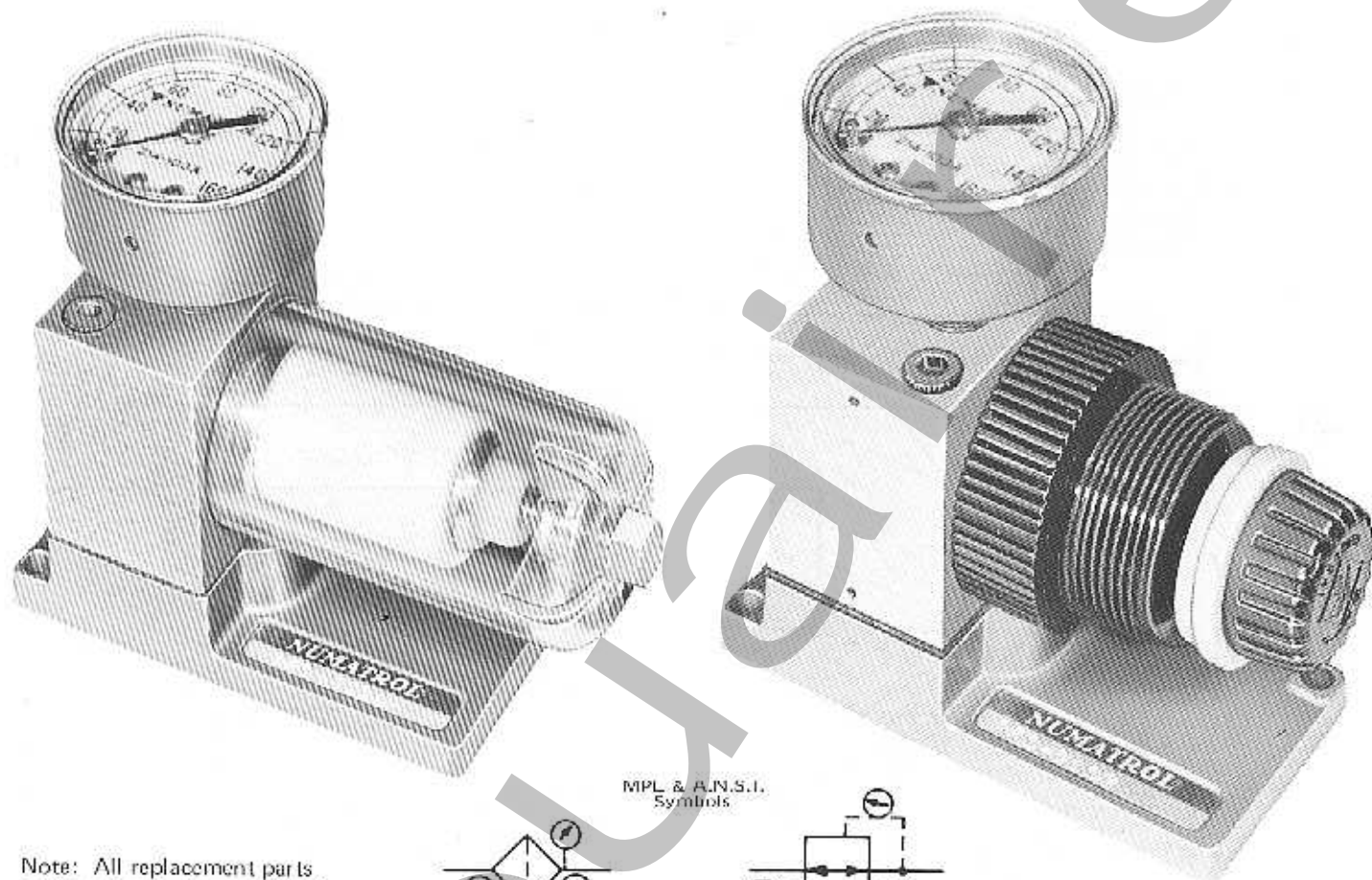
PRODUCT OF NUMATICS, INC.

Top Dimension - Inches  
Bottom Dimension (In Parentheses) - Millimeters

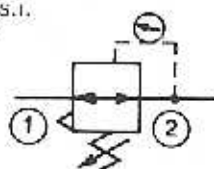


# INDIVIDUAL RFO SERIES REGULATORS and FILTERS

**NUMATROL® III**  
PRODUCT OF NUMATICS, INC.



MPL & A.N.S.I.  
Symbols



Note: All replacement parts are identical to the combination filter-reg. assy's. shown on the preceding page.

### MODEL SELECTION CHART

NUMBER	DESCRIPTION
RFO-0002	0-60 PSIG Regulator unit only, no subbase, with gage
RFO-0003	0-120 PSIG Regulator unit only, no subbase, with gage
RFO-0005	0-60 PSIG Regulator unit only, no subbase, no gage
RFO-0006	0-120 PSIG Regulator unit only, no subbase, no gage
RFO-0107	0-60 PSIG Regulator with subbase and gage
RFO-0108	0-60 PSIG Regulator with subbase, no gage
RFO-0109	0-120 PSIG Regulator with subbase and gage
RFO-0110	0-120 PSIG Regulator with subbase, no gage
RFO-1001	Filter unit only, no subbase or gage
RFO-1004	Filter unit only, no subbase, with 0-160 PSIG gage
RFO-1103	Filter with subbase and 0-160 PSIG gage
RFO-1104	Filter with subbase, no gage

NOTE: Regulator and filter units only include screws and base gasket.