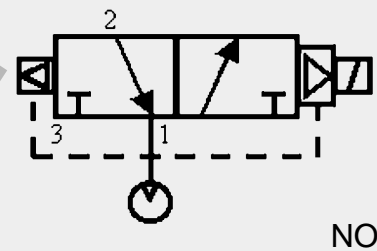
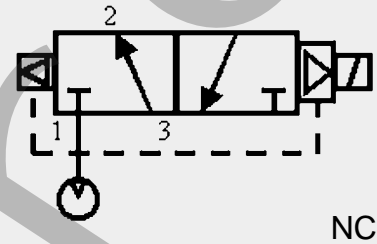
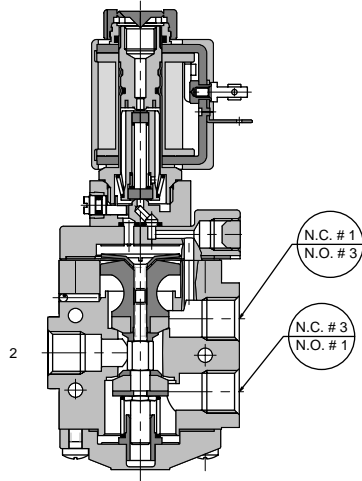




Poppet Valves NAG Series

Solenoid Pilot Vacuum Valves - 1/4" to 3/8"

- 3-way design
- Use with air or neutral gases
- Internal vacuum pilot operated
- AC/DC Voltages available



Technical Data

PORTS (NPTF)	1/4"	3/8"
Cv	1.8	2
Operating Vacuum Range	5.9" - 29.9" of Hg (150 - 759.5 mm of Hg)	
Temperature Range	23°F to +122°F ambient (-5°C to +50°C ambient)	
Coil Type	U2 Series Coil	

Operating Data

VOLTAGE	12VDC	24VDC	110 VAC 50-60Hz	220 VAC 50-60Hz
Power Consumption	11W	11W	max 10VA	max 10VA
In-rush Current	11W	11W	max 16VA	max 16VA

Plug Specifications: NEMA 4, IP 65 with plug-in connector  
Solenoid Rating: Continuous Duty



RESPONSE TIME (SECONDS)	ENERGIZE	DE-ENERGIZE
1/4" & 3/8" (NC)	0.025	0.016
1/4" & 3/8" (NO)	0.020	0.014

NC: normally closed NO: normally open

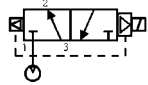
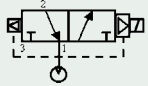
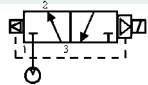
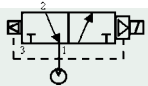


Poppet Valves NAG Series

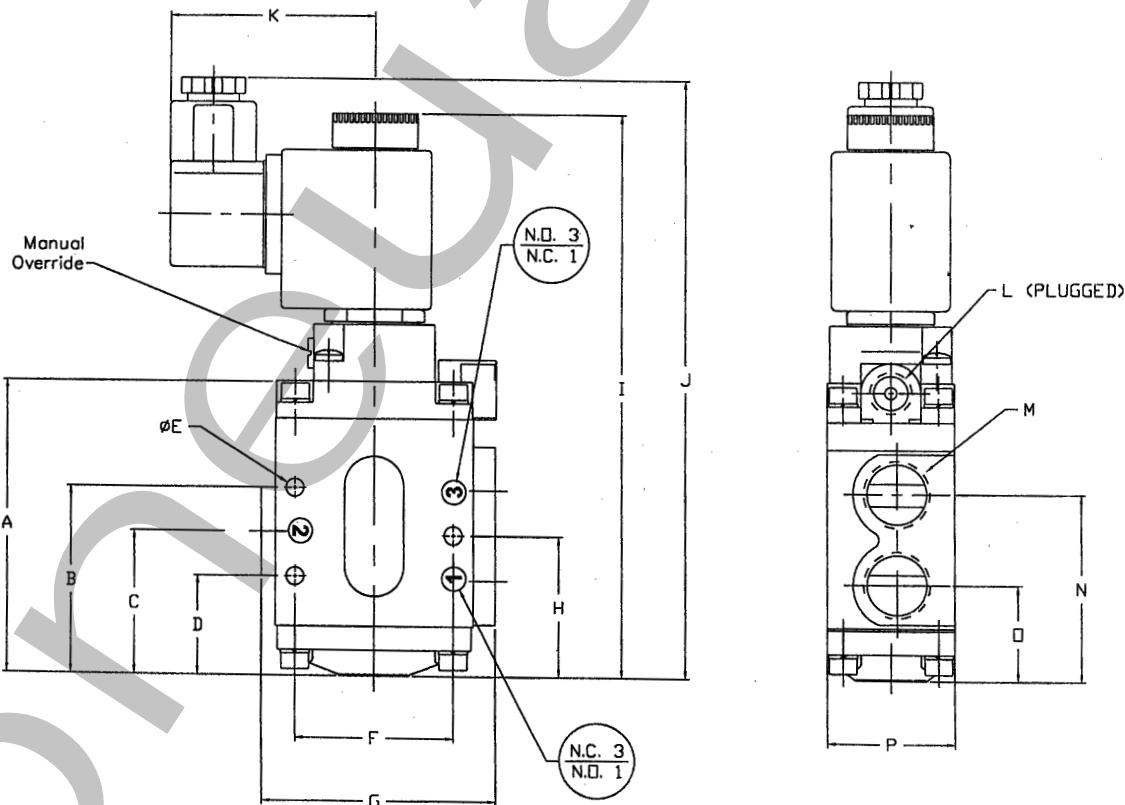


1/4" to 3/8" Model Selection for Solenoid Pilot Vacuum Valves

How To Order

NPTF PORT SIZE	TYPE	WITH MANUAL OVERRIDE			
		24VDC	12VDC	110 V, 50-60 Hz	220 V, 50-60 Hz
1/4"	 (NC)	NAG321004N000F	NAG321004N000D	NAG321002N000P	NAG321002N000V
1/4"	 (NO)	NAG321104N000F	NAG321104N000D	NAG321102N000P	NAG321102N000V
3/8"	 (NC)	NAG321404N000F	NAG321404N000D	NAG321402N000P	NAG321402N000V
3/8"	 (NO)	NAG321504N000F	NAG321504N000D	NAG321502N000P	NAG321502N000V

1/4" to 3/8" Dimensions for Solenoid Pilot Vacuum Valves



1/4" & 3/8" NPT Dimensions

A	B	C	D	E	F	G	H	I	J	K	L	M	N	O	P
2.913 (74.0)	1.850 (47.0)	1.417 (36.0)	0.984 (25.0)	0.177 (4.5)	1.575 (40.0)	2.362 (60.0)	1.398 (35.5)	5.531 (140.5)	5.906 (150.0)	2.028 (51.5)	1/8" NPT	1/4" or 3/8" NPT	1.850 (47.0)	0.945 (24.0)	1.260 (32.0)

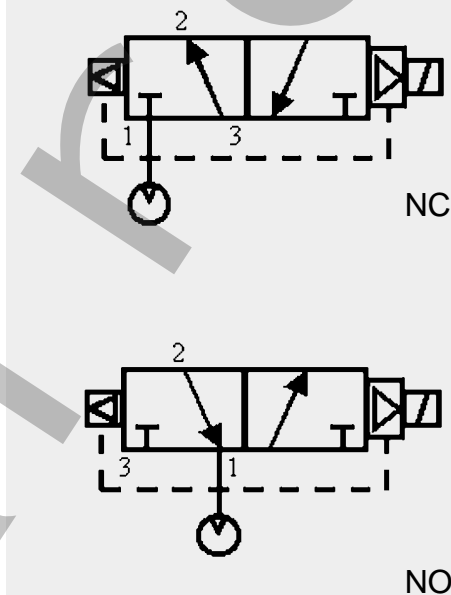
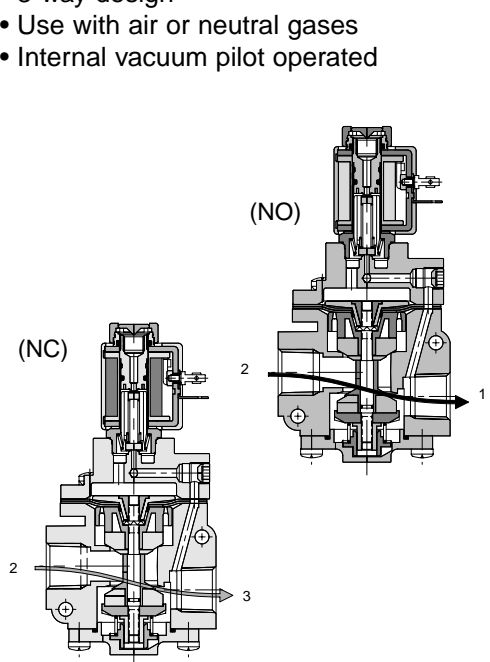
Dimensions = inches  
(in parentheses) = mm



## Poppet Valves NAG Series

### Solenoid Pilot Vacuum Valves - 1/2" to 1-1/2"

- 3-way design
- Use with air or neutral gases
- Internal vacuum pilot operated



### Technical Data

PORTS (NPTF)	1/2"	3/4"	1"	1-1/2"
Cv	5	5.6	8.8	24
Operating Vacuum Range	5.9" - 29.9" of Hg (150 - 759.5 mm of Hg)			
Temperature Range	23°F to +122°F ambient (-5°C to +50°C ambient)			
Coil Type	U2 Series Coil			

### Operating Data

VOLTAGE	12VDC	24VDC	110 VAC 50-60Hz	220 VAC 50-60Hz
Power Consumption	11W	11W	max 10VA	max 10VA
In-rush Current	11W	11W	max 16VA	max 16VA

Plug Specifications: NEMA 4, IP 65 with plug-in connector  
Solenoid Rating: Continuous Duty



RESPONSE TIME (SECONDS)	ENERGIZE	DE-ENERGIZE
1/2" & 3/4" (NC)	0.030	0.015
1/2" & 3/4" (NO)	0.020	0.018
1" (NC)	0.038	0.018
1" (NO)	0.025	0.020
1-1/2" (NC)	0.075	0.050
1-1/2" (NO)	0.070	0.060

NC: normally closed NO: normally open

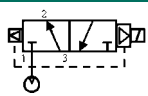
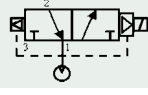
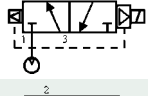
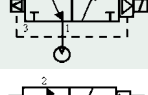
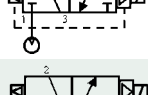
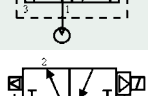
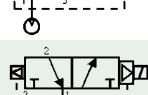
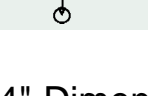


Poppet Valves NAG Series

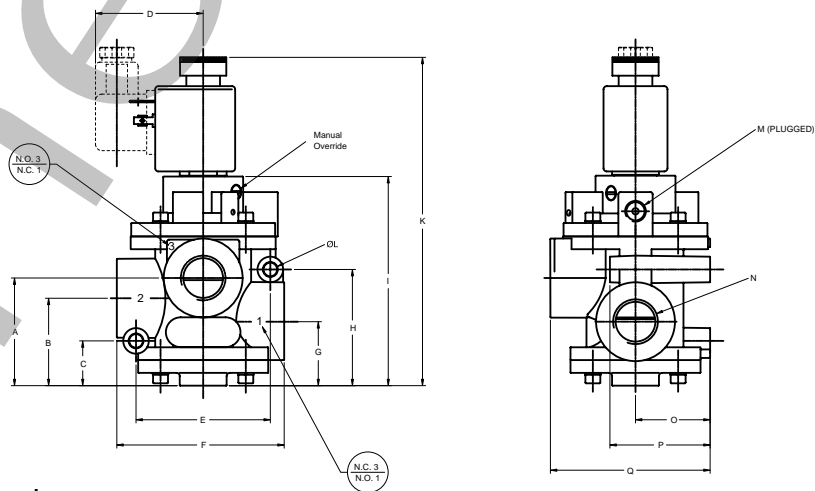


1/2" to 1-1/2" Model Selection for Solenoid Pilot Vacuum Valves

How To Order

NPTF PORT SIZE	TYPE	WITH MANUAL OVERRIDE			
		24VDC	12VDC	110 V, 50-60 Hz	220 V, 50-60 Hz
1/2"	 (NC)	NAG322204N000F	NAG322204N000D	NAG322202N000P	NAG322202N000V
1/2"	 (NO)	NAG322304N000F	NAG322304N000D	NAG322302N000P	NAG322302N000V
3/4"	 (NC)	NAG323204N000F	NAG323204N000D	NAG323202N000P	NAG323202N000V
3/4"	 (NO)	NAG323304N000F	NAG323304N000D	NAG323302N000P	NAG323302N000V
1"	 (NC)	NAG324204N000F	NAG324204N000D	NAG324202N000P	NAG324202N000V
1"	 (NO)	NAG324304N000F	NAG324304N000D	NAG324302N000P	NAG324302N000V
1-1/2"	 (NC)	NAG325604N000F	NAG325604N000D	NAG325602N000P	NAG325602N000V
1-1/2"	 (NO)	NAG325704N000F	NAG325704N000D	NAG325702N000P	NAG325702N000V

1/2" & 3/4" Dimensions for Solenoid Pilot Vacuum Valves



1/2" & 3/4" NPT Dimensions

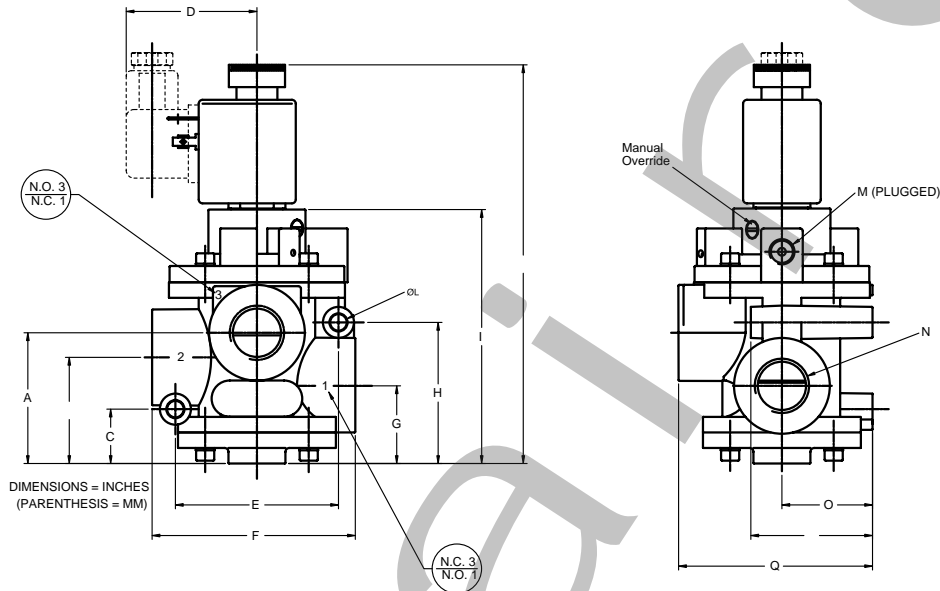
A	B	C	D	E	F	G	H	I	K	L	M	N	O	P	Q
1.988 (50.5)	1.614 (41.0)	0.827 (21.0)	1.988 (50.5)	2.480 (63.0)	3.091 (78.5)	1.181 (30.0)	2.146 (54.5)	3.996 (101.5)	6.063 (154.0)	0.252 (6.4)	1/8" NPT	1/2" or 3/4" NPT	1.378 (35.0)	1.850 (47.0)	2.953 (75.0)

Dimensions = inches  
(in parentheses) = mm



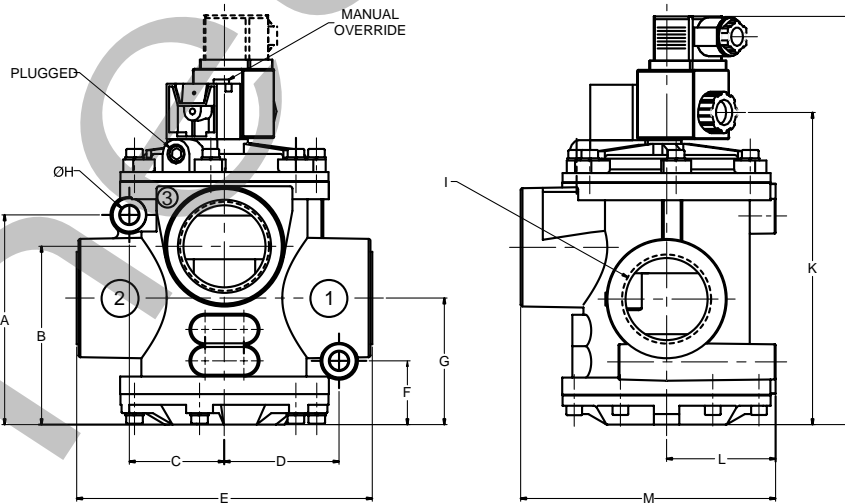
Poppet Valves NAG Series

1" to 1-1/2" Dimensions for Solenoid Pilot Vacuum Valves



1" NPT Dimensions

A	B	C	D	E	F	G	H	I	K	L	M	N	O	P	Q
2.520 (64.0)	2.008 (51.0)	1.004 (25.5)	1.969 (50.0)	2.992 (76.0)	3.976 (101.0)	1.496 (38.0)	2.461 (62.5)	4.528 (115.0)	6.850 (174.0)	0.331 (8.4)	1/8" NPT	1" NPT	1.575 (40.0)	2.165 (55.0)	3.504 (89.0)



1-1/2" NPT Dimensions

A	B	C	D	E	F	G	H	I	J	K	L	M
4.449 (113.0)	3.799 (96.5)	2.008 (51.0)	2.441 (62.0)	6.220 (158.0)	1.339 (34.0)	2.717 (69.0)	0.413 (10.5)	1-1/2" NPT	8.740 (222.0)	6.654 (169.0)	2.323 (59.0)	5.433 (138.0)

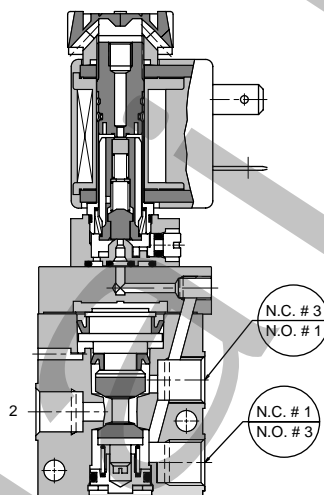
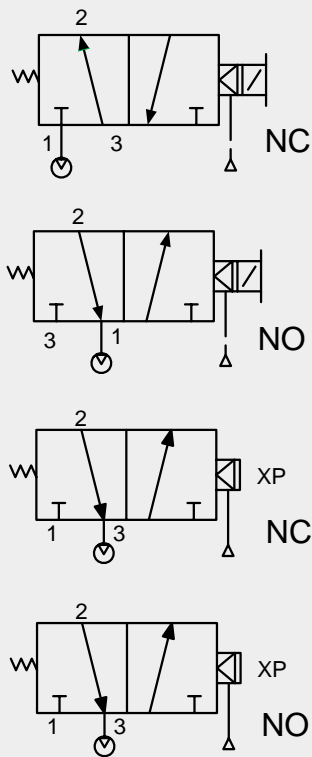
Dimensions = inches  
(in parentheses) = mm



### Poppet Valves NAG Series

## Solenoid Air Pilot and Air Pilot Actuated Vacuum Valves - 1/4" to 3/8"

- Solenoid External Air Pilot Actuated
- 3 ported, 2 position
- For lubricated or non lubricated service
- Diaphragm actuated
- Polyurethane diaphragm



### Technical Data

PORTS (NPTF)	1/4"	3/8"
Cv	1.8	2
Operating Vacuum Range	Maximum 29.9" of Hg (759.5 mm of Hg)	
Pilot Range	36 - 145 PSIG (2.5 - 10 Bar)	
Temperature Range	23°F to +122°F ambient (-5°C to +50°C ambient)	
Coil Type	U2 Series Coil	

### Operating Data

VOLTAGE	12VDC	24VDC	110 VAC 50-60Hz	220 VAC 50-60Hz
Power Consumption	11W	11W	max 10VA	max 10VA
In-rush Current	11W	11W	max 16VA	max 16VA

Plug Specifications: NEMA 4, IP 65 with plug-in connector  
Solenoid Rating: Continuous Duty



RESPONSE TIME (SECONDS)	ENERGIZE	DE-ENERGIZE
1/4" & 3/8" (NC)	0.016	0.027
1/4" & 3/8" (NO)	0.016	0.027

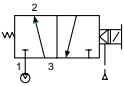
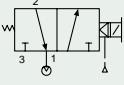
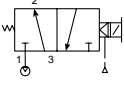
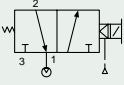
NC: normally closed NO: normally open



Poppet Valves NAG Series

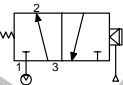
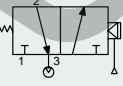
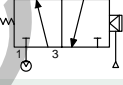
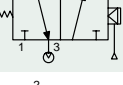
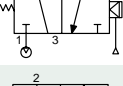
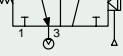
1/4" to 3/8" Model Selection for Solenoid Air Piloted Vacuum Valves

How To Order

NPTF PORT SIZE	TYPE	WITH MANUAL OVERRIDE			
		24VDC	12VDC	110 V, 50-60 Hz	220 V, 50-60 Hz
1/4"	 (NC)	NAG300904N14AF	NAG300904N14AD	NAG300902N14AP	NAG300902N14AV
1/4"	 (NO)	NAG301004N14AF	NAG301004N14AD	NAG301002N14AP	NAG301002N14AV
3/8"	 (NC)	NAG301104N14AF	NAG301104N14AD	NAG301102N14AP	NAG301102N14AV
3/8"	 (NO)	NAG301204N14AF	NAG301204N14AD	NAG301202N14AP	NAG301202N14AV

1/8" to 3/8" Model Selection for Air Piloted (External Pilot Port) Vacuum Valves

How To Order

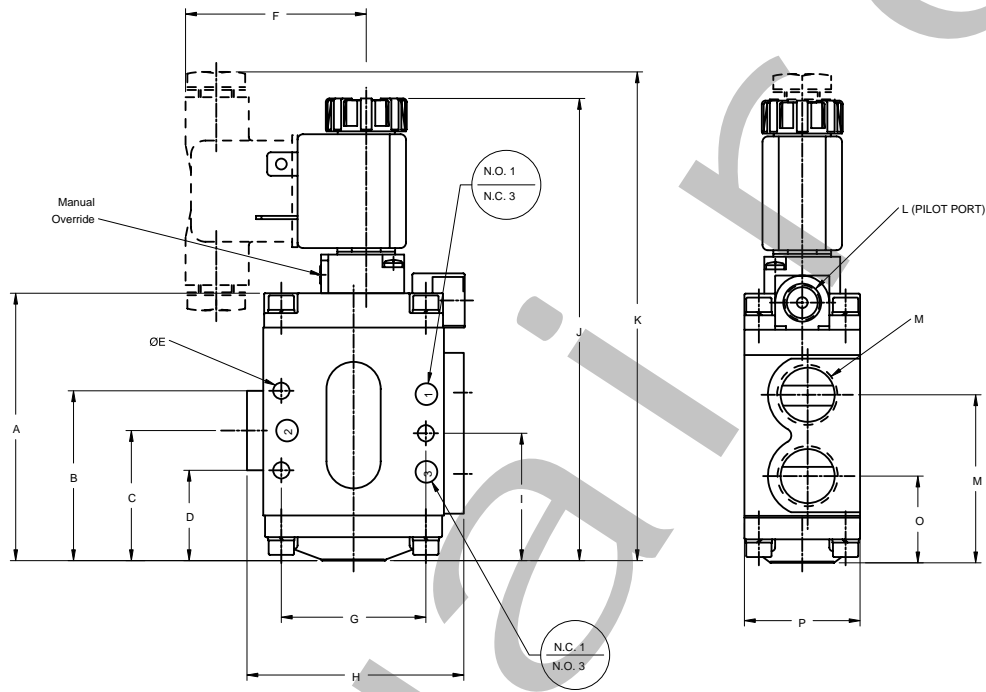
NPTF PORT SIZE	TYPE	
1/8"	 (NC)	NAG307100N14AO
1/8"	 (NO)	NAG307200N14AO
1/4"	 (NC)	NAG307300N14AO
1/4"	 (NO)	NAG307400N14AO
3/8"	 (NC)	NAG307500N14AO
3/8"	 (NO)	NAG307600N14AO



Poppet Valves NAG Series



1/4" to 3/8" Dimensions for Solenoid Air Pilot and Air Pilot Actuated Vacuum Valves



1/4" & 3/8" NPT Dimensions

A	B	C	D	E	F	G	H	I	J	K	L	M	N	O	P
2.913 (74.0)	1.850 (47.0)	1.417 (36.0)	0.984 (25.0)	0.177 (4.5)	1.969 (50.0)	1.575 (40.0)	2.362 (60.0)	1.398 (35.5)	5.079 (129.0)	5.354 (136.0)	1/8" NPT	1/4" or 3/8" NPT	1.850 (47.0)	0.945 (24.0)	1.260 (32.0)

Dimensions = inches  
(in parentheses) = mm

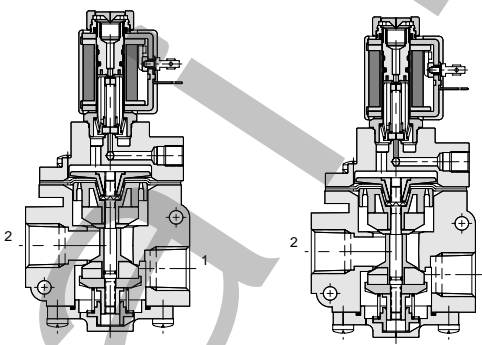
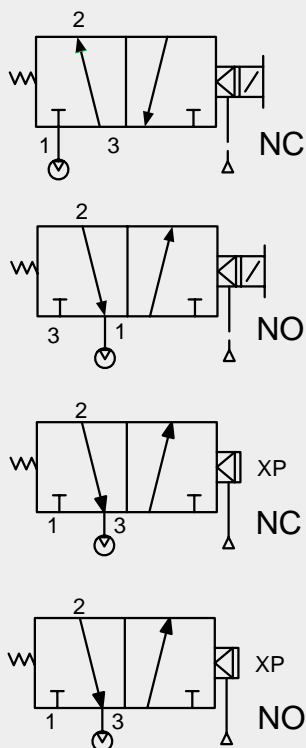




### Poppet Valves NAG Series

## Solenoid Air Pilot and Air Pilot Actuated Vacuum Valves - 1/2" to 1-1/2"

- Solenoid External Air Pilot Actuated
- 3 ported, 2 position
- For lubricated or non lubricated service
- Diaphragm actuated
- Polyurethane diaphragm



### Technical Data

PORTS (NPTF)	1/2"	3/4"	1"	1-1/2"
Cv	5	5.6	8.8	24
Operating Vacuum Range	10" - 29.9" of Hg (759.5 mm of Hg)			
Pilot Pressure	43 - 145 PSIG (3 - 10 Bar)		58 - 145 PSIG (4 - 10 Bar)	
Temperature Range	23°F to +122°F ambient (-5°C to +50°C ambient)			
Coil Type	U2 Series Coil			

### Operating Data

VOLTAGE	12VDC	24VDC	110 VAC 50-60Hz	220 VAC 50-60Hz
Power Consumption	11W	11W	max 10VA	max 10VA
In-rush Current	11W	11W	max 16VA	max 16VA

Plug Specifications: NEMA 4, IP 65 with plug-in connector  
Solenoid Rating: Continuous Duty



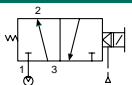
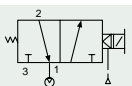
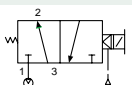
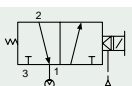
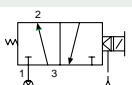
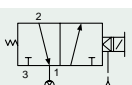
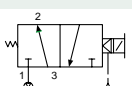
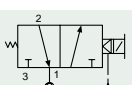
RESPONSE TIME (SECONDS)	ENERGIZE	DE-ENERGIZE
1/2" & 3/4" (NC)	0.016	0.040
1/2" & 3/4" (NO)	0.016	0.040
1" (NC)	0.018	0.042
1" (NO)	0.018	0.042
1-1/2" (NC)	0.060	0.038
1-1/2" (NO)	0.060	0.038

NC: normally closed NO: normally open

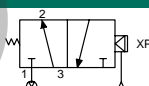
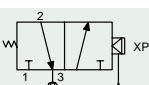
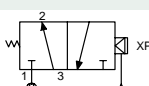
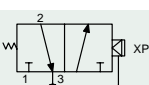
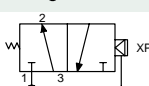
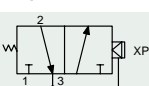
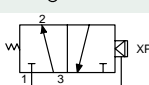
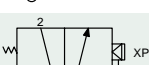


Poppet Valves NAG Series

1/2" to 1-1/2" Model Selection for Solenoid Air Piloted Vacuum Valves - How To Order

NPTF PORT SIZE	TYPE	WITH MANUAL OVERRIDE			
		24VDC	12VDC	110 V, 50-60 Hz	220 V, 50-60 Hz
1/2"	 (NC)	NAG302004N14AF	NAG302004N14AD	NAG302002N14AP	NAG302002N14AV
1/2"	 (NO)	NAG302104N14AF	NAG302104N14AD	NAG302102N14AP	NAG302102N14AV
3/4"	 (NC)	NAG304004N14AF	NAG304004N14AD	NAG304002N14AP	NAG304002N14AV
3/4"	 (NO)	NAG304104N14AF	NAG304104N14AD	NAG304102N14AP	NAG304102N14AV
1"	 (NC)	NAG305004N14AF	NAG305004N14AD	NAG305002N14AP	NAG305002N14AV
1"	 (NO)	NAG305104N14AF	NAG305104N14AD	NAG305102N14AP	NAG305102N14AV
1-1/2"	 (NC)	NAG306204N14AF	NAG306204N14AD	NAG306202N14AP	NAG306202N14AV
1-1/2"	 (NO)	NAG306304N14AF	NAG306304N14AD	NAG306302N14AP	NAG306302N14AV

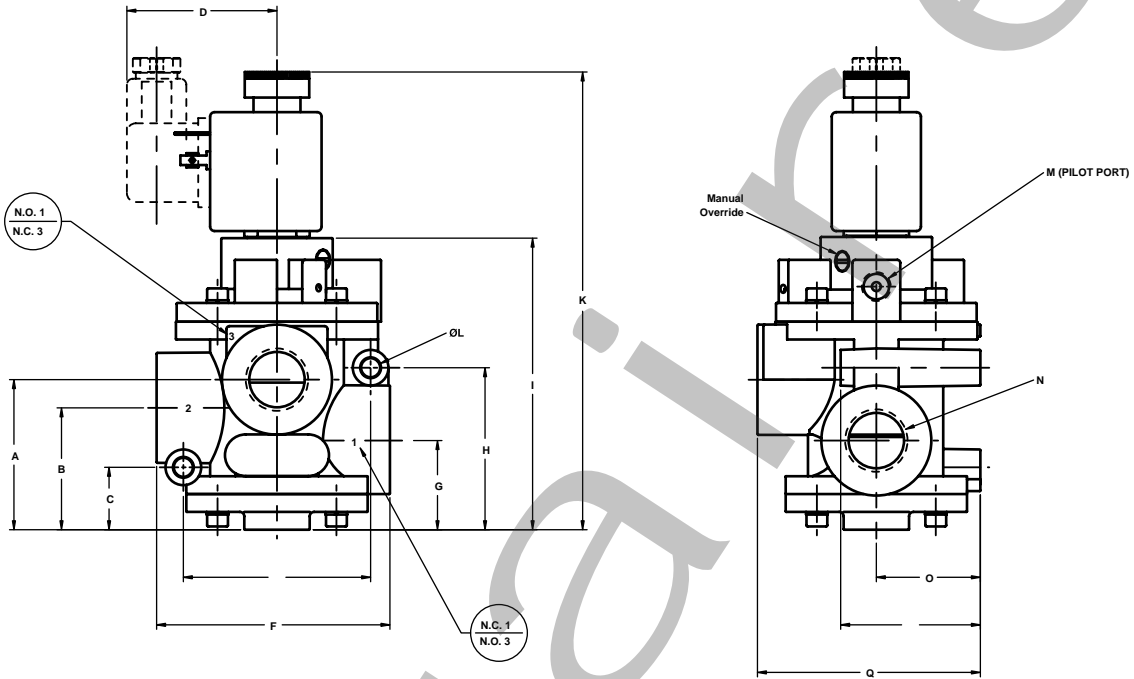
1/2" to 1-1/2" Model Selection for Air Piloted (External Pilot Port) Vacuum Valves  
How To Order

NPTF PORT SIZE	TYPE	
1/2"	 (NC)	NAG308100N14AO
1/2"	 (NO)	NAG308200N14AO
3/4"	 (NC)	NAG309100N14AO
3/4"	 (NO)	NAG309200N14AO
1"	 (NC)	NAG310000N14AO
1"	 (NO)	NAG310100N14AO
1-1/2"	 (NC)	NAG31100N14AO
1-1/2"	 (NO)	NAG311100N14AO



Poppet Valves NAG Series

1/2" & 3/4" Dimensions for Solenoid Air Pilot and Air Pilot Actuated Vacuum Valves



1/2" & 3/4" NPT Dimensions

A	B	C	D	E	F	G	H	I	K	L	M	N	O	P	Q
1.988 (50.5)	1.614 (41.0)	0.827 (21.0)	1.988 (50.5)	2.480 (63.0)	3.091 (78.5)	1.181 (30.0)	2.146 (54.5)	3.996 (101.5)	6.063 (154.0)	0.252 (6.4)	1/8" NPT	1/2" or 3/4" NPT	1.378 (35.0)	1.850 (47.0)	2.953 (75.0)

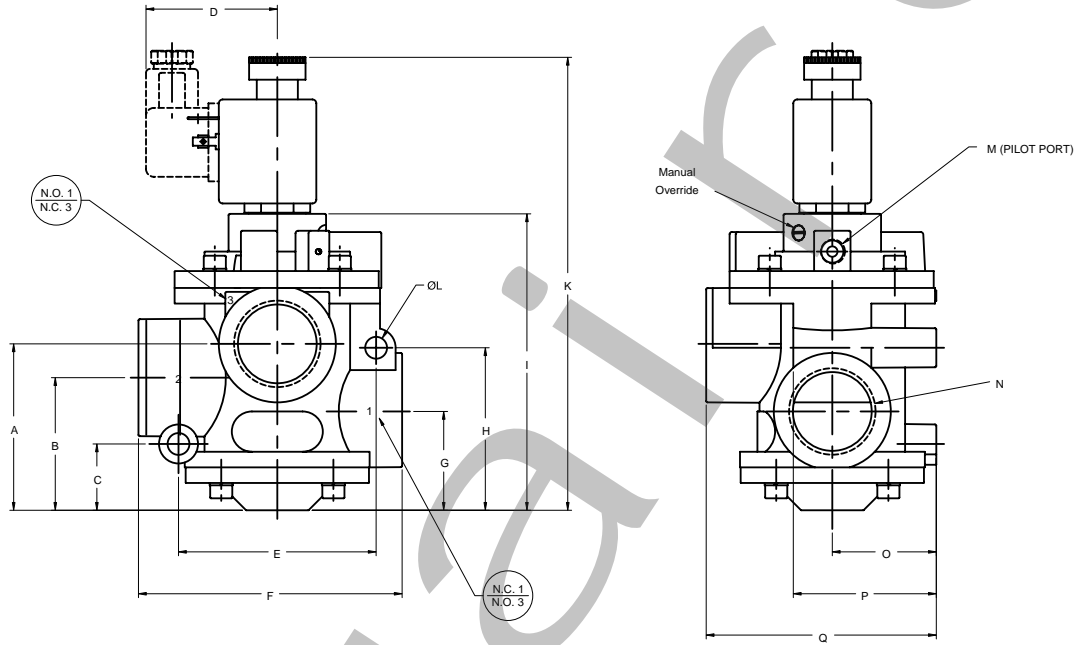
Dimensions = inches  
(in parentheses) = mm



Poppet Valves NAG Series

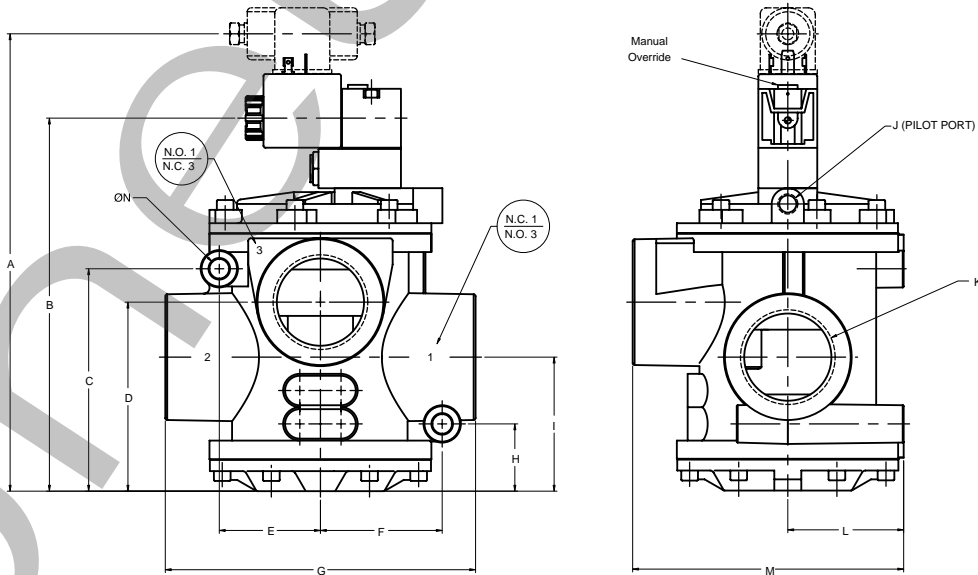


1" to 1-1/2" Dimensions for Solenoid Air Pilot and Air Pilot Actuated Vacuum Valves



1" NPT Dimensions

A	B	C	D	E	F	G	H	I	K	L	M	N	O	P	Q
2.520	2.008	1.004	1.969	2.992	3.976	1.496	2.461	4.528	6.850	.331	1/8"	1"	1.575	2.165	3.504
(64.0)	(51.0)	(25.5)	(50.0)	(76.0)	(101.0)	(38.0)	(62.5)	(115.0)	(174.0)	(8.4)	NPT	NPT	(40.0)	(55.0)	(89.0)



1-1/2" NPT Dimensions

A	B	C	D	E	F	G	H	I	J	K	L	M	N
9.173	7.480	4.449	3.780	2.028	2.441	6.220	1.339	2.677	1/8"	1-1/2"	2.323	5.433	0.394
(233.0)	(190.0)	(113.0)	(96.0)	(51.5)	(62.0)	(158.0)	(34.0)	(68.0)	NPT	NPT	(59.0)	(138.0)	(10.0)

Dimensions = inches  
(in parentheses) = mm