

LUBRICATORS

Most pneumatically operated equipment such as valves, cylinders, and air tools, require some form of lubrication to reduce equipment maintenance and prolong life.

Air driven devices can be lubricated by using an air line lubricator, a device for adding lubricating oil in aerosol form into the compressed air line. The air passing through the lubricator transports the lubricant to air tools, cylinders or other air driven devices where the lubricant is deposited on moving and sliding surfaces to reduce friction and wear.

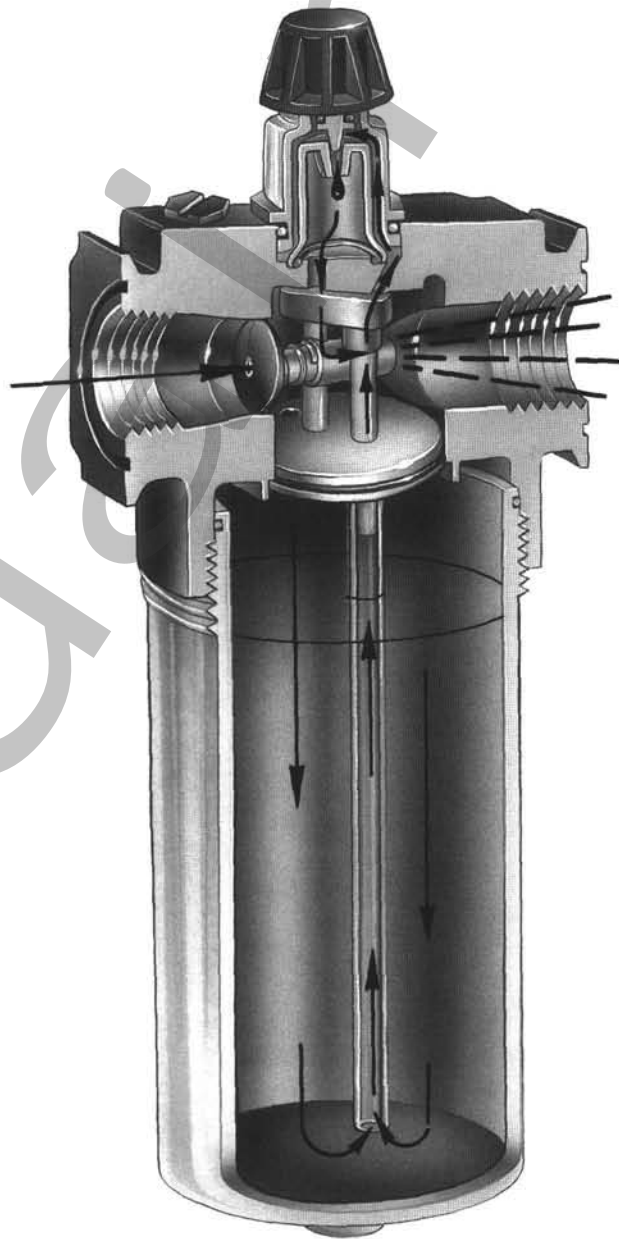
Arrow offers four distinct types: Miniature, Arrowfog, Ultrafog, Wick Style.

Miniature Fog-Type lubricators are designed for low air flow applications where space is limited.

Arrowfog in TriStar and Midflow lubricators are the most popular units for applications that do not require extremely fine oil particles or long distance lubrication. They produce oil particles of 2.5 micron. Arrowfog sends all metered oil down line in fog droplets; accommodates a wide range of applications.

Arrow Ultrafog in Tri-Star and Midflow lubricators produce extremely fine, .4 micron oil particles. Due to their size, these molecules remain in suspension and are carried further downstream than the particles from an Arrowfog. Arrow Ultrafog allows precise adjustment control. Atomizes oil droplets to a fine mist for reclassification in the bowl before sending lighter particles of oil down line.

Arrow Wick lubricators are economical and reliable for lubricating tools or cylinders that run constantly. The Arrow Wick automatically maintains the same air-oil ratio regardless of variations in air flow. The average droplet size is 3 microns. Arrow Wick uses an adjustable saturated wick to send particles or oil down line.



ARROW

Miniature Fog Lubricators



SPECIFICATIONS

WARNING! Polycarbonate plastic bowls could rupture if exposed to incompatible chemicals whether inside or outside the bowl. If such chemicals are present, use a metal bowl. Refer to page 63 for details.

Body

- Aluminum

Polycarbonate Bowl

- Max. pressure 150 psi
- Operating temperature range 40°F to 125°F

Metal Bowl

- Max. pressure 250 psi
- Operating temperature range 40°F to 175°F

Recommended Oil

- SAE 10 oil or lighter
- Atomized average 2 micron
- .1 scfm to establish drip rate

KITS

Bowl Kits

- Polycarbonate BK1811
- Metal BK1811M
- Repair kit RK1812
- Sight kit SG1812

FEATURES

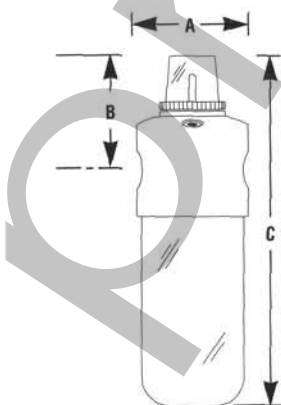
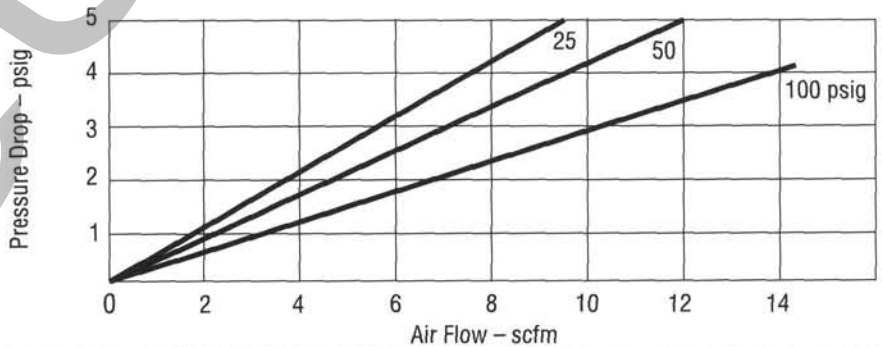
- 1 oz. polycarbonate bowl
- Optional metal bowl
- Visible drip rate
- Easy to refill
- Fine adjustment screw
- Requires only .1 cfm of air flow to operate
- Automatically adjusts oil mist delivery with air flow variations

OPTIONS

add suffix to part number in alpha order

- M Metal bowl 1812M

PERFORMANCE CHARACTERISTICS



DIMENSIONS

PIPE SIZE	MODEL NO.	MAX. FLOW SCFM*	BOWL CAPACITY	DIMENSIONS (INCHES)			WEIGHT (LBS.)
				A	B	C	
1/8"	L181	16	1 oz.	1 3/8	1 1/2	4 21/32	.3
1/4"	L182	16	1 oz.	1 3/8	1 1/2	4 21/32	.3

* 100 scfm @ 5 psi pressure drop.



Tri-Star Series 3 Arrowfog Lubricators

OPTIONS

add suffix to part number in alpha order

- M** 6 oz. black coated metal bowlL354M
- W** 6 oz. black coated metal bowl with sight L354W

SPECIFICATIONS

WARNING! Polycarbonate plastic bowls could rupture if exposed to incompatible chemicals whether inside or outside the bowl. If such chemicals are present, use a metal bowl. Refer to page 63 for details.

Body

- Aluminum

Polycarbonate Bowl with Bowl Guard

- Max. pressure 150 psig
- Operating temperature range 40°F to 120°F

Metal Bowl

- Zinc, black coated
- Max. pressure 250 psig
- Operating temperature range 40°F to 120°F

Metal Bowl with Sight

- Zinc, black coated
- Max. pressure range 250 psig
- Operating temperature range 40°F to 160°F

Recommended Oil

- SAE 10 oil or lighter
- Atomized average 2 micron

KITS

Bowl Kits

- Polycarbonate BKL35
- Metal bowl without sight BKL45M
- Metal bowl with sight BKL45W

Repair Kits

- For L350 RKL352
- Dome kit AK35
- Fill plug kit FK35

Mounting Kit see page 60

- Mounting kit FBK5

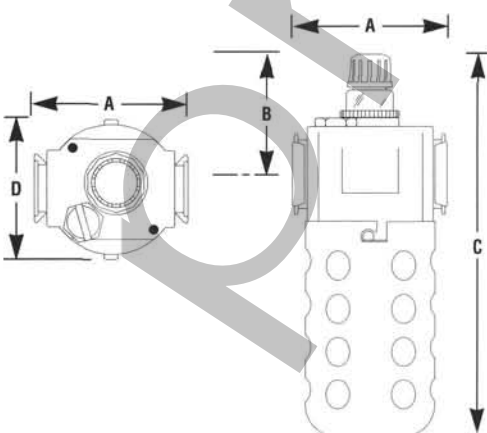
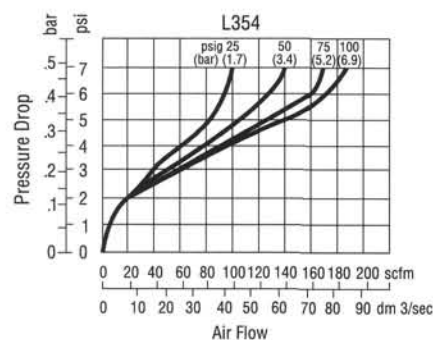
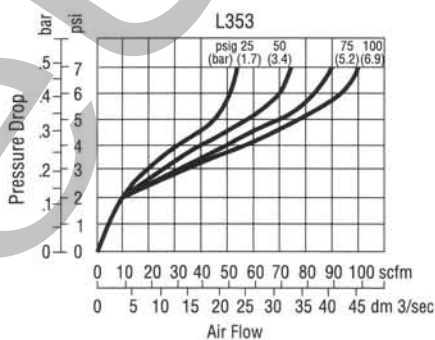
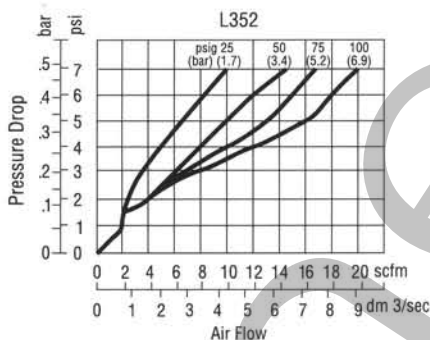
Applications

- Air tools
- Air motors
- Single point lubrication

FEATURES

- Aluminum housing
- Oil delivery at low air flow approximately 2 scfm
- Lubricator may be filled without shutting down air line
- 3-position non-rising adjustment knob; push to lock, pull to adjust, detach for tamper resistant
- Can be converted on-line to Ultrafog lubricator with interchangeable module Part # RKL452

PERFORMANCE CHARACTERISTICS



DIMENSIONS

PIPE SIZE	MODEL NO.	MAX. FLOW SCFM*	BOWL CAPACITY	DIMENSIONS (INCHES)				WEIGHT (LBS.)
				A	B	C	D	
1/4"	L352	16	5 oz.	2 ³ / ₄	2 ¹ / ₈	7 ⁵ / ₃₂	2 ¹ / ₂	1.0
3/8"	L353	82	5 oz.	2 ³ / ₄	2 ¹ / ₈	7 ⁵ / ₃₂	2 ¹ / ₂	1.0
1/2"	L354	142	5 oz.	2 ³ / ₄	2 ¹ / ₈	7 ⁵ / ₃₂	2 ¹ / ₂	1.0

* Flow scfm based on 5.0 psi Δ p @ 100 psig inlet.



MidFlow Series 3 Arrowfog Lubricators

SPECIFICATIONS

Body

- Aluminum

Metal Bowl

- Zinc, black coated
- Max. pressure 250 psig
- Operating temperature range 40°F to 120°F

Metal Bowl with Sight

- Zinc, black coated
- Max. pressure range 250 psig
- Operating temperature range 40°F to 160°F

Recommended Oil

- SAE 10 oil or lighter
- 3 scfm to establish drip rate
- Atomized average 2 micron droplet

KITS

Bowl Kits

- Metal bowl with sight BKL47W
- Metal bowl without sight BKL47M
- Metal bowl with sight BKL48W
- Metal bowl without sight BKL48M

Repair Kits

- For L370 RKL372
- For L380 RKL382
- Dome kit AK35
- Fill plug kit FK37

Mounting Kit see page 60

- Mounting kit FBK7

FEATURES

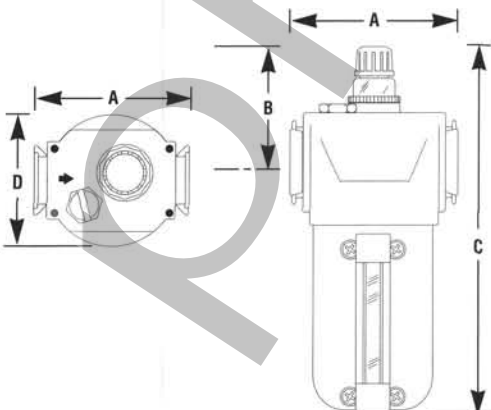
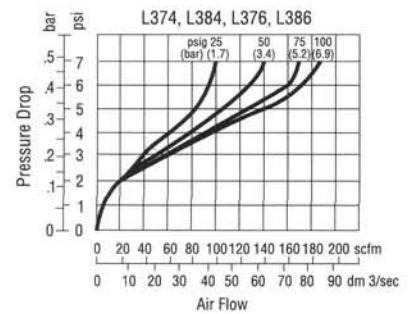
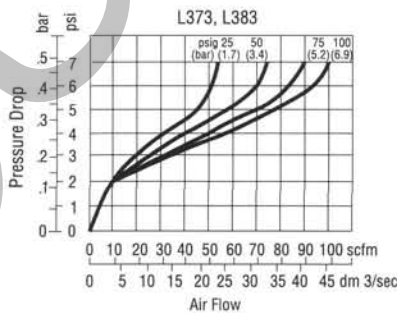
- Oil delivery at low air flow approximately 2 scfm
- Lubricator may be filled without shutting down air line
- 3-position non-rising adjustment knob; push to lock, pull to adjust, detach for tamper resistant
- Can be converted on-line to Ultrafog lubricator with interchangeable module Part # RKL452

OPTIONS

add suffix to part number in alpha order

- M** 6 oz. black coated metal bowl L373M

PERFORMANCE CHARACTERISTICS



DIMENSIONS

PIPE SIZE	MODEL NO.	MAX. FLOW SCFM*	BOWL CAPACITY	DIMENSIONS (INCHES)				WEIGHT (LBS.)
				A	B	C	D	
3/8"	L373W	82	10 oz.	3 3/4	2 5/16	8 13/32	3	2.4
3/8"	L383W	82	20 oz.	3 3/4	2 5/16	11 19/32	3	3.3
1/2"	L374W	142	10 oz.	3 3/4	2 5/16	8 13/32	3	2.4
1/2"	L384W	142	20 oz.	3 3/4	2 5/16	11 19/32	3	3.3
3/4"	L376W	142	10 oz.	3 3/4	2 5/16	8 13/32	3	2.4
3/4"	L386W	142	20 oz.	3 3/4	2 5/16	11 19/32	3	3.3



Tri-Star Series 4 Ultrafog Lubricators

OPTIONS

add suffix to part number in alpha order

- M** 6 oz. black coated metal bowl L454M
- W** 6 oz. black coated metal bowl with sight L454W

SPECIFICATIONS

WARNING! Polycarbonate plastic bowls could rupture if exposed to incompatible chemicals whether inside or outside the bowl. If such chemicals are present, use a metal bowl. Refer to page 63 for details.

Body

- Die cast aluminum

Polycarbonate Bowl with Bowl Guard

- Max. pressure 150 psig
- Operating temperature range 40°F to 120°F

Metal Bowl

- Zinc, black coated
- Max. pressure 250 psig
- Operating temperature range 40°F to 120°F

Metal

- Zinc, black coated
- Max. pressure range 250 psig
- Operating temperature range 40°F to 160°F

Recommended Oil

- SAE 10 oil or lighter
- 2 scfm to establish drip rate
- Atomized average .6 micron
- 1 out of 28 drops travel downstream
- Cannot be filled under pressure

KITS

Bowl Kits

- Metal BKL45M
- Metal with sight BKL45W

Repair Kits

- Adjustment dome kit AK35
- Fill plug FK35
- For Ultrafog RKL452
- Sight kit WK45

Mounting Kit see page 60

- Mounting kit FBK5

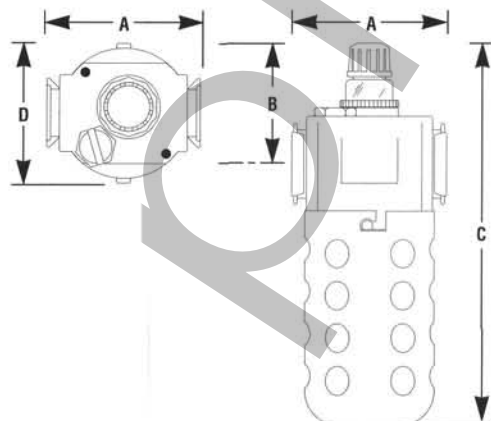
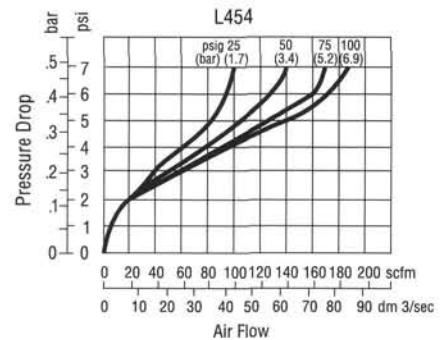
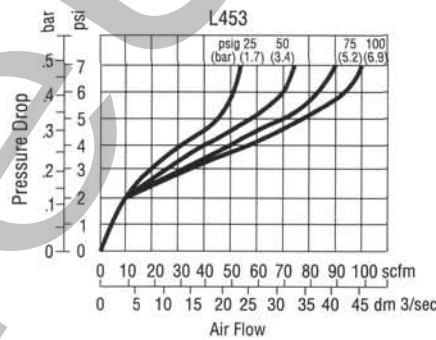
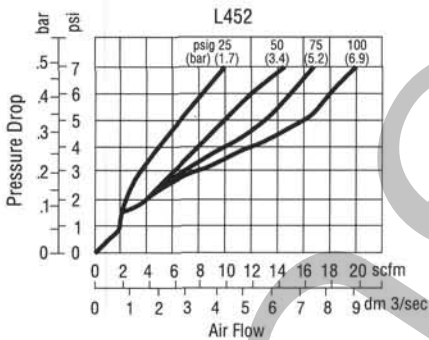
Applications

- Multiple lubrication points

FEATURES

- 5 oz. polycarbonate bowl w/steel bowl guard
- Aluminum housing, black coated
- Oil delivery at low air flow approximately 2 scfm
- 3-position non-rising adjustment knob; push to lock, pull to adjust, detach for tamper resistant
- Convert on-line to Arrowfog with interchangeable module #RKL352
- In line modular installation

PERFORMANCE CHARACTERISTICS



DIMENSIONS

PIPE SIZE	MODEL NO.	MAX. FLOW SCFM*	BOWL CAPACITY	DIMENSIONS (INCHES)				WEIGHT (LBS.)
				A	B	C	D	
1/4"	L452	16	5 oz.	2 ³ / ₄	2 ¹ / ₈	7 ⁵ / ₃₂	2 ¹ / ₂	1.0
3/8"	L453	82	5 oz.	2 ³ / ₄	2 ¹ / ₈	7 ⁵ / ₃₂	2 ¹ / ₂	1.0
1/2"	L454	142	5 oz.	2 ³ / ₄	2 ¹ / ₈	7 ⁵ / ₃₂	2 ¹ / ₂	1.0

* 100 scfm @ 5 psi pressure drop.



MidFlow Series 4 Ultrafog Lubricators

L4

SPECIFICATIONS

Body

- Aluminum

Metal Bowl

- Zinc, black coated
- Max. pressure 250 psig
- Operating temperature range 40°F to 120°F

Metal Bowl with Sight

- Zinc, black coated
- Max. pressure range 250 psig
- Operating temperature range 40°F to 160°F

Recommended Oil

- SAE 10 oil or lighter
- 2 scfm to establish drip rate
- Atomized average .6 micron
- 1 out of 28 drops travel downstream
- Cannot be filled under pressure

KITS

Bowl Kits

- Metal bowl without sight BKL47M
- Metal bowl with sight BKL47W

Repair Kits

- For L350 RKL470
- Dome kit AK47
- Fill plug kit FK47

Mounting Kit see page 60

- Mounting kit FBK7

FEATURES

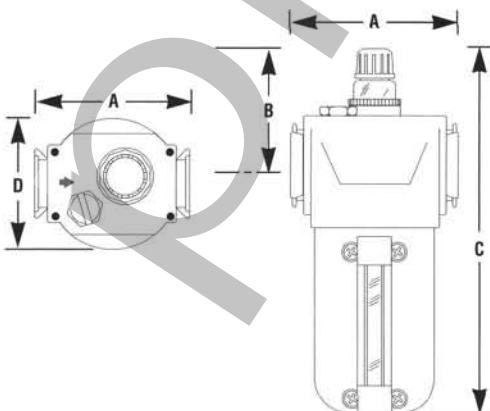
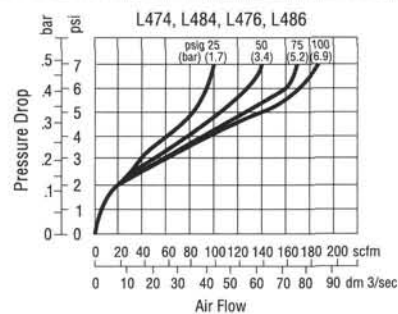
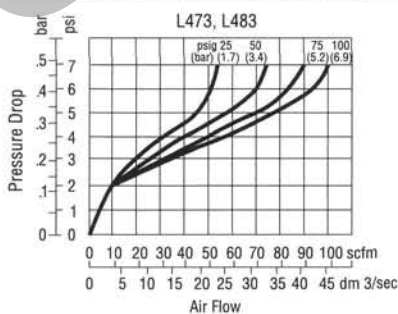
- Aluminum housing
- Oil delivery at low air flow approximately 2 scfm
- 3-position non-rising adjustment knob; push to lock, pull to adjust, detach for tamper resistant
- Convert on-line to Arrowfog with interchangeable module #RKL352

OPTIONS

add suffix to part number in alpha order

- M 6 oz. black coated metal bowl L472M

PERFORMANCE CHARACTERISTICS



DIMENSIONS

PIPE SIZE	MODEL NO.	MAX. FLOW SCFM*	BOWL CAPACITY	DIMENSIONS (INCHES)				WEIGHT (LBS.)
				A	B	C	D	
3/8"	L473W	82	10 oz.	3 3/4	2 5/16	8 13/32	3	2.4
3/8"	L483W	82	20 oz.	3 3/4	2 5/16	11 19/32	3	3.3
1/2"	L474W	142	10 oz.	3 3/4	2 5/16	8 13/32	3	2.4
1/2"	L484W	142	20 oz.	3 3/4	2 5/16	11 19/32	3	3.3
3/4"	L476W	142	10 oz.	3 3/4	2 5/16	8 13/32	3	2.4
3/4"	L486W	142	20 oz.	3 3/4	2 5/16	11 19/32	3	3.3

Arrowick Lubricators



SPECIFICATIONS

Body

- Aluminum

Metal Bowl

- Steel, black coated
- Max. pressure 250 psig
- Operating temperature range 40°F to 200°F

Recommended Oil

- SAE 10 oil or lighter
- 30 scfm to establish drip rate

Droplet Size

- 3 micron or less

KITS

Bowl Kits

- 29 oz. metal BK4106M
- 29 oz. metal with sight BK4106W
- 2 qt. metal with sight BK4106LCM

Repair Kits

- For 4106, 4106LCM, 4108, and 4108LCM RK4106
- For 4112 and 4112LCM RK4112
- Sight kit WK35

Applications

- Single point
- Flow can be reversed

FEATURES

- Simple, trouble free design. It cannot be over-filled, and has greater bowl capacity which extends interval between filling
- Can be used downstream of 4 way valves because it accommodates reverse flow
- Bowl fills all the way to the top
- It can be filled under pressure no need to shut down air
- Tamper-proof internal adjustment
- Porous bronze oil metering diffuser introduces smallest possible oil particles to the air
- No small orifices to clog and stop oil delivery
- Automatically maintains air-oil ratio regardless of variations in air flow

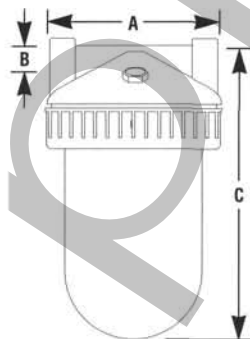
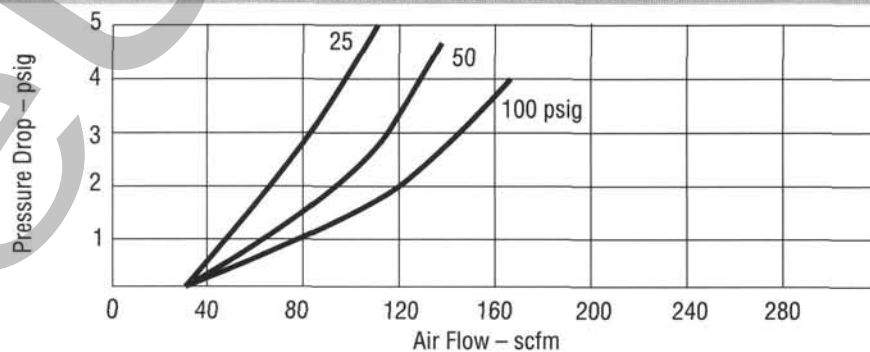
OPTIONS

- add suffix to part number in alpha order
- W** metal bowl
 - with sight glass 4108W

Minimum Air Flow
To Lubrication

Model No.	Air Flow SCFM
4106	30 SCFM
4106LCM	30 SCFM
4108	30 SCFM
4108LCM	30 SCFM
4112	50 SCFM
4112LCM	50 SCFM

PERFORMANCE CHARACTERISTICS



DIMENSIONS

PIPE SIZE	MODEL NO.	MAX. FLOW SCFM*	BOWL CAPACITY	DIMENSIONS (INCHES)			WEIGHT (LBS.)
				A	B	C	
3/4"	4106	175	29 oz.	4 ⁷ / ₈	1 ¹ / ₈	8 ³ / ₈	3.5
1"	4108	175	29 oz.	4 ⁷ / ₈	1 ¹ / ₈	8 ³ / ₈	3.5
1 ¹ / ₂ "	4112	175	29 oz.	5 ¹ / ₄	1 ¹ / ₄	9	3.5
3/4"	4106LCM	175	2 qt.	4 ⁷ / ₈	1 ¹ / ₈	13	6.0
1"	4108LCM	175	2 qt.	4 ⁷ / ₈	1 ¹ / ₈	13	6.0
1 ¹ / ₂ "	4112LCM	175	2 qt.	5 ¹ / ₄	1 ¹ / ₄	13 ¹ / ₂	6.0

* 100 scfm @ 5 psi pressure drop.