

# Bimba Alignment Couplers

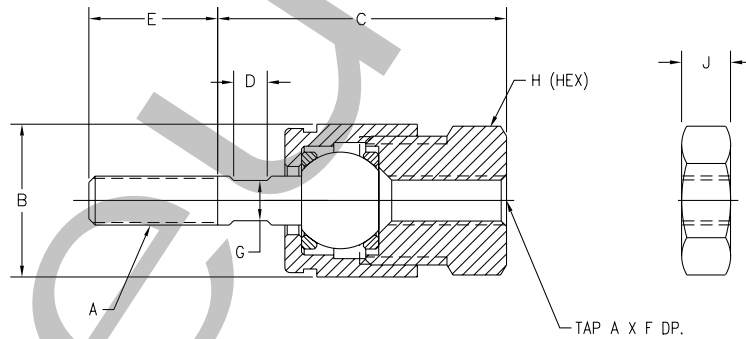
## Features and Advantages

- Bimba's new miniature coupler design allows excellent freedom of movement on the three new, miniature sizes; #5-40 through #10-32 sizes.
- The miniature couplers allow up to 20 degrees of spherical movement and 0.02" lateral allowance with only .002" of axial play and are manufactured from high tensile, hardened and blackened steel components.
- Larger sizes are available, from 1/4"-28 to 1"-14, with 1 degree of spherical movement and 1/16" of lateral allowance.
- The alignment allowances can eliminate the need for expensive precision machining in rigidly mounted applications.
- Alignment couplers help reduce binding and simplify field alignment problems, enhancing cylinder performance and reducing seal and bearing wear.
- An innovative design to resist vibrational loosening is available on sizes 5/16"-24 and larger. In the ACH style coupler, a slot is milled through the tapped mounting threads. Two socket head cap screws are strategically placed to allow the coupler to be clamped to the rod, offering a superior strength connection.



## Dimensions

### Models #8-32 through #10-32



Model	A	B	C	D	E	F	G	H	J	Maximum Pull at Yield (lbs.)	Alignment Allowance		Weight (oz.)
											Lateral	Spherical	
AC8-32	#8-32	17/32"	31/32"	1/8"	3/8"	3/8"	1/8"	7/16"	1/8"	650	0.02	10°	0.5
AC10-32	#10-32	19/32"	1-1/8"	1/8"	1/2"	1/2"	5/32"	1/2"	1/8"	1200	0.02	10°	0.8

List price includes one jam nut

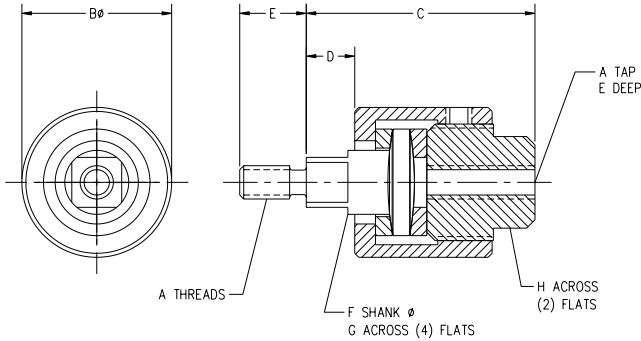
### Additional Jam Nuts

Size	Part Number
#8-32	D-D0737
#10-32	D-5288

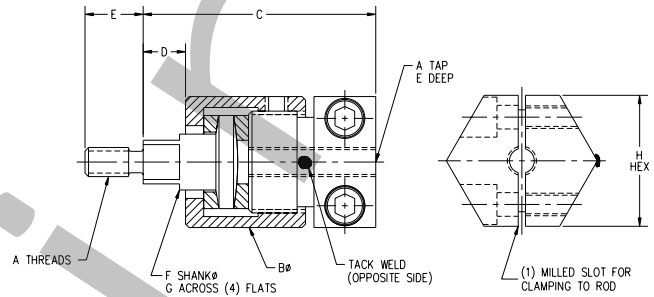
# Bimba Alignment Couplers

## Models 1/4"-28 through 1"-14

Standard Coupler  
AC250-AC1000



ACH Coupler  
ACH312-ACH1000



1/16" of lateral allowance  
1° spherical movement

Part Number*	A	B	C	C Hex	D	E	F	G	H	H Hex	Maximum Pull at Yield (lbs.)		
AC312	5/16"-24	1-1/8"	1-3/4"	2"	3/8"	1/2"	1/2"	3/8"	11/16"	1-1/8"	8,300		
AC375	3/8"-24	1-1/8"	1-3/4"	2"	3/8"	1/2"	1/2"	3/8"	11/16"	1-1/8"	8,300		
AC500	1/2"-20	1-1/4"	2"	2-5/32"	7/16"	3/4"	5/8"	1/2"	13/16"	1-1/8"	14,000		
AC625	5/8"-18	1-1/4"	2"	2-5/32"	7/16"	3/4"	5/8"	1/2"	13/16"	1-1/4"	19,000		
AC750	3/4"-16	1-3/4"	2-5/16"	2-1/2"	7/16"	1-1/8"	31/32"	13/16"	1-1/8"	1-3/4"	34,000		

\*Please specify AC or ACH coupler when ordering AC-750 (Standard Coupler) ACH-750 (Hex Coupler)  
Jam nut sold separately for 1/4"-28 through 1"-14 size

### Jam Nuts

Size	Part Number	
5/16"-24	D-746	
3/8"-24	D-801	
1/2"-20	D-98	
5/8"-18	D-9	
3/4"-16	D-3556	

Flow Controls

Alignment Couplers

Flat-I / Square Flat-I

Flat-II / Square Flat-II

F02, F03, F04  
(multiple power)

F0P  
(multiple position)

Accessories

EF1 Cylinders

EF2 Cylinders

Twin Bore Cylinders

Position Sens Switches