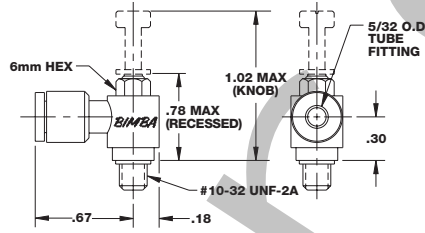


Bimba Miniature Quik-Flo® Flow Controls- FQPS Series

For 10-32 port,
5/32" OD tubing

FQPS1
\$10.60

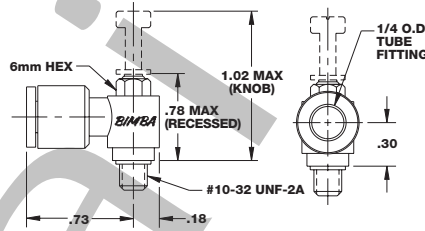
FQPS1K
\$10.60



For 10-32 port,
1/4" OD tubing

FQPS12
\$11.60

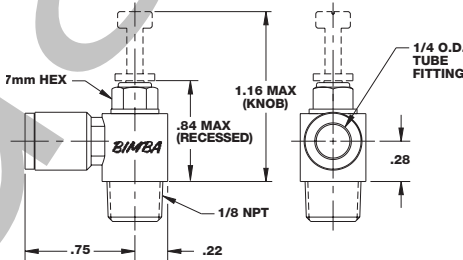
FQPS12K
\$11.60



For 1/8 port,
1/4" OD tubing

FQPS2
\$12.40

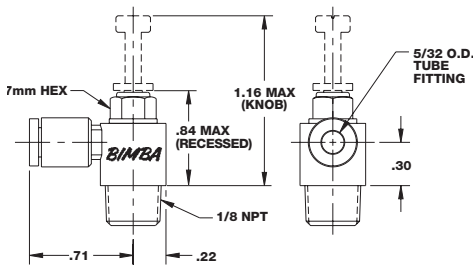
FQPS2K
\$12.40



For 1/8 port,
5/32" OD tubing

FQPS21
\$11.35

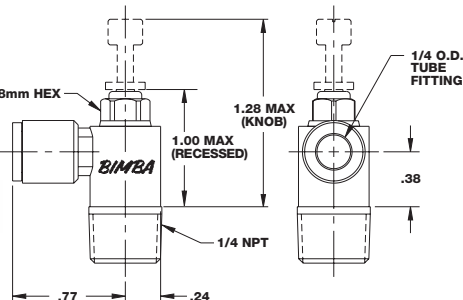
FQPS21K
\$11.35



For 1/4 port,
1/4" OD tubing

FQPS44
\$16.00

FQPS44K
\$16.00



Materials:

Adjusting knob and thread:
Nickel-plated brass

Body:
Glass-filled nylon

Tubing:
Nylon, polyurethane and polyethylene tubing

Maximum Operating Pressure:
135 PSI Air Only

Operating Temperature Range:
30 degrees to 160 degrees F
(0°C to 70°C)

Flow Controls

Alignment Couplers

Original Line Cylinders

Cushion Cylinders

MRS Cylinders

Non-Rotating Cylinders

PC Cylinders

Z Line Cylinders

Rod Lock Cylinders

500 Hydraulic Cylinders

Hole Punchers Air Reservoirs

Position Sens Switches

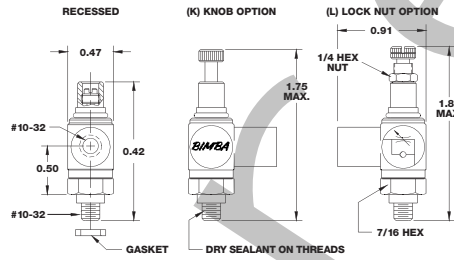
Bimba Flow Controls- FCP Series

FCP1
\$9.55

FCP1K
\$10.50

FCP1L
\$10.80

For 10-32 port



Materials:

Banjo Connector:
Chrome plated,
zinc die cast

Banjo Retaining
Ring:
Zinc plated steel

Stem:
High strength
anodized
aluminum alloy

Adjusting Needle:
Stainless steel

“O” Rings and
Lip Seal:
Buna N

**Maximum
Operating
Pressure:**
150 PSI Air Only

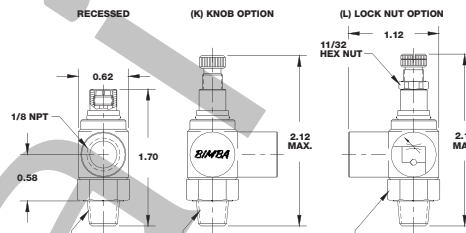
**Operating
Temperature
Range:**
-20 degrees
to +200 degrees F
(-25°C to +95°C)

FCP2
\$11.25

FCP2K
\$12.35

FCP2L
\$12.60

For 1/8 port

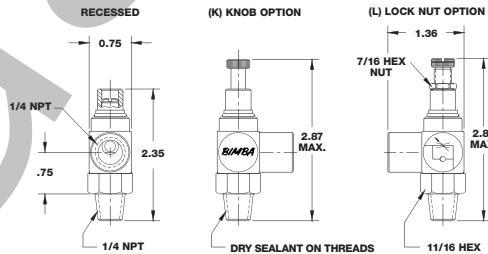


FCP4
\$14.40

FCP4K
\$16.10

FCP4L
\$16.35

For 1/4 port

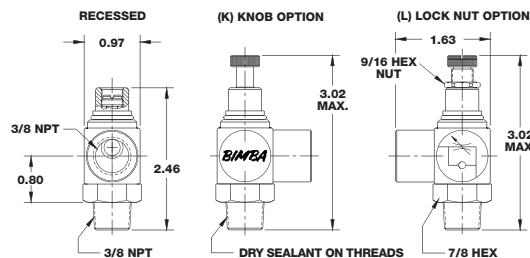


FCP6
\$17.95

FCP6K
\$19.70

FCP6L
\$19.90

For 3/8 port

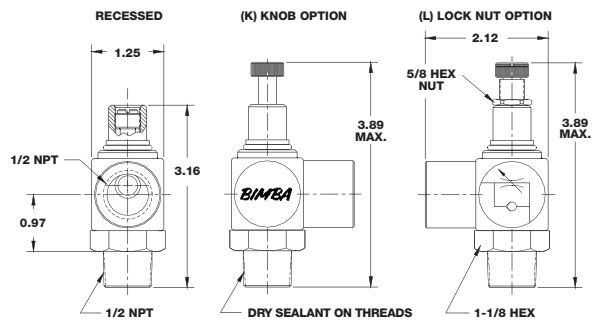


FCP8
\$23.75

FCP8K
\$26.25

FCP8L
\$26.50

For 1/2 port



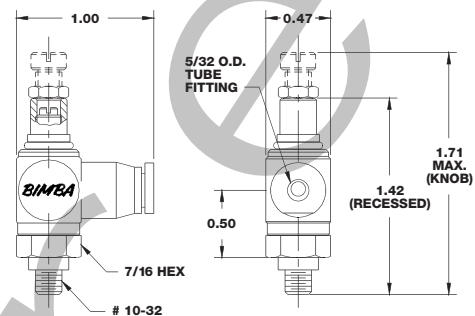
Bimba Quik-Flo® Flow Controls- FQP Series

ORDER
ONLINE

For 10-32 port,
5/32" OD tubing

FQP1
\$10.45

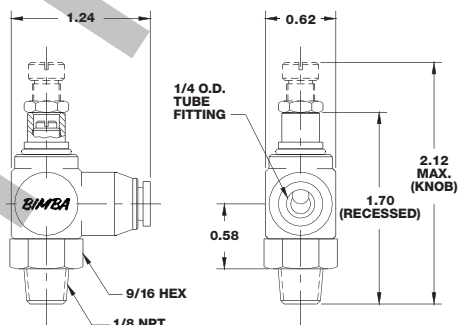
FQP1K
\$12.00



For 1/8 port,
1/4" OD tubing

FQP2
\$12.40

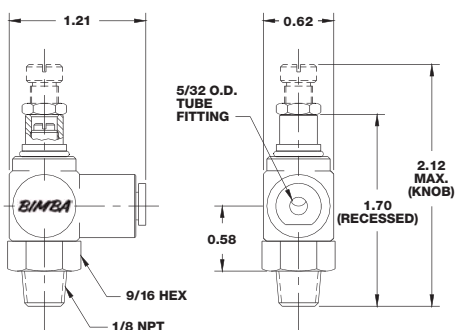
FQP2K
\$14.25



For 1/8 port,
5/32" OD tubing

FQP21
\$12.40

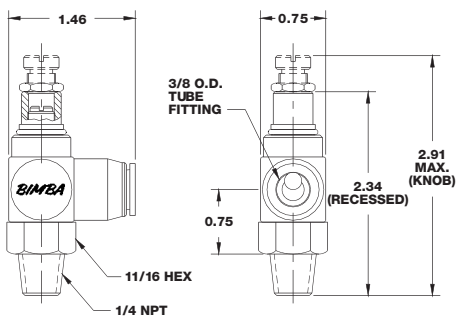
FQP21K
\$14.25



For 1/4 port,
3/8" OD tubing

FQP4
\$15.90

FQP4K
\$18.20



CV Factors for Bimba Flow Controls

The following estimated CV factors apply to Bimba Flow Controls in both the FCP and FQP Series.

Models	Free Flow	Controlled Flow
FCP1, FCP1K, FCP1L, FQP1, FQP1K	0.12	0.09
FCP2, FCP2K, FCP2L, FQP21L, FQP2, FQP2K, FQP21K	0.24	0.21
FCP4, FCP4K, FCP4L, FQP4, FQP4K, FQP44, FQP44K	0.50	0.44
FCP6, FCP6K, FCP6L, FQP6, FQP6K	0.91	0.73
FCP8, FCP8K, FCP8L, FQP8, FQP8K	1.33	1.19

Flow
Controls

Alignment
Couplers

Original Line
Cylinders

Cushion
Cylinders

MRS
Cylinders

Non-Rotating
Cylinders

PC
Cylinders

Z Line
Cylinders

Rod Lock
Cylinders

500 Hydraulic
Cylinders

Hole Punchers
Air Reservoirs

Position Sens
Switches

ORDER
ONLINE

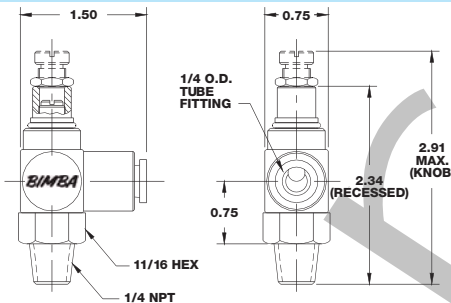
Bimba Quik-Flo® Flow Controls- FQP Series

ORDER
ONLINE

FQP44
\$15.90

FQP44K
\$18.20

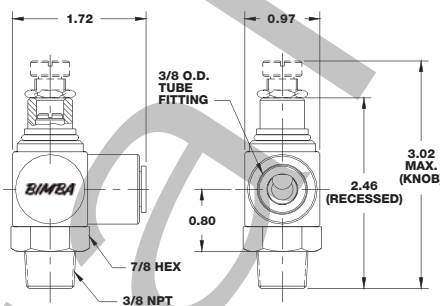
For 1/4 port,
1/4" OD tubing



FQP6
\$19.70

FQP6K
\$22.40

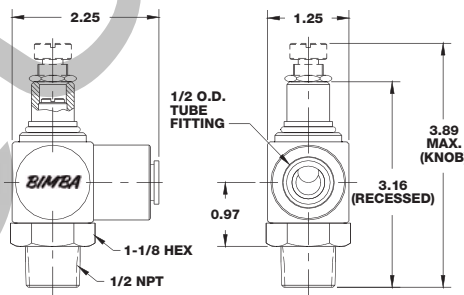
For 3/8 port,
3/8" OD tubing



FQP8
\$25.70

FQP8K
\$28.70

For 1/2 port,
1/2" OD tubing



Materials:

Banjo Connector:
Chrome plated,
zinc die cast

Banjo Retaining Ring:
Zinc plated steel

Stem:
High strength anodized
aluminum alloy

Adjusting Needle:
Stainless steel

"O" Rings and Lip Seal:
Buna N

Collet:
Acetal copolymer

Gripping teeth:
Stainless steel

Collet Retainer
(if applicable):
Brass

Locknut:
Chrome-plated brass

Tube Types:
All plastic tubing,
including nylon and
polyethylene

**Maximum
Operating
Pressure:**
150 PSI Air Only

**Operating
Temperature
Range:**
14 degrees to
+167 degrees F
(-25° to +75°C)

Bimba Needle Valves

Bimba offers a range of Quik-Flo® Needle Valves, allowing for controlled flow of both the air intake and exhaust through the same valve. A needle valve can control a double acting cylinder's extension and retraction by controlling the volume of air entering the cylinder and the volume of air leaving the cylinder.

For additional dimensional information, reference Quik-Flo® Flow Controls on pages 12 and 13. For example, reference FQP1 for QNV1 dimensions.

Model	Price	Tube Size	Port Size	Cv
QNV1	\$10.30	5/32"	#10-32	.09
QNV1K	11.90	5/32"	#10-32	.09
QNV2	12.30	1/4"	1/8" NPT	.21
QNV2K	14.15	1/4"	1/8" NPT	.21
QNV44	15.70	1/4"	1/4" NPT	.44
QNV44K	18.00	1/4"	1/4" NPT	.44
QNV6	19.50	3/8"	3/8" NPT	.73
QNV6K	22.15	3/8"	3/8" NPT	.73

ORDER
ONLINE