

ORDER ONLINE

Bimba Alignment Couplers

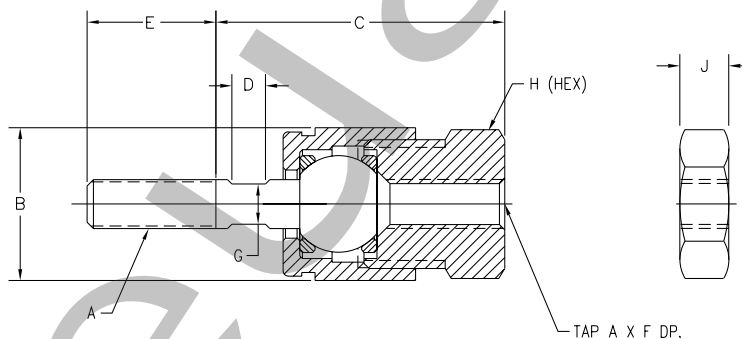
Features and Advantages

- Bimba's miniature coupler design allows excellent freedom of movement on the three new, miniature sizes; #5-40 through #10-32 sizes.
- The miniature couplers allow up to 20 degrees of spherical movement and 0.02" lateral allowance with only .002" of axial play and are manufactured from high tensile, hardened and blackened steel components.
- Larger sizes are available, from 1/4"-28 to 1"-14, with 1 degree of spherical movement and 1/16" of lateral allowance.
- The alignment allowances can eliminate the need for expensive precision machining in rigidly mounted applications.
- Alignment couplers help reduce binding and simplify field alignment problems, enhancing cylinder performance and reducing seal and bearing wear.
- An innovative design to resist vibrational loosening is available on sizes 5/16"-24 and larger. In the ACH style coupler, a slot is milled through the tapped mounting threads. Two socket head cap screws are strategically placed to allow the coupler to be clamped to the rod, offering a superior strength connection.



Dimensions

Models #5-40 through #10-32



Model*	A	B	C	D	E	F
AC8-32	#8-32	17/32"	31/32"	1/8"	3/8"	3/8"
AC8-32	#8-32	17/32"	31/32"	1/8"	3/8"	3/8"
AC10-32	#10-32	19/32"	1-1/8"	1/8"	1/2"	1/2"

Model*	G	H	J	Maximum Pull at Yield (lbs.)	Alignment Allowance		Weight (oz.)	List Price Standard	List Price Stainless Steel
					Lateral	Spherical			
AC5-40	1/8"	3/8"	1/8"	200	0.02	20°	0.3	\$12.00	\$24.00
AC8-32	1/8"	7/16"	1/8"	650	0.02	10°	0.5	14.50	30.00
AC10-32	5/32"	1/2"	1/8"	1200	0.02	10°	0.8	16.00	36.00

List price includes one jam nut

* Specify SS at the end of the part number for Stainless Steel.

Additional Jam Nuts

Size	Part Number	Price	Stainless Steel Part No.	Price
#5-40	D-3745	\$.25	D-3745-SS	\$.40
#8-32	D-D0737	.25	D-D0737-SS	.40
#10-32	D-5288	.25	D-5288-SS	.40

Flow Controls

Alignment Couplers

Original Line Cylinders

Cushion Cylinders

MRS Cylinders

Non-Rotating Cylinders

PC Cylinders

Z Line Cylinders

Rod Lock Cylinders

500 Hydraulic Cylinders

Hole Punchers Air Reservoirs

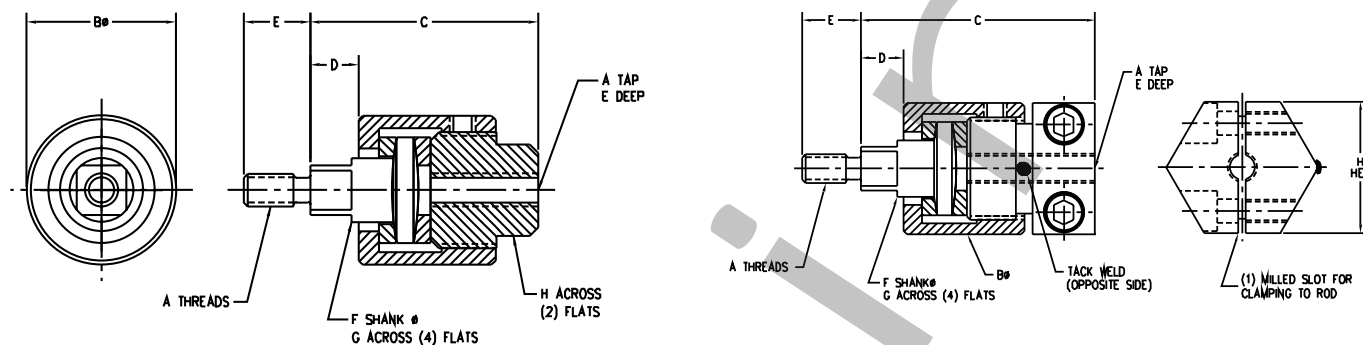
Position Sens Switches

ORDER
ONLINE
Bimba Alignment Couplers

Models 1/4"-28 through 1"-14

Standard Coupler
AC250-AC1000

ACH Coupler
ACH312-ACH1000



1/16" of lateral allowance
1° spherical movement

Part Number	A	B	C	C Hex	D	E	F	G	H	H Hex	Maximum Pull at Yield (lbs.)	List Prices Standard		List Price Stainless Steel *SS
												AC	ACH	
AC250	1/4"-28	1-1/8"	1-3/4"	--	3/8"	1/2"	1/2"	3/8"	11/16"	--	6,000	\$22.70	--	\$48.00
AC312	5/16"-24	1-1/8"	1-3/4"	2"	3/8"	1/2"	1/2"	3/8"	11/16"	1-1/8"	8,300	27.00	\$54.15	57.25
AC375	3/8"-24	1-1/8"	1-3/4"	2"	3/8"	1/2"	1/2"	3/8"	11/16"	1-1/8"	8,300	27.00	54.15	57.25
AC437	7/16"-20	1-1/4"	2"	2-5/32"	7/16"	3/4"	5/8"	1/2"	13/16"	1-1/8"	10,000	34.75	58.45	75.00
AC500	1/2"-20	1-1/4"	2"	2-5/32"	7/16"	3/4"	5/8"	1/2"	13/16"	1-1/8"	14,000	34.75	58.45	75.00
AC625	5/8"-18	1-1/4"	2"	2-5/32"	7/16"	3/4"	5/8"	1/2"	13/16"	1-1/4"	19,000	37.00	58.45	79.90
AC750	3/4"-16	1-3/4"	2-5/16"	2-1/2"	7/16"	1-1/8"	31/32"	13/16"	1-1/8"	1-3/4"	34,000	45.20	81.85	98.75
AC875	7/8"-14	1-3/4"	2-5/16"	2-1/2"	7/16"	1-1/8"	31/32"	13/16"	1-1/8"	1-3/4"	39,000	45.20	81.85	98.75
AC1000	1"-14	2-1/2"	2-15/16"	2-15/16"	7/16"	1-5/8"	1-11/32"	1-5/32"	1-5/8"	2-1/2"	64,000	71.10	110.50	154.50

Please specify AC, ACH coupler when ordering AC750 (Standard Coupler) ACH-750 (Hex Coupler)

Please specify – SS at the end of the part number for Stainless Steel.

Jam nut sold separately for 1/4"-28 through 1"-14 size

*SS valid for AC models only

Jam Nuts

Size	Part Number Standard	Price	Stainless Steel Part No.	Price
1/4"-28	D-344	\$.25	D-344-SS	\$.75
5/16"-24	D-746	.25	D-746-SS	.75
3/8"-24	D-801	.25	D-801-SS	.75
7/16"-20	D-154	.25	D-154-SS	1.00
1/2"-20	D-98	.35	D-98-SS	1.00
5/8"-18	D-9	.35	D-9-SS	1.50
3/4"-16	D-3556	.45	D-3556-SS	2.25
7/8"-14	D-2545	.80	D-2545-SS	5.75
1"-14	D-1331	1.95	D-1331-SS	7.60