

# MRS<sup>®</sup> Magnetic Reed Switch Air Cylinders

ORDER  
ONLINE

Specifically designed to operate Bimba position sensing switches to actuate programmable controllers, relays, solenoids, timers, or any other electrically operated equipment. MRS cylinders have an additional groove in the piston to accommodate a magnet. They differ from the Moption because they combine features of the "Z" line with Original Line construction; check dimensional drawings for each size for more specific information. Type 303 stainless steel rods are standard.

See page 130 for information on Bimba position sensing switches.

## OPTIONS:

### NO CHARGE:

- MAGNALUBE G (G)
- NO THREAD (NT)

### SWITCH TRACK for Standard Reed Switches

- Must specify Z for one track, ZTT for 2 tracks – add \$2.50 per track. See page 140 for details.

Enter Stroke Length as 3rd Digit

## OPTIONS continued...

### DOUBLE ACTING BUMPERS (B)

- $\frac{1}{16}$ " add \$3.65 and .125" to length
- $\frac{3}{4}$ " and  $1\frac{1}{16}$ " add \$3.65 and .250" to length
- $1\frac{1}{4}$ " and  $1\frac{1}{2}$ " add \$4.40 and .250" to length
- $1\frac{3}{4}$ ", 2" and  $2\frac{1}{2}$ " add \$5.65 and .250" to length

### MOLYCOATED BODY (F)

- Add \$2.30 per inch of stroke

### EXTRA EXTENSION (EE)

- Double acting, per inch of extension:
  - $\frac{1}{16}$ " Bore, add \$0.70
  - $\frac{1}{4}$ " Bore, add \$0.90
  - $1\frac{1}{2}$ " and  $1\frac{3}{4}$ " Bore, add \$1.05
  - 2" Bore, add \$1.20
  - $2\frac{1}{2}$ " Bore, add \$1.30

- DXDE, per inch of extension: (added to both ends)

- $\frac{1}{16}$ " Bore, add \$0.90
- $\frac{1}{4}$ " Bore, add \$1.30
- $1\frac{1}{2}$ " and  $1\frac{3}{4}$ " Bore, add \$1.70
- 2" Bore, add \$1.75
- $2\frac{1}{2}$ " Bore, add \$2.05

### PORTS ROTATED 90° (K)\*

### SIDE PORTED REAR HEAD (Q)\*

### NON-LUBE SERVICE (E)

### FLUOROELASTOMER/HIGH TEMPERATURE SEAL (V)


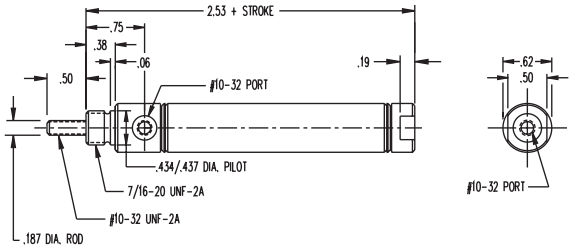

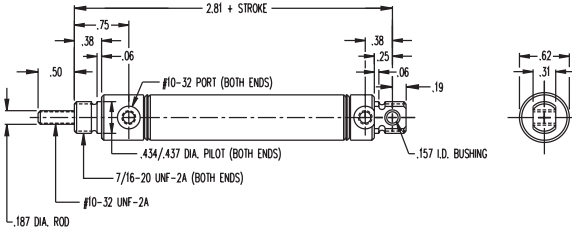
See corresponding standard Original Line bore size catalog page for pricing of options E and V.

\*Consult local distributor for pricing.

### SWITCH TRACK for Miniature Swiches (T2, T3, T4)

- Must specify track(s) for use with miniature position sensing (T2, T3, T4) – add \$2.50 per track. See page 140 for details.

## 9/16" Bore MRS Air Cylinders

MODEL/PRICE	DESCRIPTION/WEIGHT (lbs.)	DIMENSIONS
<p><b>MRS-02</b> <input type="checkbox"/> -D</p>  <p><b>\$22.65</b> BASE PRICE Add \$1.35 per inch of stroke</p>	<p><b>Nose Mount</b> Standard Stroke Lengths: <math>\frac{1}{2}</math>", 1", <math>1\frac{1}{2}</math>", 2", <math>2\frac{1}{2}</math>", 3", 4", 5", 6" Maximum Stroke – 12" Optional Accessory: D-770 Mounting Bracket Base Weight: .10 Adder Per Inch of Stroke: .01</p>	
<p><b>MRS-02</b> <input type="checkbox"/> -DXP</p>  <p><b>\$25.70</b> BASE PRICE Add \$1.35 per inch of stroke</p>	<p><b>Double End or Rear Pivot Mounting</b> Standard Stroke Lengths: <math>\frac{1}{2}</math>", 1", <math>1\frac{1}{2}</math>", 2", <math>2\frac{1}{2}</math>", 3", 4", 5", 6", 7", 8", 9", 10", 11", 12" Maximum Stroke – 12" Optional Accessories: D-12321-A Pivot Bracket D-770 Mounting Bracket D-850 Rod Clevis Base Weight: .10 Adder Per Inch of Stroke: .01</p>	


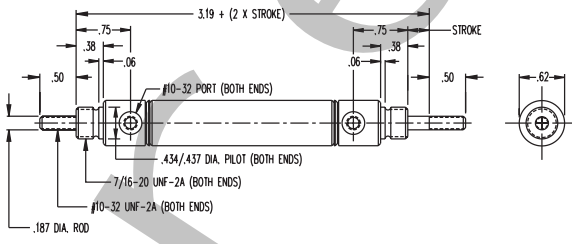
Flow Controls  
Alignment Couplers  
Original Line Cylinders  
Cushion Cylinders  
MRS Cylinders  
Non-Rotating Cylinders  
PC Cylinders  
ZLine Cylinders  
Rod Lock Cylinders  
500 Hydraulic Cylinders  
Hole Punchers Air Reservoirs  
Position Sensing Switches

ORDER  
ONLINE


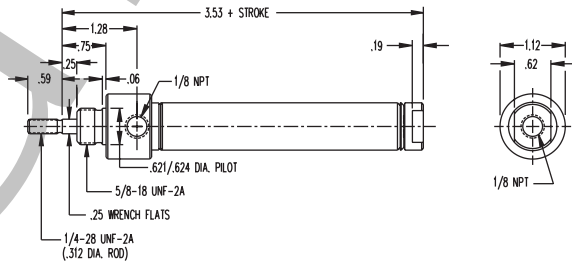

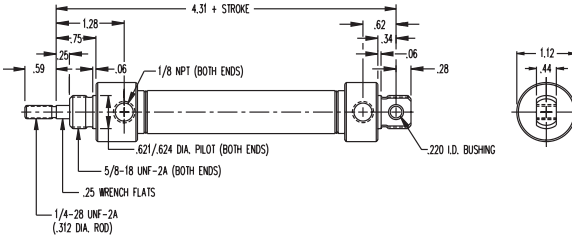

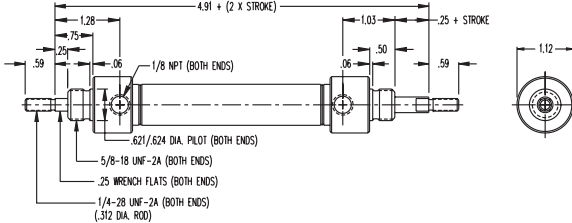
ORDER  
ONLINE

# MRS<sup>®</sup> Magnetic Reed Switch Air Cylinders

## 9/16" Bore MRS Air Cylinders (continued)

MODEL/PRICE	DESCRIPTION/WEIGHT (lbs.)	DIMENSIONS
<p><b>MRS-02</b> <input type="checkbox"/> <b>DXDE</b></p>  <p style="text-align: center;"><b>\$32.00</b> BASE PRICE Add \$1.80 per inch of stroke</p>	<p><b>Double End Rod – Double End Mounting</b>  <b>Standard Stroke Lengths:</b>                      ½", 1", 1½", 2", 2½", 3", 4", 5", 6"                      Maximum Stroke – 12"  <b>Optional Accessory:</b>                      D-770 Mounting Bracket  <b>Base Weight:</b> .14  <b>Adder Per Inch of Stroke:</b> .02</p>	


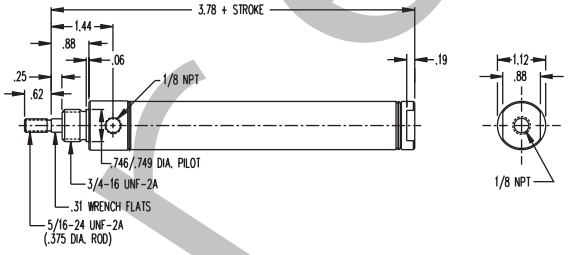

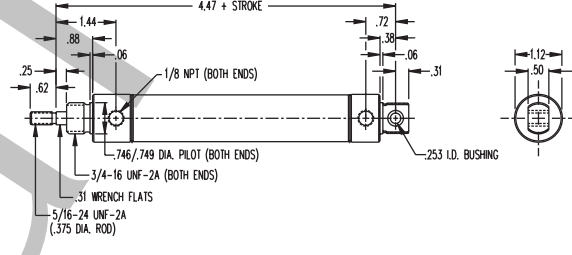

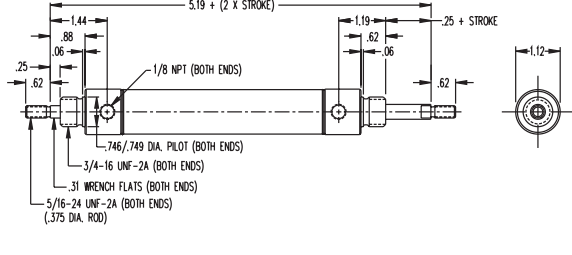
## 3/4" Bore MRS Air Cylinders

MODEL/PRICE	DESCRIPTION/WEIGHT (lbs.)	DIMENSIONS
<p><b>MRS-04</b> <input type="checkbox"/> <b>-D</b></p>  <p style="text-align: center;"><b>\$23.60</b> BASE PRICE Add \$1.35 per inch of stroke</p>	<p><b>Nose Mount</b>  <b>Standard Stroke Lengths:</b>                      ½", 1", 1½", 2", 2½", 3", 4", 5", 6"                      Maximum Stroke – 12"  <b>Optional Accessory:</b>                      D-129 Mounting Bracket  <b>Base Weight:</b> .24  <b>Adder Per Inch of Stroke:</b> .04</p>	
<p><b>MRS-04</b> <input type="checkbox"/> <b>-DXP</b></p>  <p style="text-align: center;"><b>\$26.25</b> BASE PRICE Add \$1.35 per inch of stroke</p>	<p><b>Double End or Rear Pivot Mounting</b>  <b>Standard Stroke Lengths:</b>                      ½", 1", 1½", 2", 2½", 3", 4", 5", 6", 7", 8", 9", 10", 11", 12"                      Maximum Stroke – 32"  <b>Optional Accessories:</b>                      D-10131-A Pivot Bracket                      D-129 Mounting Bracket                      D-10139-A Rod Clevis  <b>Base Weight:</b> .30  <b>Adder Per Inch of Stroke:</b> .06</p>	
<p><b>MRS-04</b> <input type="checkbox"/> <b>DXDE</b></p>  <p style="text-align: center;"><b>\$35.00</b> BASE PRICE Add \$1.80 per inch of stroke</p>	<p><b>Double End Rod – Double End Mounting</b>  <b>Standard Stroke Lengths:</b>                      ½", 1", 1½", 2", 2½", 3", 4", 5", 6"                      Maximum Stroke – 12"  <b>Optional Accessory:</b>                      D-129 Mounting Bracket  <b>Base Weight:</b> .41  <b>Adder Per Inch of Stroke:</b> .06</p>	


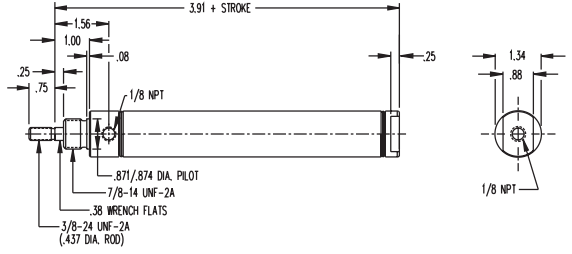
# MRS<sup>®</sup> Magnetic Reed Switch Air Cylinders

ORDER ONLINE

## 1-1/16" Bore MRS Air Cylinders

MODEL/PRICE	DESCRIPTION/WEIGHT (lbs.)	DIMENSIONS
<b>MRS-09□-D</b>  <b>\$28.40</b> BASE PRICE Add \$1.35 per inch of stroke	<b>Nose Mount</b> Standard Stroke Lengths: ½", 1", 1½", 2", 2½", 3", 4", 5", 6" Maximum Stroke - 12" Optional Accessory: D-8315 Mounting Bracket Base Weight: .37 Adder Per Inch of Stroke: .05	
<b>MRS-09□-DXP</b>  <b>\$31.45</b> BASE PRICE Add \$1.35 per inch of stroke	<b>Double End or Rear Pivot Mounting</b> Standard Stroke Lengths: ½", 1", 1½", 2", 2½", 3", 4", 5", 6", 7", 8", 9", 10", 11", 12" Maximum Stroke - 32" Optional Accessories: D-8321-A Pivot Bracket D-8315 Mounting Bracket D-8309-A Rod Clevis Base Weight: .42 Adder Per Inch of Stroke: .05	
<b>MRS-09□DXDE</b>  <b>\$37.55</b> BASE PRICE Add \$1.80 per inch of stroke	<b>Double End Rod - Double End Mounting</b> Standard Stroke Lengths: ½", 1", 1½", 2", 2½", 3", 4", 5", 6" Maximum Stroke - 12" Optional Accessory: D-8315 Mounting Bracket Base Weight: .60 Adder Per Inch of Stroke: .08	

## 1-1/4" Bore MRS Air Cylinders


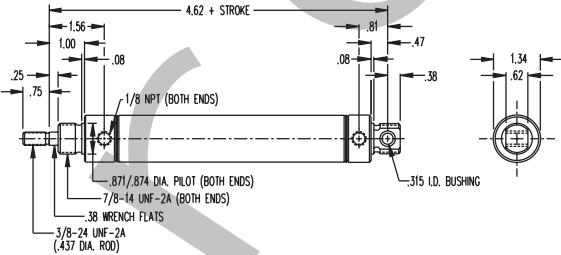

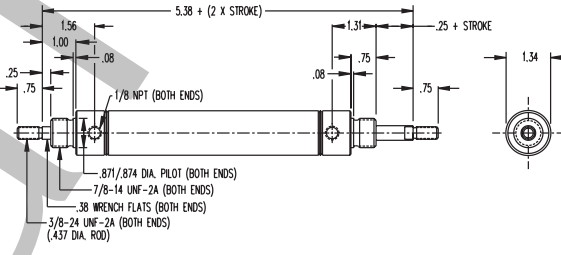
MODEL/PRICE	DESCRIPTION/WEIGHT (lbs.)	DIMENSIONS
<b>MRS-12□-D</b>  <b>\$35.40</b> BASE PRICE Add \$1.80 per inch of stroke	<b>Nose Mount</b> Standard Stroke Lengths: ½", 1", 1½", 2", 2½", 3", 4", 5", 6" Maximum Stroke - 12" Optional Accessory: D-8316 Mounting Bracket Base Weight: .51 Adder Per Inch of Stroke: .07	

Flow Controls  
 Alignment Couplers  
 Original Line Cylinders  
 Cushion Cylinders  
 MRS Cylinders  
 Non-Rotating Cylinders  
 PC Cylinders  
 Z-Line Cylinders  
 Rod Lock Cylinders  
 500 Hydraulic Cylinders  
 Hole Punchers Air Reservoirs  
 Position Sens Switches


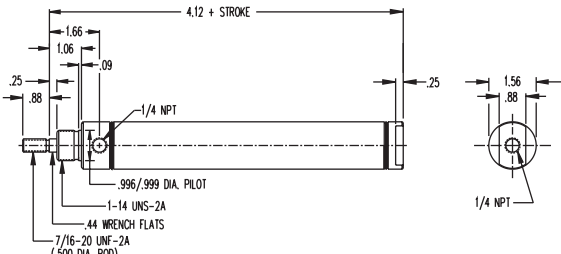

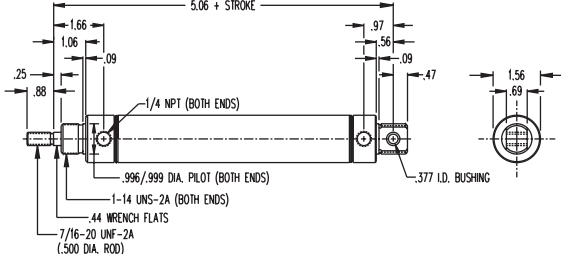
ORDER ONLINE

# ORDER ONLINE MRS<sup>®</sup> Magnetic Reed Switch Air Cylinders

## 1-1/4" Bore MRS Air Cylinders (continued)

MODEL/PRICE	DESCRIPTION/WEIGHT (lbs.)	DIMENSIONS
 <p><b>MRS-12□-DXP</b></p> <p><b>\$39.35</b> BASE PRICE Add \$1.80 per inch of stroke</p>	<p><b>Double End or Rear Pivot Mounting</b>  <b>Standard Stroke Lengths:</b>                      ½", 1", 1½", 2", 2½", 3", 4", 5", 6", 7", 8", 9", 10", 11", 12"                      Maximum Stroke – 32"  <b>Optional Accessories:</b>                      D-8322-A Pivot Bracket                      D-8316 Mounting Bracket                      D-8310-A Rod Clevis                      Base Weight: .61                      Adder Per Inch of Stroke: .05</p>	
 <p><b>MRS-12□DXDE</b></p> <p><b>\$49.75</b> BASE PRICE Add \$2.60 per inch of stroke</p>	<p><b>Double End Rod – Double End Mounting</b>  <b>Standard Stroke Lengths:</b>                      ½", 1", 1½", 2", 2½", 3", 4", 5", 6"                      Maximum Stroke – 12"  <b>Optional Accessory:</b>                      D-8316 Mounting Bracket                      Base Weight: .70                      Adder Per Inch of Stroke: .14</p>	


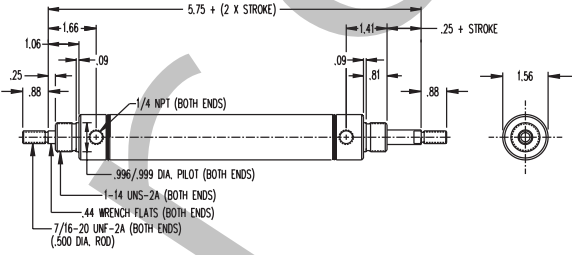
## 1-1/2" Bore MRS Air Cylinders

MODEL/PRICE	DESCRIPTION/WEIGHT (lbs.)	DIMENSIONS
 <p><b>MRS-17□-D</b></p> <p><b>\$42.15</b> BASE PRICE Add \$2.10 per inch of stroke</p>	<p><b>Nose Mount</b>  <b>Standard Stroke Lengths:</b>                      ½", 1", 1½", 2", 2½", 3", 4", 5", 6"                      Maximum Stroke – 12"  <b>Optional Accessory:</b>                      D-8317 Mounting Bracket                      Base Weight: .74                      Adder Per Inch of Stroke: .10</p>	
 <p><b>MRS-17□-DXP</b></p> <p><b>\$46.00</b> BASE PRICE Add \$2.10 per inch of stroke</p>	<p><b>Double End or Rear Pivot Mounting</b>  <b>Standard Stroke Lengths:</b>                      ½", 1", 1½", 2", 2½", 3", 4", 5", 6", 7", 8", 9", 10", 11", 12"                      Maximum Stroke – 32"  <b>Optional Accessories:</b>                      D-8323-A Pivot Bracket                      D-8317 Mounting Bracket                      D-8311-A Rod Clevis                      Base Weight: .87                      Adder Per Inch of Stroke: .10</p>	


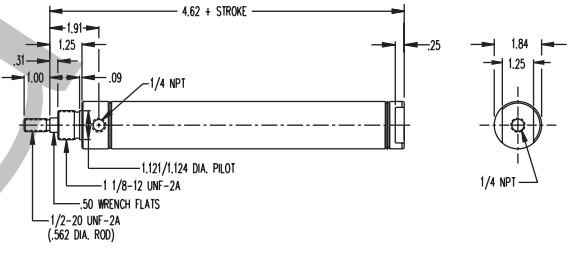

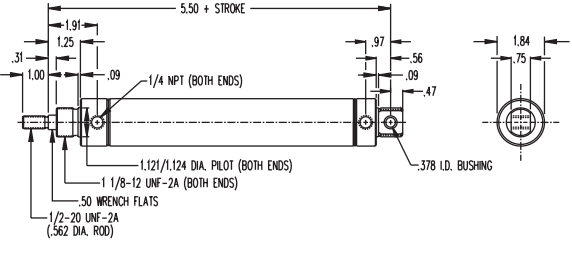

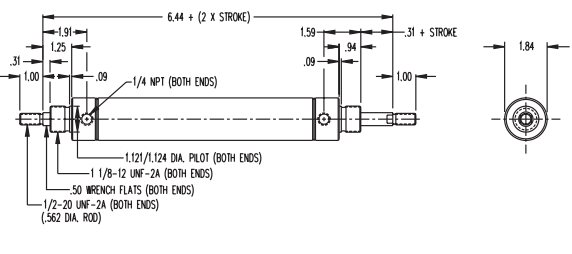
# MRS<sup>®</sup> Magnetic Reed Switch Air Cylinders

ORDER  
ONLINE

## 1-1/2" Bore MRS Air Cylinders (continued)

MODEL/PRICE	DESCRIPTION/WEIGHT (lbs.)	DIMENSIONS
<b>MRS-17□-DXDE</b>  <b>\$53.05</b> BASE PRICE Add \$3.35 per inch of stroke	<b>Double End Rod – Double End Mounting</b> <b>Standard Stroke Lengths:</b> ½", 1", 1½", 2", 2½", 3", 4", 5", 6" <b>Maximum Stroke – 12"</b> <b>Optional Accessory:</b> D-8317 Mounting Bracket <b>Base Weight: .94</b> <b>Adder Per Inch of Stroke: .20</b>	

## 1-3/4" Bore MRS Air Cylinders


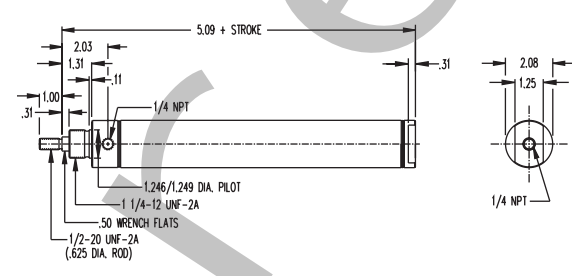

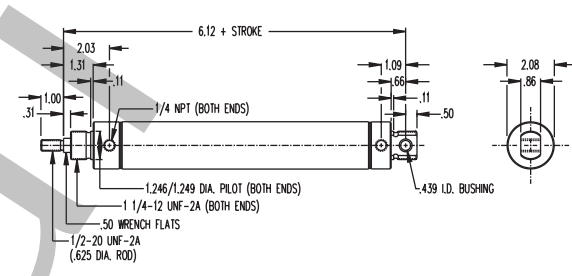

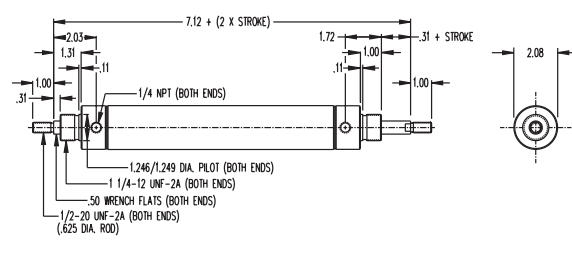
MODEL/PRICE	DESCRIPTION/WEIGHT (lbs.)	DIMENSIONS
<b>MRS-24□-D</b>  <b>\$48.55</b> BASE PRICE Add \$2.10 per inch of stroke	<b>Nose Mount</b> <b>Standard Stroke Lengths:</b> ½", 1", 1½", 2", 2½", 3", 4", 5", 6" <b>Maximum Stroke – 12"</b> <b>Optional Accessory:</b> D-8318 Mounting Bracket <b>Base Weight: 1.14</b> <b>Adder Per Inch of Stroke: .13</b>	
<b>MRS-24□-DXP</b>  <b>\$53.40</b> BASE PRICE Add \$2.10 per inch of stroke	<b>Double End or Rear Pivot Mounting</b> <b>Standard Stroke Lengths:</b> ½", 1", 1½", 2", 2½", 3", 4", 5", 6", 7", 8", 9", 10", 11", 12" <b>Maximum Stroke – 32"</b> <b>Optional Accessories:</b> D-8324-A Pivot Bracket D-8318 Mounting Bracket D-8312-A Rod Clevis <b>Base Weight: 1.30</b> <b>Adder Per Inch of Stroke: .13</b>	
<b>MRS-24□-DXDE</b>  <b>\$66.85</b> BASE PRICE Add \$3.35 per inch of stroke	<b>Double End Rod – Double End Mounting</b> <b>Standard Stroke Lengths:</b> ½", 1", 1½", 2", 2½", 3", 4", 5", 6" <b>Maximum Stroke – 12"</b> <b>Optional Accessory:</b> D-8318 Mounting Bracket <b>Base Weight: 1.40</b> <b>Adder Per Inch of Stroke: .26</b>	

Flow Controls  
Alignment Couplers  
Original Line Cylinders  
Cushion Cylinders  
MRS Cylinders  
Non-Rotating Cylinders  
PC Cylinders  
ZLine Cylinders  
Rod Lock Cylinders  
500 Hydraulic Cylinders  
Hole Punchers Air Reservoirs  
Position Sens Switches


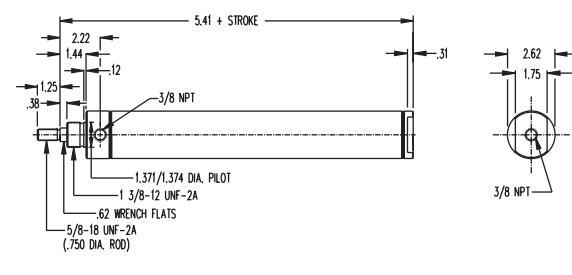
ORDER  
ONLINE

# ORDER ONLINE MRS® Magnetic Reed Switch Air Cylinders

## 2" Bore MRS Air Cylinders


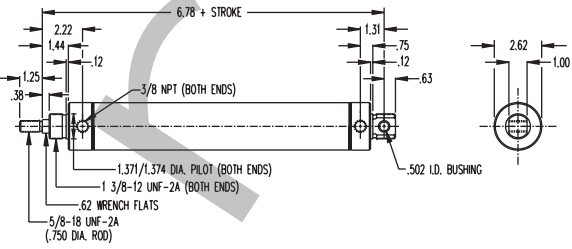

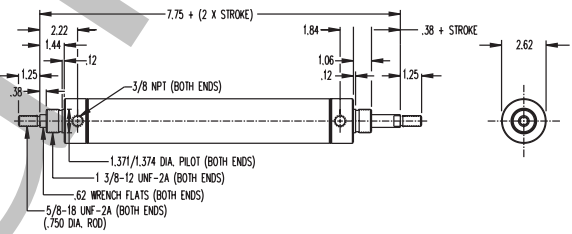
MODEL/PRICE	DESCRIPTION/WEIGHT (lbs.)	DIMENSIONS
<p><b>MRS-31</b> □ -D</p>  <p><b>\$54.85</b> BASE PRICE Add \$2.40 per inch of stroke</p>	<p><b>Nose Mount</b> Standard Stroke Lengths: ½", 1", 1½", 2", 2½", 3", 4", 5", 6" Maximum Stroke – 12" Optional Accessory: D-8319 Mounting Bracket Base Weight: 1.55 Adder Per Inch of Stroke: .15</p>	
<p><b>MRS-31</b> □ -DXP</p>  <p><b>\$60.25</b> BASE PRICE Add \$2.40 per inch of stroke</p>	<p><b>Double End or Rear Pivot Mounting</b> Standard Stroke Lengths: ½", 1", 1½", 2", 2½", 3", 4", 5", 6", 7", 8", 9", 10", 11", 12" Maximum Stroke – 32" Optional Accessories: D-8325-A Pivot Bracket D-8319 Mounting Bracket D-8313-A Rod Clevis Base Weight: 1.80 Adder Per Inch of Stroke: .15</p>	
<p><b>MRS-31</b> □ DXDE</p>  <p><b>\$71.75</b> BASE PRICE Add \$3.45 per inch of stroke</p>	<p><b>Double End Rod – Double End Mounting</b> Standard Stroke Lengths: ½", 1", 1½", 2", 2½", 3", 4", 5", 6" Maximum Stroke – 12" Optional Accessory: D-8319 Mounting Bracket Base Weight: 1.90 Adder Per Inch of Stroke: .30</p>	

## 2-1/2" Bore MRS Air Cylinders

MODEL/PRICE	DESCRIPTION/WEIGHT (lbs.)	DIMENSIONS
<p><b>MRS-50</b> □ -D</p>  <p><b>\$69.65</b> BASE PRICE Add \$2.60 per inch of stroke</p>	<p><b>Nose Mount</b> Standard Stroke Lengths: ½", 1", 1½", 2", 2½", 3", 4", 5", 6" Maximum Stroke – 12" Optional Accessory: D-8320 Mounting Bracket Base Weight: 2.48 Adder Per Inch of Stroke: .20</p>	

# ORDER ONLINE MRS® Magnetic Reed Switch Air Cylinders

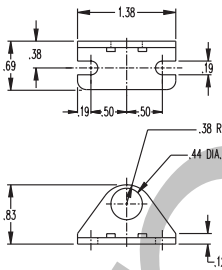
## 2-1/2" Bore MRS Air Cylinders (continued)

MODEL/PRICE	DESCRIPTION/WEIGHT (lbs.)	DIMENSIONS
 <p><b>MRS-50□-DXP</b></p> <p><b>\$77.60</b> BASE PRICE Add \$2.60 per inch of stroke</p>	<p><b>Double End or Rear Pivot Mounting</b></p> <p><b>Standard Stroke Lengths:</b> 1/2", 1", 1 1/2", 2", 2 1/2", 3", 4", 5", 6", 7", 8", 9", 10", 11", 12"</p> <p>Maximum Stroke - 32"</p> <p><b>Optional Accessories:</b> D-8326-A Pivot Bracket D-8320 Mounting Bracket D-8314-A Rod Clevis</p> <p>Base Weight: 2.90 Adder Per Inch of Stroke: .20</p>	
 <p><b>MRS-50□DXDE</b></p> <p><b>\$91.20</b> BASE PRICE Add \$4.05 per inch of stroke</p>	<p><b>Double End Rod - Double End Mounting</b></p> <p><b>Standard Stroke Lengths:</b> 1/2", 1", 1 1/2", 2", 2 1/2", 3", 4", 5", 6"</p> <p>Maximum Stroke - 12"</p> <p><b>Optional Accessory:</b> D-8320 Mounting Bracket</p> <p>Base Weight: 3.15 Adder Per Inch of Stroke: .40</p>	

## MRS Accessories

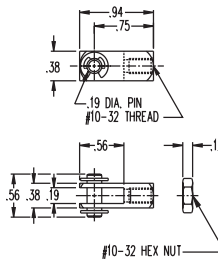
### 9/16" Bore Accessories

**D-770**  
\$2.05



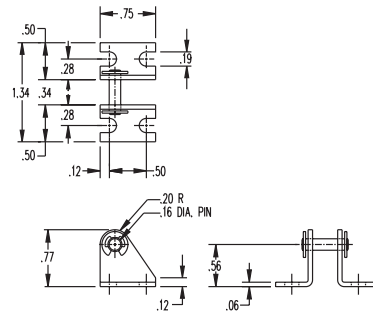
Mounting Bracket

**D-850**  
\$2.90



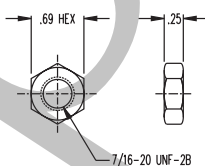
Rod Clevis

**D-12321-A**  
\$3.15



Pivot Bracket

**D-154**  
\$.25

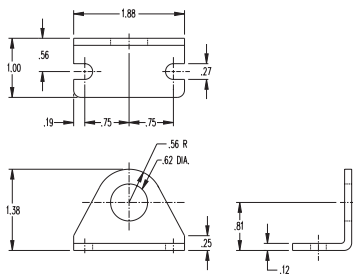


Mounting Nut

Flow Controls  
 Alignment Couplers  
 Original Line Cylinders  
 Cushion Cylinders  
 MRS Cylinders  
 Non-Rotating Cylinders  
 PC Cylinders  
 ZLine Cylinders  
 Rod Lock Cylinders  
 500 Hydraulic Cylinders  
 Hole Punchers Air Reservoirs  
 Position Sens Switches

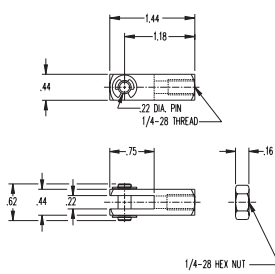
## 3/4" Bore Accessories

**D-129**  
\$2.30



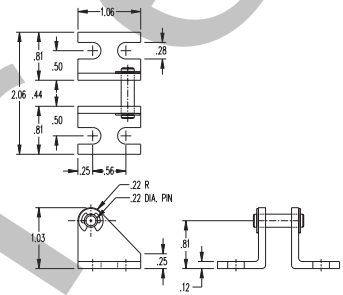
Mounting Bracket

**D-10139-A**  
\$5.30



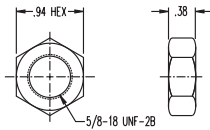
Rod Clevis

**D-10131-A**  
\$3.15



Pivot Bracket

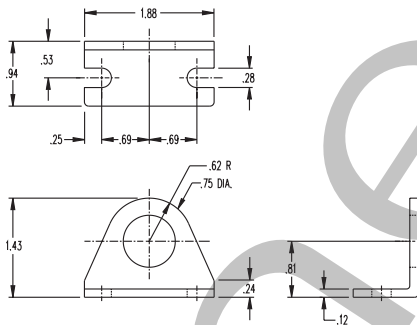
**D-9**  
\$0.35



Mounting Nut

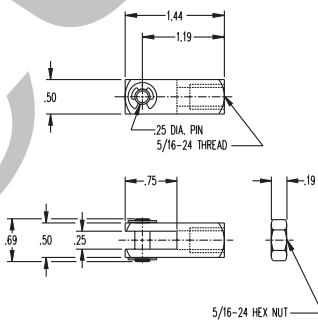
## 1-1/16" Bore Accessories

**D-8315**  
\$2.70



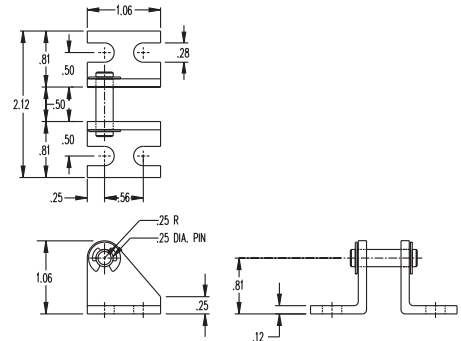
Mounting Bracket

**D-8309-A**  
\$5.40



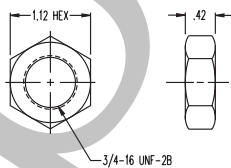
Rod Clevis

**D-8321-A**  
\$3.45



Pivot Bracket

**D-3556**  
\$0.45

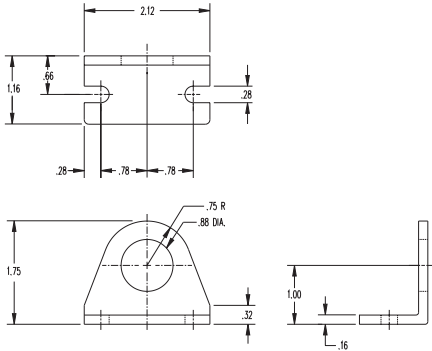


Mounting Nut



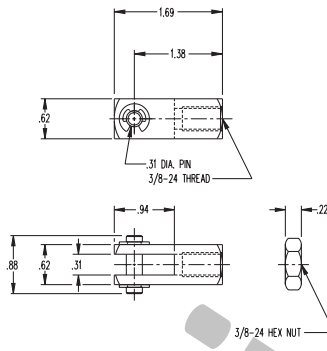
## 1-1/4" Bore Accessories

**D-8316**  
\$3.65



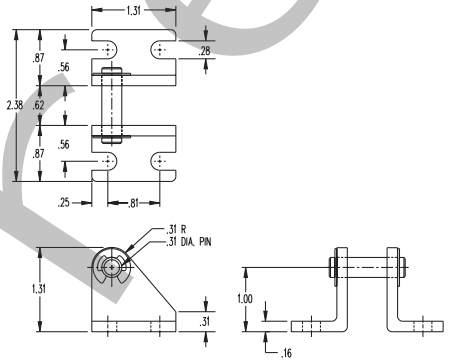
Mounting Bracket

**D-8310-A**  
\$5.65



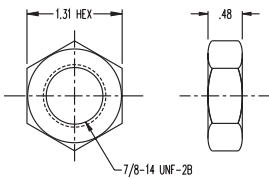
Rod Clevis

**D-8322-A**  
\$4.90



Pivot Bracket

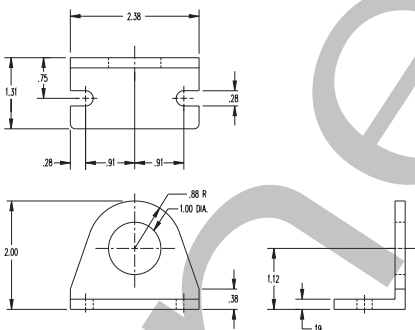
**D-2545**  
\$.80



Mounting Nut

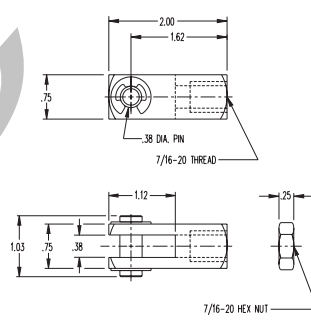
## 1-1/2" Bore Accessories

**D-8317**  
\$4.95



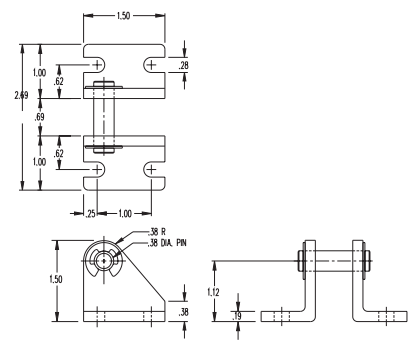
Mounting Bracket

**D-8311-A**  
\$6.30



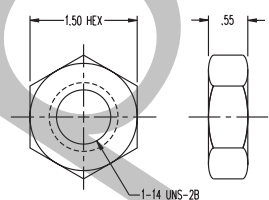
Rod Clevis

**D-8323-A**  
\$6.15



Pivot Bracket

**D-1331**  
\$1.95

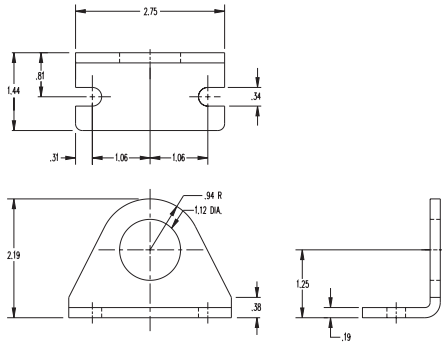


Mounting Nut

- Flow Controls
- Alignment Couplers
- Original Line Cylinders
- Cushion Cylinders
- MRS Cylinders
- Non-Rotating Cylinders
- PC Cylinders
- ZLine Cylinders
- Rod Lock Cylinders
- 500 Hydraulic Cylinders
- Hole Punchers Air Reservoirs
- Position Sens Switches

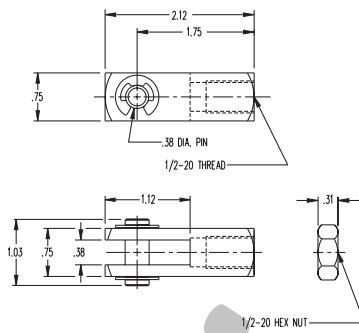
## 1-3/4" Bore Accessories

**D-8318**  
\$5.60



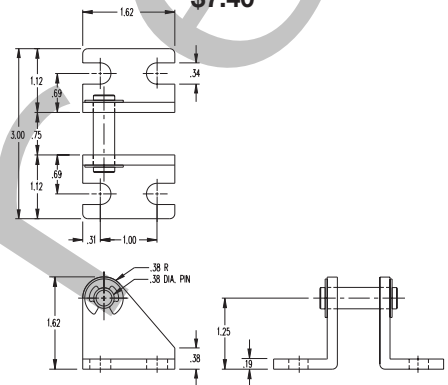
*Mounting Bracket*

**D-8312-A**  
\$7.20



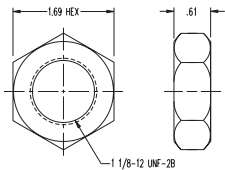
*Rod Clevis*

**D-8324-A**  
\$7.40



*Pivot Bracket*

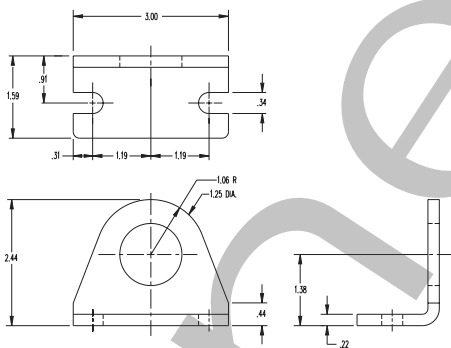
**D-8484**  
\$2.90



*Mounting Nut*

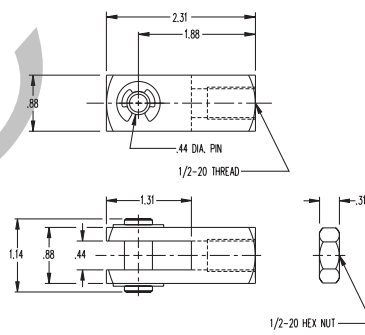
## 2" Bore Accessories

**D-8319**  
\$6.15



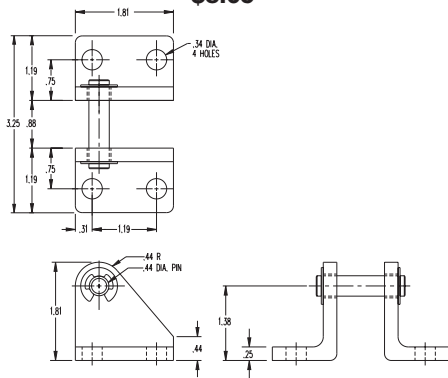
*Mounting Bracket*

**D-8313-A**  
\$9.05



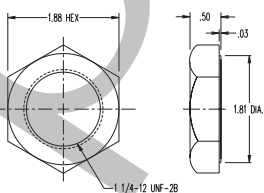
*Rod Clevis*

**D-8325-A**  
\$8.65



*Pivot Bracket*

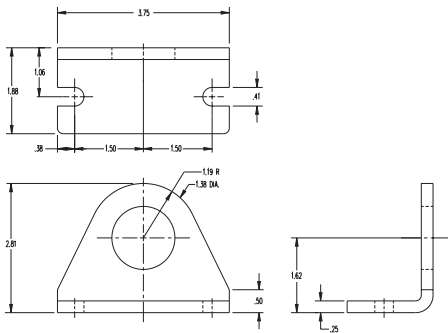
**D-508**  
\$2.90



*Mounting Nut*

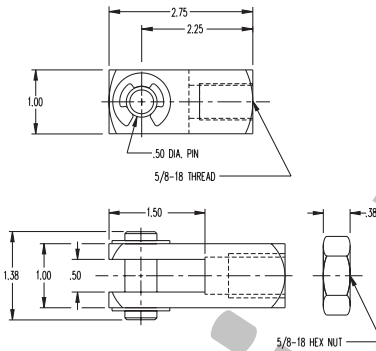
## 2-1/2" Bore Accessories

**D-8320**  
\$6.80



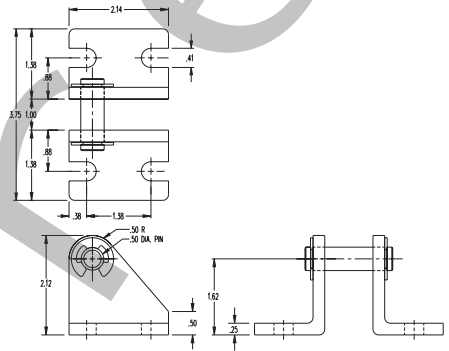
*Mounting Bracket*

**D-8314-A**  
\$10.70



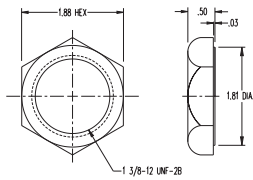
*Rod Clevis*

**D-8326-A**  
\$9.70



*Pivot Bracket*

**D-2540**  
\$3.70



*Mounting Nut*

Pneumatic

Flow Controls
Alignment Couplers
Original Line Cylinders
Cushion Cylinders
MRS Cylinders
Non-Rotating Cylinders
PC Cylinders
ZLine Cylinders
Rod Lock Cylinders
500 Hydraulic Cylinders
Hole Punchers Air Reservoirs
Position Sen Switches