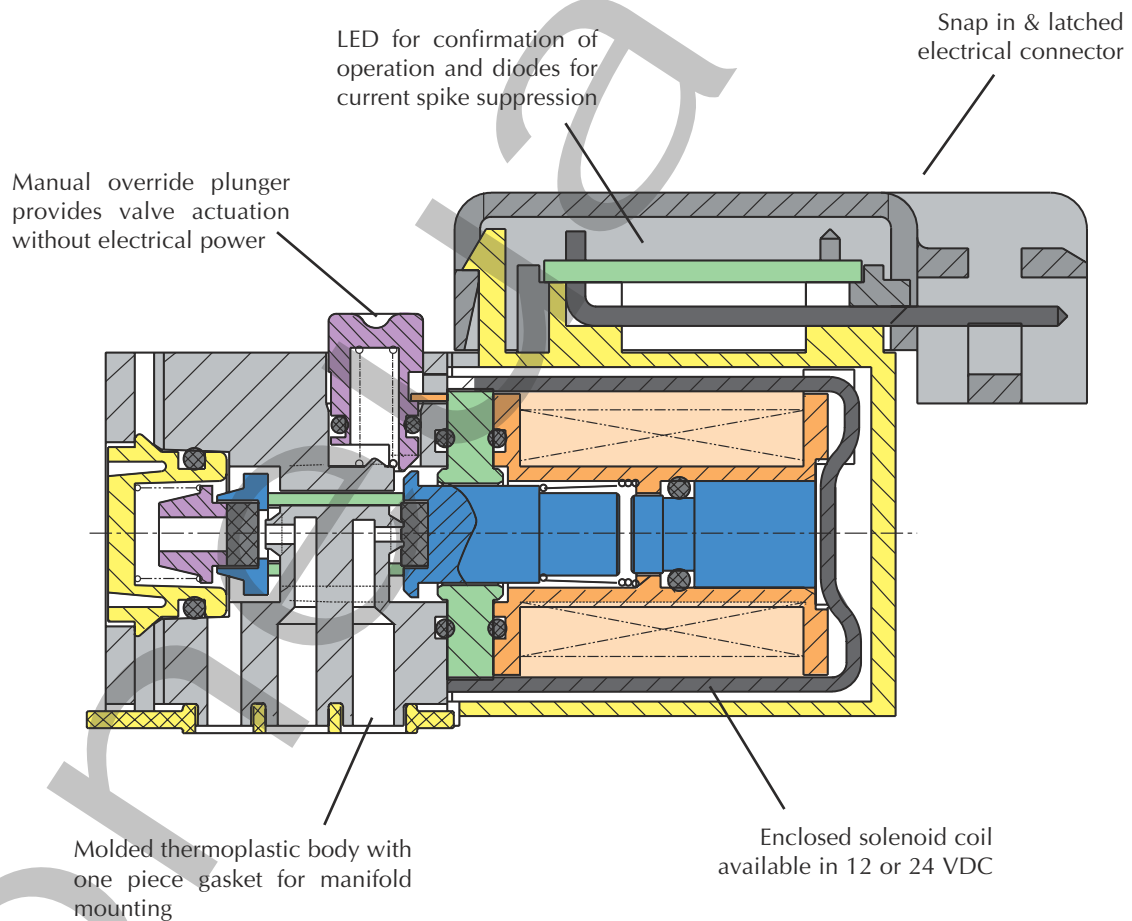


EE3 SERIES SUB-MINIATURE VALVES

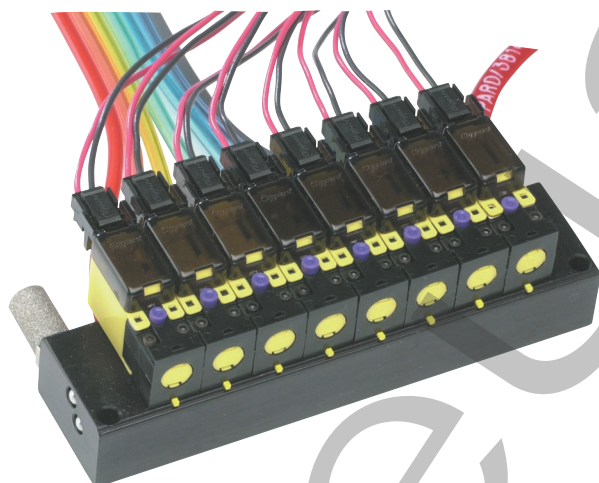
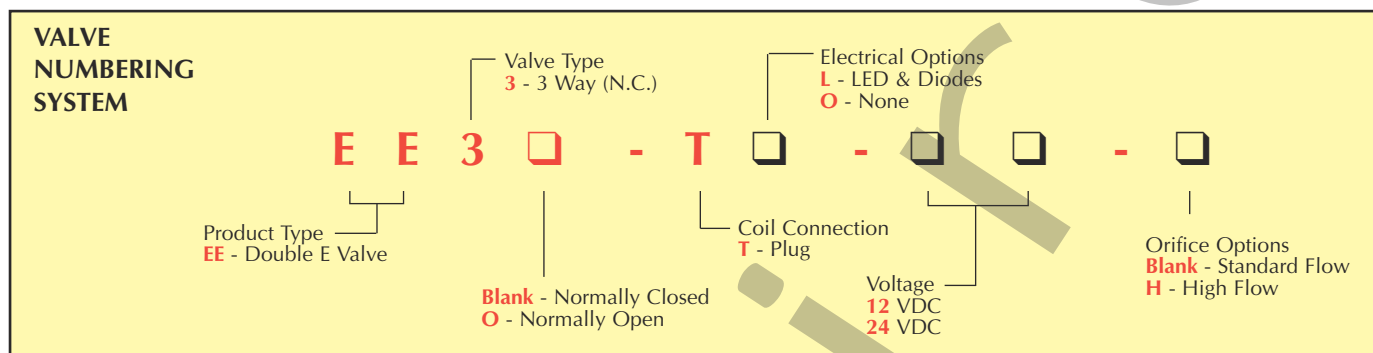


EE3 SERIES SUBMINIATURE VALVES





EE3 SERIES SUB-MINIATURE VALVES



All the benefits of Clippard quality and reliability are available in our Double E-3 normally closed 3-way valve, an American made 10 mm subminiature electronic valve. A normally open model is also available.

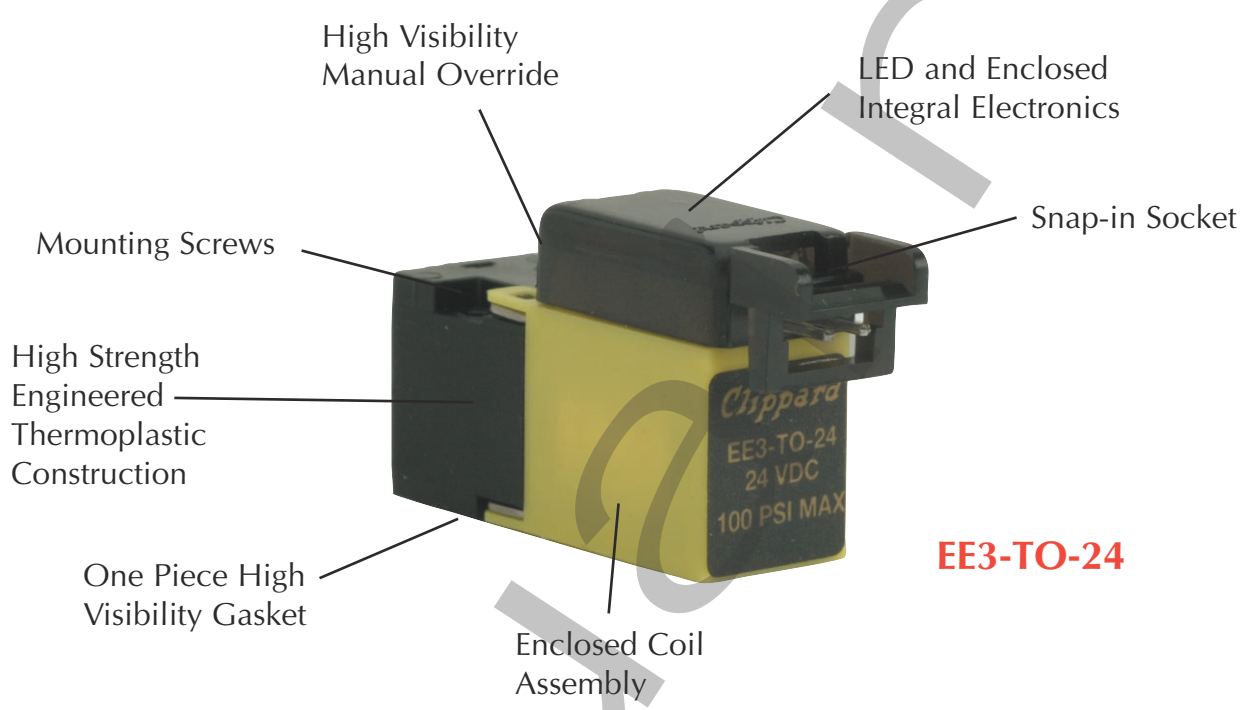
The Double E-3 has a high strength, lightweight engineered thermoplastic body, making it suitable for a wide range of applications. Since it has few moving parts, the Double E-3 is subject to less wear, and has a longer life.

Double E-3 Valves are available factory assembled on manifolds

Features

- Made in USA
- Miniature size
- 12 and 24 VDC
- Direct acting
- Fast response
- Few moving parts
- High flow/low power
- Made of high strength engineered thermoplastic
- Manifold mount
- LED for confirmation of operation
- Spike suppression diodes
- High visibility manual override
- Universal orientation
- Enclosed integral electronics
- One-piece gasket eases installation
- Short stroke, low mass poppet
- Corrosion resistant molded body
- Electrical plug snaps in - clip latched

EE3 SERIES SUB-MINIATURE VALVES



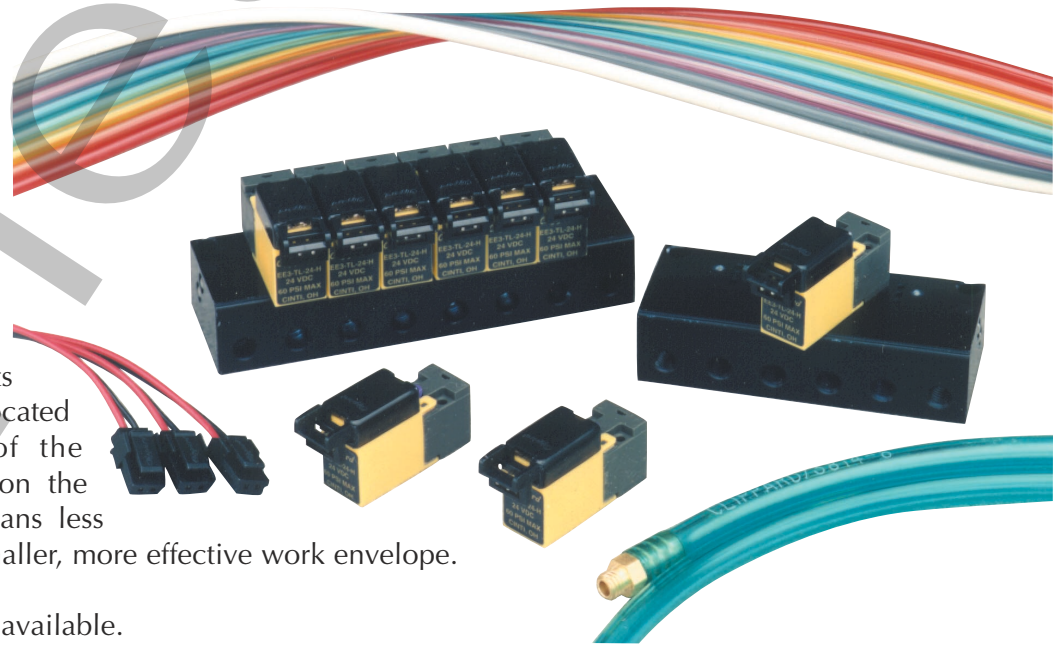
EE3-TO-24

Unique Porting Method

Unlike other valves, Double E-3 supply ports and exhaust ports are located on the output side of the manifold, rather than on the manifold ends. This means less space required, and a smaller, more effective work envelope.

Other configurations are available.

Double E-3 valves are available factory assembled on manifolds.





EE3 SERIES 3-WAY SUB-MINIATURE VALVES

EE3-T□-□

Double-E 3-way valve normally closed

Response: 10 milliseconds

Manual Override: High visibility momentary push button

Material: Wetted parts are acetal, nylon, nickel plated steel, stainless steel, and Buna-N

Temperature Range: 30° - 180° F



Electrical Connection: Custom plug with 12" long #22 AWG, 19 strand, 105°C PVC insulation lead wires

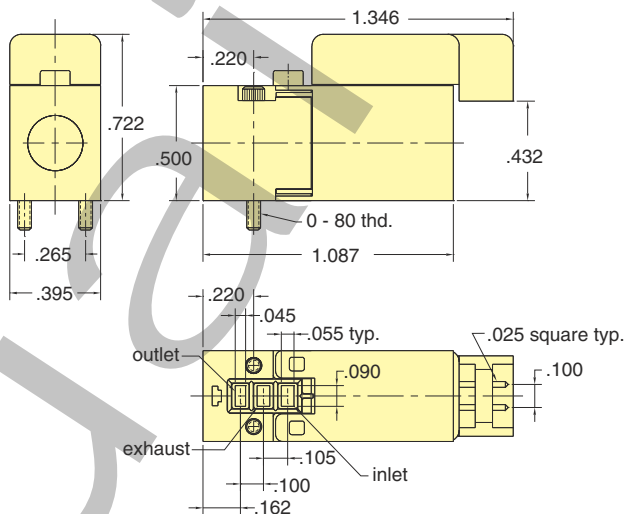
Power Consumption:
1.4 watts (with LED and diodes)
1.1 watts (24 VDC coil only)

Medium: air, gas

Pressure: Standard: 0-100 PSI
High Flow: 0-60 PSI

Air Flow: Standard: 30 scfh @ 100 PSI
High Flow: 30 scfh @ 60 PSI

Electrical: 12 VDC or 24 VDC - Allowable variation ± 10%
LED and spike suppression diodes standard (No LED and diodes option available)



EE30-T□-□

Double-E 3-way valve normally open

Response: 10 milliseconds

Manual Override: High visibility momentary push button

Material: Wetted parts are acetal, nylon, nickel plated steel, stainless steel, and Buna-N

Temperature Range: 30° - 180° F



Electrical Connection: Custom plug with 12" long #22 AWG, 19 strand, 105°C PVC insulation lead wires

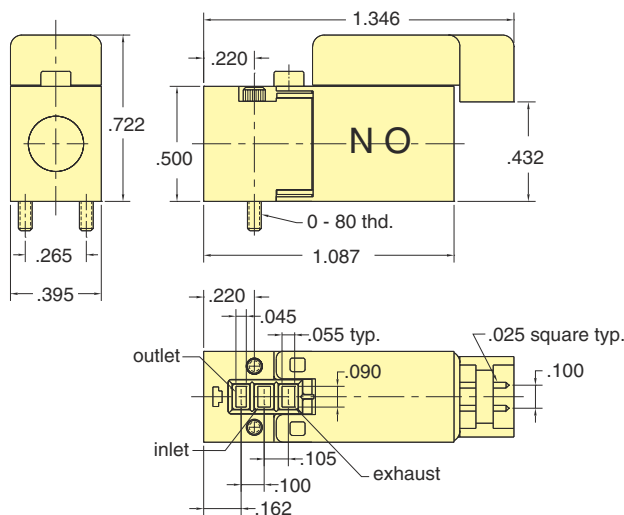
Power Consumption:
1.4 watts (with LED and diodes)
1.1 watts (24 VDC coil only)

Medium: air, gas

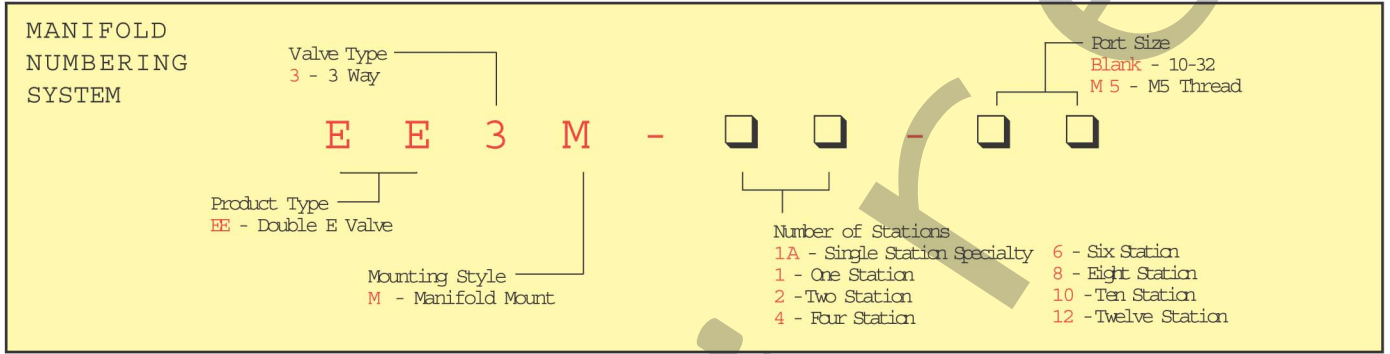
Pressure: Standard: 0-100 PSI
High Flow: 0-60 PSI

Air Flow: Standard: 30 scfh @ 100 PSI
High Flow: 30 scfh @ 60 PSI

Electrical: 12 VDC or 24 VDC - Allowable variation ± 10%
LED and spike suppression diodes standard (No LED and diodes option available)

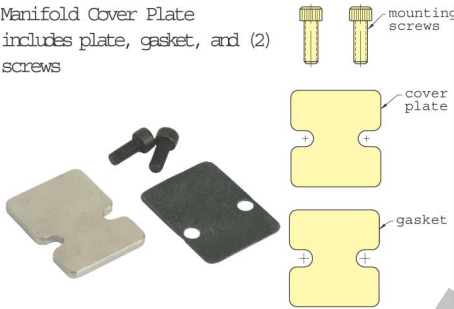


EE3 SERIES SUB-MINIATURE VALVE M ANIFOLDS



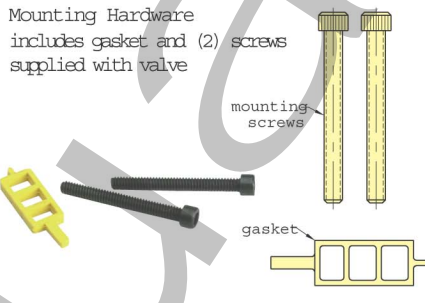
EE3M-CP

Manifold Cover Plate includes plate, gasket, and (2) screws



EE3M-MH

Mounting Hardware includes gasket and (2) screws supplied with valve

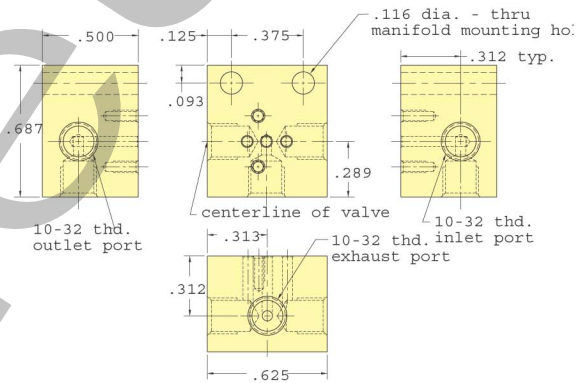


C2A-RB12

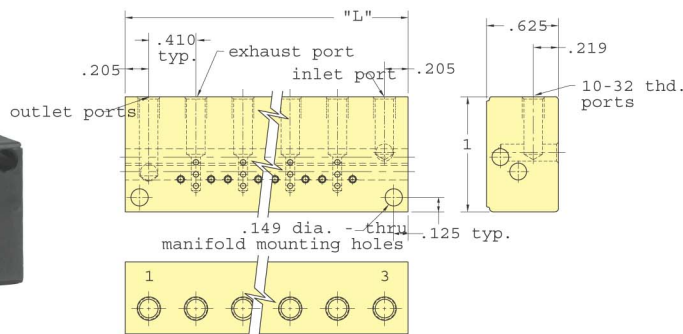
Wire Connector includes connector with 12" wire leads supplied with valve



EE3M-1A



EE3M-□□



Dash #	Station	"L"
-01	1	1.230
-02	2	1.640
-04	4	2.460
-06	6	3.280
-08	8	4.100
-10	10	4.920
-12	12	5.740