

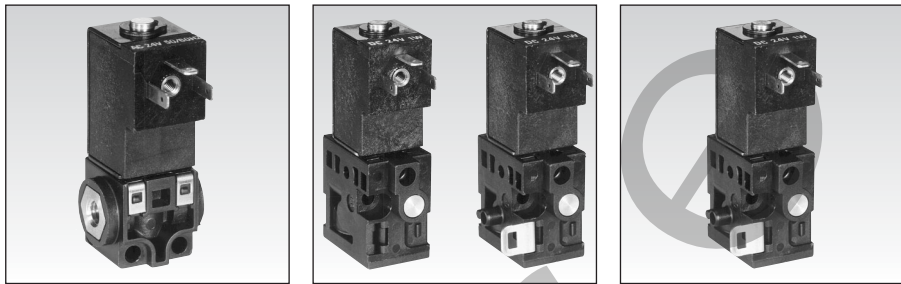
# Multi-Fluid Solenoid Valves

**3** **Crouzet**

Products and specifications subject to change without notice.

# Standard 2/2 miniature solenoid valves for fluids and inert gases

- Variable orientation coil
- Low power consumption : 1 W
- Quick to fit together, no tools needed



Mounting Individual Bank end valves (1 pair) Intermediate valve

## Part numbers

Orifice diameter	CV (KV)	Adjustment range psi (bar)	Power	NC	NC	NC
(0.8 mm)	.2 (0.3)	15>30 (1>8b)	1W	81 546 001	81 547 001	81 547 501

## Standard features

Voltage	24V ~
Electrical connections	2.8 x 0.5 blade terminals (W7D5) at 9.4 mm centres
Fluid connection	tapped holes M5
Manual override + pressure indicator	without

## General characteristics

Response time	5 to 15 ms
Operating temperature	- 5 °C +50 °C
Viscosity range	up to 30 cst
Vibration resistance	up to 5 g
Air flow rate (at 2 bars)	15 to 40 NI/mn
Maximum switching rate	30 Hz
Weight Individual mounting	32.5 g
Bank end/inner valves	35 g
Body material	Glass-reinforced polyamide 6.6
Mechanical life (operations)	1.5 x 10 <sup>7</sup>
UL and cUL approval	MH 15085

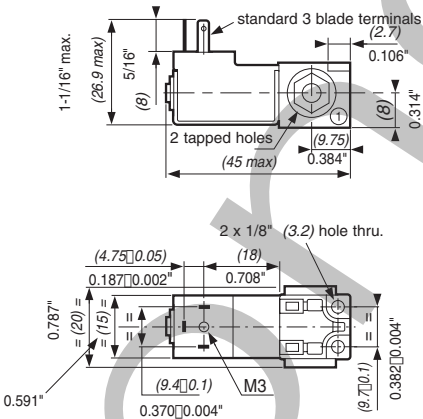
## Accessories for 2/2 miniature solenoid valves

Connector for solenoid valve (see page 5/11)	81 516 082
Visual indicators (see page 5/67)	24 V-50/60 Hz CC 81 513 052 48 V-50/60 Hz AC 81 513 055 110 V-50/60 Hz AC 81 513 058 220 V-50/60 Hz AC 81 513 059
LED seal (see page 5/67)	12-24 V ~ --- 81 513 064

## Dimensions

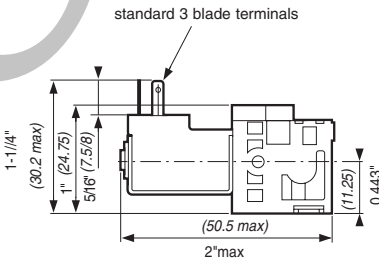
### Individual

81 546 0



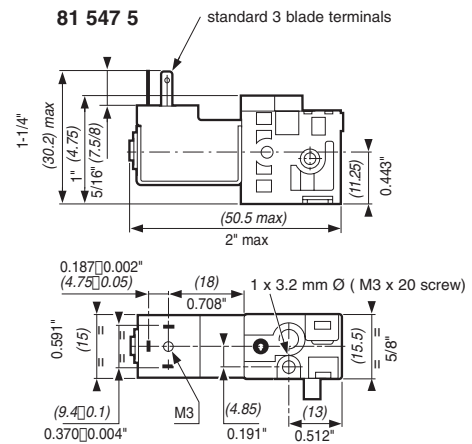
### Bank end valves (1 pair)

81 547 0



### Intermediate valve

81 547 5



Use (metric) dimensions for critical data

## Other information

## To order, specify :

For options see page 5/74

Standard products

1

Part number

2

Accessory

Standard products, non stocked

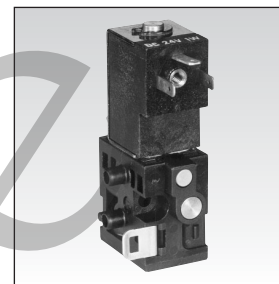
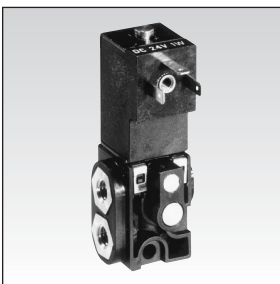
Example : Standard 2/2 miniature solenoid valve 81 546 001 - LED seal 81 513 064

Products and specifications subject to change without notice.

# Standard 3/2 miniature solenoid valves for fluids and inert gases

ORDER ONLINE

- All connections on one face
- Small size



Mounting

Individual

Bank end valves (1 pair)

Intermediate valve

## Part numbers

Orifice diameter	CV	(KV)	psi	Adjustment range	Power
(0.8 mm)	.2	(0.3)	15>120	(1>8 bar)	1W
(0.8 mm)	.2	(0.3)	15>120	(1>8 bar)	2W

NC  
81 548 010

NC  
81 549 010

NC  
81 549 510

## Standard features

Voltage	24V $\overline{\text{---}}$
Electrical connections	2.8 x 0.5 blade terminals (W7D5) at 9.4 mm centres
Fluid connection	tapped holes M5
Manual override	by impulse
Pressure indicator	without

## General characteristics

Response time	5 to 15 ms
Operating temperature	- 5 °C +50 °C
Viscosity range	up to 30 cst
Vibration resistance	up to 5 g
Air flow rate (at 2 bars)	15 to 40 NI/min
Maximum switching rate	30 Hz
Weight	32.5 g
	35 g
Body material	Glass-reinforced polyamide 6.6
Mechanical life (operations)	1.5 x 10 <sup>7</sup>
UL and cUL approval	MH 15085

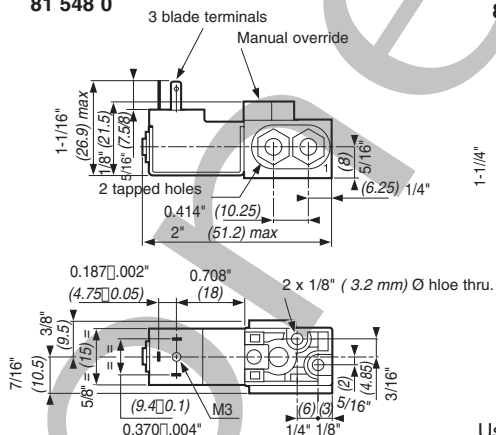
## Accessories for 3/2 miniature solenoid valves

Connector for solenoid valve (see page 5/11)	81 516 082
Visual indicators (see page 5/55)	24 V-50/60 Hz DC 48 V-50/60 Hz AC 110 V-50/60 Hz AC 220 V-50/60 Hz AC
LED seal (see page 5/55)	12-24 V $\sim \overline{\text{---}}$

## Dimensions

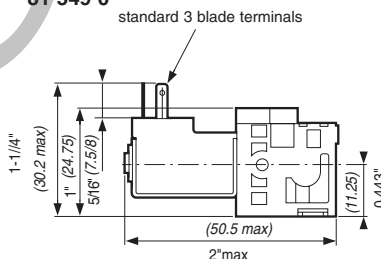
### Individual

81 548 0



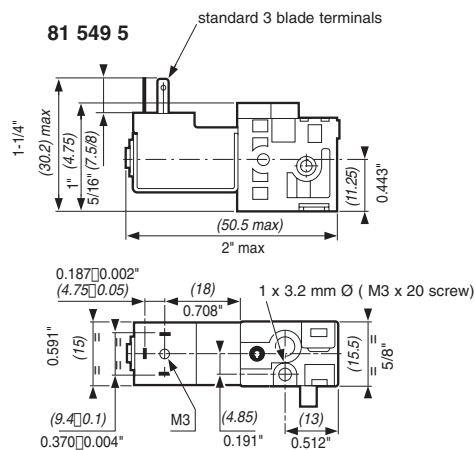
### Bank end valves (1 pair)

81 549 0



### Intermediate valve

81 549 5



Use (metric) dimensions for critical data

Other information	To order, specify :						
For options see page 5/74	<table border="1"> <tr> <td>Standard products</td> <td><b>1</b> Part number</td> <td><b>2</b> Accessory</td> </tr> <tr> <td>Standard products, non stocked</td> <td colspan="2">Example : Standard 3/2 miniature solenoid valve 81 548 010 - LED seal 81 513 064</td> </tr> </table>	Standard products	<b>1</b> Part number	<b>2</b> Accessory	Standard products, non stocked	Example : Standard 3/2 miniature solenoid valve 81 548 010 - LED seal 81 513 064	
Standard products	<b>1</b> Part number	<b>2</b> Accessory					
Standard products, non stocked	Example : Standard 3/2 miniature solenoid valve 81 548 010 - LED seal 81 513 064						

Products and specifications subject to change without notice.

## 2/2 miniature solenoid valves for fluids

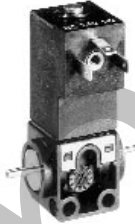
## 3/2 miniature solenoid valves for fluids

Mounting	Single	Bank end valves	Intermediate valve	Single	Bank end valves	Intermediate valve
Type	81 546 0	81 547 0	81 547 5	81 548 0	81 549 0	81 549 5
<b>Functions</b>						
NO	Please consult us for more information on the options available					
NC	●	●	●	●	●	●
<b>Bore diameter</b>						
Ø 0.8 mm (1 • 8 bar)	●	●	●	●	●	●
Ø 1.2 mm (- 0.9 • 3 bar)	○	○	○	○	○	○
Ø 1.5 mm (0 • 2 bar)	○	○	○	○	○	○
<b>Voltage</b>						
6 V $\equiv$	○	○	○	○	○	○
12 V $\equiv$	○	○	○	○	○	○
24 V $\equiv$	●	●	●	●	●	●
48 V $\equiv$	○	○	○	○	○	○
24 V $\sim$ 50/60 Hz	Please consult us					
48 V $\sim$ 50/60 Hz	Please consult us					
110 V $\sim$ 50/60 Hz	Please consult us					
220-230 V 50/60 Hz	Please consult us					
<b>Electrical connections</b>						
Blade terminals 2.8 x 0.5 mm	●	●	●	●	●	●
Latch-in connector	Only with a 24 V DC miniature solenoid valve					
Output via moulded connector lead (0.30 m)	Only with a 24 V DC miniature solenoid valve					
<b>Fluid connections</b>						
M5 tapped hole	●	●	●	●	●	●
Plain ends	○	○	○	○	○	○
Push-in connector Ø 4 mm	○	○	○	○	○	○
<b>Manual override</b>						
without	●	●	●	○	○	○
by impulse	○	○	○	●	●	●
maintained	○	○	○	○	○	○
<b>Pressure indicator</b>						
with (except for Ø 1.2 mm items used in vacuum applications)	○	○	○	○	○	○
without	●	●	●	●	●	●

- Characteristics of standard miniature solenoid valves (see 5/72 and 5/73)
- Options available for the entire range



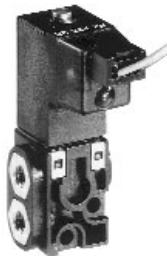
Output via moulded connector lead (0.3 m)



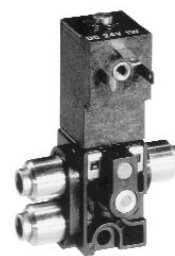
Barbs



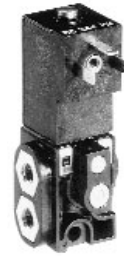
Manual override by impulse



Latch-in connector  
Accessory for connection option  
Part no : 79 452 899  
(wire length : 0.30 m)



Push-in connector for semi-rigid 4 mm Ø tubing (NFE 49100)



Maintained manual override, no indicator

### To order, specify :

Standard products, non stocked

**1**

Function

**2**

Orifice diameter

**3**

Voltage

**4**

Electrical connection

**5**

Fluid connection

**6**

Manual override

**7**

Pressure indicator

Example : 81 548 0 - NO Ø 0.8 - 48 VAC - Blade terminals 2.8 x 0.5 mm M5 - Manual override by impulse - With pressure indicator

Products and specifications subject to change without notice.