

Poweraire

Air Fittings & Couplings Catalog



Quick Coupling Series

Instant Fitting Series

Plastic Fitting Series

Brass Fitting Series

Quick Coupling Series



Table of Contents

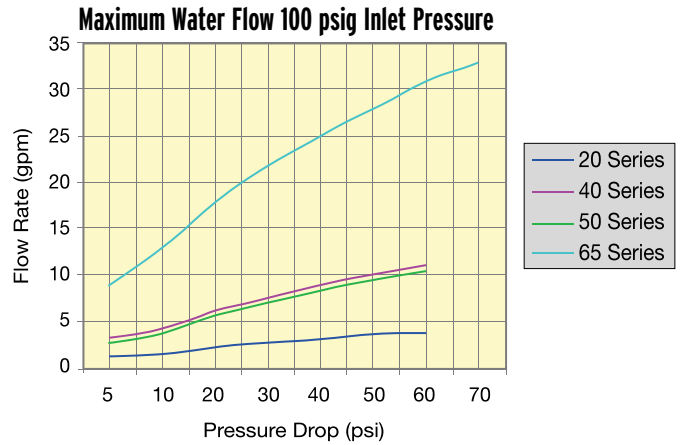
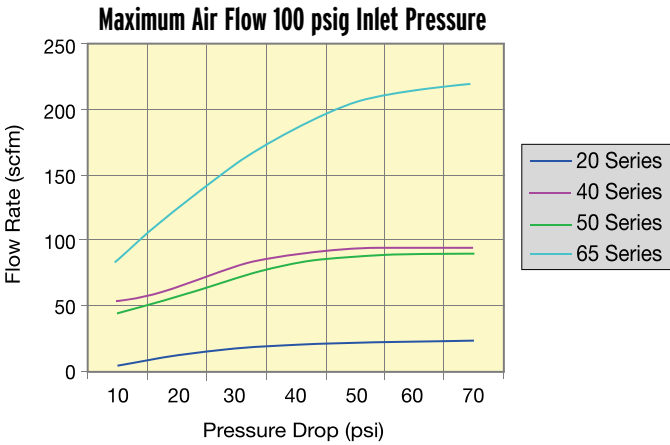


Table of Contents	Page
Technical Information	4-5
20AC Series 1/8" Flow - Acetal	6-7
20CB Series 1/8" Flow - Chrome/Brass	8-9
40AC Series 1/4" Flow - Acetal	10-11
40CB Series 1/4" Flow - Chrome/Brass	12-13
50AC Series 1/4" Flow - Acetal	14-15
50GP Series 1/4" Flow - Glass Polypro	16-17
65GP Series 1/2" Flow - Glass Polypro	18
Custom Solutions	19
Terms & Conditions	20-21



Flow Rate vs. Pressure Drop Data

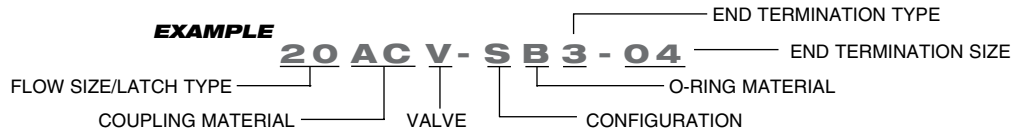
The following flow data is for reference only and projects a general idea of the capacity of each product series. There are several configurations of couplings and flow performance will vary, therefore Poweraire suggests that you test the exact coupling configuration for your application to assure correct performance.



Coupling Performance Ratings

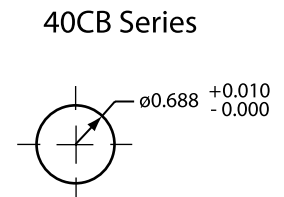
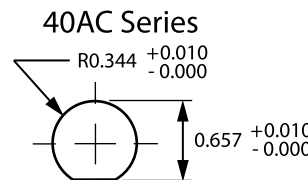
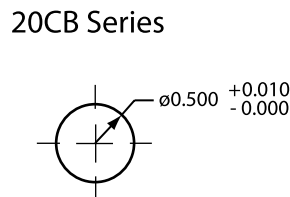
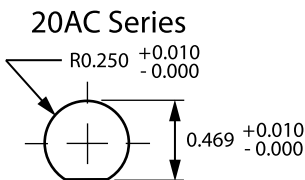
Series	Coupling Material	O-ring Material	Pressure Rating	Temp. Rating
20AC 1/8 Flow	Acetal	Buna-N	Vacuum to 120psi	-40F to 180F
20CB 1/8 Flow	Chrome/Brass	Buna-N	Vacuum to 250psi	-40F to 180F
40AC 1/4 Flow	Acetal	Buna-N	Vacuum to 120psi	-40F to 180F
40CB 1/4 Flow	Chrome Brass	Buna-N	Vacuum to 250psi	-40F to 180F
50GP 1/4 Flow	Glass Filled Polypropylene	EPDM	Vacuum to 120psi	32F to 180F
65GP 1/2 Flow	Glass Filled Polypropylene	EPDM	Vacuum to 120psi	32F to 180F

Part number Guide



Flow Size / Latch Type	Coupling Material	Valve	Configuration	O-ring Material	End Termination Type	End Termination Size
20 = 1/8 Flow	AC = Acetal	V = Valved	S = Socket	B = Buna-N	1 = Male Thread MNPT	02 = 1/8
40 = 1/4 Flow	CB = Chrome/Brass	(default is non-valved)	P = Plug	E = EPDM	2 = In Line Hose Barb	04 = 1/4
50 = 1/4 Flow (Plastic Latch)	GP = Glass Filled Polypropylene			V = Viton	3 = Panel Mount H.B.	06 = 3/8
65 = 1/2 Flow (Plastic Latch)					4 = Elbow H.B.	08 = 1/2
					5 = Single H.B.	12 = 3/4
					6 = End Stop	
					7 = Single H.B. Elbow	

Panel Mount Specifications



Max Panel Thickness Sockets = .50
 Max Panel Thickness Plugs = .30

FDA Approved Materials:

Most Poweraire couplings are produced with resins that comply with FDA standards.

Poweraire's chemical resistance chart will help guide you in selecting the correct coupling material for your application. Chemicals can affect the strength and appearance of the couplings therefore Poweraire suggests that you test their couplings in your application to be certain they meet your needs.

Chemical	Polymers		Metals	Elastomers		
	Acetal	Polypropylene	Chrome Plated Brass	Buna-N	EPDM	Viton
Acetic Acid	D	B	D	D	A	D
Acetone	A	A	A	D	A	D
Ammonia Anhydrous	D	A	D	B	A	D
Benzene	A	D	N/A	D	D	A
Carbon Dioxide	A	A	A	A	B	B
Chlorine Water	D	D	D	D	C	A
Ethanol	A	A	A	A	A	A
Ethylene Glycol	B	A	A	A	A	A
Gasoline, Unleaded	A	C	A	B	D	A
Hydrochloric Acid	C	B	D	D	C	A
Hydrofluoric Acid	D	C	D	D	D	B
Isopropyl Alcohol	A	A	B	B	B	B
Methyl Ethyl Ketone	C	B	A	D	A	D
Methanol	A	A	A	A	A	D
Oxygen	A	A	A	B	A	A
Ozone	C	B	N/A	D	A	A
Sodium Hypochlorite	D	B	D	C	B	A
Sulfuric Acid	N/A	C	C	D	D	A
Toluene	C	C	A	D	D	C
Trichloroethylene	D	C	B	D	D	A

Key

A = Excellent B = Good, little or no effect C = Fair, no long term effect D = Not recommended N/A = Not available

Sterilization & Disinfectant Compatibility

Material	Formalin	Isopropyl Alcohol	Ethyl Alcohol	Ethylene Oxide	Autoclave	E-Beam 5 Megarads	Gamma 5 Megarads	Dry Heat 250°F
Acetal	Y	Y	Y	Y	Y	N	N	N
Glass Filled Polypropylene	Y	Y	Y	Y	N	N	N	N
Chrome Plated Brass	N	Y	Y	Y	Y	Y	Y	Y
Buna-N	Y	Y	Y	N	N	Y	Y	Y
Viton	Y	Y	Y	N	N	N	N	Y
EPDM	Y	Y	Y	Y	Y	Y	Y	Y

Key

Y= Yes, Excellent N = No, not recommended

20AC Series

1/8" Flow

20AC Series couplings offer 1/8" flow capacity and are manufactured from a high performance acetal thermal plastic material. They are resistant to most mild chemicals and meet most FDA & NSF listing requirements. 20AC Series couplings are designed and manufactured to be trouble free for many years of service life. All 20 Series couplings interconnect with each other, regardless of material construction, and are compatible with many other latch type couplings.



Performance Ratings:

Operating Pressure: Vacuum to 120psi; 8.3 bar

Temperature: -40°F to 180°F

-40°C to 82°C

Flow Capacity: 1/8"

Materials:

Bodies & Terminations: Acetal copolymer

Latch: Stainless Steel

O-ring: FDA Buna-N (others available)

Springs: Stainless Steel

MALE THREAD SOCKET - NON-VALVED



Part No.	Thread Size	Box Qty	L	W	H
20AC-S1-02	1/8" MNPT	1000pcs	1.00"	.62"	.80"
20AC-S1-04	1/4" MNPT	800pcs	1.10"	.62"	.80"

MALE THREAD SOCKET - VALVED



Part No.	Thread Size	Box Qty	L	W	H
20ACV-SB1-02	1/8" MNPT	1000pcs	1.00"	.62"	.80"
20ACV-SB1-04	1/4" MNPT	800pcs	1.10"	.62"	.80"

IN-LINE SOCKET - NON-VALVED



Part No.	Barb Size	Box Qty	L	W	H
20AC-S2-02	1/8" H.B.	700pcs	1.65"	.62"	.80"
20AC-S2-03	3/16" H.B.	700pcs	1.80"	.62"	.80"
20AC-S2-04	1/4" H.B.	700pcs	1.80"	.62"	.80"

IN-LINE SOCKET - VALVED



Part No.	Barb Size	Box Qty	L	W	H
20ACV-SB2-02	1/8" H.B.	700pcs	1.65"	.62"	.80"
20ACV-SB2-03	3/16" H.B.	700pcs	1.80"	.62"	.80"
20ACV-SB2-04	1/4" H.B.	700pcs	1.80"	.62"	.80"

PANEL MOUNT SOCKET - NON-VALVED



Part No.	Barb Size	Box Qty	L	W	H
20AC-S3-02	1/8" H.B.	700pcs	1.65"	.62"	.80"
20AC-S3-03	1/4" H.B.	600pcs	1.80"	.62"	.80"
20AC-S3-04	1/4" H.B.	600pcs	1.80"	.62"	.80"

PANEL MOUNT SOCKET - VALVED



Part No.	Barb Size	Box Qty	L	W	H
20ACV-SB3-02	1/8" H.B.	700pcs	1.65"	.62"	.80"
20ACV-SB3-03	3/16" H.B.	600pcs	1.80"	.62"	.80"
20ACV-SB3-04	1/4" H.B.	600pcs	1.80"	.62"	.80"



All 20 Series couplings mate with each other.

Features:

- Audible "click" when connected
- Available with shut-off valves
- Connects with other latch type couplings
- Mates with all other 20 Series couplings
- Extremely durable
- Integral end terminations
- Small and compact
- One hand operation

MALE THREAD PLUG - NON-VALVED



Part No.	Thread Size	Box Qty	L	W	H
20AC-PB1-02	1/8" MNPT	2000pcs	1.03"	.49"	.49"
20AC-PB1-04	1/4" MNPT	1000pcs	1.13"	.56"	.56"

MALE THREAD PLUG - VALVED



Part No.	Thread Size	Box Qty	L	W	H
20ACV-PB1-02	1/8" MNPT	1000pcs	1.36"	.50"	.50"
20ACV-PB1-04	1/4" MNPT	1000pcs	1.39"	.56"	.56"

IN-LINE PLUG - NON-VALVED



Part No.	Barb Size	Box Qty	L	W	H
20AC-PB2-02	1/8" H.B.	3000pcs	.97"	.50"	.50"
20AC-PB2-03	3/16" H.B.	2500pcs	1.12"	.50"	.50"
20AC-PB2-04	1/4" H.B.	2500pcs	1.12"	.50"	.50"

IN-LINE PLUG - VALVED



Part No.	Barb Size	Box Qty	L	W	H
20ACV-PB2-02	1/8" H.B.	1000pcs	1.65"	.55"	.55"
20ACV-PB2-03	3/16" H.B.	1000pcs	1.80"	.55"	.55"
20ACV-PB2-04	1/4" H.B.	1000pcs	1.80"	.55"	.55"

ELBOW PLUG - NON-VALVED



Part No.	Barb Size	Box Qty	L	W	H
20AC-PB4-02	1/8" H.B.	2500pcs	.86"	.50"	1.10"
20AC-PB4-04	1/4" H.B.	1500pcs	.98"	.50"	1.15"

ELBOW PLUG - VALVED



Part No.	Barb Size	Box Qty	L	W	H
20ACV-PB4-02	1/8" H.B.	1000pcs	1.19"	.50"	.95"
20ACV-PB4-04	1/4" H.B.	1500pcs	1.19"	.50"	1.10"

PANEL MOUNT PLUG - NON-VALVED



Part No.	Barb Size	Box Qty	L	W	H
20AC-PB3-02	1/8" H.B.	800pcs	1.62"	.62"	.62"
20AC-PB3-03	3/16" H.B.	800pcs	1.76"	.62"	.62"
20AC-PB3-04	1/4" H.B.	800pcs	1.76"	.62"	.62"

PANEL MOUNT PLUG - VALVED



Part No.	Barb Size	Box Qty	L	W	H
20ACV-PB3-02	1/8" H.B.	800pcs	1.73"	.62"	.62"
20ACV-PB3-03	3/16" H.B.	800pcs	1.87"	.62"	.62"
20ACV-PB3-04	1/4" H.B.	800pcs	1.87"	.62"	.62"

20CB Series

1/8" Flow

20CB Series couplings offer 1/8" flow capacity and are manufactured from chrome plated brass. 20CB Series couplings are available with internal shut-off valves or straight through configurations. 20CB couplings are the most durable and offer the highest performance ratings. All 20 Series couplings interconnect with each other and are compatible with many other latch type couplings.



Performance Ratings:

Operating Pressure: Vacuum to 250psi; 17.3 bar

Temperature: -40°F to 180°F
-40C to 82C

Flow Capacity: 1/8"

Materials:

Bodies & Terminations: Chrome Plated Brass

Latch: Stainless Steel

Springs: Stainless Steel

Internal Valves: Acetal copolymer

O-rings: FDA Buna-N (others available)

MALE THREAD SOCKET - NON-VALVED



Part No.	Thread Size	Box Qty	L	W	H
20CB-S1-02	1/8" MNPT	100pcs	1.15"	.86"	.90"
20CB-S1-04	1/4" MNPT	100pcs	1.15"	.86"	.90"

MALE THREAD SOCKET - VALVED



Part No.	Thread Size	Box Qty	L	W	H
20CBV-SB1-02	1/8" MNPT	100pcs	1.15"	.86"	.90"
20CBV-SB1-04	1/4" MNPT	100pcs	1.156"	.86"	.90"

IN-LINE SOCKET - NON-VALVED



Part No.	Barb Size	Box Qty	L	W	H
20CB-S2-02	1/8" H.B.	100pcs	1.95"	.75"	.90"
20CB-S2-03	3/16" H.B.	100pcs	2.00"	.75"	.90"
20CB-S2-04	1/4" H.B.	100pcs	2.00"	.75"	.90"

IN-LINE SOCKET - VALVED



Part No.	Barb Size	Box Qty	L	W	H
20CBV-SB2-02	1/8" H.B.	100pcs	1.95"	.75"	.90"
20CBV-SB2-03	3/16" H.B.	100pcs	2.00"	.75"	.90"
20CBV-SB2-04	1/4" H.B.	100pcs	2.00"	.75"	.90"

PANEL MOUNT SOCKET - NON-VALVED



Part No.	Barb Size	Box Qty	L	W	H
20CB-S3-02	1/8" H.B.	100pcs	1.95"	.86"	.90"
20CB-S3-03	3/16" H.B.	100pcs	2.00"	.86"	.90"
20CB-S3-04	1/4" H.B.	100pcs	2.00"	.86"	.90"

PANEL MOUNT SOCKET - VALVED



Part No.	Barb Size	Box Qty	L	W	H
20CBV-SB3-02	1/8" H.B.	100pcs	1.95"	.86"	.90"
20CBV-SB3-03	3/16" H.B.	100pcs	2.00"	.86"	.90"
20CBV-SB3-04	1/4" H.B.	100pcs	2.00"	.86"	.90"



All 20 Series couplings mate with each other.

Features:

- Audible "click" when connected
- Available with shut-off valves
- Connects with other latch type couplings
- Mates with all other 20 Series couplings
- Extremely durable
- Integral end terminations
- Small and compact
- One hand operation

MALE THREAD PLUG - NON-VALVED



Part No.	Thread Size	Box Qty	L	W	H
20CB-PB1-02	1/8" MNPT	100pcs	1.25"	.625"	.625"
20CB-PB1-04	1/4" MNPT	100pcs	1.25"	.75"	.75"

MALE THREAD PLUG - VALVED



Part No.	Thread Size	Box Qty	L	W	H
20CBV-PB1-02	1/8" MNPT	100pcs	1.54"	0.625"	0.625"
20CBV-PB1-04	1/4" MNPT	100pcs	1.54"	.75"	.75"

IN-LINE PLUG - NON-VALVED



Part No.	Barb Size	Box Qty	L	W	H
20CB-PB2-02	1/8" H.B.	100pcs	1.30"	.625"	.625"
20CB-PB2-03	3/16" H.B.	100pcs	1.30"	.625"	.625"
20CB-PB2-04	1/4" H.B.	100pcs	1.30"	.625"	.625"

IN-LINE PLUG - VALVED



Part No.	Barb Size	Box Qty	L	W	H
20CBV-PB2-02	1/8" H.B.	100pcs	1.85"	.625"	.625"
20CBV-PB2-03	3/16" H.B.	100pcs	1.85"	.625"	.625"
20CBV-PB2-04	1/4" H.B.	100pcs	1.85"	.625"	.625"

ELBOW PLUG - NON-VALVED



Part No.	Barb Size	Box Qty	L	W	H
20CB-PB4-02	1/8" H.B.	100pcs	1.28"	.63"	1.28"
20CB-PB4-04	1/4" H.B.	100pcs	1.28"	.63"	1.28"

ELBOW PLUG - VALVED



Part No.	Barb Size	Box Qty	L	W	H
20CBV-PB4-02	1/8" H.B.	100pcs	1.28"	.63"	1.28"
20CBV-PB4-04	1/4" H.B.	100pcs	1.28"	.63"	1.28"

PANEL MOUNT PLUG - NON-VALVED



Part No.	Barb Size	Box Qty	L	W	H
20CB-PB3-02	1/8" H.B.	100pcs	1.91"	.75"	.75"
20CB-PB3-03	3/16" H.B.	100pcs	1.96"	.75"	.75"
20CB-PB3-04	1/4" H.B.	100pcs	1.96"	.75"	.75"

PANEL MOUNT PLUG - VALVED



Part No.	Barb Size	Box Qty	L	W	H
20CBV-PB3-02	1/8" H.B.	100pcs	1.91"	.75"	.75"
20CBV-PB3-03	3/16" H.B.	100pcs	1.96"	.75"	.75"
20CBV-PB3-04	1/4" H.B.	100pcs	1.96"	.75"	.75"

40AC Series

1/4" Flow

40AC Series couplings offer 1/4" flow capacity and are designed and manufactured to be trouble free for many years of service life. 40AC couplings are manufactured in a high performance acetal thermal plastic material. They are resistant to most chemicals and meet most FDA & NSF listing requirements. All 40 Series couplings interconnect with each other and are compatible with many other latch type couplings.



Performance Ratings:

Operating Pressure: Vacuum to 120psi; 8.3 bar

Temperature: -40°F to 180°F

-40°C to 82°C

Flow Capacity: 1/4"

Materials:

Bodies & Terminations: Acetal copolymer

Latch: Stainless Steel

Springs: Stainless Steel

O-ring: FDA Buna-N (others available)

MALE THREAD SOCKET - NON-VALVED



Part No.	Thread Size	Box Qty	L	W	H
40AC-S1-04	1/4" MNPT	500pcs	1.15"	.75"	.93"
40AC-S1-06	3/8" MNPT	500pcs	1.15"	.75"	.93"

MALE THREAD SOCKET - VALVED



Part No.	Thread Size	Box Qty	L	W	H
40ACV-SB1-04	1/4" MNPT	500pcs	1.15"	.75"	.93"
40ACV-SB1-06	3/8" MNPT	500pcs	1.15"	.75"	.93"

IN-LINE SOCKET - NON-VALVED



Part No.	Barb Size	Box Qty	L	W	H
40AC-S2-04	1/4" H.B.	400pcs	1.90"	.75"	.93"
40AC-S2-05	5/16" H.B.	400pcs	1.90"	.75"	.93"
40AC-S2-06	3/8" H.B.	400pcs	1.90"	.75"	.93"

IN-LINE SOCKET - VALVED



Part No.	Barb Size	Box Qty	L	W	H
40ACV-SB2-04	1/4" H.B.	400pcs	1.90"	.75"	.93"
40ACV-SB2-05	5/16" H.B.	400pcs	1.90"	.75"	.93"
40ACV-SB2-06	3/8" H.B.	400pcs	1.90"	.75"	.93"

PANEL MOUNT SOCKET - NON-VALVED



Part No.	Barb Size	Box Qty	L	W	H
40AC-S3-04	1/4" H.B.	300pcs	1.90"	.75"	.93"
40AC-S3-05	5/16" H.B.	300pcs	1.90"	.75"	.93"
40AC-S3-06	3/8" H.B.	300pcs	1.90"	.75"	.93"

PANEL MOUNT SOCKET - VALVED



Part No.	Barb Size	Box Qty	L	W	H
40ACV-SB3-04	1/4" H.B.	300pcs	1.90"	.75"	.93"
40ACV-SB3-05	5/16" H.B.	300pcs	1.90"	.75"	.93"
40ACV-SB3-06	3/8" H.B.	300pcs	1.90"	.75"	.93"



All 40 Series couplings mate with each other

Features:

- Audible "click" when connected
- Available with shut-off valves
- Connects with other latch type couplings
- Mates with all other 40 Series couplings
- Extremely durable
- Integral end terminations
- Small and compact
- One hand operation

MALE THREAD PLUG - NON-VALVED



Part No.	Thread Size	Box Qty	L	W	H
40AC-PB1-04	1/4" MNPT	800pcs	1.25"	.62"	.62"
40AC-PB1-06	3/8" MNPT	700pcs	1.25"	.74"	.74"

MALE THREAD PLUG - VALVED



Part No.	Thread Size	Box Qty	L	W	H
40ACV-PB1-04	1/4" MNPT	700pcs	1.65"	.62"	.62"
40ACV-PB1-06	3/8" MNPT	500pcs	1.65"	.75"	.75"

IN-LINE PLUG - NON-VALVED



Part No.	Barb Size	Box Qty	L	W	H
40AC-PB2-04	1/4" H.B.	1000pcs	1.25"	.62"	.62"
40AC-PB2-05	5/16" H.B.	1000pcs	1.25"	.62"	.62"
40AC-PB2-06	3/8" H.B.	1000pcs	1.25"	.62"	.62"

IN-LINE PLUG - VALVED



Part No.	Barb Size	Box Qty	L	W	H
40ACV-PB2-04	1/4" H.B.	500pcs	1.94"	.70"	.70"
40ACV-PB2-05	5/16" H.B.	500pcs	1.94"	.70"	.70"
40ACV-PB2-06	3/8" H.B.	500pcs	1.83"	.70"	.70"

ELBOW PLUG - NON-VALVED



Part No.	Barb Size	Box Qty	L	W	H
40AC-PB4-04	1/4" H.B.	800pcs	1.10"	.62"	1.28"
40AC-PB4-06	3/8" H.B.	800pcs	1.10"	.62"	1.28"

ELBOW PLUG - VALVED



Part No.	Barb Size	Box Qty	L	W	H
40ACV-PB4-04	1/4" H.B.	500pcs	1.34"	.63"	1.23"
40ACV-PB4-06	3/8" H.B.	500pcs	1.38"	.63"	1.23"

PANEL MOUNT PLUG - NON-VALVED



Part No.	Barb Size	Box Qty	L	W	H
40AC-PB3-04	1/4" H.B.	400pcs	1.88"	.74"	.74"
40AC-PB3-05	5/16" H.B.	400pcs	1.88"	.74"	.74"
40AC-PB3-06	3/8" H.B.	400pcs	1.88"	.74"	.74"

PANEL MOUNT PLUG - VALVED



Part No.	Barb Size	Box Qty	L	W	H
40ACV-PB3-04	1/4" H.B.	400pcs	2.00"	.74"	.74"
40ACV-PB3-05	5/16" H.B.	400pcs	2.00"	.74"	.74"
40ACV-PB3-06	3/8" H.B.	400pcs	2.00"	.74"	.74"

40CB Series

1/4" Flow

40CB Series couplings offer 1/4" flow capacity and are manufactured from chrome plated brass. 40CB Series couplings are available with internal shut-off valves or straight through configurations. 40CB couplings are the most durable and offer the highest performance ratings. All 40 Series couplings interconnect with each other and are compatible with many other latch type couplings.



Performance Ratings:

Operating Pressure: Vacuum to 250psi; 17.3 bar

Temperature: -40°F to 180°F
-40C to 82C

Flow Capacity: 1/4"

Materials:

Bodies & Terminations: Chrome Plated Brass

Latch: Stainless Steel

Springs: Stainless Steel

Internal Valves: Acetal copolymer

O-rings: FDA Buna-N (others available)

MALE THREAD SOCKET - NON-VALVED



Part No.	Thread Size	Box Qty	L	W	H
40CB-S1-04	1/4" MNPT	100pcs	1.15"	.86"	.90"
40CB-S1-06	3/8" MNPT	100pcs	1.15"	.86"	.90"

MALE THREAD SOCKET - VALVED



Part No.	Thread Size	Box Qty	L	W	H
40CBV-SB1-04	1/4" MNPT	100pcs	1.15"	.86"	.90"
40CBV-SB1-06	3/8" MNPT	100pcs	1.156"	.86"	.90"

IN-LINE SOCKET - NON-VALVED



Part No.	Barb Size	Box Qty	L	W	H
40CB-S2-04	1/4" H.B.	100pcs	1.95"	.75"	.90"
40CB-S2-05	5/16" H.B.	100pcs	2.00"	.75"	.90"
40CB-S2-06	3/8" H.B.	100pcs	2.00"	.75"	.90"

IN-LINE SOCKET - VALVED



Part No.	Barb Size	Box Qty	L	W	H
40CBV-SB2-04	1/4" H.B.	100pcs	1.95"	.75"	.90"
40CBV-SB2-05	5/16" H.B.	100pcs	2.00"	.75"	.90"
40CBV-SB2-06	3/8" H.B.	100pcs	2.00"	.75"	.90"

PANEL MOUNT SOCKET - NON-VALVED



Part No.	Barb Size	Box Qty	L	W	H
40CB-S3-04	1/4" H.B.	100pcs	1.95"	.86"	.90"
40CB-S3-05	5/16" H.B.	100pcs	2.00"	.86"	.90"
40CB-S3-06	3/8" H.B.	100pcs	2.00"	.86"	.90"

PANEL MOUNT SOCKET - VALVED



Part No.	Barb Size	Box Qty	L	W	H
40CBV-SB3-04	1/4" H.B.	100pcs	1.95"	.86"	.90"
40CBV-SB3-05	5/16" H.B.	100pcs	2.00"	.86"	.90"
40CBV-SB3-06	3/8" H.B.	100pcs	2.00"	.86"	.90"



All 40 Series couplings mate with each other.

Features:

- Audible "click" when connected
- Available with shut-off valves
- Connects with other latch type couplings
- Mates with all other 40 Series couplings
- Extremely durable
- Integral end terminations
- Small and compact
- One hand operation

MALE THREAD PLUG - NON-VALVED



Part No.	Thread Size	Box Qty	L	W	H
40CB-PB1-04	1/4" MNPT	100pcs	1.25"	.625"	.625"
40CB-PB1-06	3/8" MNPT	100pcs	1.25"	.75"	.75"

MALE THREAD PLUG - VALVED



Part No.	Thread Size	Box Qty	L	W	H
40CBV-PB1-04	1/4" MNPT	100pcs	1.54"	0.625"	0.625"
40CBV-PB1-06	3/8" MNPT	100pcs	1.54"	.75"	.75"

IN-LINE PLUG - NON-VALVED



Part No.	Barb Size	Box Qty	L	W	H
40CB-PB2-04	1/4" H.B.	100pcs	1.30"	.625"	.625"
40CB-PB2-05	5/16" H.B.	100pcs	1.30"	.625"	.625"
40CB-PB2-06	3/8" H.B.	100pcs	1.30"	.625"	.625"

IN-LINE PLUG - VALVED



Part No.	Barb Size	Box Qty	L	W	H
40CBV-PB2-04	1/4" H.B.	100pcs	1.85"	.625"	.625"
40CBV-PB2-05	5/16" H.B.	100pcs	1.85"	.625"	.625"
40CBV-PB2-06	3/8" H.B.	100pcs	1.85"	.625"	.625"

ELBOW PLUG - NON-VALVED



Part No.	Barb Size	Box Qty	L	W	H
40CB-PB4-04	1/4" H.B.	100pcs	1.28"	.63"	1.28"
40CB-PB4-06	3/8" H.B.	100pcs	1.28"	.63"	1.28"

ELBOW PLUG - VALVED



Part No.	Barb Size	Box Qty	L	W	H
40CBV-PB4-04	1/4" H.B.	100pcs	1.28"	.63"	1.28"
40CBV-PB4-06	3/8" H.B.	100pcs	1.28"	.63"	1.28"

PANEL MOUNT PLUG - NON-VALVED



Part No.	Barb Size	Box Qty	L	W	H
40CB-PB3-04	1/4" H.B.	100pcs	1.91"	.75"	.75"
40CB-PB3-05	5/16" H.B.	100pcs	1.96"	.75"	.75"
40CB-PB3-06	3/8" H.B.	100pcs	1.96"	.75"	.75"

PANEL MOUNT PLUG - VALVED



Part No.	Barb Size	Box Qty	L	W	H
40CBV-PB3-04	1/4" H.B.	100pcs	1.91"	.75"	.75"
40CBV-PB3-05	5/16" H.B.	100pcs	1.96"	.75"	.75"
40CBV-PB3-06	3/8" H.B.	100pcs	1.96"	.75"	.75"

50AC Series

1/4" Flow

50AC Series couplings offer 1/4" flow capacity and feature an easy to use plastic thumb latch. These couplings are manufactured in a high performance acetal thermal plastic material. They are available with or without internal shut-off valves and are available in many styles and termination sizes. 50AC couplings are resistant to most chemicals and meet most FDA & NSF listing requirements. 50AC and 50GP couplings interconnect with each other and are compatible with many other latch type couplings.



Performance Ratings:

Operating Pressure: Vacuum to 120psi; 8.3 bar

Temperature: -40°F to 180°F
-40°C to 82°C

Flow Capacity: 1/4"

Materials:

Bodies & Terminations: Acetal copolymer

Latch: Acetal copolymer

Springs: Stainless Steel

O-ring: FDA Buna-N (others available)

MALE THREAD SOCKET - NON-VALVED

Part No.	Thread Size	Box Qty	L	W	H
50AC-S1-04	1/4" MNPT	500pcs	1.40"	.75"	.94"

MALE THREAD SOCKET - VALVED

Part No.	Thread Size	Box Qty	L	W	H
50ACV-SB1-04	1/4" MNPT	500pcs	1.40"	.75"	.94"

IN-LINE SOCKET - NON-VALVED



Part No.	Barb Size	Box Qty	L	W	H
50AC-S2-04	1/4" H.B.	500pcs	1.35"	.75"	.94"
50AC-S2-06	3/8" H.B.	500pcs	1.35"	.75"	.94"

IN-LINE SOCKET LONG BODY - NON-VALVED



Part No.	Barb Size	Box Qty	L	W	H
50AC-S2-04LB	1/4" H.B.	350pcs	2.02"	.75"	.94"
50AC-S2-05LB	5/16" H.B.	350pcs	2.02"	.75"	.94"
50AC-S2-06LB	3/8" H.B.	350pcs	2.02"	.75"	.94"

IN-LINE SOCKET - VALVED



Part No.	Barb Size	Box Qty	L	W	H
50ACV-SB2-04	1/4" H.B.	350pcs	2.02"	.75"	.94"
50ACV-SB2-05	5/16" H.B.	350pcs	2.02"	.75"	.94"
50ACV-SB2-06	3/8" H.B.	350pcs	2.02"	.75"	.94"

Features:

- Audible "click" when connected
- Interconnects with other latch type couplings
- Available with internal shut-off valves
- Mates with all other 50GP Series couplings
- Plastic thumb latch is easy to use
- Extremely reliable stainless steel latch spring
- One hand operation
- Integral end terminations

MALE THREAD PLUG - NON-VALVED



Part No.	Thread Size	Box Qty	L	W	H
50AC-PB1-04	1/4" MNPT	800pcs	1.40"	.55"	.55"
50AC-PB1-06	3/8" MNPT	500pcs	1.60"	.75"	.75"

MALE THREAD PLUG - VALVED



Part No.	Thread Size	Box Qty	L	W	H
50ACV-PB1-04	1/4" MNPT	700pcs	1.75"	.62"	.62"
50ACV-PB1-06	3/8" MNPT	500pcs	1.75"	.75"	.75"

IN-LINE PLUG - NON-VALVED

Part No.	Barb Size	Box Qty	L	W	H
50AC-PB2-04	1/4" H.B.	1000pcs	1.35"	.62"	.62"
50AC-PB2-05	5/16" H.B.	500pcs	1.93"	.70"	.70"
50AC-PB2-06	3/8" H.B.	1000pcs	1.35"	.62"	.62"

IN-LINE PLUG - VALVED



Part No.	Barb Size	Box Qty	L	W	H
50ACV-PB2-04	1/4" H.B.	350pcs	2.05"	.70"	.70"
50ACV-PB2-05	5/16" H.B.	350pcs	2.05"	.70"	.70"
50ACV-PB2-06	3/8" H.B.	350pcs	1.90"	.70"	.70"

ELBOW PLUG - NON-VALVED



Part No.	Barb Size	Box Qty	L	W	H
50AC-PB4-04	1/4" H.B.	700pcs	1.20"	.62"	1.28"
50AC-PB4-06	3/8" H.B.	700pcs	1.20"	.62"	1.28"

ELBOW PLUG - VALVED

Part No.	Barb Size	Box Qty	L	W	H
50ACV-PB4-04	1/4" H.B.	500pcs	1.45"	.63"	1.23"
50ACV-PB4-06	3/8" H.B.	500pcs	1.48"	.63"	1.23"

50GP Series

1/4" Flow

50GP Series couplings offer 1/4" flow capacity, are manufactured from a high performance glass filled polypropylene, and are designed for applications that require extreme durability. With excellent chemical resistance properties, these couplings are also well suited for applications in acid and chemical transfer. 50GP Series couplings interconnect with all 50 Series products and are compatible with many other plastic latch type couplings.



Performance Ratings:

Operating Pressure: Vacuum to 120psi, 8.3 bar

Temperature: 32°F to 180°F
0°C to 71°C

Flow Capacity: 1/4"

Materials:

Bodies & Terminations: Glass Filled Polypropylene

Latch: Acetal copolymer

Latch Spring: Stainless Steel

Valve Spring: Stainless Steel

O-rings: EPDM (others available)

Internal Shut-off Valves: Glass Filled Polypropylene

MALE THREAD SOCKET - NON-VALVED



Part No.	Thread Size	Box Qty	L	W	H
50GP-S1-04	1/4" MNPT	500pcs	1.40"	.75"	.93"

IN-LINE SOCKET - NON-VALVED



Part No.	Barb Size	Box Qty	L	W	H
50GP-S5-06	3/8" H.B.	500pcs	1.35"	.75"	.93"

IN-LINE SOCKET - VALVED



Part No.	Barb Size	Box Qty	L	W	H
50GPV-SE5-06	3/8" H.B.	350pcs	2.00"	.825"	.93"

ELBOW SOCKET - NON-VALVED



Part No.	Barb Size	Box Qty	L	W	H
50GP-S7-06	3/8" H.B.	500pcs	1.23"	.75"	1.50"



Features:

- Audible "click" when connected
- Connects with other plastic latch type couplings
- Extremely durable
- Integral end terminations
- Small and compact
- One hand operation
- Large push button
- Resistant to acids and chemicals
- Latch guard eliminates accidental disconnects
- Stainless steel latch spring

MALE THREAD PLUG - NON-VALVED



Part No.	Thread Size	Box Qty	L	W	H
50GP-PE1-04	1/4" MNPT	800 pcs	1.35"	.62"	.62"

IN-LINE PLUG - NON-VALVED



Part No.	Barb Size	Box Qty	L	W	H
50GP-PE5-06	3/8" H.B.	1000 pcs	1.35"	.62"	.62"

ELBOW PLUG - NON-VALVED



Part No.	Barb Size	Box Qty	L	W	H
50GP-PE7-06	3/8" H.B.	700 pcs	1.25"	.62"	1.26"

END STOP PLUG



Part No.		Box Qty	L	H
50GP-PE6	N/A	1000 pcs	1.20"	.69"

65GP Series Couplings

1/2" Flow

65GP Series couplings offer 1/2" flow capacity and are manufactured from a high performance glass filled polypropylene. 65GP couplings have a full flow, non-valved, smooth internal bore that allows for maximum flow with minimal turbulence. 65GP couplings are extremely durable and are well suited for applications that require chemical resistance. 65GP Series couplings interconnect with and are compatible with many other plastic latch type couplings.



Performance Ratings:

Operating Pressure: Vacuum to 120 psi; 8.3 bar

Temperature: 32°F to 180°F
0°C to 70 °C

Flow Capacity: 1/2"

Materials:

Bodies & Terminations: Glass Filled Polypropylene

Latch: Acetal copolymer

Latch Spring: Stainless Steel

O-ring: EPDM (others available)

IN-LINE SOCKET - NON-VALVED



Part No.	Barb Size	Box Qty	L	W	H
65GP-S2-12	3/4" H.B.	100	2.93"	1.37"	1.45"

MALE THREAD PLUG - NON-VALVED



Part No.	Thread Size	Box Qty	L	W	H
65GP-PE1-08	1/2" MNPT	200	1.95"	1.00"	1.00"

IN-LINE PLUG - NON-VALVED



Part No.	Thread Size	Box Qty	L	W	H
65GP-PE2-08	1/2" H.B.	200	1.95"	1.00"	1.00"

Features:

- Audible "click" when connected
- Connects with other plastic latch type couplings
- Extremely durable
- Integral end terminations
- Small and compact
- One hand operation
- Large push button
- Resistant to acids and chemicals
- Latch guard eliminates accidental disconnects
- Stainless steel latch spring



65GP Series Couplings feature a full flow, smooth internal bore that allows for maximum flow.



Poweraire offers a complete product range of standard Quick Couplings. Many customers have applications that require a unique solution or wish to reduce their potential leak points and are looking to incorporate several fittings into one or have special mounting or space requirements. Poweraire is committed to its customers and helps them by offering custom designed and manufactured products. Whether it be a simple O-ring or color change or a completely new and unique design Po is committed to offering its customers the best possible solution at the lowest possible cost.

Please contact one of Poweraire's engineers today to discuss your unique requirements!



Terms & Conditions

POWERIARE SALES TERMS AND CONDITIONS

ALL PURCHASE ORDERS ARE SUBJECT TO THE FOLLOWING TERMS AND CONDITIONS

1. Minimum Order: \$50.00 U.S. net.
2. Terms: Standard terms for open accounts are Net 30 Days from date of invoice. All other accounts are COD, Credit Card Payment, or Cash in advance. Buyer shall pay all wire, electronic transfer and similar fees. All amounts not paid within 30 days from date of invoice shall accrue interest at the rate of fifteen percent per annum (15%) from date of invoice. In addition, accounts that become past due are subject to be put on credit hold. Buyer agrees to pay all court costs and attorneys fees incurred by Seller in collection of any amounts due from Buyer or due to Buyer's breach of any of the terms or conditions herein.
3. Account Establishment: New accounts are required to submit a credit application with three credit references to Seller's customer service department for processing and approval.
4. Freight: All shipping is FOB Anaheim CA. Seller's standard method of shipping is via UPS (ground). All other shipping methods must be clearly indicated on all orders prior to order confirmation. Buyer shall pay all costs of shipping. Title to products shall pass to Buyer upon delivery of same to a common or contract carrier, FOB.
5. Lead Time: Standard lead time for orders with a net value of less than \$2500 is 3 business days ARO. Lead time for orders of greater value is subject to availability. Orders are not considered received and will not be processed until they have been confirmed by Seller's customer service department. When an order is placed which requires same day shipment the order must be faxed to Seller prior to 1 pm, Pacific Standard Time, orders received after 1 pm will be processed as same day shipments for the following day.
6. Drop Ship Orders: Orders may be drop shipped as indicated on buyers purchase order.
7. Order Contractual Review: Seller considers all incoming orders to be binding offers of purchase from Buyer. Incoming orders are not considered accepted by Seller until they have been confirmed in writing by Seller. Acceptance of an order by Seller is expressly limited to the terms herein. Any additional terms on Buyer's form are objected to and rejected, and shall be deemed a material alteration hereof. Seller requires the following to be correctly listed on each order prior to confirmation and acceptance by Seller: (a) Account status must be in good standing; (b) Part numbers must be correctly stated; (c) Item pricing must be correctly stated per line item; (d) Quantities must be per standard pack; (e) Terms must be correctly listed; (f) Order must indicate proper lead time; (g) If shipping method is other than UPS (ground) it must be noted on the purchase order; (h) Shipping address must be noted on the purchase order; (i) Total order value must be a minimum of \$50.00 net; (j) If any purchase order from Buyer contains additional terms, Buyer must acknowledge and agree in writing that those additional terms are superseded by the terms and conditions herein, that such additional terms are not part of the agreement between Buyer and Seller, and that the terms and conditions herein evidence the entire agreement between Buyer and Seller.
8. Change Order Process: After an order is confirmed by Seller in writing it is considered accepted and in process. Orders are not subject to cancellation or change without consent in writing between Buyer and Seller, except as noted in paragraph 9 below. A request to change an order must be made in writing by Buyer within 2 days of order confirmation and is subject to Seller's approval. A request to change an order after 2 days of confirmation is subject to carry a re-stock and or other service charges.
9. Pricing: Pricing is subject to adjustment to reflect our prices in effect at the time of shipment. Seller strives to maintain its costing; however there are instances where price adjustments need to be made. Buyer shall pay for all local, state and federal taxes imposed on the products sold by Seller to Buyer.
10. Standard Order Quantities: Seller's products have standard order quantities per line item. Please see list price sheets to determine standard order quantities.
11. Returns: Overstock merchandise must be in new, re-saleable condition. Refurbishing of returned items (removing prices tags or residue, replacing packaging, etc.) will be billed for time and materials or at Seller's discretion, the product will be returned to the customer. These returns are subject to a re-stocking fee and must have an authorized RMA number issued by the Seller's customer service department. Receipt of an RMA number does not guarantee a credit for returned merchandise.
12. Warranty Returns: Warranty returns will be inspected and if the product is determined to be defective, a credit or replacement, per the terms of Seller's limited warranty, will be issued in a timely basis. All non-warranty returns must be approved by Seller in its sole discretion, and are subject to a re-stocking fee. To process a return, please contact the Seller's customer service department for an authorized RMA number. Receipt of an RMA number does not guarantee a credit for returned merchandise.

13. Limited Warranty: Seller warrants that its products will be free from defects in material and workmanship for a period of one (1) year from the date of sale. If a product does not meet the requirements of this limited warranty, Seller's sole liability and obligation is limited to the repair or replacement of the product (or, at Seller's option, a refund of the purchase price of the product). Buyer acknowledges and agrees that the foregoing is Buyer's sole and exclusive remedy for any defective product, and that Seller shall not be liable for any special, collateral or consequential damages, including, without limitation, costs of labor, removal, reinstallation or transportation, damage to person or property, or other charges. In order to make a claim under this limited warranty, (i) Buyer must give Seller written notice within thirty (30) days after the occurrence of an event giving rise to a breach of this limited warranty, and (ii) Seller must be afforded the opportunity to inspect the product in question prior to any repair, replacement, alteration or disposal thereof. If this notice is not timely given and such inspection not afforded or possible, then Seller shall have no liability for such product under this limited warranty. This limited warranty shall be void and of no force or effect, and Seller will have no liability, in the event: (a) the product is damaged during or after installation from freezing, fire, water, lightening, acts of God or any other circumstances beyond the control of Seller; (b) the product is damaged by tear, break, stress concentration loading to the interior or exterior of the product or other causes due to external forces; (c) the product is damaged by exposure to harmful chemicals or ultraviolet light; or (d) the product is damaged due to abnormal operating conditions, accident, abuse, misuse or unauthorized alteration or repair. In order for this limited warranty to apply, (I) the product must have been installed in accordance with Seller's installation instructions; (II) the product must be continuously used in accordance with Seller's operating and maintenance instructions in effect at the time of sale of the product (including, without limitation, the testing under pressure of products after installation); (III) the product must not have been used in a manner contrary to the use for which the product was intended or contrary to any instructions for or warnings on the product; (IV) the product must not have been altered or modified; and (V) all parts (including piping and tubing) used in connection with the product must be within Seller's published specifications and dimensional tolerance ranges. If any of the foregoing are not complied with, then this limited warranty shall be void and of no force or effect. Notwithstanding anything herein to the contrary, this limited warranty shall not apply to, and there are no warranties whatsoever on, any products furnished by Seller to Buyer which are built or acquired, wholly or partially, to Buyer's designs or specifications.

14. Shipping Discrepancies: Discrepancies in shipping include quantity, part type, incorrect shipping method, packaging, and damage. It is Buyer's responsibility to confirm its receipt of order by reviewing Seller's packing slip and physically reviewing the product. When a discrepancy is identified it is Buyer's responsibility to contact the Seller's customer service department. All discrepancies must be reported to Seller within 5 business days of receipt of shipment. Seller confirms quantity discrepancies by weight of each item and total weight of the shipment. Seller will address all discrepancies in an expedited manner. It is agreed that a shortage of ten percent (10%) of quantity ordered will be accepted by Buyer as filling the order.

15. International Shipments: All International orders must comply with the same policies as domestic orders with the exception of minimum order amount and partial shipments. The minimum order amount for International orders is \$250.00. All International orders must ship complete, and no partial shipments will be allowed.

16. Back Orders and Partial Shipments: It is Seller's desire to ship all orders complete. Because of occasional manufacturing shortages, some orders may ship as partial orders. It is Seller's policy to ship all orders on time and if an item is short it will be back ordered and shipped separately at a later date. If Buyer requires its order to ship complete, Buyer must indicate this on Buyer's original order. In the event of a back order it is Seller's policy to contact Buyer and inform it of a partial shipment.

17. Orders for Special Items: All special orders must comply with the same policies as standard orders and in addition are non-cancelable, non-returnable, and carry minimum orders and lead times per individual line item. Special items are quoted and all orders must comply with all terms and conditions of the special item quote.

18. Sample Orders: Seller is pleased to offer and supply customers with samples for testing and evaluation. All sample order requests must be approved by the appropriate Seller sales manager. All sample orders are shipped freight pre-paid by Seller unless expedited shipping is requested. The customer is responsible for the cost of all over night or expedited shipments.

19. Technical Support: Please contact Seller's customer service department with all questions either technical or general between the hours of 8:30am and 4:30pm Pacific time. The Seller CSR will direct the customer to the approached internal support person based on the nature of the inquiry.

20. No Liability: Seller shall have no liability whatsoever for any loss or for any delay or failure in delivering any product to be sold to Buyer if such loss, delay or failure is due to any cause beyond Seller's reasonable control, including, without limitation, if due to act of God, fire, strike, insurrection, riot, war, demand of a government unit, freight embargo, delay in transportation, power or labor or material shortage, delay or default of a supplier, or otherwise.

21. Governing Law: These sales terms and conditions shall be governed by and construed in accordance with the laws of the State of California, and shall be enforceable in any state or federal court of competent jurisdiction in the State of California. Buyer specifically consents to the jurisdiction of the state and federal courts of the State of California with respect to any dispute arising between Buyer and Seller under these sales terms and conditions or in connection with any products purchased by Buyer from Seller. Buyer further waives any objection relating to the basis for personal or in rem jurisdiction or to venue which Buyer may now or hereafter have in any such legal action or proceedings.

THERE ARE NO WARRANTIES WHICH EXTEND BEYOND THE FACE HEREOF. EXCEPT AS EXPRESSLY SET FORTH HEREIN, SELLER MAKES NO REPRESENTATION, WARRANTY OR INDEMNITY OF ANY KIND OR NATURE WHATSOEVER WITH RESPECT TO ITS PRODUCTS, EITHER EXPRESS OR IMPLIED AND INCLUDING, WITHOUT LIMITATION, ANY IMPLIED WARRANTY OF MERCHANTABILITY OR FITNESS FOR A PARTICULAR PURPOSE, ALL OF WHICH REPRESENTATIONS, WARRANTIES AND INDEMNITIES ARE EXPRESSLY DISCLAIMED. SELLER EXPRESSLY DISCLAIMS, AND BUYER ACKNOWLEDGES AND AGREES THAT SELLER SHALL NOT HAVE ANY LIABILITY FOR, ANY SPECIAL, COLLATERAL OR CONSEQUENTIAL DAMAGES (INCLUDING, WITHOUT LIMITATION, ANY DAMAGES TO PERSON OR PROPERTY) ARISING OUT OF THE SALE OR USE OF ANY PRODUCT.

Instant Fitting Series



Instant Fittings Series

TUBE x THREAD FITTINGS

MALE STRAIGHT



Part No.	Thread (UNF & NPT)	O.D. TUBE
S1/8-U10	10-32UNF	1/8"
S1/8-N01	NPT1/8	1/8"
S1/8-N02	NPT1/4	1/8"
S5/32-U10	10-32UNF	5/32"
S5/32N01	NPT1/8	5/32"
S5/32-N02	NPT1/4	5/32"
S3/16-U10	10-32UNF	3/16"
S3/16-N01	NPT1/8	3/16"
S3/16-N02	NPT1/4	3/16"
S3/16-N03	NPT3/8	3/16"
S1/4-UNF	10-32UNF	1/4"
S1/4-N01	NPT1/8	1/4"
S1/4-N02	NPT1/4	1/4"
S1/4-N03	NPT3/8	1/4"
S5/16-N01	NPT1/8	5/16"
S5/16-N02	NPT1/4	5/16"
S5/16-N03	NPT3/8	5/16"
S3/82-N01	NPT1/8	3/8"
S3/82-N02	NPT1/4	3/8"
S3/82-N03	NPT3/8	3/8"
S3/82-N04	NPT1/2	3/8"
S1/2-N02	NPT1/4	1/2"
S1/2-N03	NPT3/8	1/2"
S1/2-N04	NPT1/2	1/2"

ROUND MALE STRAIGHT



Part No.	Thread (UNF & NPT)	O.D. TUBE
SA1/8-U10	10-32UNF	1/8"
SA1/8-N01	NPT1/8	1/8"
SA1/8-N02	NPT1/4	1/8"
SA5/32-U10	10-32UNF	5/32"
SA5/32N01	NPT1/8	5/32"
SA5/32-N02	NPT1/4	5/32"
SA3/16-U10	10-32UNF	3/16"
SA3/16-N01	NPT1/8	3/16"
SA3/16-N02	NPT1/4	3/16"
SA3/16-N03	NPT3/8	3/16"
SA1/4-UNF	10-32UNF	1/4"
SA1/4-N01	NPT1/8	1/4"
SA1/4-N02	NPT1/4	1/4"
SA1/4-N03	NPT3/8	1/4"
SA5/16-N01	NPT1/8	5/16"
SA5/16-N02	NPT1/4	5/16"
SA5/16-N03	NPT3/8	5/16"
SA3/82-N01	NPT1/8	3/8"
SA3/82-N02	NPT1/4	3/8"
SA3/82-N03	NPT3/8	3/8"
SA3/82-N04	NPT1/2	3/8"
SA1/2-N02	NPT1/4	1/2"
SA1/2-N03	NPT3/8	1/2"
SA1/2-N04	NPT1/2	1/2"

TUBE x THREAD FITTINGS

FEMALE STRAIGHT



Part No.	Thread (UNF & NPT)	O.D. TUBE
FS1/8-N01	NPT1/8	1/8"
FS1/8-N02	NPT1/4	1/8"
FS5/32-N01	NPT1/8	5/32"
FS5/32-N02	NPT1/4	5/32"
FS3/16-N01	NPT1/8	3/16"
FS3/16-N02	NPT1/4	3/16"
FS1/4-N01	NPT1/8	1/4"
FS1/4-N02	NPT1/4	1/4"
FS1/4-N03	NPT3/8	1/4"
FS5/16-N01	NPT1/8	5/16"
FS5/16-N02	NPT1/4	5/16"
FS5/16-N03	NPT3/8	5/16"
FS5/16-N04	NPT1/2	5/16"
FS3/8-N01	NPT1/8	3/8"
FS3/8-N02	NPT1/4	3/8"
FS3/8-N03	NPT3/8	3/8"
FS3/8-N04	NPT1/2	3/8"
FS1/2-N02	NPT1/4	1/2"
FS1/2-N03	NPT3/8	1/2"
FS1/2-N04	NPT1/2	1/2"

MALE ELBOW



Part No.	Thread (UNF & NPT)	O.D. TUBE
E1/8-U10	10-32UNF	1/8"
E1/8-N01	NPT1/8	1/8"
E1/8-N02	NPT1/4	1/8"
E5/32-U10	10-32UNF	5/32"
E5/32-N01	NPT1/8	5/32"
E5/32-N02	NPT1/4	5/32"
E3/16-U10	10-32UNF	3/16"
E3/16-N01	NPT1/8	3/16"
E3/16-N02	NPT1/4	3/16"
E3/16-N03	NPT3/8	3/16"
E1/4-U10	10-32UNF	1/4"
E1/4-N01	NPT1/8	1/4"
E1/4-N02	NPT1/4	1/4"
E1/4-N03	NPT3/8	1/4"
E5/16-N01	NPT1/8	5/16"
E5/16-N02	NPT1/4	5/16"
E5/16-N03	NPT3/8	5/16"
E3/8-N01	NPT1/8	3/8"
E3/8-N02	NPT1/4	3/8"
E3/8-N03	NPT3/8	3/8"
E3/8-N04	NPT1/2	3/8"
E1/2-N02	NPT1/4	1/2"
E1/2-N03	NPT3/8	1/2"
E1/2-N04	NPT1/2	1/2"

TUBE x THREAD FITTINGS

LONG MALE ELBOW



Part No.	Thread (UNF & NPT)	O.D. TUBE
LE1/8-U10	10-32UNF	1/8"
LE1/8-N01	NPT1/8	1/8"
LE1/8-N02	NPT1/4	1/8"
LE5/32-U10	10-32UNF	5/32"
LE5/32N01	NPT1/8	5/32"
LE5/32-N02	NPT1/4	5/32"
LE3/16-U10	10-32UNF	3/16"
LE3/16-N01	NPT1/8	3/16"
LE3/16-N02	NPT1/4	3/16"
LE3/16-N03	NPT3/8	3/16"
LE1/4-U10	10-32UNF	1/4"
LE1/4-N01	NPT1/8	1/4"
LE1/4-N02	NPT1/4	1/4"
LE1/4-N03	NPT3/8	1/4"
LE5/16-N01	NPT1/8	5/16"
LE5/16-N02	NPT1/4	5/16"
LE5/16-N03	NPT3/8	5/16"
LE3/8-N01	NPT1/8	3/8"
LE3/8-N02	NPT1/4	3/8"
LE3/8-N03	NPT3/8	3/8"
LE3/8-N04	NPT1/2	3/8"
LE1/2-N02	NPT1/4	1/2"
LE1/2-N03	NPT3/8	1/2"
LE1/2-N04	NPT1/2	1/2"

MALE 45 ELBOW



Part No.	Thread (UNF & NPT)	O.D. TUBE
45E1/8-U10	10-32UNF	1/8"
45E1/8-N01	NPT1/8	1/8"
45E1/8-N02	NPT1/4	1/8"
45E5/32-U10	10-32UNF	5/32"
45E5/32N01	NPT1/8	5/32"
45E5/32-N02	NPT1/4	5/32"
45E1/4-U10	10-32UNF	1/4"
45E1/4-N01	NPT1/8	1/4"
45E1/4-N02	NPT1/4	1/4"
45E1/4-N03	NPT3/8	1/4"
45E5/16-N01	NPT1/8	5/16"
45E5/16-N02	NPT1/4	5/16"
45E5/16-N03	NPT3/8	5/16"
45E3/8-N01	NPT1/8	3/8"
45E3/8-N02	NPT1/4	3/8"
45E3/8-N03	NPT3/8	3/8"
45E3/8-N04	NPT1/2	3/8"
45E1/2-N02	NPT1/4	1/2"
45E1/2-N03	NPT3/8	1/2"
45E1/2-N04	NPT1/2	1/2"

TUBE x THREAD FITTINGS

FEMALE ELBOW



Part No.	Thread (UNF & NPT)	O.D. TUBE
FE1/8-N01	NPT1/8	1/8"
FE1/8-N02	NPT1/4	1/8"
FE5/32N01	NPT1/8	5/32"
FE5/32-N02	NPT1/4	5/32"
FE3/16-N01	NPT1/8	3/16"
FE3/16-N02	NPT1/4	3/16"
FE1/4-N01	NPT1/8	3/16"
FE1/4-N02	NPT1/4	1/4"
FE1/4-N03	NPT3/8	1/4"
FE5/16-N01	NPT1/8	5/16"
FE5/16-N02	NPT1/4	5/16"
FE5/16-N03	NPT3/8	5/16"
FE5/16-N04	NPT1/2	5/16"
FE3/8-N01	NPT1/8	3/8"
FE3/8-N02	NPT1/4	3/8"
FE3/8-N03	NPT3/8	3/8"
FE3/8-N04	NPT1/2	3/8"
FE1/2-N02	NPT1/4	1/2"
FE1/2-N03	NPT3/8	1/2"
FE1/2-N04	NPT1/2	1/2"

MALE BRANCH TEE



Part No.	Thread (UNF & NPT)	O.D. TUBE
BT1/8-U10	10-32UNF	1/8"
BT1/8-N01	NPT1/8	1/8"
BT1/8-N02	NPT1/4	1/8"
BT5/32-U10	10-32UNF	5/32"
BT5/32N01	NPT1/8	5/32"
BT5/32-N02	NPT1/4	5/32"
BT3/16-U10	10-32UNF	3/16"
BT3/16-N01	NPT1/8	3/16"
BT3/16-N02	NPT1/4	3/16"
BT3/16-N03	NPT3/8	3/16"
BT1/4-U10	10-32UNF	1/4"
BT1/4-N01	NPT1/8	1/4"
BT1/4-N02	NPT1/4	1/4"
BT1/4-N03	NPT3/8	1/4"
BT5/16-N01	NPT1/8	5/16"
BT5/16-N02	NPT1/4	5/16"
BT5/16-N03	NPT3/8	5/16"
BT3/8-N01	NPT1/8	3/8"
BT3/8-N02	NPT1/4	3/8"
BT3/8-N03	NPT3/8	3/8"
BT3/8-N04	NPT1/2	3/8"
BT1/2-N02	NPT1/4	1/2"
BT1/2-N03	NPT3/8	1/2"
BT1/2-N04	NPT1/2	1/2"

TUBE x THREAD FITTINGS

MALE RUN TEE



Part No.	Thread (UNF & NPT)	O.D. TUBE
PUUT1/8-U10	10-32UNF	1/8"
PUUT1/8-N01	NPT1/8	1/8"
PUUT1/8-N02	NPT1/4	1/8"
PUUT5/32-U10	10-32UNF	5/32"
PUUT5/32N01	NPT1/8	5/32"
PUUT5/32-N02	NPT1/4	5/32"
PUUT3/16-U10	10-32UNF	3/16"
PUUT3/16-N01	NPT1/8	3/16"
PUUT3/16-N02	NPT1/4	3/16"
PUUT3/16-N03	NPT3/8	3/16"
PUUT1/4-U10	10-32UNF	1/4"
PUUT1/4-N01	NPT1/8	1/4"
PUUT1/4-N02	NPT1/4	1/4"
PUUT1/4-N03	NPT3/8	1/4"
PUUT5/16-N01	NPT1/8	5/16"
PUUT5/16-N02	NPT1/4	5/16"
PUUT5/16-N03	NPT3/8	5/16"
PUUT3/8-N01	NPT1/8	3/8"
PUUT3/8-N02	NPT1/4	3/8"
PUUT3/8-N03	NPT3/8	3/8"
PUUT3/8-N04	NPT1/2	3/8"
PUUT1/2-N02	NPT1/4	1/2"
PUUT1/2-N03	NPT3/8	1/2"
PUUT1/2-N04	NPT1/2	1/2"

MALE Y



Part No.	Thread (UNF & NPT)	O.D. TUBE
PUY1/8-U10	10-32UNF	1/8"
PUY1/8-N01	NPT1/8	1/8"
PUY1/8-N02	NPT1/4	1/8"
PUY5/32-U10	10-32UNF	5/32"
PUY5/32N01	NPT1/8	5/32"
PUY5/32-N02	NPT1/4	5/32"
PUY3/16-U10	10-32UNF	3/16"
PUY3/16-N01	NPT1/8	3/16"
PUY3/16-N02	NPT1/4	3/16"
PUY3/16-N03	NPT3/8	3/16"
PUY1/4-U10	10-32UNF	1/4"
PUY1/4-N01	NPT1/8	1/4"
PUY1/4-N02	NPT1/4	1/4"
PUY1/4-N03	NPT3/8	1/4"
PUY5/16-N01	NPT1/8	5/16"
PUY5/16-N02	NPT1/4	5/16"
PUY5/16-N03	NPT3/8	5/16"
PUY3/8-N01	NPT1/8	3/8"
PUY3/8-N02	NPT1/4	3/8"
PUY3/8-N03	NPT3/8	3/8"
PUY3/8-N04	NPT1/2	3/8"
PUY1/2-N02	NPT1/4	1/2"
PUY1/2-N03	NPT3/8	1/2"
PUY1/2-N04	NPT1/2	1/2"

TUBE x THREAD FITTINGS

BULKHEAD FEMALE STRAIGHT



Part No.	Thread (UNF & NPT)	O.D. TUBE
BHPU1/8-N01	NPT1/8	1/8"
BHPU1/8-N02	NPT1/4	1/8"
BHPU5/32-N01	NPT1/8	5/32"
BHPU5/32-N02	NPT1/4	5/32"
BHPU3/16-N01	NPT1/8	3/16"
BHPU3/16-N02	NPT1/4	3/16"
BHPU1/4-N01	NPT1/8	1/4"
BHPU1/4-N02	NPT1/4	1/4"
BHPU1/4-N03	NPT3/8	1/4"
BHPU5/16-N01	NPT1/8	5/16"
BHPU5/16-N02	NPT1/4	5/16"
BHPU5/16-N03	NPT3/8	5/16"
BHPU5/16-N04	NPT1/2	5/16"
BHPU3/8-N01	NPT1/8	3/8"
BHPU3/8-N02	NPT1/4	3/8"
BHPU3/8-N03	NPT3/8	3/8"
BHPU3/8-N04	NPT1/2	3/8"
BHPU1/2-N02	NPT1/4	1/2"
BHPU1/2-N03	NPT3/8	1/2"
BHPU1/2-N04	NPT1/2	1/2"

FEMALE BANJO



Part No.	Thread (UNF & NPT)	O.D. TUBE
FBJ1/8-N01	NPT1/8	1/8"
FBJ1/8-N02	NPT1/4	1/8"
FBJ5/32-N01	NPT1/8	5/32"
FBJ5/32-N02	NPT1/4	5/32"
FBJ3/16-N01	NPT1/8	3/16"
FBJ3/16-N02	NPT1/4	3/16"
FBJ1/4-N01	NPT1/8	1/4"
FBJ1/4-N02	NPT1/4	1/4"
FBJ1/4-N03	NPT3/8	1/4"
FBJ5/16-N01	NPT1/8	5/16"
FBJ5/16-N02	NPT1/4	5/16"
FBJ5/16-N03	NPT3/8	5/16"
FBJ5/16-N04	NPT1/2	5/16"
FBJ3/8-N01	NPT1/8	3/8"
FBJ3/8-N02	NPT1/4	3/8"
FBJ3/8-N03	NPT3/8	3/8"
FBJ3/8-N04	NPT1/2	3/8"
FBJ1/2-N02	NPT1/4	1/2"
FBJ1/2-N03	NPT3/8	1/2"
FBJ1/2-N04	NPT1/2	1/2"

TUBE x THREAD FITTINGS

MALE BANJO



Part No.	Thread (UNF & NPT)	O.D. TUBE
BJ1/8-U10	10-32UNF	1/8"
BJ1/8-N01	NPT1/8	1/8"
BJ1/8-N02	NPT1/4	1/8"
BJ5/32-U10	10-32UNF	5/32"
BJ5/32N01	NPT1/8	5/32"
BJ5/32-N02	NPT1/4	5/32"
BJ3/16-U10	10-32UNF	3/16"
BJ3/16-N01	NPT1/8	3/16"
BJ3/16-N02	NPT1/4	3/16"
BJ3/16-N03	NPT3/8	3/16"
BJ1/4-U10	10-32UNF	1/4"
BJ1/4-N01	NPT1/8	1/4"
BJ1/4-N02	NPT1/4	1/4"
BJ1/4-N03	NPT3/8	1/4"
BJ5/16-N01	NPT1/8	5/16"
BJ5/16-N02	NPT1/4	5/16"
BJ5/16-N03	NPT3/8	5/16"
BJ3/8-N01	NPT1/8	3/8"
BJ3/8-N02	NPT1/4	3/8"
BJ3/8-N03	NPT3/8	3/8"
BJ3/8-N04	NPT1/2	3/8"
BJ1/2-N02	NPT1/4	1/2"
BJ1/2-N03	NPT3/8	1/2"
BJ1/2-N04	NPT1/2	1/2"

SPEED CONTROLLERS

ELBOW



Part No.	Thread (UNF & NPT)	O.D. TUBE
ESC1/8-U10	10-32UNF	1/8"
ESC1/8-N01	NPT1/8	1/8"
ESC1/8-N02	NPT1/4	1/8"
ESC5/32-U10	10-32UNF	5/32"
ESC5/32N01	NPT1/8	5/32"
ESC5/32-N02	NPT1/4	5/32"
ESC3/16-U10	10-32UNF	3/16"
ESC3/16-N01	NPT1/8	3/16"
ESC3/16-N02	NPT1/4	3/16"
ESC3/16-N03	NPT3/8	3/16"
ESC1/4-U10	10-32UNF	1/4"
ESC1/4-N01	NPT1/8	1/4"
ESC1/4-N02	NPT1/4	1/4"
ESC1/4-N03	NPT3/8	1/4"
ESC5/16-N01	NPT1/8	5/16"
ESC5/16-N02	NPT1/4	5/16"
ESC5/16-N03	NPT3/8	5/16"
ESC3/8-N01	NPT1/8	3/8"
ESC3/8-N02	NPT1/4	3/8"
ESC3/8-N03	NPT3/8	3/8"
ESC3/8-N04	NPT1/2	3/8"
ESC1/2-N02	NPT1/4	1/2"
ESC1/2-N03	NPT3/8	1/2"
ESC1/2-N04	NPT1/2	1/2"

SPEED CONTROLLERS

IN-LINE FLOW CONTROL



Part No.	O.D. TUBE
USC 1/8	1/8"
USC 5/32	5/32"
USC 3/16	3/16"
USC 1/4	1/4"
USC 5/16	5/16"
USC 3/8	3/8"
USC 1/2	1/2"

UNION FITTINGS

UNION ELBOW



Part No.	O.D. TUBE
UE 1/8	1/8"
UE 5/32	5/32"
UE 3/16	3/16"
UE 1/4	1/4"
UE 5/16	5/16"
UE 3/8	3/8"
UE 1/2	1/2"

UNION STRAIGHT



Part No.	O.D. TUBE
US 1/8	1/8"
US 5/32	5/32"
US 3/16	3/16"
US 1/4	1/4"
US 5/16	5/16"
US 3/8	3/8"
US 1/2	1/2"

UNION TEE



Part No.	O.D. TUBE
UT 1/8	1/8"
UT 5/32	5/32"
UT 3/16	3/16"
UT 1/4	1/4"
UT 5/16	5/16"
UT 3/8	3/8"
UT 1/2	1/2"

BULKHEAD UNION



Part No.	O.D. TUBE
BHU 1/8	1/8"
BHU 5/32	5/32"
BHU 3/16	3/16"
BHU 1/4	1/4"
BHU 5/16	5/16"
BHU 3/8	3/8"
BHU 1/2	1/2"

UNION FITTINGS

UNION Y



Part No.	O.D. TUBE
UY 1/8	1/8"
UY 5/32	5/32"
UY 3/16	3/16"
UY 1/4	1/4"
UY 5/16	5/16"
UY 3/8	3/8"
UY 1/2	1/2"

UNION CROSS



Part No.	O.D. TUBE
UC 1/8	1/8"
UC 5/32	5/32"
UC 3/16	3/16"
UC 1/4	1/4"
UC 5/16	5/16"
UC 3/8	3/8"
UC 1/2	1/2"

TRIPLE BRANCH UNION



Part No.	O.D. TUBE
TBU 5/32	5/32"
TBU 1/4	1/4"
TBU 5/16	5/16"

PLUG



Part No.	O.D. TUBE
PLG 5/32	5/32"
PLG 3/16	3/16"
PLG 1/4	1/4"
PLG 5/16	5/16"
PLG 3/8	3/8"
PLG 1/2	1/2"

PLUG-IN ELBOW



Part No.	O.D. TUBE
PIE 1/8	1/8"
PIE 5/32	5/32"
PIE 3/16	3/16"
PIE 1/4	1/4"
PIE 5/16	5/16"
PIE 3/8	3/8"
PIE 1/2	1/2"

UNION FITTINGS

PLUG-IN Y



Part No.	O.D. TUBE
PIY 1/8	1/8"
PIY 5/32	5/32"
PIY 3/16	3/16"
PIY 1/4	1/4"
PIY 5/16	5/16"
PIY 3/8	3/8"
PIY 1/2	1/2"

REDUCERS

PLUG-IN REDUCER



Part No.	O.D. TUBE	O.D. TUBE
PIR1/4-5/32	1/4"	5/32"
PIR5/16-5/32	5/16"	5/32"
PIR5/16-1/4	5/16"	1/4"
PIR3/8-1/4	3/8"	1/4"
PIR3/8-5/16	3/8"	5/16"
PIR1/2-1/4	1/2"	1/4"

PLUG-IN REDUCER ELBOW



Part No.	O.D. TUBE	O.D. TUBE
PIRE1/4-5/32	1/4"	5/32"
PIRE3/16-5/32	3/16"	5/32"
PIRE5/16-1/4	5/16"	1/4"
PIRE3/8-1/4	3/8"	1/4"
PIRE3/8-5/16	3/8"	5/16"
PIRE1/2-3/8	1/2"	3/8"

PLUG-IN REDUCER TRIPLE BRANCH



Part No.	O.D. TUBE	O.D. TUBE
PIM5/32-1/8	5/32"	1/8"
PIM1/4-5/32	1/4"	5/32"
PIM5/16-5/32	5/16"	5/32"
PIM5/16-3/16	5/16"	3/16"
PIM5/16-1/4	5/16"	1/4"

PLUG-IN REDUCER Y



Part No.	O.D. TUBE	O.D. TUBE
PIRY1/4-5/32	1/4"	5/32"
PIRY3/16-5/32	3/16"	5/32"
PIRY5/16-1/4	5/16"	1/4"
PIRY3/8-1/4	3/8"	1/4"
PIRY3/8-5/16	3/8"	5/16"
PIRY1/2-3/8	1/2"	3/8"

REDUCERS

UNION REDUCER



Part No.	O.D. TUBE	O.D. TUBE
UR1/4-5/32	1/4"	5/32"
UR3/16-5/32	3/16"	5/32"
UR5/16-1/4	5/16"	1/4"
UR3/8-1/4	3/8"	1/4"
UR3/8-5/16	3/8"	5/16"
UR1/2-3/8	1/2"	3/8"

UNION TEE REDUCER



Part No.	O.D. TUBE	O.D. TUBE
UTR1/4-5/32	1/4"	5/32"
UTR3/16-5/32	3/16"	5/32"
UTR5/16-1/4	5/16"	1/4"
UTR3/8-1/4	3/8"	1/4"
UTR3/8-5/16	3/8"	5/16"
UTR1/2-3/8	1/2"	3/8"

UNION Y REDUCER



Part No.	O.D. TUBE	O.D. TUBE
UYR1/4-5/32	1/4"	5/32"
UYR3/16-5/32	3/16"	5/32"
UYR5/16-1/4	5/16"	1/4"
UYR3/8-1/4	3/8"	1/4"
UYR3/8-5/16	3/8"	5/16"
UYR1/2-3/8	1/2"	3/8"

UNION TRIPLE BRANCH REDUCER



Part No.	O.D. TUBE	O.D. TUBE
UBRM1/4-5/32	1/4"	5/32"
UBRM5/16-5/32	5/16"	5/32"
UBRM5/16-1/4	5/16"	1/4"
UBRM3/8-1/4	3/8"	1/4"
UBRM3/8-5/16	3/8"	5/16"

MALE TRIPLE BRANCH REDUCER



Part No.	O.D. TUBE	O.D. TUBE
PUBM1/4-5/32	1/4"	5/32"
PUBM5/16-5/32	5/16"	5/32"
PUBM5/16-1/4	5/16"	1/4"
PUBM3/8-5/16	3/8"	5/16"

HAND VALVES

TUBE - TUBE



Part No.	O.D. TUBE	O.D. TUBE
UHV1/4-1/4	1/4"	1/4"
UHV5/16-1/4	5/16"	1/4"
UHV5/16-5/16	5/16"	5/16"

THREAD - THREAD



Part No.	THREAD (NPT)	THREAD (NPT)
PPHVN01-N01	NPT1/8	NPT1/8
PPHVN02-N01	NPT1/4	NPT1/8
PPHVN02-N02	NPT1/4	NPT1/4
PPHVN03-N02	NPT3/8	NPT1/4
PPHVN03-N03	NPT3/8	NPT3/8
PPHVN04-N03	NPT1/2	NPT3/8
PPHVN04-N04	NPT1/2	NPT1/2

TUBE - THREAD



Part No.	O.D. TUBE	THREAD (NPT)
PUHV1/4-N01	1/4"	NPT1/8
PUHV1/4-N02	1/4"	NPT1/4
PUHV1/4-N03	1/4"	NPT3/8
PUHV5/16-N01	5/16"	NPT1/8
PUHV5/16-N02	5/16"	NPT1/4
PUHV5/16-N03	5/16"	NPT3/8

THREAD - TUBE



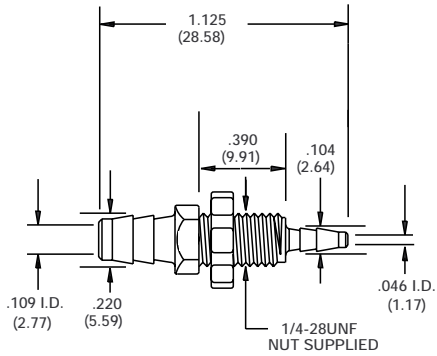
Part No.	O.D. TUBE	THREAD (NPT)
UPHV1/4-N01	1/4"	NPT1/8
UPHV1/4-N02	1/4"	NPT1/4
UPHV1/4-N03	1/4"	NPT3/8
UPHV5/16-N01	5/16"	NPT1/8
UPHV5/16-N02	5/16"	NPT1/4
UPHV5/16-N03	5/16"	NPT3/8

Plastic Fitting Series



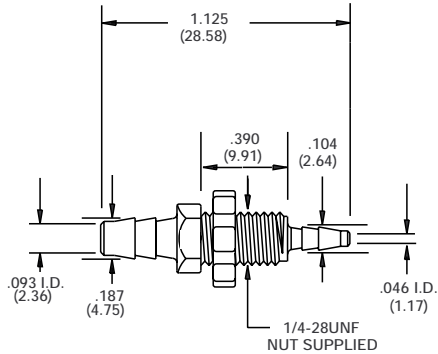
Standard Bulkhead Connectors

F-3100-68 Reducing Bulkhead Connector



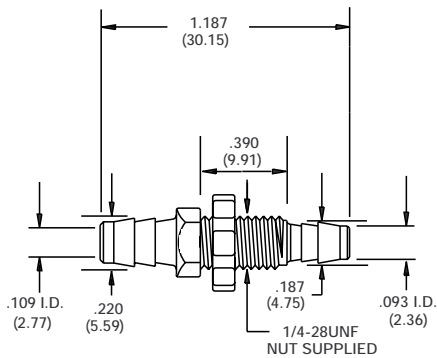
Barbed ports for .170 I.D. to 1/16" I.D. flexible tubing.
External 1/4-28 UNF threads for panel mounting.
Material: Nylon - Black or White
Polypropylene - Gray

F-3100-70 Reducing Bulkhead Connector



Barbed ports for 1/8" I.D. to 1/16" I.D. flexible tubing.
External 1/4-28 UNF threads for panel mounting.
Material: Nylon - Black or White
Polypropylene - Gray

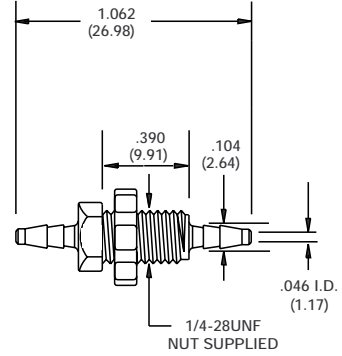
F-3100-71 Reducing Bulkhead Connector



Barbed ports for .170 I.D. to 1/8" I.D. flexible tubing.
External 1/4-28 UNF threads for panel mounting.
Material: Nylon - Black or White
Polypropylene - Gray

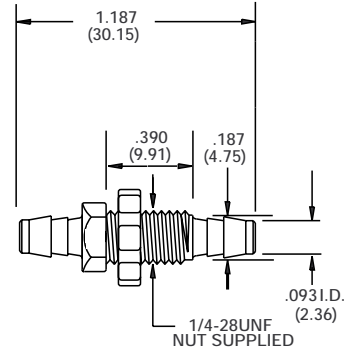
() = Metric Dimensions

F-3100-80 Straight Bulkhead Connector



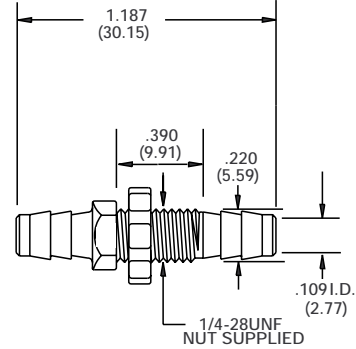
Barbed ports for 1/8" I.D. flexible tubing.
External 1/4-28 UNF threads for panel mounting.
Material: Nylon - Black or White
Polypropylene - Gray

F-3100-85 Straight Bulkhead Connector



Barbed ports for 1/8" I.D. flexible tubing.
External 1/4-28 UNF threads for panel mounting.
Material: Nylon - Black or White
Polypropylene - Gray

F-3100-86 Straight Bulkhead Connector



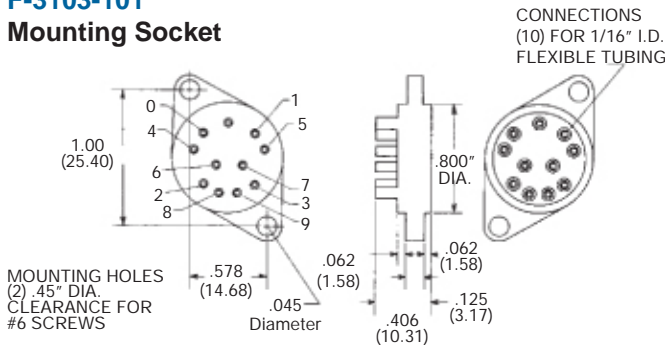
Barbed ports for .170 I.D. flexible tubing.
External 1/4-28 UNF threads for panel mounting.
Material: Nylon - Black or White
Polypropylene - Gray

() = Metric Dimensions

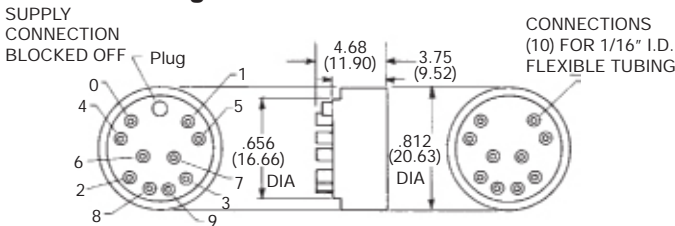
Standard Bulkhead Connectors

F-3103-Series 10 Tube Connector

F-3103-101 Mounting Socket



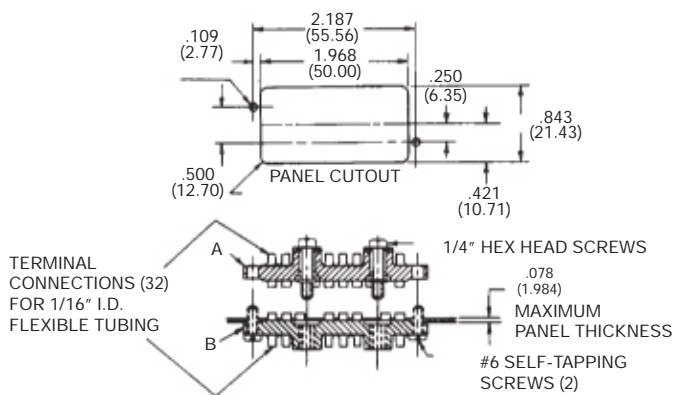
F-3103-102 Connector Plug



The F-3103-101 Mounting Socket and F-3103-102 Connector Plug form a ten tube connector when used together. The Mounting Socket may be panel or bulkhead mounted. Order each separately by model number.

Material: Polysulfone.

F-3103-320 32 Tube Connector



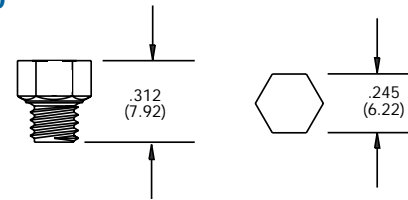
The Connector joins up to 32 tubes of 1/16" I.D. tubing. The connector is joined together by two hex head screws and can be panel mounted.

Material: Polysulfone.

() = Metric Dimensions

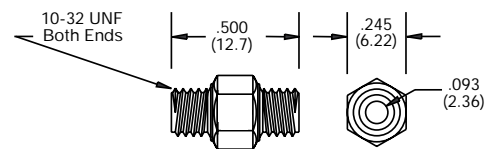
Plastic Fittings

F-3120-20 Plug



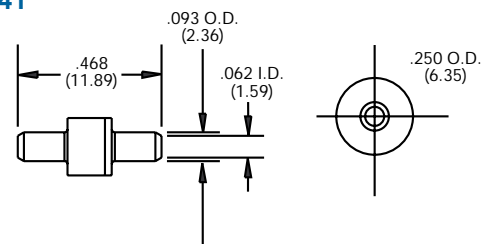
10-32 UNF hex head plug
Material: Nylon - Black, Red, White or Blue
Polypropylene - Gray

F-3120-25 Nipple



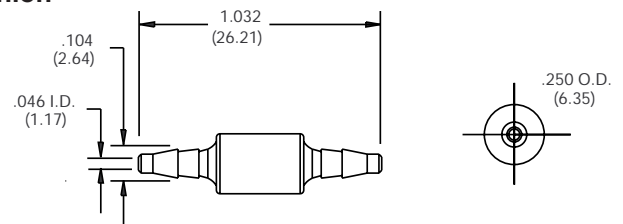
10-32 UNF hex head plug
Material: Nylon - Black, Red, White or Blue
Polypropylene - Gray

F-3120-41 Union



Straight ports for 1/16" I.D. flexible tubing.
Material: Polysulfone

F-3120-42 Union

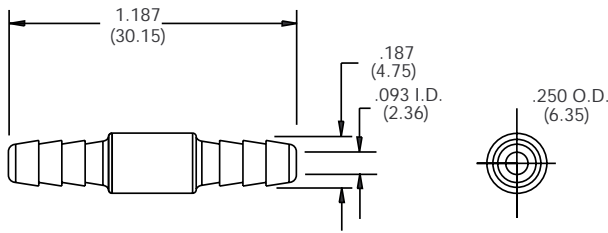


Barbed ports for 1/16" I.D. flexible tubing.
Material: Polysulfone

() = Metric Dimensions

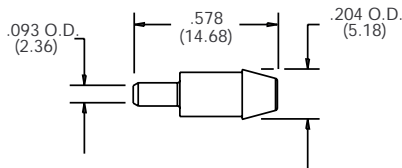
Plastic Fittings

F-3120-43 Union



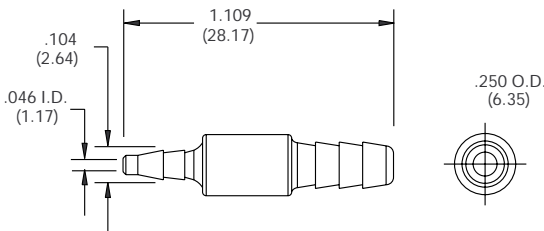
Barbed ports for $\frac{1}{8}$ " I.D. flexible tubing.
Material: Polysulfone.

F-3120-68 Barbed Reducer



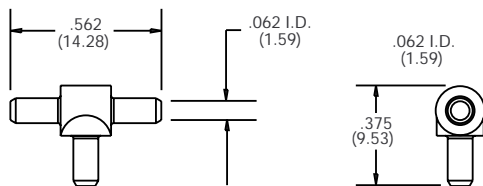
A straight port for $\frac{1}{8}$ " I.D. flexible tubing at one end and a barbed connection for $\frac{1}{8}$ " or .170 I.D. flexible tubing at the other end.
Material: Polysulfone.

F-3120-70 Barbed Reducer



Barbed ports for $\frac{1}{16}$ " I.D. x $\frac{1}{8}$ " I.D. flexible tubing.
Material: Polysulfone.

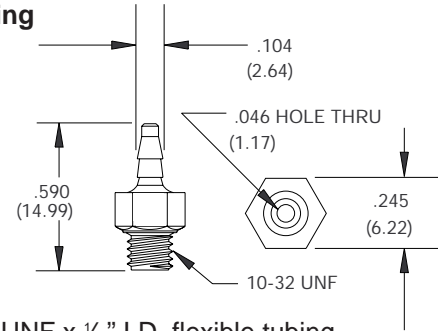
F-3145-65 Tee



Straight ports for $\frac{1}{16}$ " I.D. flexible tubing.
Material: Celcon

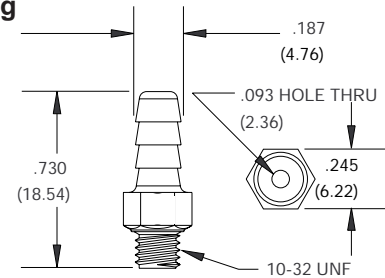
() = Metric Dimensions

F-3120-80 Barbed Fitting



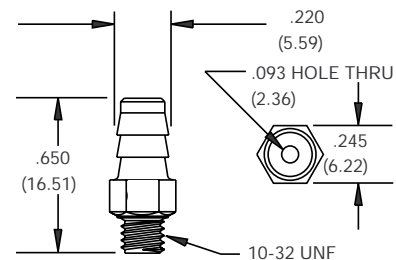
For 10-32 UNF x $\frac{1}{8}$ " I.D. flexible tubing
Material: Nylon - Black, Red, White or Blue
Polypropylene - Gray

F-3120-85 Barbed Fitting



For 10-32 UNF x $\frac{1}{8}$ " I.D. flexible tubing
Material: Nylon - Black, Red, White or Blue
Polypropylene - Gray

F-3120-86 Barbed Fitting



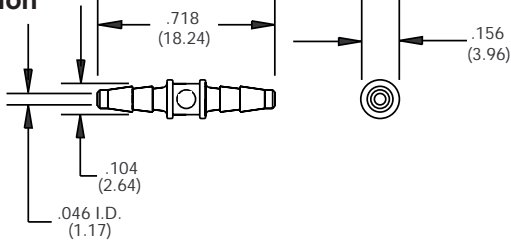
For 10-32 UNF x .170 I.D. flexible tubing
Material: Nylon - Black, Red, White or Blue
Polypropylene - Gray

() = Metric Dimensions

Plastic Fittings

F-3140-80

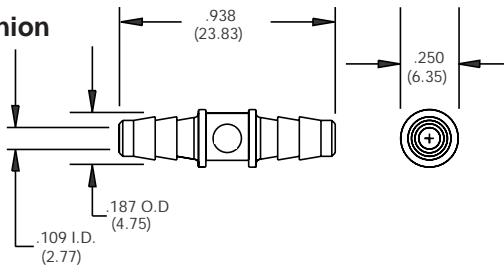
Barbed Union



Barbed ports for 1/8" I.D. flexible tubing.
Material: Nylon - Black or White
Polypropylene - Gray

F-3140-85

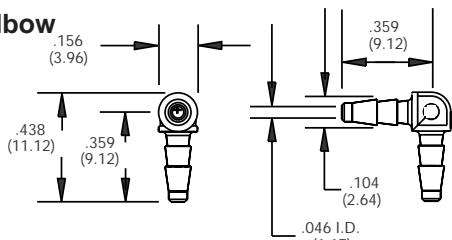
Barbed Union



Barbed ports for 1/8" I.D. flexible tubing.
Material: Nylon - Black or White
Polypropylene - Gray

F-3144-80

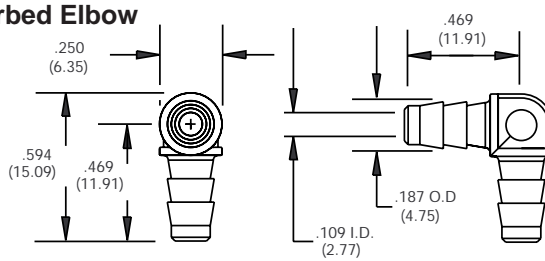
Barbed Elbow



Barbed ports for 1/8" I.D. flexible tubing.
Material: Nylon - Black or White
Polypropylene - Gray

F-3144-85

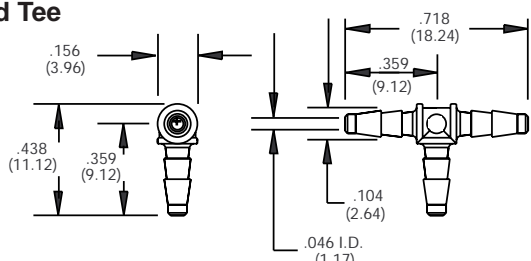
Barbed Elbow



Barbed ports for 1/8" I.D. flexible tubing.
Material: Nylon - Black or White
Polypropylene - Gray

F-3145-80

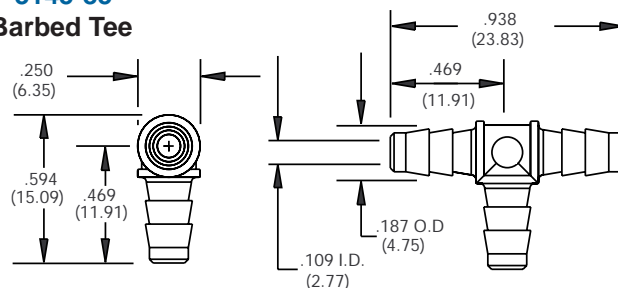
Barbed Tee



Barbed ports for 1/8" I.D. flexible tubing.
Material: Nylon - Black or White
Polypropylene - Gray

F-3145-85

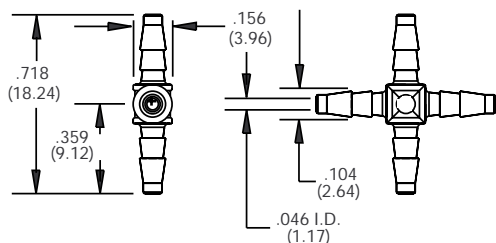
Barbed Tee



Barbed ports for 1/8" I.D. flexible tubing.
Material: Nylon - Black or White
Polypropylene - Gray

F-3146-80

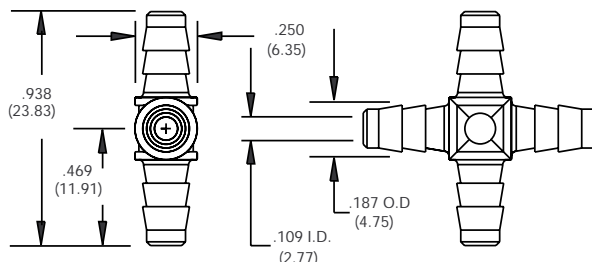
Barbed Cross



Barbed ports for 1/8" I.D. flexible tubing.
Material: Nylon - Black or White
Polypropylene - Gray

F-3146-85

Barbed Cross



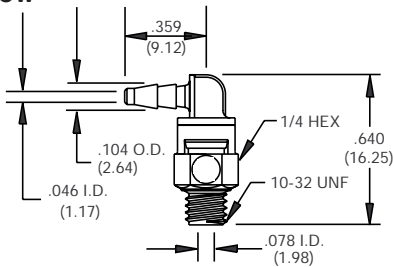
Barbed ports for 1/8" I.D. flexible tubing.
Material: Nylon - Black or White
Polypropylene - Gray

() = Metric Dimensions

() = Metric Dimensions

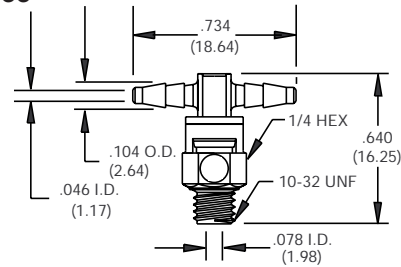
Swivel Elbow & Tee Fittings

F-3154-80
Swivel Elbow



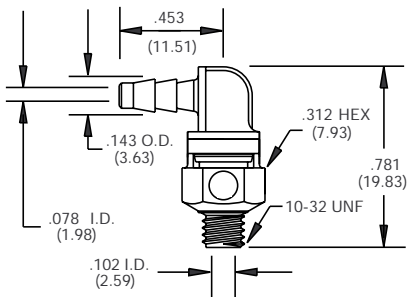
For 10-32 UNF x 1/16" I.D. flexible tubing. Swivels 360°. Buna-N o-ring seal. Material: Nylon.

F-3155-80
Swivel Tee



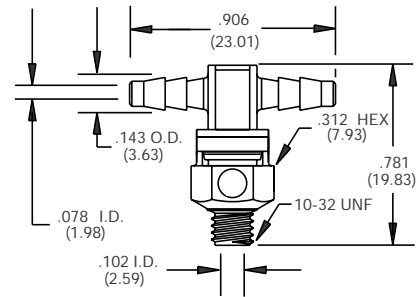
For 10-32 UNF x 1/16" I.D. flexible tubing. Swivels 360°. Buna-N o-ring seal. Material: Nylon.

F-3154-83
Swivel Elbow



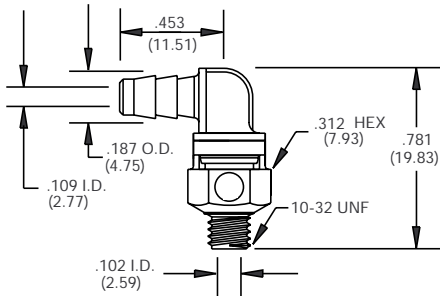
For 10-32 UNF x 3/32" I.D. flexible tubing. Swivels 360°. Buna-N o-ring seal. Material: Nylon.

F-3155-83
Swivel Tee



For 10-32 UNF x 3/32" I.D. flexible tubing. Swivels 360°. Buna-N o-ring seal. Material: Nylon.

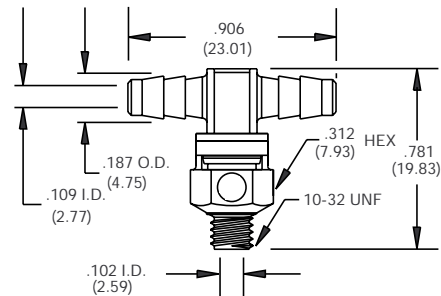
F-3154-85
Swivel Elbow



For 10-32 UNF x 1/8" I.D. flexible tubing. Swivels 360°. Buna-N o-ring seal. Material: Nylon.

() = Metric Dimensions

F-3155-85
Swivel Tee

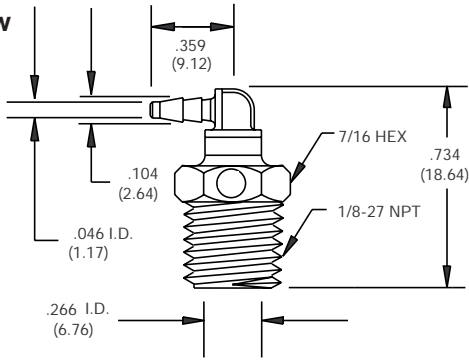


For 10-32 UNF x 1/8" I.D. flexible tubing. Swivels 360°. Buna-N o-ring seal. Material: Nylon.

() = Metric Dimensions

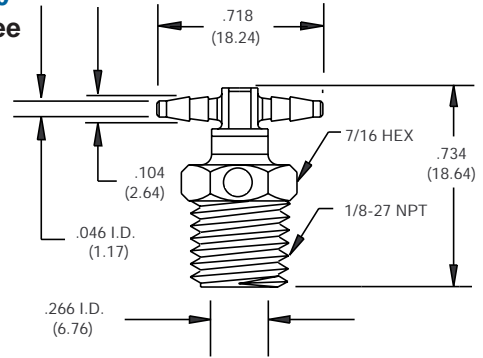
Swivel Elbow & Tee Fittings

F-3254-80
Swivel Elbow



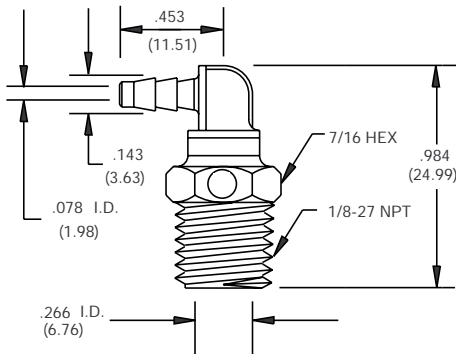
For 1/8-27 NPT x 1/16" I.D. flexible tubing. Swivels 360°. Buna-N o-ring seal. Material: Nylon.

F-3255-80
Swivel Tee



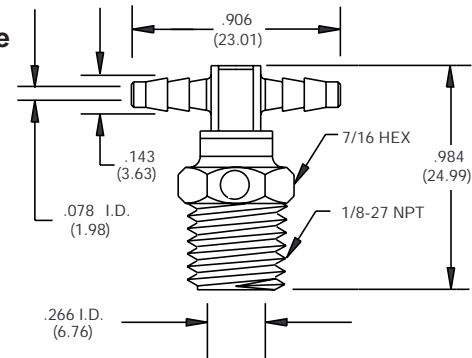
For 1/8-27 NPT x 1/16" I.D. flexible tubing. Swivels 360°. Buna-N o-ring seal. Material: Nylon.

F-3254-83
Swivel Elbow



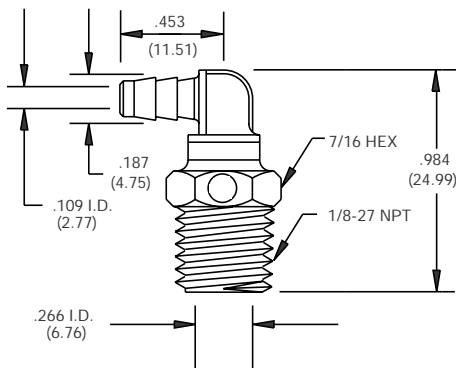
For 1/8-27 NPT x 3/32" I.D. flexible tubing. Swivels 360°. Buna-N o-ring seal. Material: Nylon.

F-3255-83
Swivel Tee



For 1/8-27 NPT x 3/32" I.D. flexible tubing. Swivels 360°. Buna-N o-ring seal. Material: Nylon.

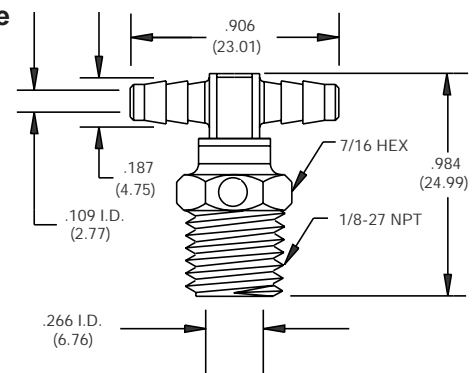
F-3254-85
Swivel Elbow



For 1/8-27 NPT x 1/8" I.D. flexible tubing. Swivels 360°. Buna-N o-ring seal. Material: Nylon.

() = Metric Dimensions

F-3255-85
Swivel Tee

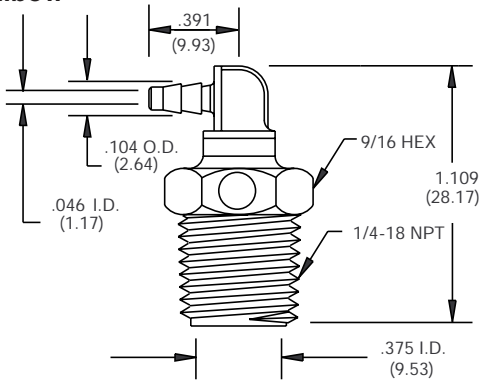


For 1/8-27 NPT x 1/8" I.D. flexible tubing. Swivels 360°. Buna-N o-ring seal. Material: Nylon.

() = Metric Dimensions

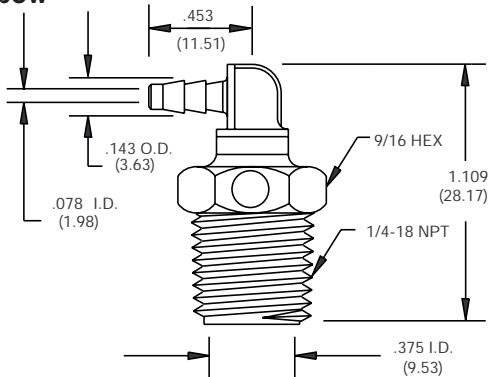
Swivel Elbow & Tee Fittings

F-3354-80
Swivel Elbow



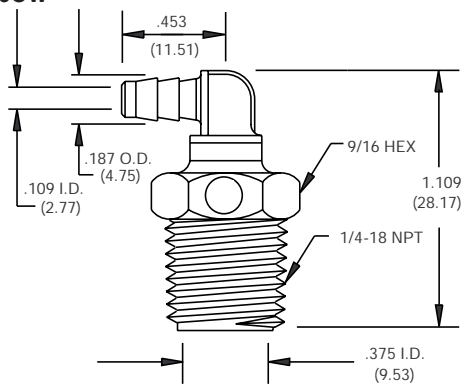
For 1/4-18 NPT x 1/16" I.D. flexible tubing. Swivels 360°.
Buna-N o-ring seal.
Material: Nylon.

F-3354-83
Swivel Elbow



For 1/4-18 NPT x 3/32" I.D. flexible tubing. Swivels 360°.
Buna-N o-ring seal.
Material: Nylon.

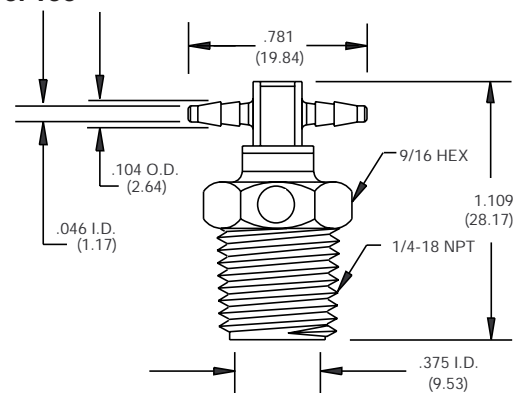
F-3354-85
Swivel Elbow



For 1/4-18 NPT x 1/8" I.D. flexible tubing. Swivels 360°.
Buna-N o-ring seal.
Material: Nylon.

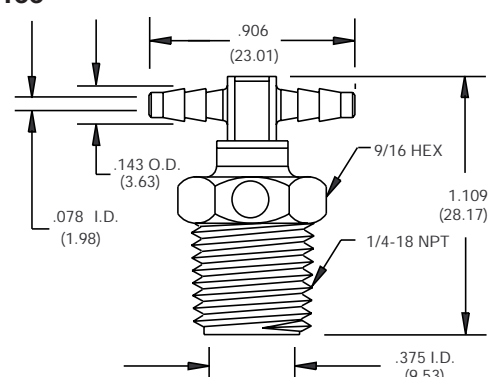
() = Metric Dimensions

F-3355-80
Swivel Tee



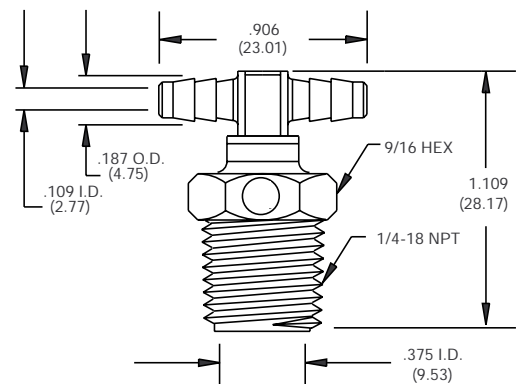
For 1/4-18 NPT x 1/16" I.D. flexible tubing. Swivels 360°.
Buna-N o-ring seal.
Material: Nylon.

F-3355-83
Swivel Tee



For 1/4-18 NPT x 3/32" I.D. flexible tubing. Swivels 360°.
Buna-N o-ring seal.
Material: Nylon.

F-3355-85
Swivel Tee

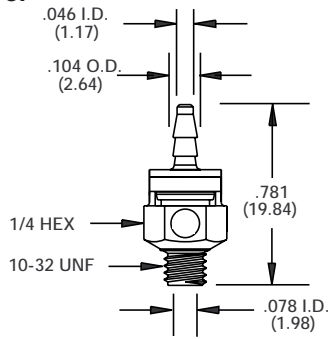


For 1/4-18 NPT x 1/8" I.D. flexible tubing. Swivels 360°.
Buna-N o-ring seal.
Material: Nylon.

() = Metric Dimensions

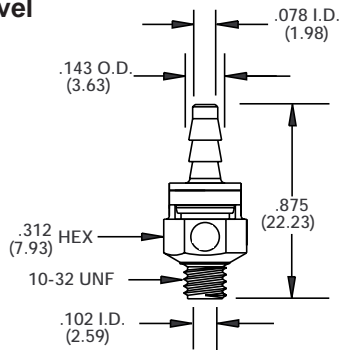
Straight Swivel Fittings

F-3150-80 Straight Swivel



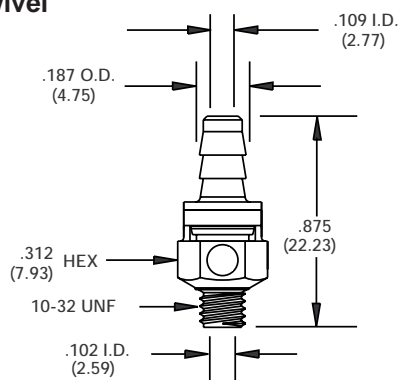
For 10-32 UNF x 1/16" I.D. flexible tubing. Swivels 360°.
Buna-N o-ring seal.
Material: Nylon.

F-3150-83 Straight Swivel



For 10-32 UNF x 3/32" I.D. flexible tubing. Swivels 360°.
Buna-N o-ring seal.
Material: Nylon.

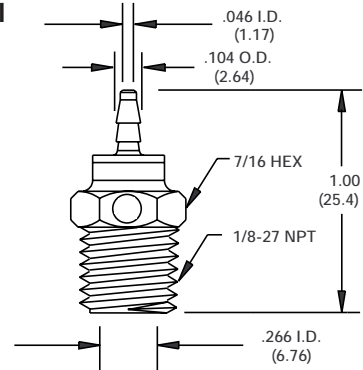
F-3150-85 Straight Swivel



For 10-32 UNF x 1/8" I.D. flexible tubing. Swivels 360°.
Buna-N o-ring seal.
Material: Nylon.

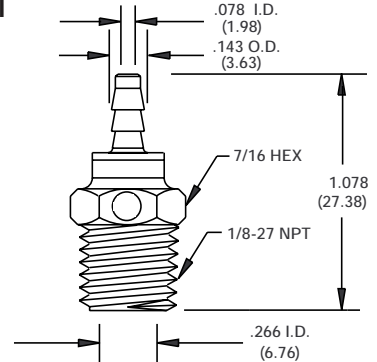
() = Metric Dimensions

F-3250-80 Straight Swivel



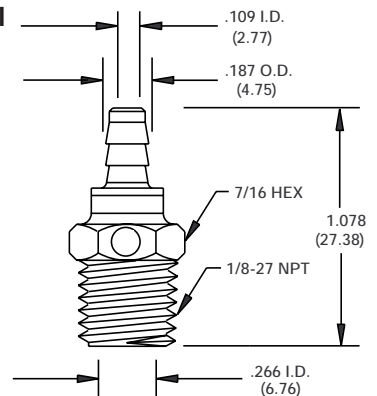
For 1/8-27 NPT x 1/16" I.D. flexible tubing. Swivels 360°.
Buna-N o-ring seal.
Material: Nylon.

F-3250-83 Straight Swivel



For 1/8-27 NPT x 3/32" I.D. flexible tubing. Swivels 360°.
Buna-N o-ring seal.
Material: Nylon.

F-3250-85 Straight Swivel



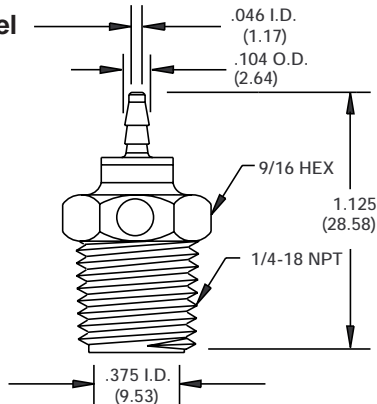
For 1/8-27 NPT x 1/8" I.D. flexible tubing. Swivels 360°.
Buna-N o-ring seal.
Material: Nylon.

() = Metric Dimensions

Straight Swivel Fittings

F-3350-80

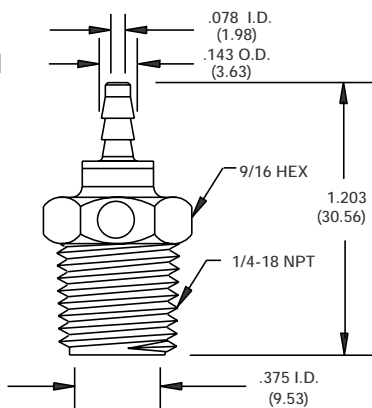
Straight Swivel



For 1/4-18 NPT x 1/16" I.D. flexible tubing. Swivels 360°. Buna-N o-ring seal. Material: Nylon.

F-3350-83

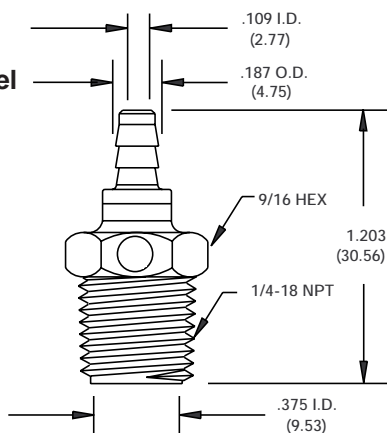
Straight Swivel



For 1/4-18 NPT x 3/32" I.D. flexible tubing. Swivels 360°. Buna-N o-ring seal. Material: Nylon.

F-3350-85

Straight Swivel



For 1/4-18 NPT x 1/8" I.D. flexible tubing. Swivels 360°. Buna-N o-ring seal. Material: Nylon.

() = Metric Dimensions

F-2804 Series Preset Flow Control



The Preset Flow Control maintains a constant flow in one direction and full flow in the opposite direction. The operation of the Flow Control is based on the movement of a small disc. The disc shifts within the housing as the pressure differential changes from forward to reverse. An orifice restrictor is encased in the center of the disc. A flat surface on one side of the disc seals and permits flow through the orifice.

The amount of flow permitted in the reverse direction, which is the sealing side, is determined by the orifice size. The amount of flow permitted in the forward direction is full flow.

- FEATURES**
- Precision Molded Orifice
 - Minimum Cracking Pressure
 - Miniature Size
 - Low Cost

SPECIFICATIONS

Maximum Supply: 75 PSI
 Operating Temperature: 40° to 120°F. (5° to 48°C.)
 Recommended Filtration: 5 micron
 Cracking Pressure: Less than 10" H₂O

MATERIALS

Orifice: Polysulfone
 Housing: Gray Polysulfone
 Disc: Silicone

MOUNTING

Inline

PORT CONNECTIONS

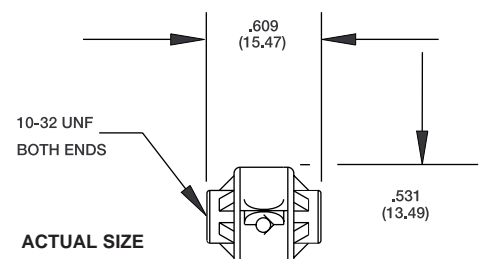
10-32 Threads, 10-32 Nipple is Supplied

ORDERING INFORMATION (Order by model number, specify orifice diameter and accessory letters required.)

F-2804-404 — 050 — B85

Model Number	Orifice Diameter	Port Connections
F-2804-404	041-0.004"	B80 - Barbs for 1/16" I.D. tubing
F-2804-404	050-0.005"	
F-2804-404	051-0.006"	B85 - Barbs for 1/8" I.D. tubing
F-2804-404	071-0.007"	
F-2804-404	101-0.010"	No accessory numbers required for 10-32 nipple
F-2804-404	121-0.012"	
F-2804-404	161-0.016"	
F-2804-404	201-0.020"	
F-2804-404	251-0.025"	
F-2804-404	301-0.030"	
F-2804-404	401-0.040"	

DIMENSIONS () = Metric Dimensions



F-950, F-960, F-970 Series Filters



The Poweraire Filters are designed for compressed air systems to remove most contaminate particles.

Three models are available: 1) The F-950 Series is an inline filter with barbs for 1/16" or 1/8" I.D. tubing, 2) The F-960 Series filter is encased in a male 10-32 UNF threaded housing with barbs for 1/16" or 1/8" I.D. tubing, 3) The F-970 Series Filter is encased in a female 10-32 UNF threaded housing.

The filters are precision molded of polysulfone material. The Dutch weave wire screen is constructed of stainless steel. The Dutch weave is resistant to high pressure. The filters are available in 5, 25, 43 and 73 microns. Maximum supply is 125 PSI. The inline filter is disposable.

- FEATURES**
- Low Cost
 - Small Size
 - Disposable
 - Low Pressure Drop

SPECIFICATIONS

Maximum Supply: 125 PSI
Operating Temperature: 40° to 120°F. (5° to 48°C.)

MATERIALS

Housing: Blue Polysulfone
Filter Media: 316 stainless steel filter screen

MOUNTING

Inline installation, 10-32 UNF male threads, or 10-32 UNF female threads

PORT CONNECTIONS

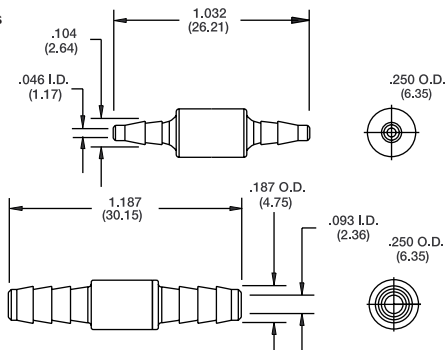
Barbs for 1/16" or 1/8" I.D. flexible tubing

ORDERING INFORMATION (Order by model number, specify micron size, and port connection.)

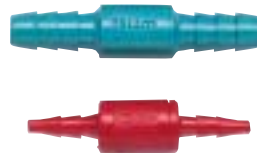
Model Number	Mounting	Filter Size	Port Connection
F-950	Inline	5 - 5 micron 325 x 2300 mesh	B80 - Barbs for 1/16" I.D. tubing
F-960	Male 10-32 UNF	25 - 25 micron 200 x 600 mesh 43 - 43 micron 325 x 325 mesh	B85 - Barbs for 1/8" I.D. tubing
F-970	Female 10-32 UNF	73 - 73 micron 200 x 200 mesh	No accessory numbers required for 10-32 threads

DIMENSIONS () = Metric Dimensions

F-950 Series



F-950 Series Filtered Orifice Restrictors



The Filtered Orifice Restrictors are designed for use in pneumatic control circuits. The orifice restrictor and a stainless steel filter are encased in a molded housing with barbs for 1/16" or 1/8" I.D. flexible tubing.

The Dutch weave wire screen is constructed of stainless steel. The filter is available in 5, 43 and 73 microns. The orifices are precision molded of polysulfone and are held to flow tolerances of ± 4%.

Available in ten color coded sizes .004" to .030" diameter. Maximum supply is 100 PSI. The Filtered Orifice Restrictors are disposable and designed for inline installation.

- FEATURES**
- Precision Molded
 - Miniature size
 - Low Pressure Drop

SPECIFICATIONS

Orifice Diameter: .004" to .030"
Maximum Supply: 100 PSI
Operating Temperatures: 40° to 120°F. (5° to 48°C.)

MATERIALS

Housing: Polysulfone
Filter Media: 316 stainless steel filter screen

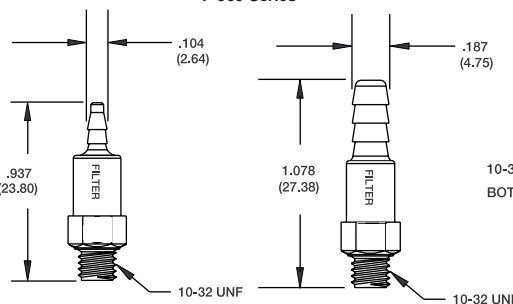
PORT CONNECTIONS

Barbs for 1/16" or 1/8" I.D. flexible tubing

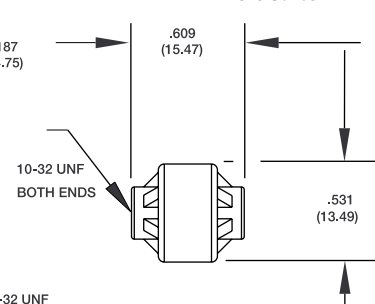
ORDERING INFORMATION (Order by model number, specify filter size, orifice diameter and accessory numbers for port connections .)

Model Number	Filter Size	Orifice Diameter	Color Code	Port Connection
F-950	5 - 5 micron 325 x 2300 mesh	.041-0.004"	Purple	B80 - Barbs for 1/16" I.D. tubing
		.050-0.005"	Lime Green	
		.051-0.006"	Red	
F-960	43 - 43 micron 325 x 325 mesh	.071-0.007"	Aqua Green	B85 - Barbs for 1/8" I.D. tubing
		.101-0.010"	Yellow	
		.121-0.012"	Black	
		.161-0.016"	Gray	
		.201-0.020"	Blue	
F-970	73 - 73 micron 200 x 200 mesh	.251-0.025"	Brown	
		.301-0.030"	Beige	

F-960 Series



F-970 Series



Plastic Fittings Series

F-2815, F-3120 Series Orifice Restrictors



The Poweraire Orifice Restrictors are designed for use in pneumatic control circuits. Available in eleven color coded sizes.

The Orifices are precision molded of polysulfone and are held to flow tolerances of $\pm 4\%$.

The Orifice Restrictors are available in three models: 1) For inline installation, 2) Available with barbs for 1/16" or 1/8" I.D. flexible tubing, or 3) Encased in a 10-32 barbed fitting.

The F-2815 Series Orifice Restrictors are for inline installation with straight ports for 1/16" I.D. flexible tubing. The orifice restrictors are available with barbs for 1/16" or 1/8" I.D. flexible tubing.

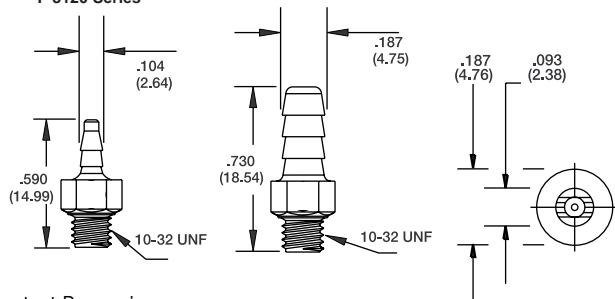
The F-3120 Series Orifice Restrictors are encased in a molded polysulfone barbed fitting. The barbed fitting has 10-32 UNF male threads and is available with barbs for 1/16" or 1/8" I.D. flexible tubing.

ORDERING INFORMATION (Order by model number, orifice diameter and specify accessory numbers for port connections.)

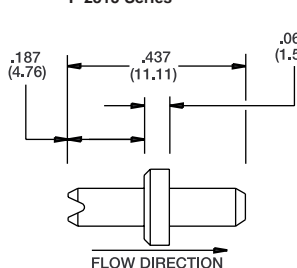
Model Number		Orifice Diameter	Color Code	Port Connection
10-32 Threads	Inline			
F-3120	F-2815	041-0.004"	Purple	B80 - Barbs for 1/16" I.D. tubing
F-3120	F-2815	050-0.005"	Lime Green	
F-3120	F-2815	051-0.006"	Red	
F-3120	F-2815	071-0.007"	Aqua Green	B85 - Barbs for 1/8" I.D. tubing
F-3120	F-2815	101-0.010"	Yellow	
F-3120	F-2815	121-0.012"	Black	
F-3120	F-2815	161-0.016"	Gray	No accessory numbers required for straight ports.
F-3120	F-2815	201-0.020"	Blue	
F-3120	F-2815	251-0.025"	Brown	
F-3120	F-2815	301-0.030"	Beige	
F-3120	F-2815	401-0.040"	Rust	

DIMENSIONS () = Metric Dimensions

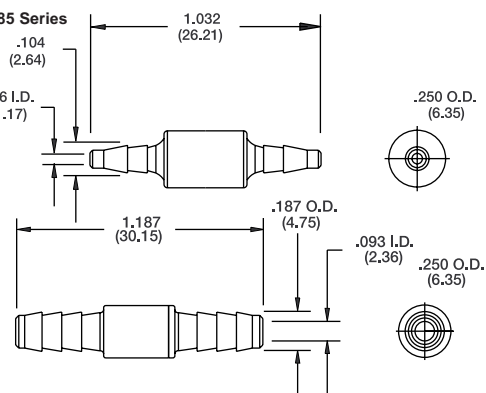
F-3120 Series



F-2815 Series



F-2185-B80, B85 Series



- FEATURES**
- Precision Molded
 - Miniature size
 - Low Cost

SPECIFICATIONS

Orifice Diameter: .004" to .040"
 Maximum Supply: 100 PSI
 Operating Temperatures: 40° to 120°F. (5° to 48°C.)
 Recommended Filtration: 5 micron
 Flow Tolerances: $\pm 4\%$

MATERIALS

Housing: Polysulfone

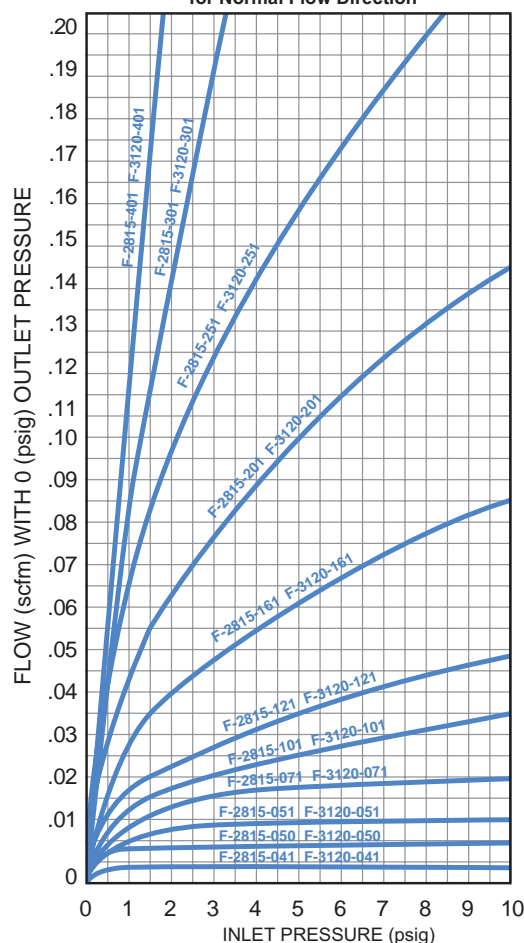
MOUNTING

Inline installation or 10-32 UNF male threads

PORT CONNECTIONS

Straight ports for 1/16" I.D. flexible tubing
 Barbs for 1/16" or 1/8" I.D. flexible tubing

Typical Flow Characteristics for Normal Flow Direction



F-2804 Series Check Valves



The F-2804 Series Check Valves permit flow in one direction only. The operation of the check valve is based on the movement of a small disc. The disc shifts within the housing as the pressure differential changes from forward to reverse. A flat surface on one side of the disc seals off flow, while the other side allows flow to pass.

Five models are available: The Polypropylene Unit, F-2804-400, the Standard Units, F-2804-401, 402, and 403 and the High Flow Unit, F-2804-404.

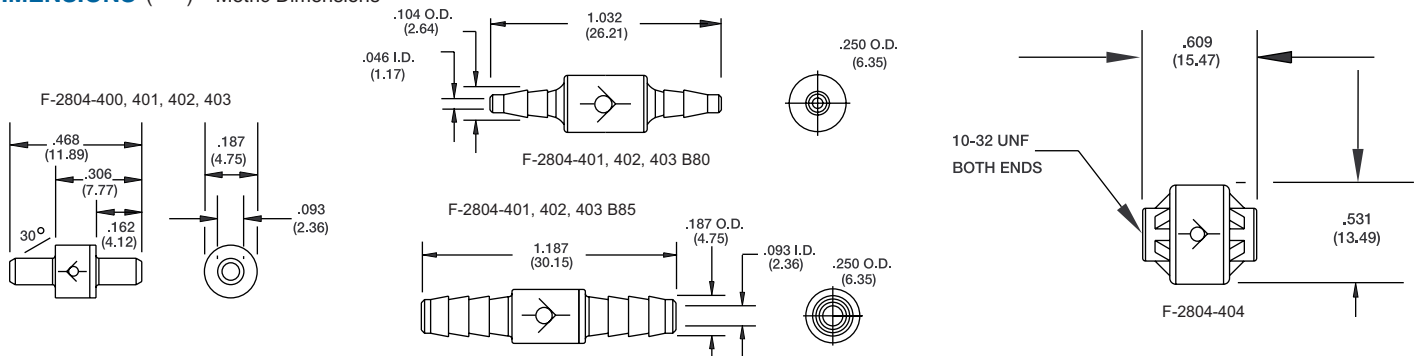
The advantages of the check valve design are low "cracking pressure" and a minimum differential for forward flow, less than 0.005 PSI in the Standard Units. Secondly, there is no residual pressure difference across the check valve once flow has ceased. Flow in the forward direction is relatively unrestricted, approximately equivalent to the restriction of a 0.040 inch orifice in the Standard Units. The amount of flow permitted in the reverse direction, which is the sealing side, and the forward direction, which is full flow, is shown in the graphs below right.

ORDERING INFORMATION (Order by model number and specify accessory letters required.)

F-2804 - 404 - B85

Model Number	Color Code	Port Connection
F-2804-400	Red Symbol	Only available with 1/16" straight ports
F-2804-401	Orange Symbol	B80 - Barbs for 1/16" I.D. tubing
F-2804-402	Green Symbol	B85 - Barbs for 1/8" I.D. tubing
F-2804-403	Blue Symbol	No accessory numbers required for straight ports.
F-2804-404	Black Housing	B80 - Barbs for 1/16" I.D. tubing B85 - Barbs for 1/8" I.D. tubing No accessory numbers required for 10-32 threads.

DIMENSIONS () = Metric Dimensions



FEATURES

- Minimum Cracking Pressure
- Miniature size
- Low Cost

SPECIFICATIONS

Maximum Supply: F-2804-400 • 10 PSI
F-2804-401 • 10 PSI
F-2804-402 • 10 PSI
F-2804-403 • 10 PSI
F-2804-404 • 75 PSI

Operating Temperature: 40° to 120°F. (5° to 48°C.)

Recommended Filtration: 5 micron

Cracking Pressure: F-2804-400 • Less than .8" H₂O
F-2804-401 • Less than .8" H₂O
F-2804-402 • Less than .8" H₂O
F-2804-403 • Less than .8" H₂O
F-2804-404 • Less than 10" H₂O

MATERIALS

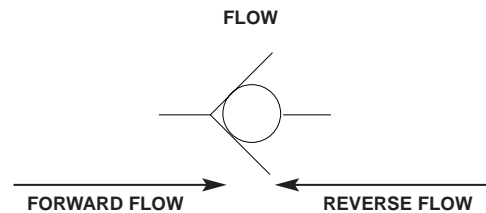
	Housing	Disc
F-2804-400	• Polypropylene	• Silicone
F-2804-401	• Polysulfone	• Celcon
F-2804-402	• Polysulfone	• Celcon
F-2804-403	• Polysulfone	• Silicone
F-2804-404	• Polysulfone	• Silicone

MOUNTING

Inline

PORT CONNECTIONS

Straight ports for 1/16" I.D. flexible tubing
Barbs for 1/16" or 1/8" I.D. flexible tubing
The F-2804-404 has 10-32 threads



TYPICAL FLOW CHARACTERISTICS

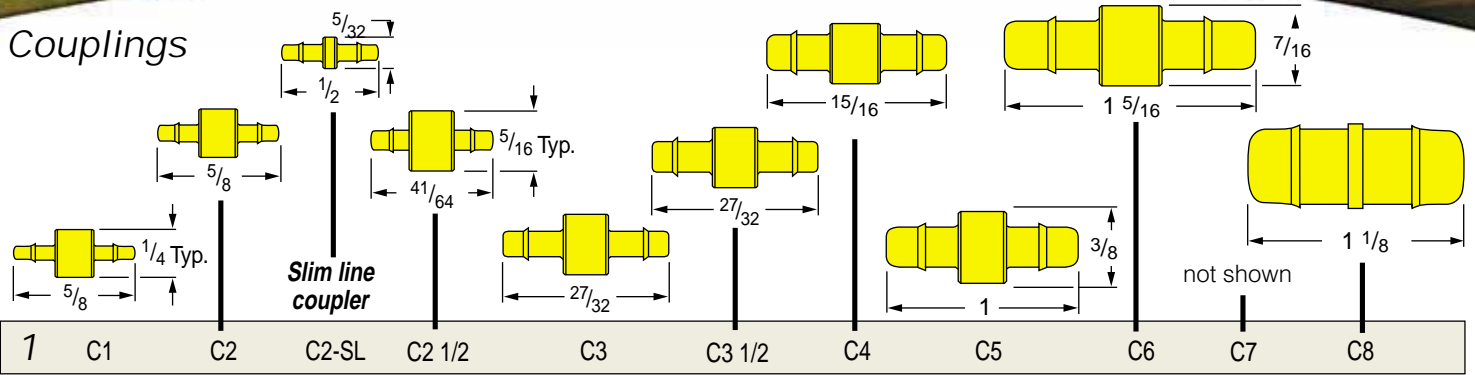
Model Number	Reverse Flow @ 1 PSI Differential	Forward Flow @ 1 PSI Differential
F-2804-400	Less than 0.20 SCFM	0.12 SCFM 1 PSI Supply
F-2804-401	Less than 2.98 SCFM	
F-2804-402	Less than 1.00 SCFM	
F-2804-403	Less than 0.20 SCFM	
F-2804-404	Less than 0.06 SCFM	2.0 SCFM 75 PSI Supply

Brass Fitting Series

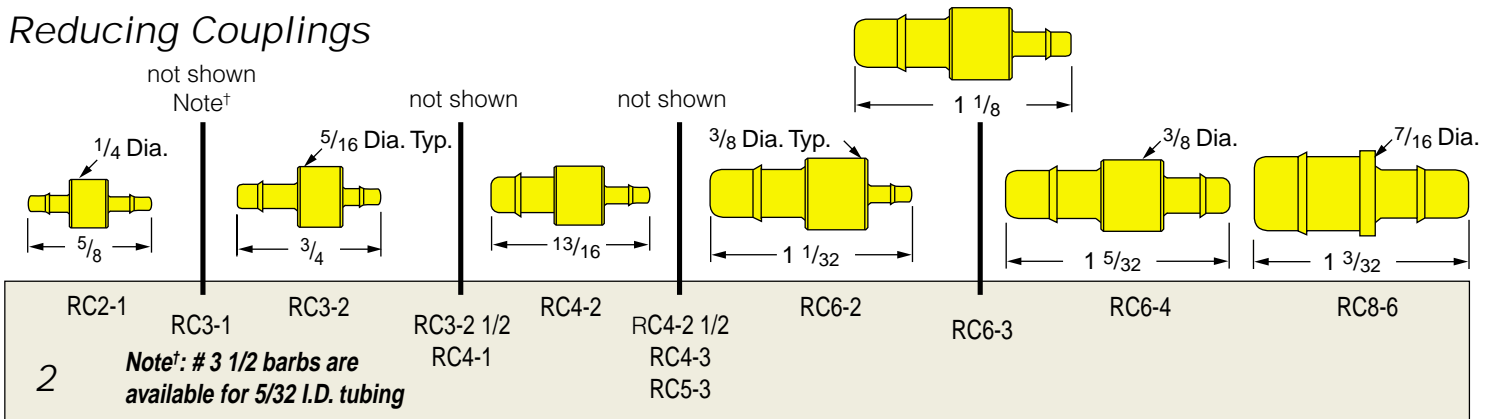


Brass Fittings Series

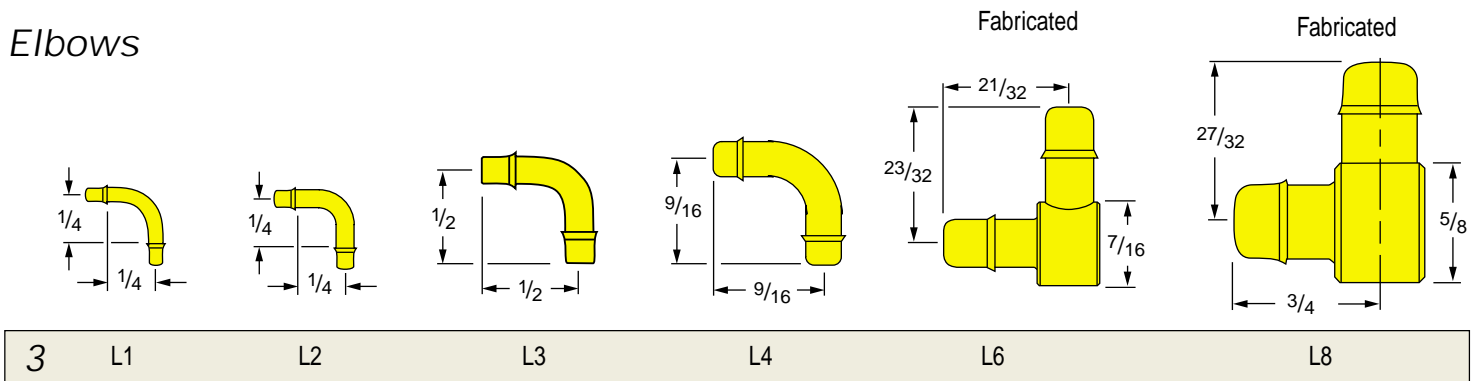
Couplings



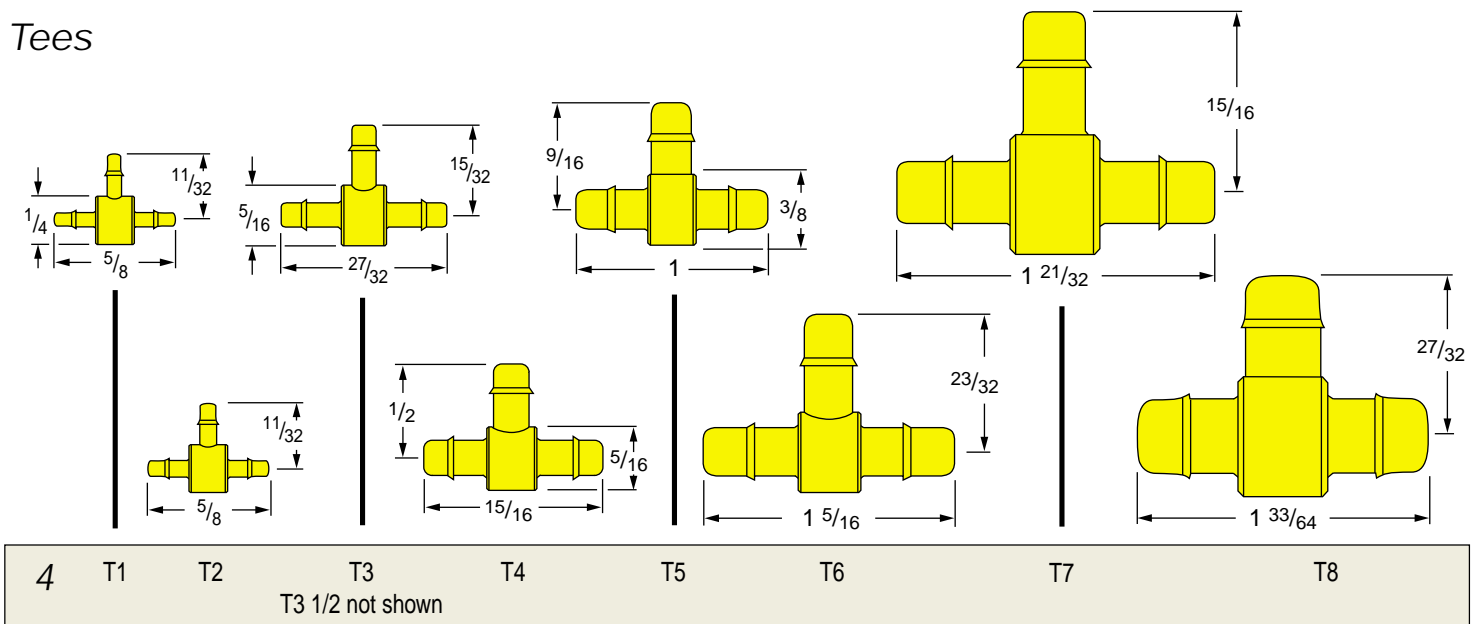
Reducing Couplings



Elbows

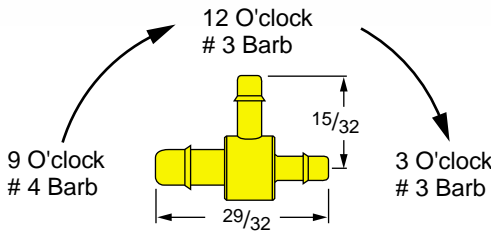


Tees



Reducing Tees

Part numbers: First number designates the branch at the 9:00 O'clock position in the drawing. The largest branch is called out first. Other branch numbers follow in a clockwise direction.



not shown

RT1-3-1	RT2-1-2	RT3-2-2	RT3-1-3	RT3-2-3	RT3-2 1/2-3	RT3-4-3	RT4-1-4	RT4-2-4	RT4-3-3	RT4-3-4	RT4-4-2	RT4-4-3
---------	---------	---------	---------	---------	-------------	---------	---------	---------	---------	---------	---------	---------

Note: # 3 1/2 barbs are available for 5/32 I.D. tubing

5

not shown

RT5-2-5	RT5-3-5	RT6-2-6	RT6-3-6	RT6-4-6	RT6-6-3
---------	---------	---------	---------	---------	---------

Note: # 3 1/2 barbs are available for 5/32 I.D. tubing

6

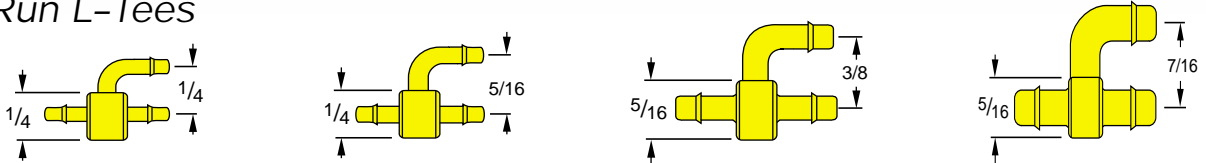
RT6-3-3	RT6-3-2 not shown	RT6-2-3 not shown	RT6-3-4	RT6-4-3	RT6-8-6	RT8-2-8	RT8-3-8	RT8-6-8
---------	-------------------	-------------------	---------	---------	---------	---------	---------	---------

Note: # 3 1/2 barbs are available for 5/32 I.D. tubing

7

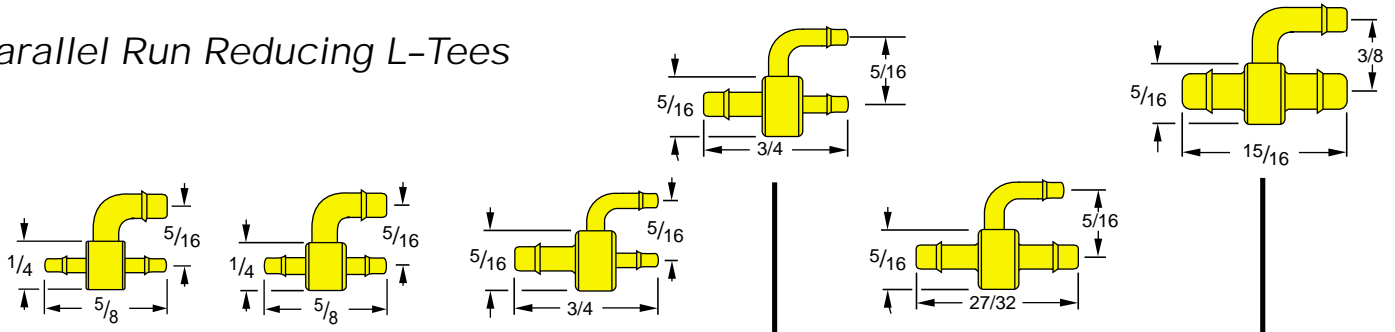
Brass Fittings Series

Parallel Run L-Tees



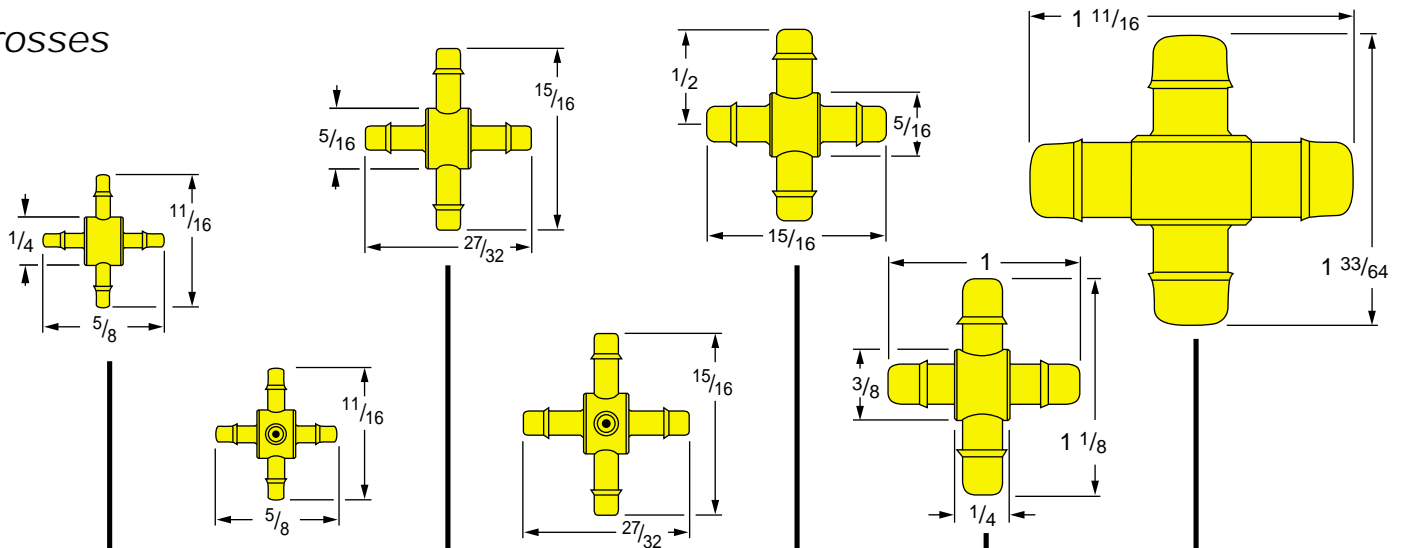
8 T1-L1-1 T2-L2-2 T3-L3-3 T4-L4-4

Parallel Run Reducing L-Tees



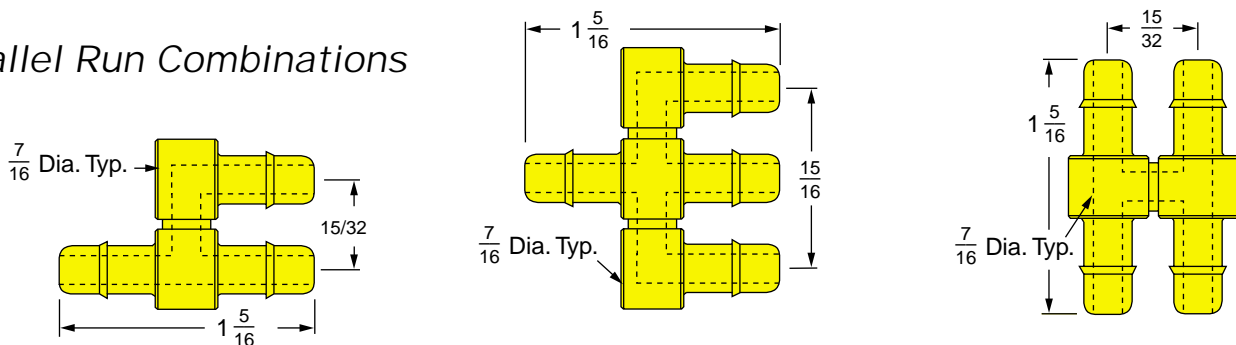
9 RT1-3L-1 RT2-3L-2 RT3-1L-1 RT3-2L-2 RT3-2L-3 RT4-3L-4

Crosses



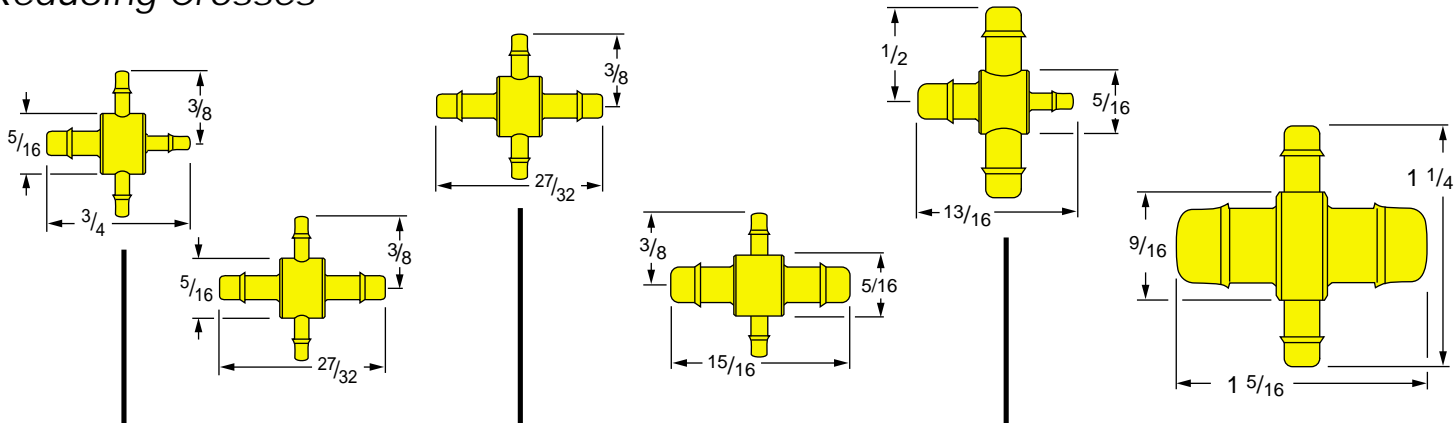
10 X1 shown X2 not shown X2 1/2 not shown X3 X3 x 5 X4 X5 X6 not shown X8
 X2 x 5 Five Branches X3 x 5 Five Branches

Parallel Run Combinations



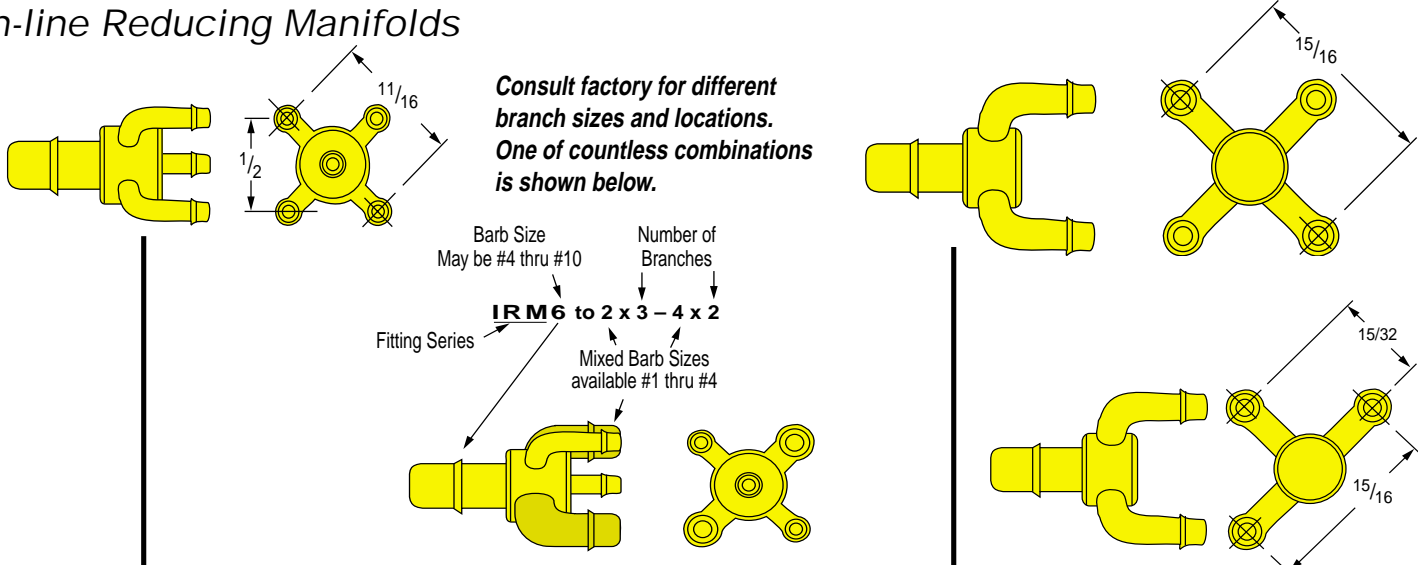
11 T-6-L6-6 IM6-L6-6-L6 H-6

Reducing Crosses



RX3-1-1-1 RX3-1-3-1 RX3-2-3-2 RX4-2-4-2 RX-4-4-2-4 RX8-4-8-4 **12**

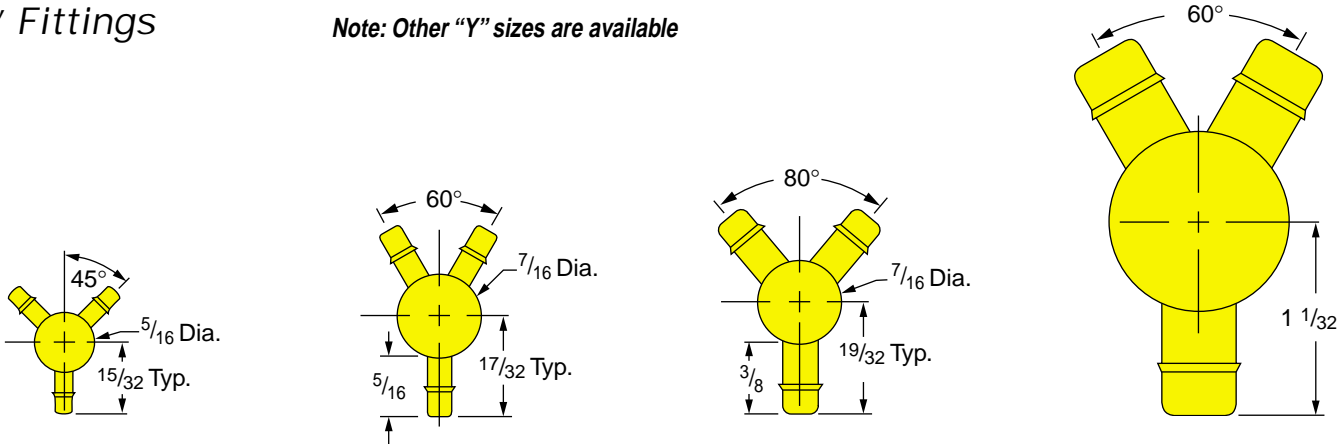
In-line Reducing Manifolds



IRM 6 to 2 x 5 **Ordering example above shows #6 barb inlet with 5 outlets – three #2 branches; two #4 branches** IRM 6 to 4 x 4 IRM 6 to 4 x 3 **13**

"Y" Fittings

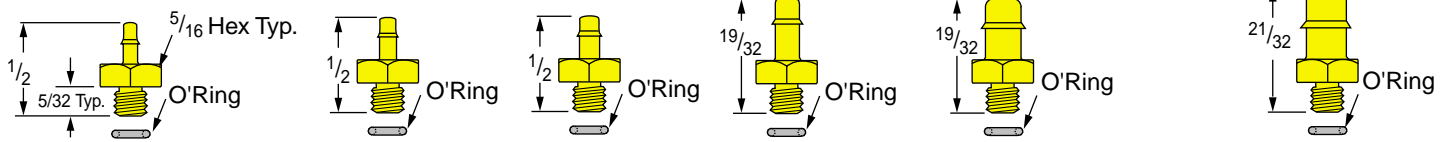
Note: Other "Y" sizes are available



Y-1 (not shown) Y-2 (shown) Y-3 Y-4 Y-8 **14**

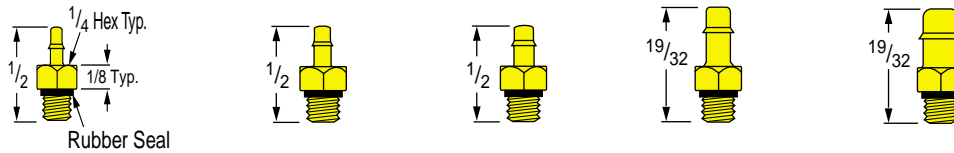
Brass Fittings Series

10-32 Male Thread to Tube with O-Ring Seal Assembled



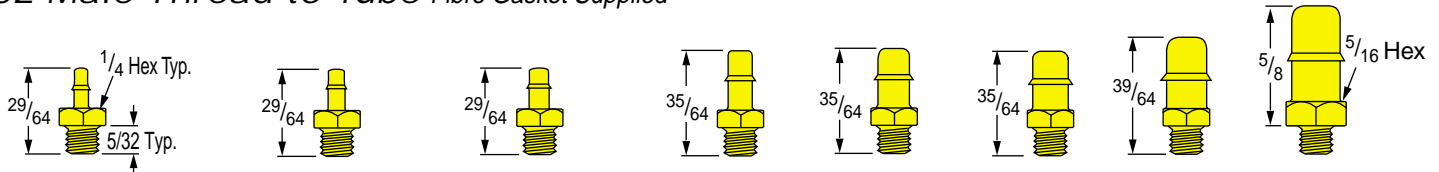
15	B1-0	B2-0	B2 1/2-0	B3-0	B4-0	B5-0
----	------	------	----------	------	------	------

10-32 Male Thread to Tube with Captive Rubber Gasket Assembled



16	B1-0-1/4	B2-0-1/4	B2 1/2-0-1/4	B3-0-1/4	B4-0-1/4
----	----------	----------	--------------	----------	----------

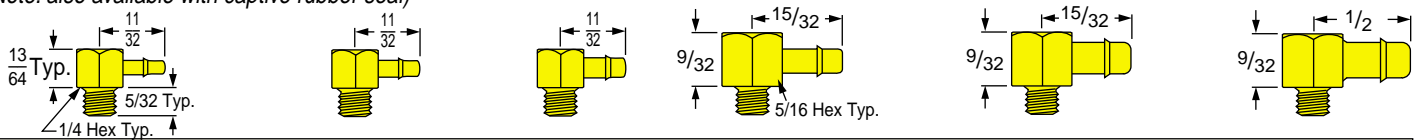
10-32 Male Thread to Tube Fibre Gasket Supplied



17	B1	B2	B2 1/2	B3	B3 1/2	B4	B5	B6
----	----	----	--------	----	--------	----	----	----

Elbows: 10-32 Male to Tube Fibre Gasket Supplied (*Note: also available with "O" Ring seal)

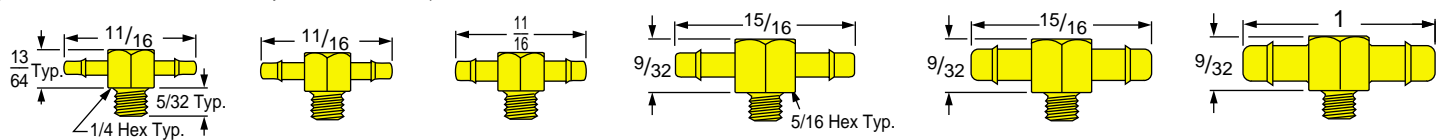
(†Note: also available with captive rubber seal)



18	10LB1†	10LB2†	10LB2 1/2†	10LB3*	10LB3 1/2*	10LB4*
----	--------	--------	------------	--------	------------	--------

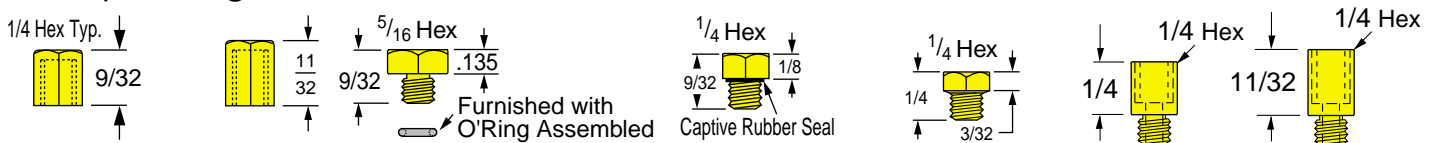
Tees: 10-32 Male to Tube Fibre Gasket Supplied (*Note: also available with "O" Ring seal)

(†Note: also available with captive rubber seal)



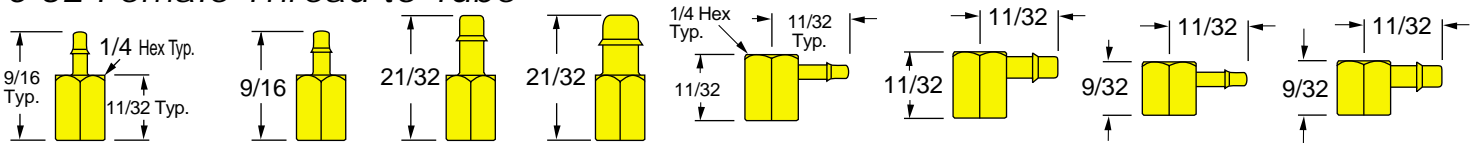
19	10T1†	10T2†	10T2 1/2†	10T3*	10T3 1/2*	10T4*
----	-------	-------	-----------	-------	-----------	-------

10-32 Caps, Plugs & Extensions (*Note: Fibre Gasket Supplied)



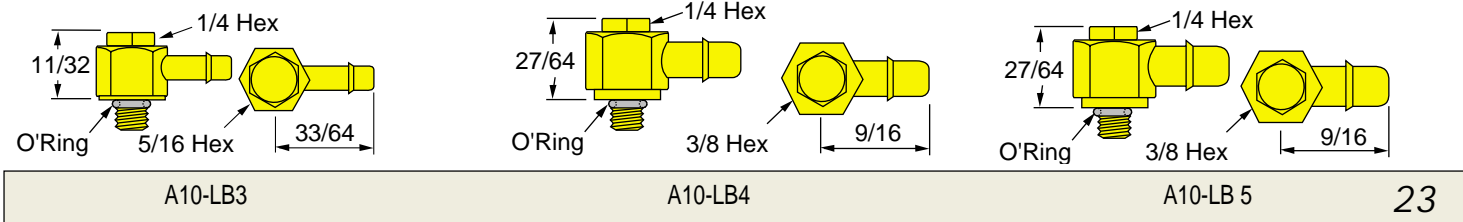
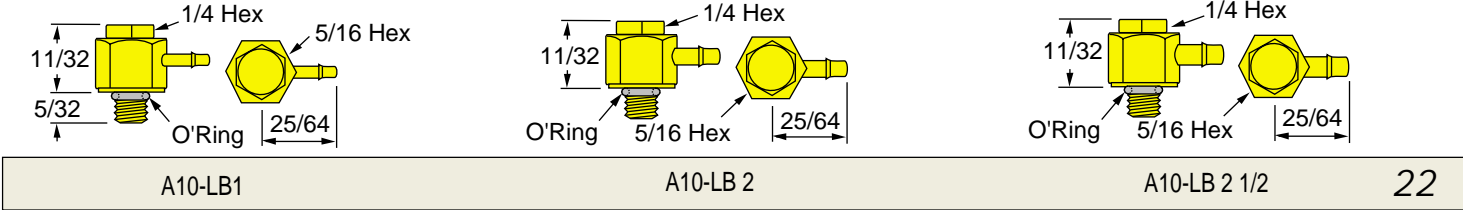
20	10-32 Cap Short	10-32 Cap	10-0 Plain Plug	10-0-1/4 Plain Plug	† 10-32 Plain Plug	† EX10-10 (1/4)	† EX10-10
----	-----------------	-----------	-----------------	---------------------	--------------------	-----------------	-----------

10-32 Female Thread to Tube

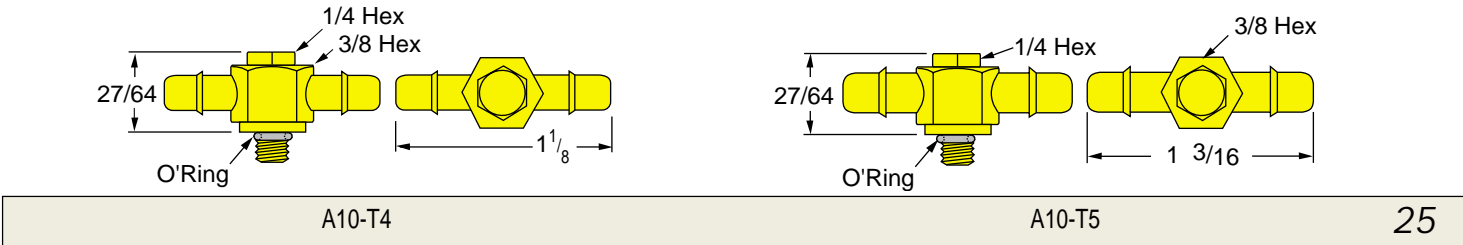
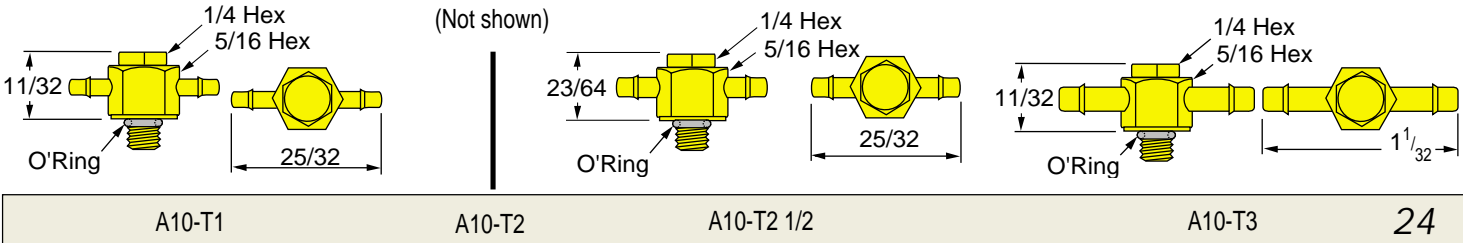


21	10-FB1	10-FB2	10-FB3	10-FB4	10-FLB1	10-FLB2	10-FLB1 (Short)	10-FLB2 (Short)
----	--------	--------	--------	--------	---------	---------	-----------------	-----------------

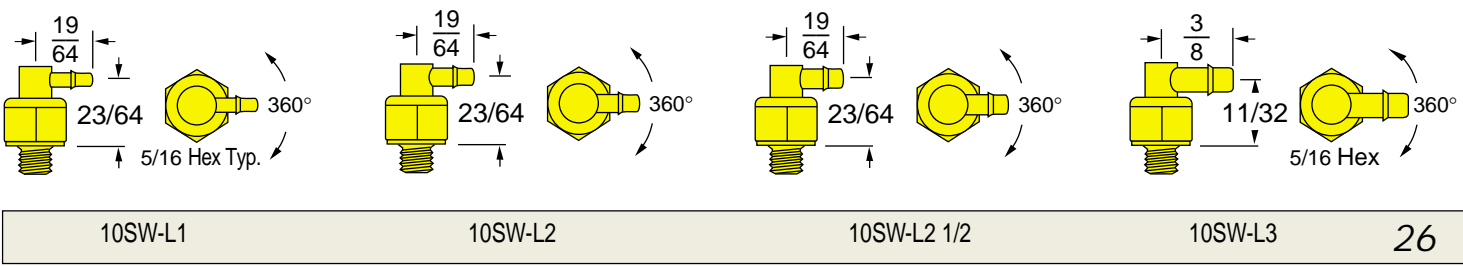
10-32 Adjustable Elbows with O-Ring Seals Assembled



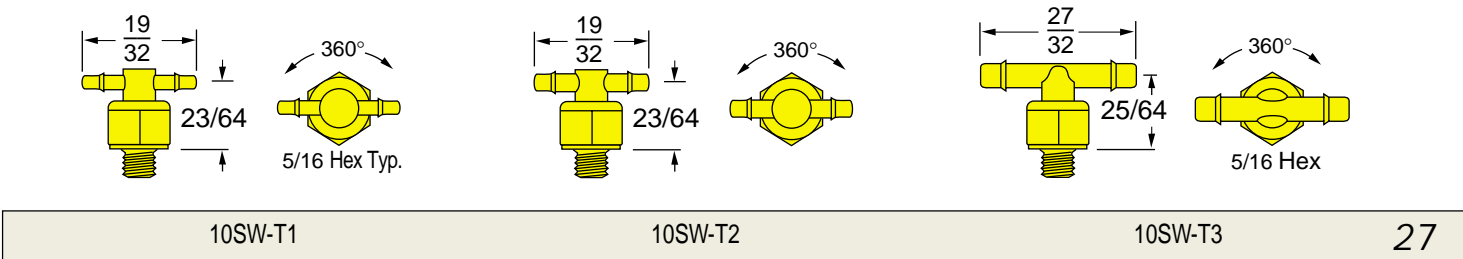
10-32 Adjustable TEEs with O-Ring Seals Assembled



10-32 Swivel Elbows Fibre Gasket Supplied

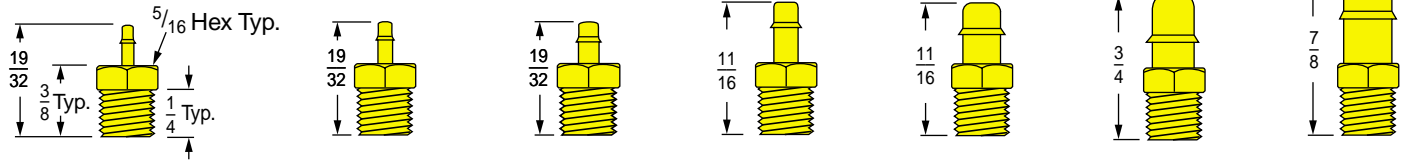


10-32 Swivel Tees Fibre Gasket Supplied



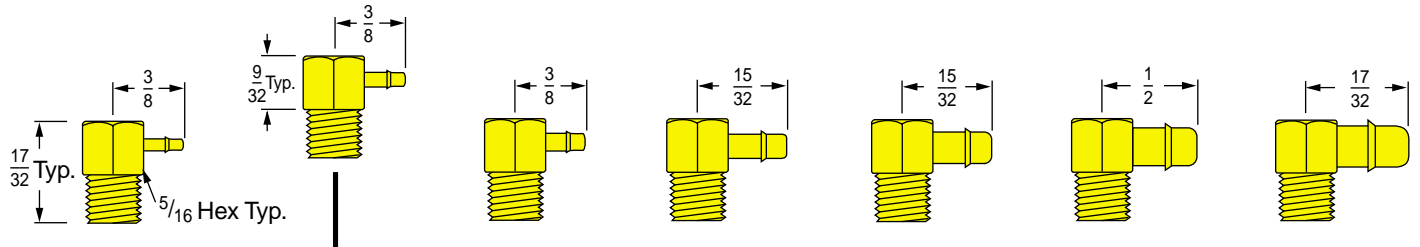
Brass Fittings Series

1/4-28 Male Straight Thread to Tube Fibre Gasket Supplied



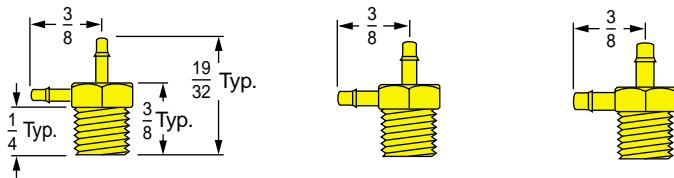
28 4-28 B1 4-28 B2 4-28 B 2 1/2 4-28 B3 4-28 B4 4-28 B5 4-28 B6

Elbows: 1/4-28 Male to Tube Fibre Gasket Supplied



29 4-28 L B1 4-28 LB2 4-28 LB 2 1/2 4-28 LB3 4-28 LB 3 1/2 4-28 LB4 4-28 LB5

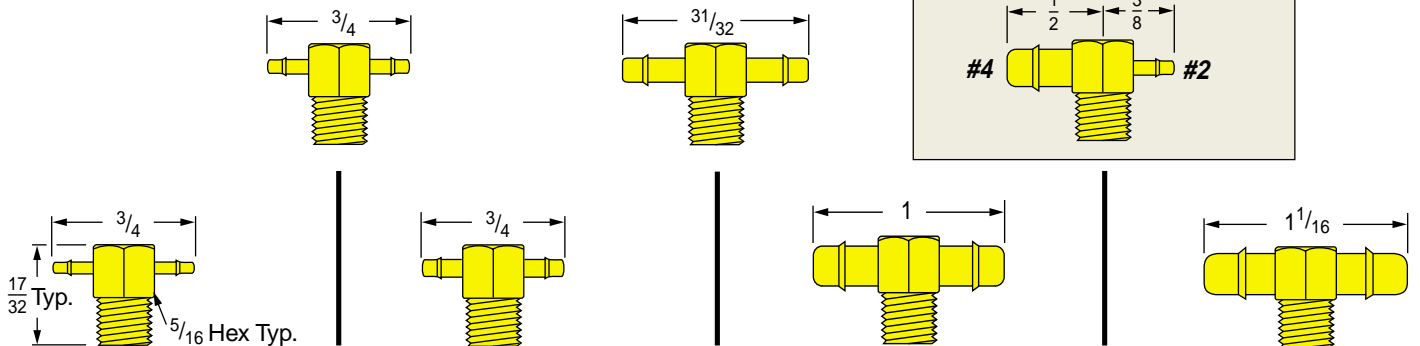
L-Tees: 1/4-28 Male to Tube Fibre Gasket Supplied



Note: Also available as Reducing L-Tee combinations similar to two examples below

30 4-28LT1 4-28 LT2 4-28 LT 2 1/2 4-28 RLT 2-1 4-28 RLT 2-3

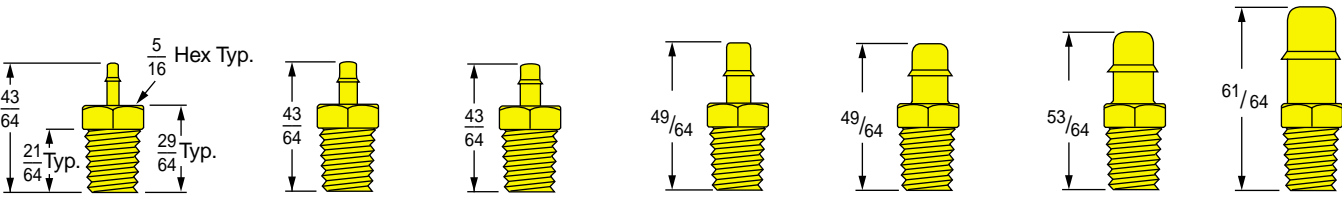
Tees: 1/4-28 Male to Tube Fibre Gasket Supplied



Note: Also available as Reducing Tee combinations similar to the example below

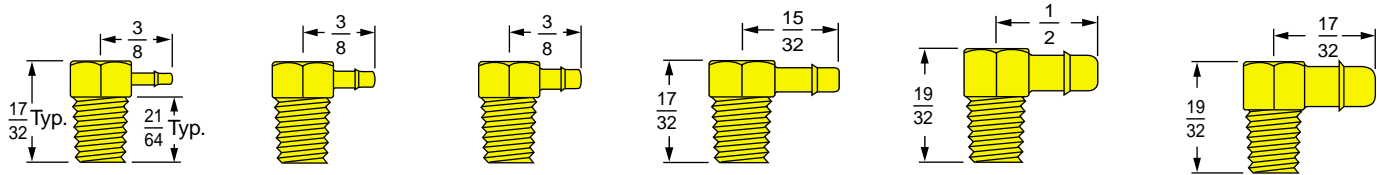
31 4-28 T1 4-28 T2 4-28 T2 1/2 4-28 T3 4-28 T4 4-28 RT 4-2 4-28 T5

1/16 Male Pipe Thread to Tube



1/16 B1 1/16 B2 1/16 B2 1/2 1/16 B3 1/16 B4 1/16 B5 1/16 B6 32

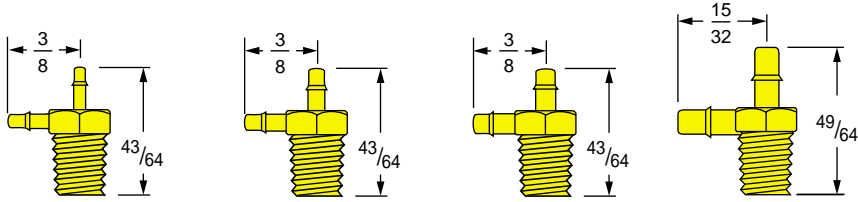
Elbows: 1/16 NPT Male to Tube



1/16 LB1 1/16 LB2 1/16 LB2 1/2 1/16 LB3 1/16 LB4 1/16 LB5 33

L-Tees: 1/16 NPT Male to Tube

Note: Also available in Reducing L-Tee combinations. See "RLT" examples on opposite page, line 30.



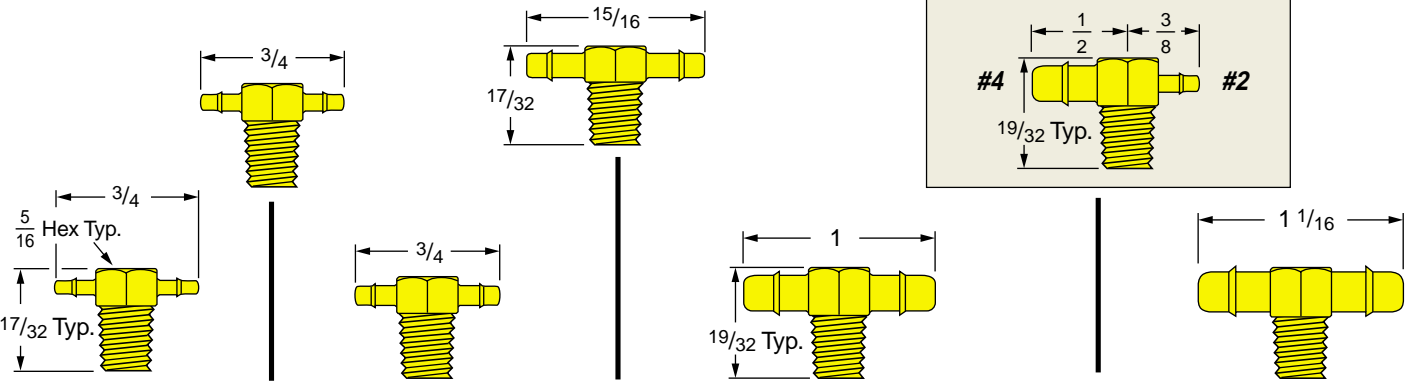
1/16 LT1 1/16 LT2 1/16 LT2 1/2 1/16 LT3

45° Elbows - NEW

† **Note: also available with #1, #2, & #4 barbs**

†1/16 LB3-45° †1/16 LB6-45° 34

Tees: 1/16 NPT Male to Tube

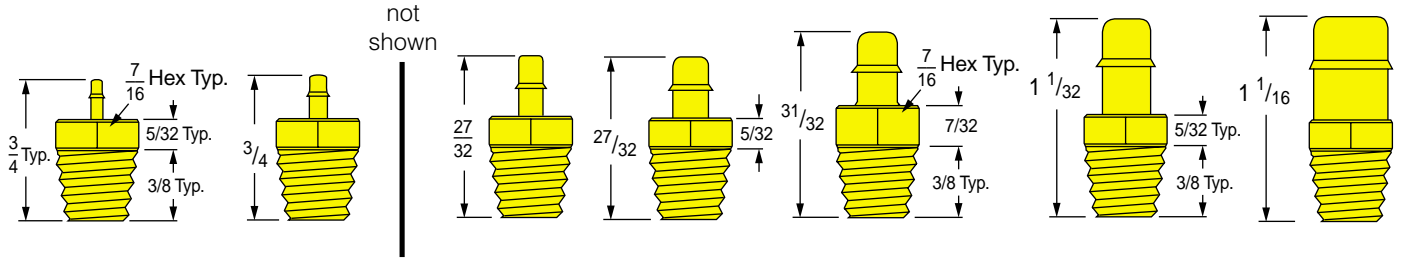


Note: Also available as Reducing Tee combinations similar to the example below

1/16 T1 1/16 T2 1/16 T2 1/2 1/16 T3 1/16 T4 1/16 RT 4-2 1/16 T5 35

Brass Fittings Series

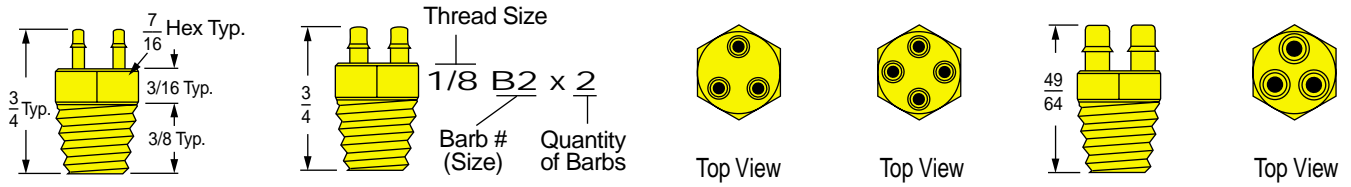
1/8 Male Pipe Thread to Tube



36	1/8 B1	1/8 B2	1/8 B2 1/2	1/8 B3	1/8 B4	1/8 B5	1/8 B6	1/8 B8
----	--------	--------	------------	--------	--------	--------	--------	--------

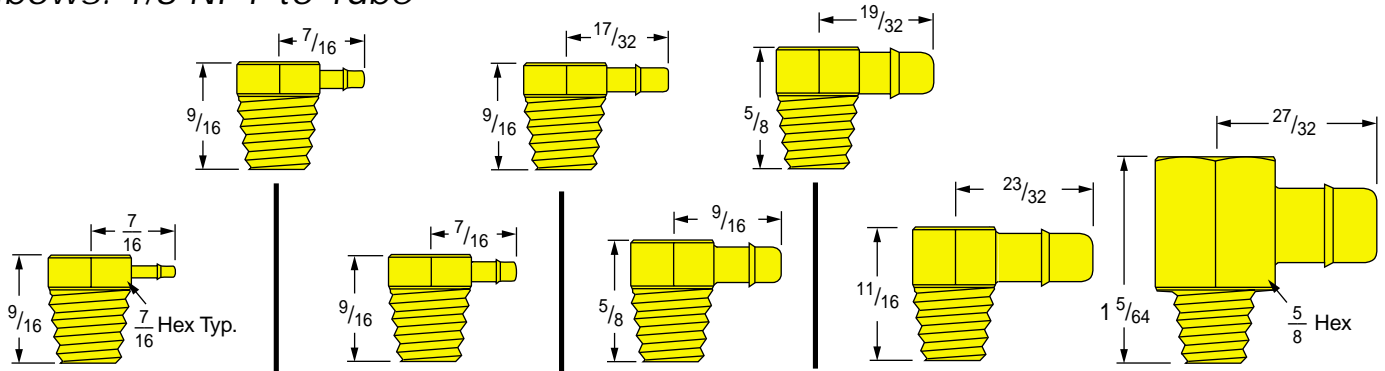
1/8 Male Pipe Straight Manifolds

Part Numbering Example



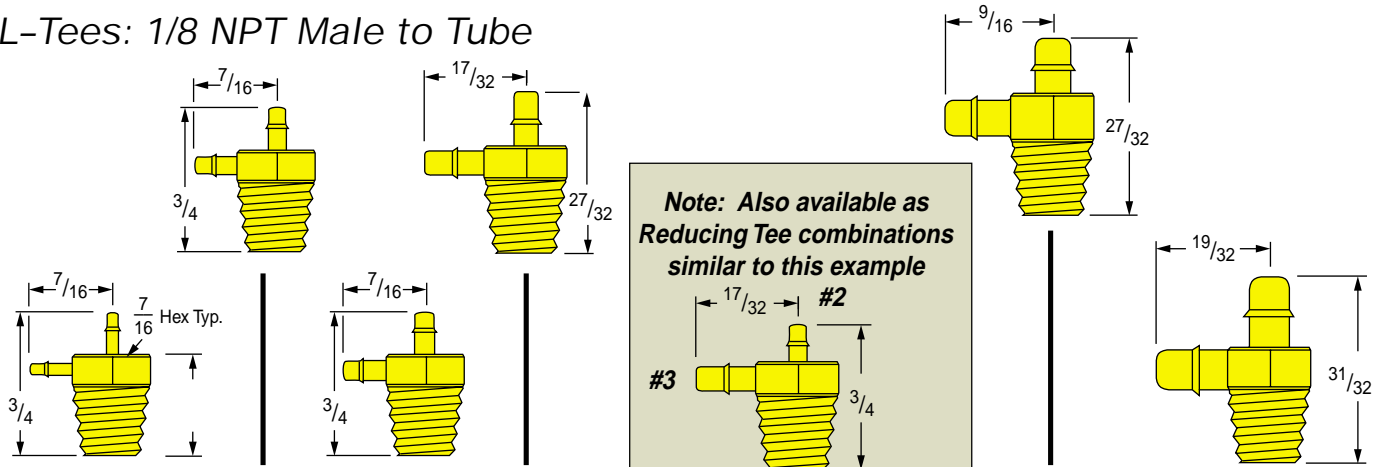
37	1/8 B1 x 2	1/8 B2 x 2	1/8 B2 x 3	1/8 B2 x 4	1/8 B3 x 2	1/8 B3 x 3
----	------------	------------	------------	------------	------------	------------

Elbows: 1/8 NPT to Tube



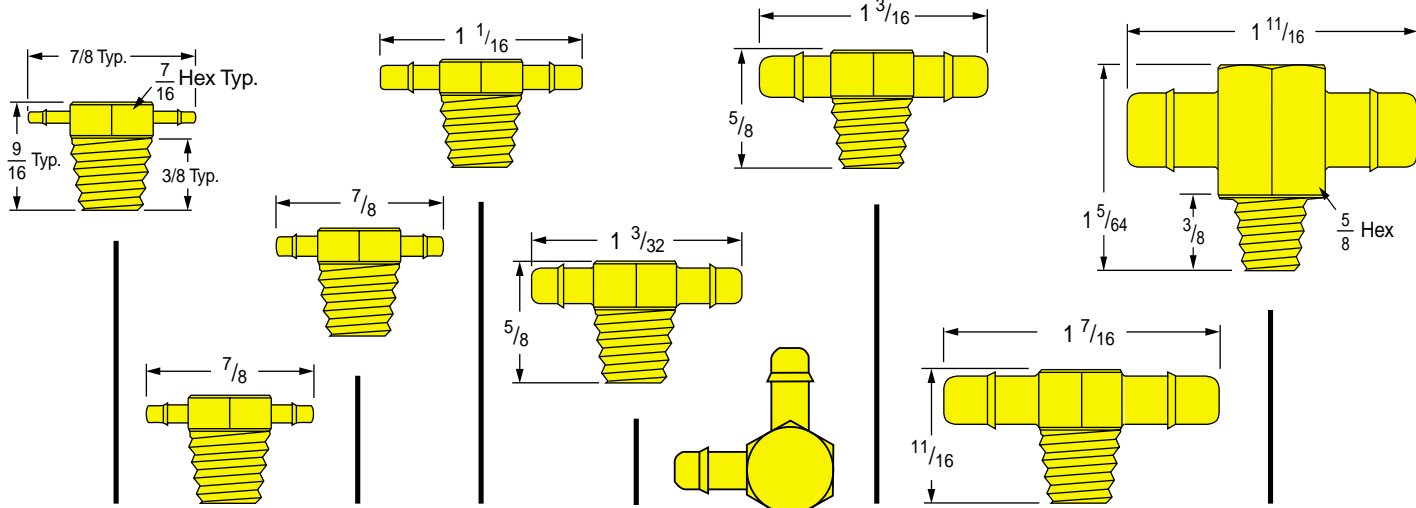
38	1/8 LB1	1/8 LB2	1/8 LB2 1/2	1/8 LB3	1/8 LB4	1/8 LB5	1/8 LB6	1/8 LB8
----	---------	---------	-------------	---------	---------	---------	---------	---------

L-Tees: 1/8 NPT Male to Tube

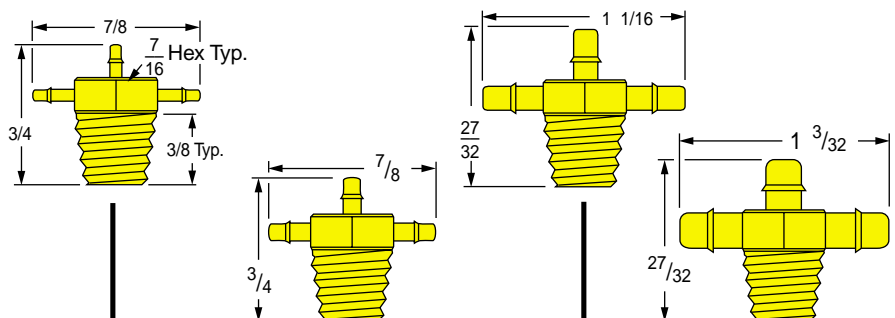


39	1/8 LT1	1/8 LT2	1/8 LT2 1/2	1/8 LT3	1/8 RLT3-2	1/8 LT4	1/8 LT5
----	---------	---------	-------------	---------	------------	---------	---------

Tees: 1/8 NPT Male to Tube



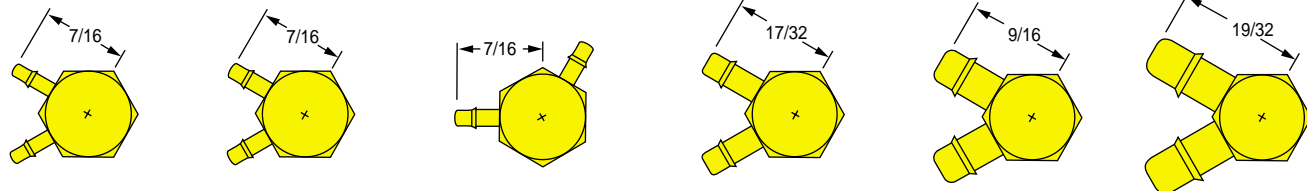
1/8 T1 1/8 T2 1/8 T2 1/2 1/8 T3 1/8 T4 1/8 T4-90° 1/8 T5 1/8 T6 1/8 T8 40



1/8 T1 x 3 1/8 T2 x 3 1/8 T3 x 3 1/8 T4 x 3

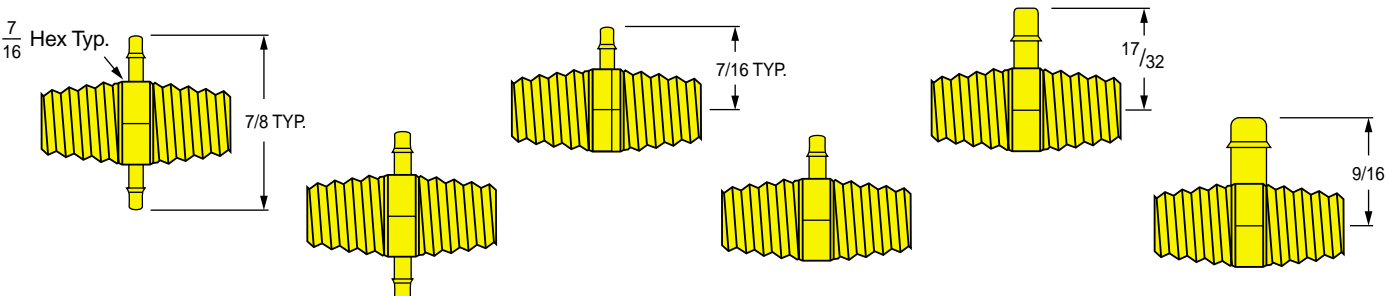
Note: Reducing Tee's available with other barb combinations

1/8 RT3 x 1 1/8 RT4 x 2 41



1/8 VT1 1/8 VT2 1/8 VT2 1/2-120° 1/8 VT3 1/8 VT4 1/8 VT5 42

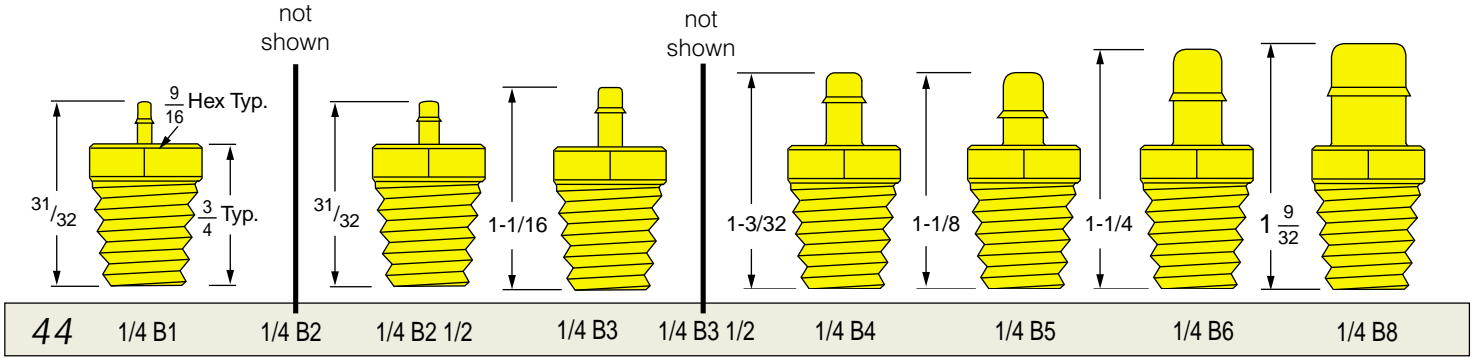
1/8 Male Pipe Nipples with Tube Branches



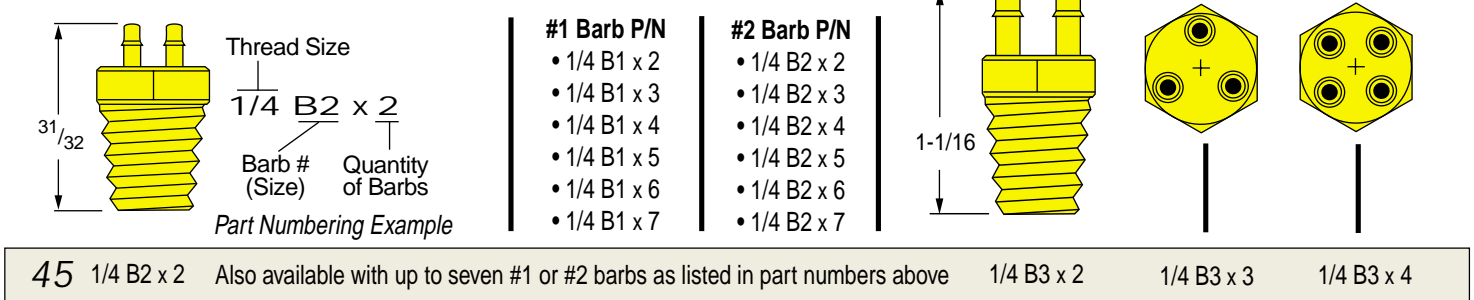
1/8 HNX1 1/8 HNX2 1/8 HN-T1 1/8 HN-T2 1/8 HN-T3 1/8 HN-T4 43

Brass Fittings Series

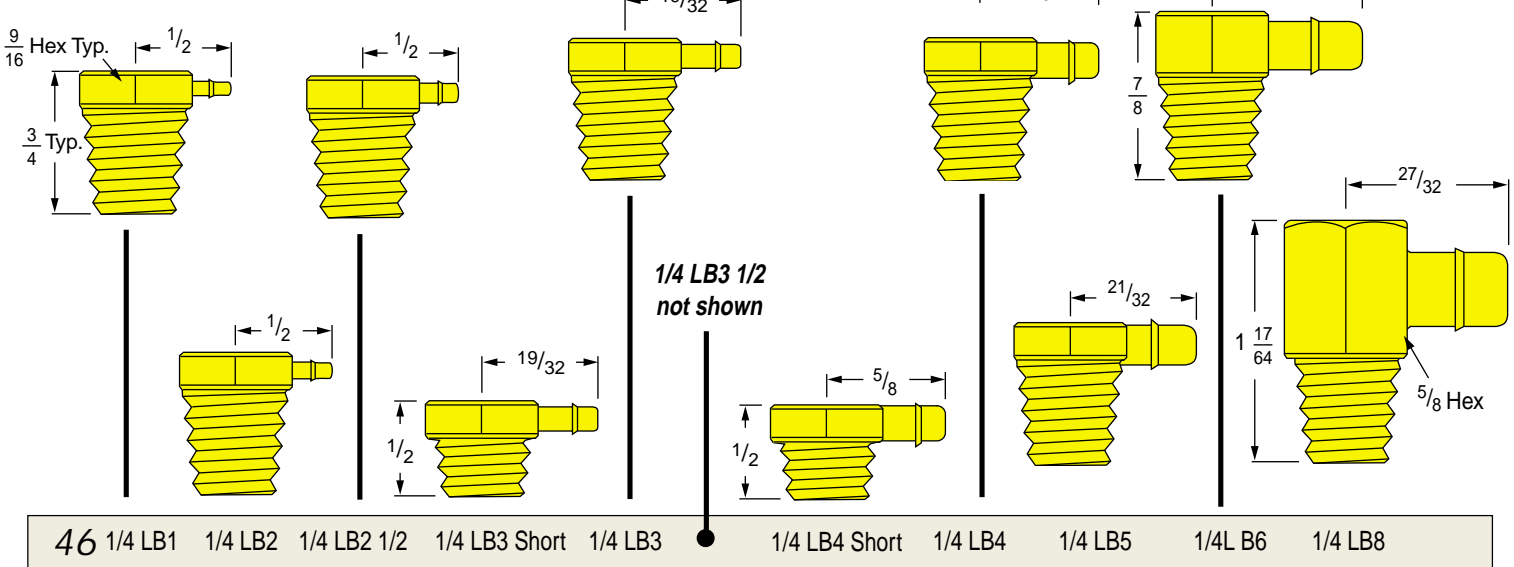
1/4 Male Pipe Thread to Tube



1/4 Male Pipe Straight Manifolds

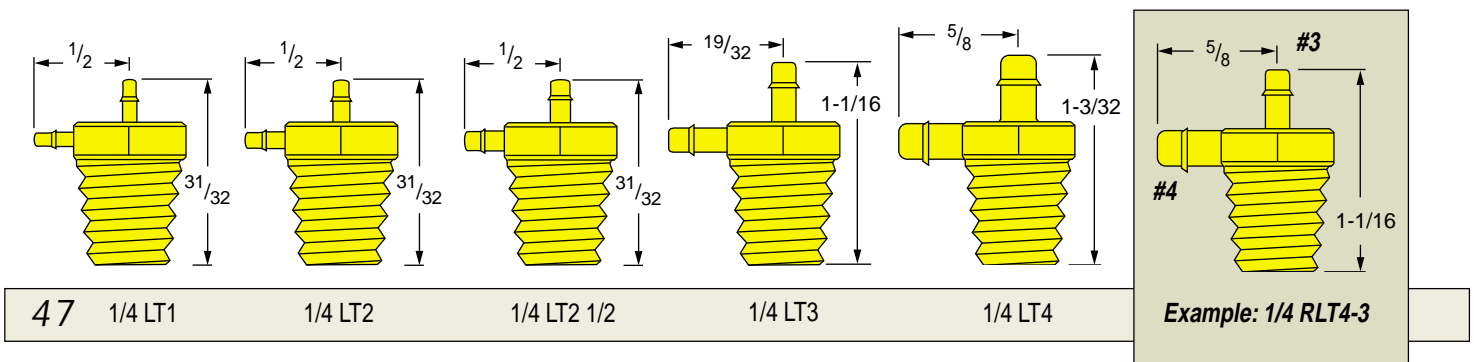


Elbows: 1/4 NPT Male to Tube



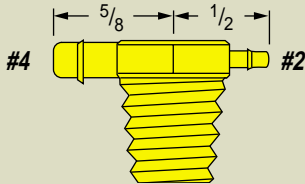
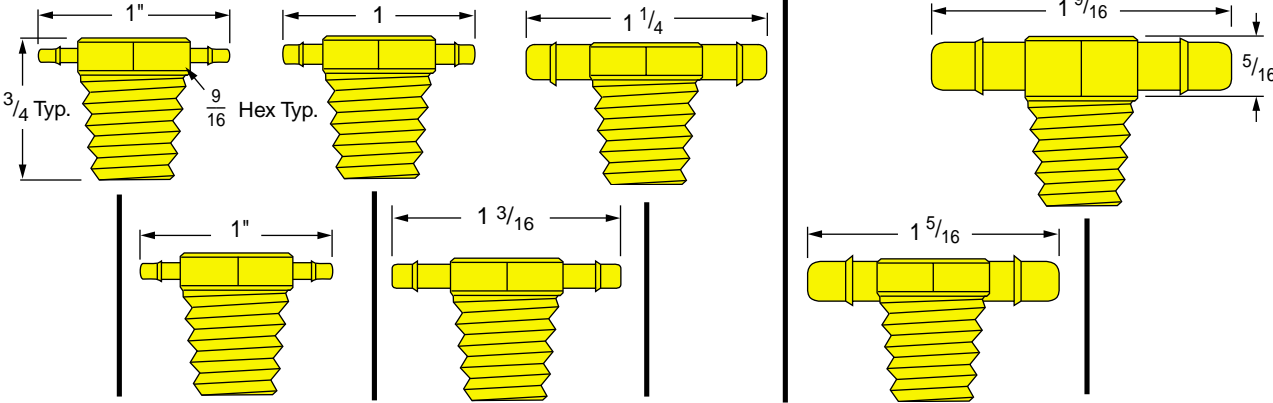
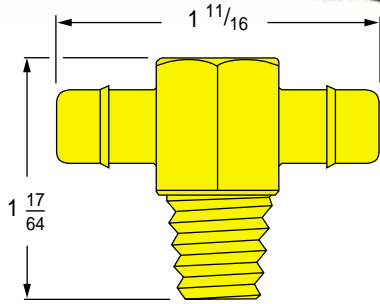
L-Tees: 1/4 NPT Male to Tube

Note: Available in Reducing L-Tee combinations similar to the example below

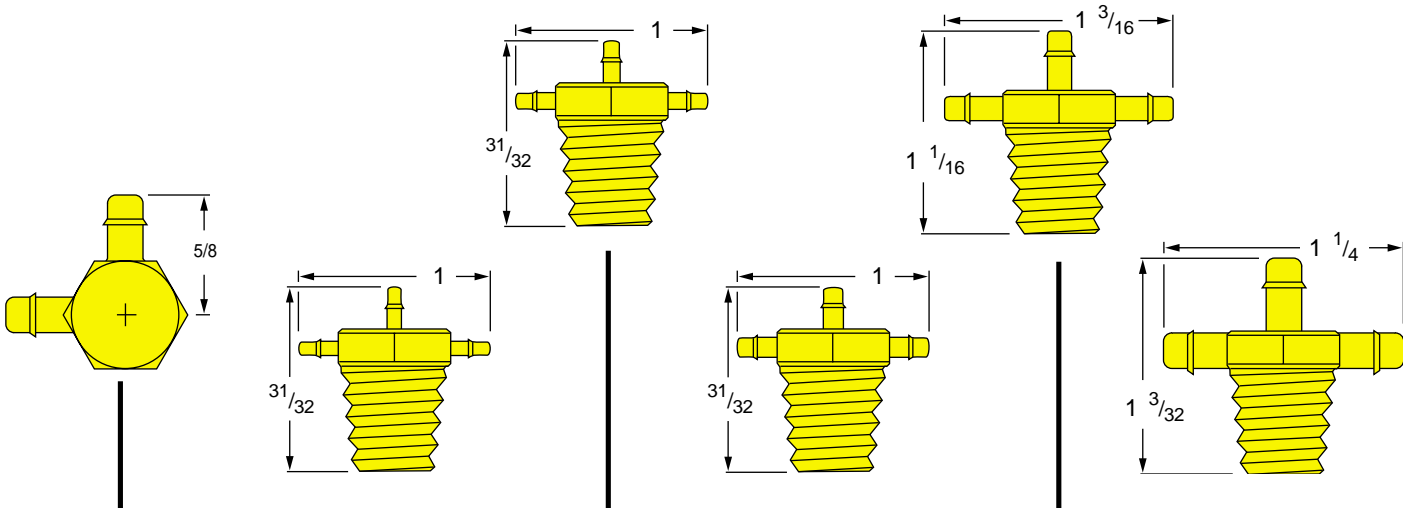


Tees: 1/4 NPT Male to Tube

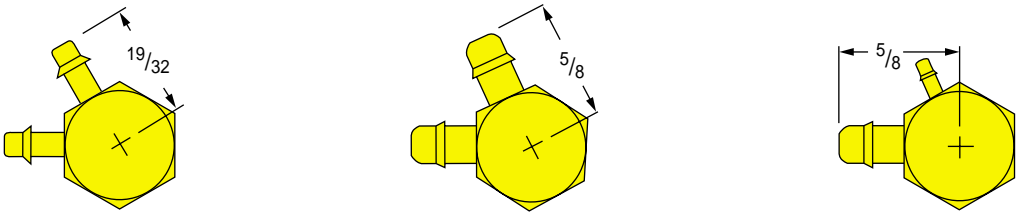
Note: Also available as Reducing Tee combinations similar to this example of part number 1/4 RT4-2

1/4 T1 1/4 T2 1/4 T2 1/2 1/4 T3 1/4 T4 1/4 RT4-2 1/4 T5 1/4 T6 1/4 T8 **48**



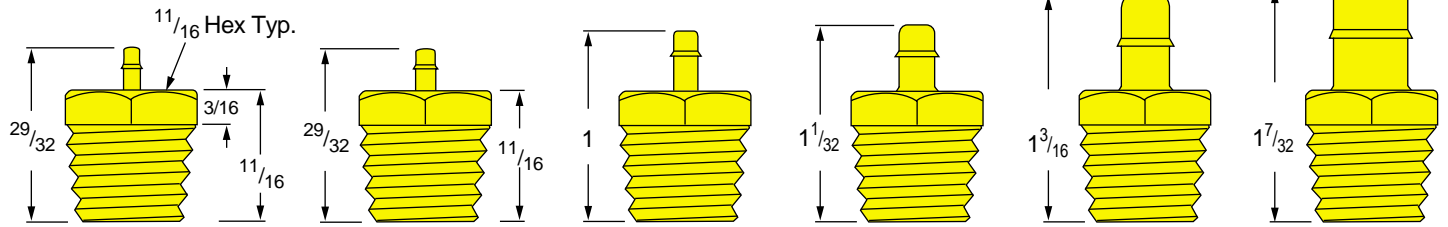
1/4 T4-90° 1/4 T1 x 3 1/4 T2 x 3 1/4 T2 1/2 x 3 1/4 T3 x 3 1/4 T4 x 3 **49**



1/4 VT3 1/4 VT4 1/4 RVT4-2 **50**

Brass Fittings Series

3/8 Male Pipe Thread to Tube



51	3/8 B2	3/8 B2 1/2	3/8 B3	3/8 B4	3/8 B6	3/8 B8
----	--------	------------	--------	--------	--------	--------

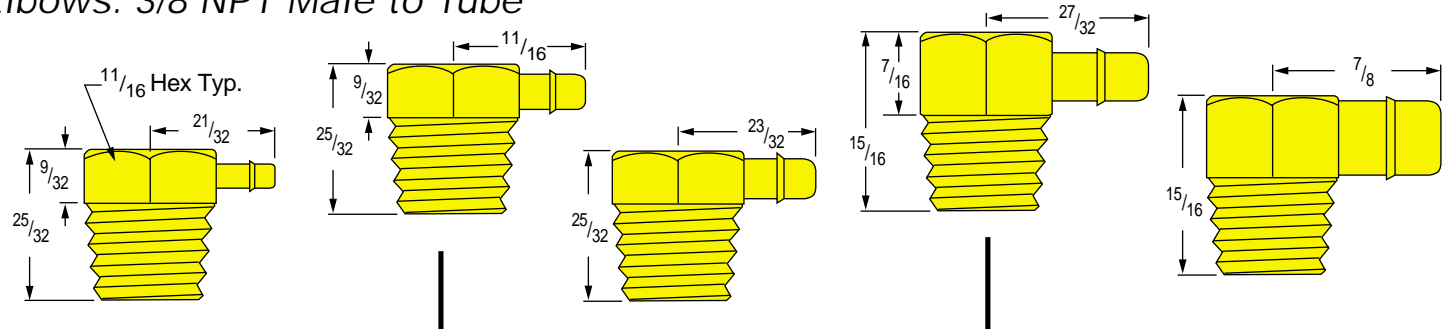
3/8 Male Pipe Straight Manifolds

#1 Barb P/N	#2 Barb P/N	#2 1/2 Barb P/N	#3 Barb P/N	#4 Barb P/N	#5 Barb P/N
• 3/8B1 x 2	• 3/8 B2 x 2	• 3/8 B2 1/2 x 2	• 3/8 B3 x 2	• 3/8 B4 x 2	• 3/8 B5 x 2
• 3/8B1 x 3	• 3/8 B2 x 3	• 3/8 B2 1/2 x 3	• 3/8 B3 x 3	• 3/8 B4 x 3	• 3/8 B5 x 3
• 3/8B1 x 4	• 3/8 B2 x 4	• 3/8 B2 1/2 x 4	• 3/8 B3 x 4	• 3/8 B4 x 4	• 3/8 B5 x 4
• 3/8B1 x 5	• 3/8 B2 x 5	• 3/8 B2 1/2 x 5	• 3/8 B3 x 5	• 3/8 B4 x 5	
• 3/8B1 x 6	• 3/8 B2 x 6	• 3/8 B2 1/2 x 6	• 3/8 B3 x 6		
• 3/8B1 x 7	• 3/8 B2 x 7	• 3/8 B2 1/2 x 7			

Part Numbering Example

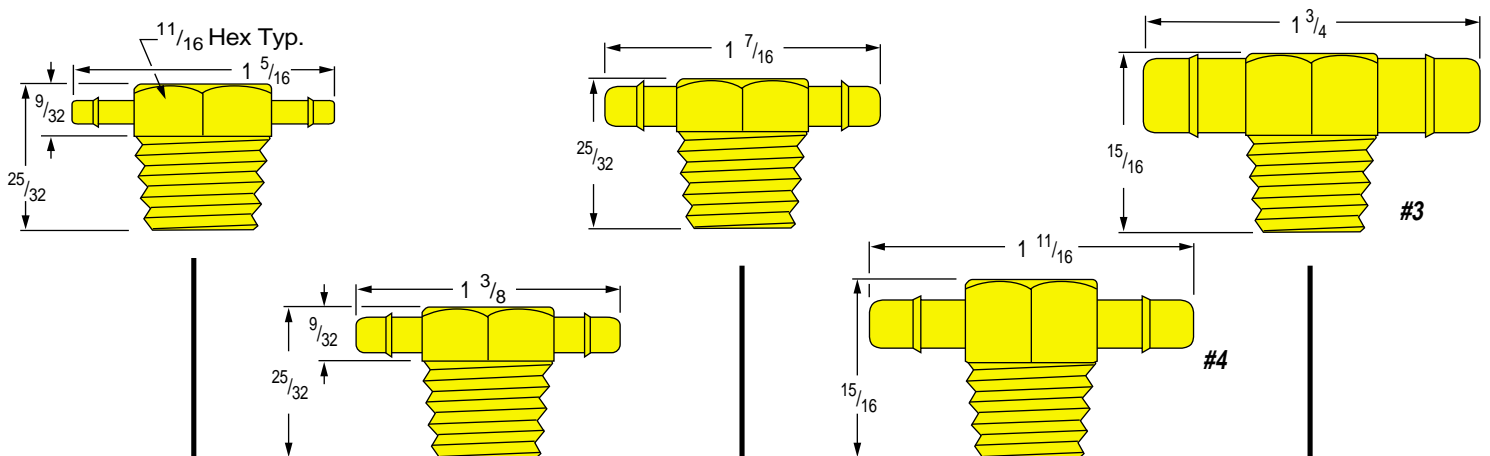
52	Available with #1, #2, #2 1/2, #3, #4, and #5 barbs as listed in the part numbers above
----	---

Elbows: 3/8 NPT Male to Tube



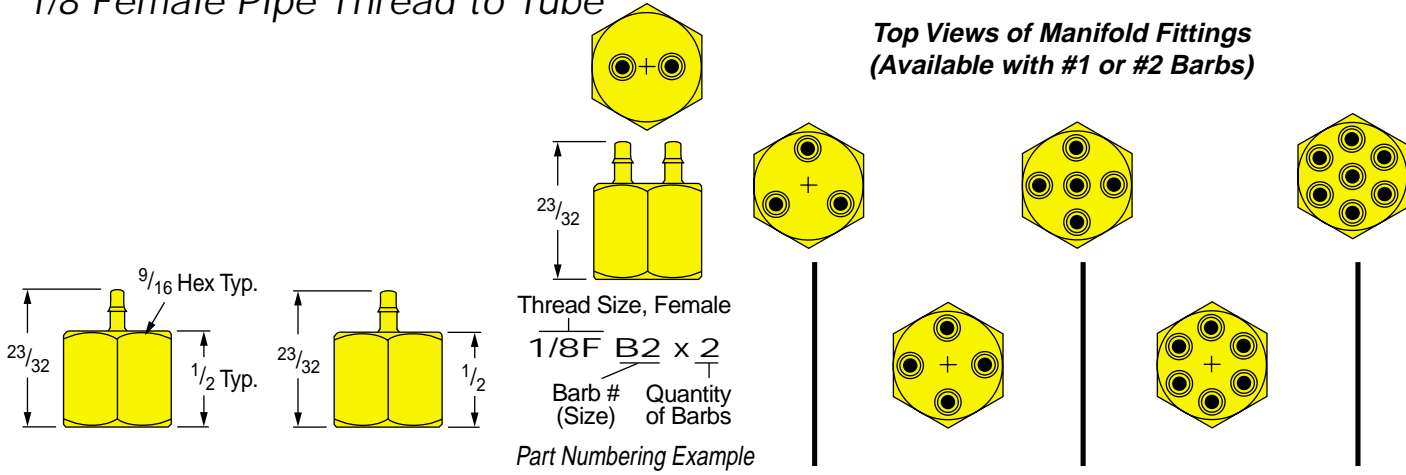
53	3/8 LB3	3/8 LB4	3/8 LB5	3/8 LB6	3/8 LB8
----	---------	---------	---------	---------	---------

Tees: 3/8 NPT Male to Tube

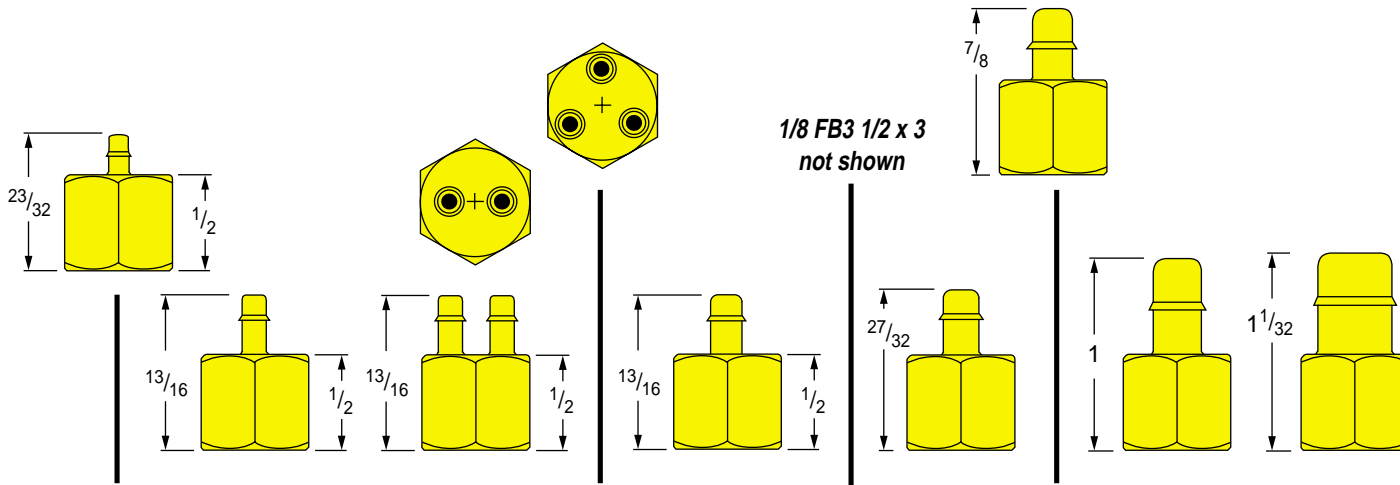


54	3/8 T3	3/8 T4	3/8 T5	3/8 T6	3/8 T8
----	--------	--------	--------	--------	--------

1/8 Female Pipe Thread to Tube

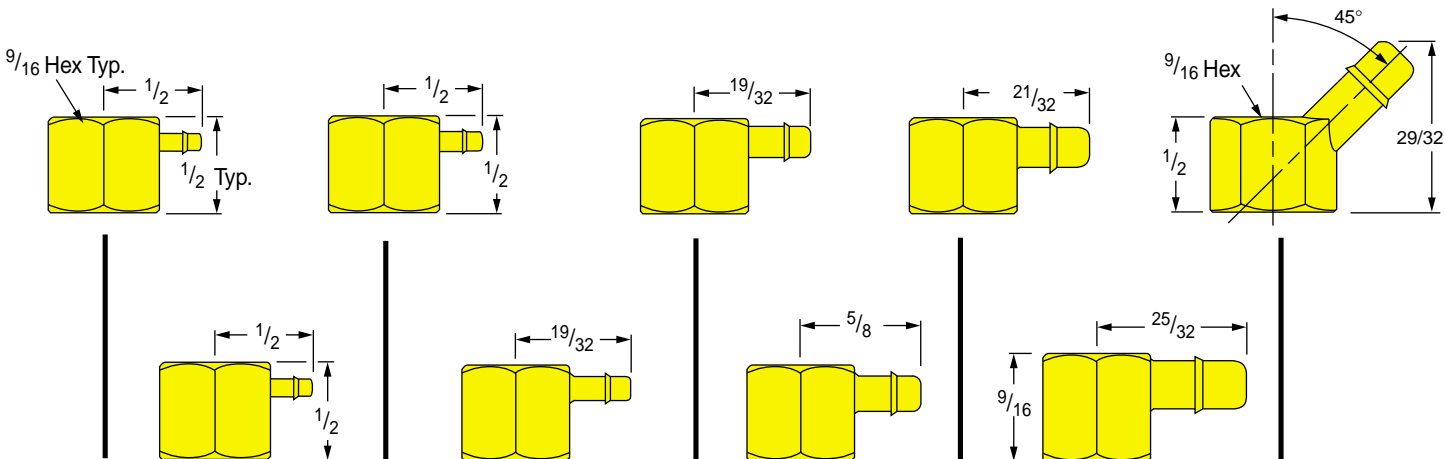


1/8 FB1	1/8 FB2	1/8 FB1 x 2	1/8 FB1 x 3	1/8 FB1 x 4	1/8 FB1 x 5	1/8 FB1 x 6	1/8 FB1 x 7
		1/8 FB2 x 2	1/8 FB2 x 3	1/8 FB2 x 4	1/8 FB2 x 5	1/8 FB2 x 6	1/8 FB2 x 7



1/8 FB2 1/2	1/8 FB3	1/8 FB3 x 2	1/8 FB3 x 3	1/8 FB3 1/2	1/8 FB4	1/8 FB5	1/8 FB6	1/8 FB8	56
-------------	---------	-------------	-------------	-------------	---------	---------	---------	---------	----

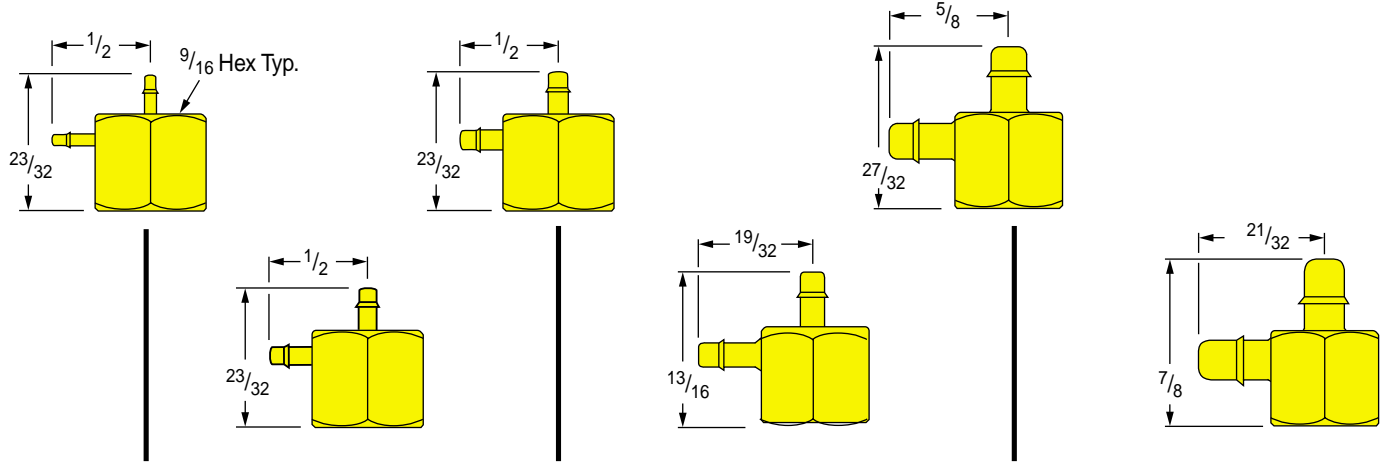
Elbows: 1/8 NPT Female to Tube



1/8 FLB1	1/8 FLB2	1/8 FLB2 1/2	1/8 FLB3	1/8 FLB3 1/2	1/8 FLB4	1/8 FLB5	1/8 FLB6	1/8 FLB6-45°	57
----------	----------	--------------	----------	--------------	----------	----------	----------	--------------	----

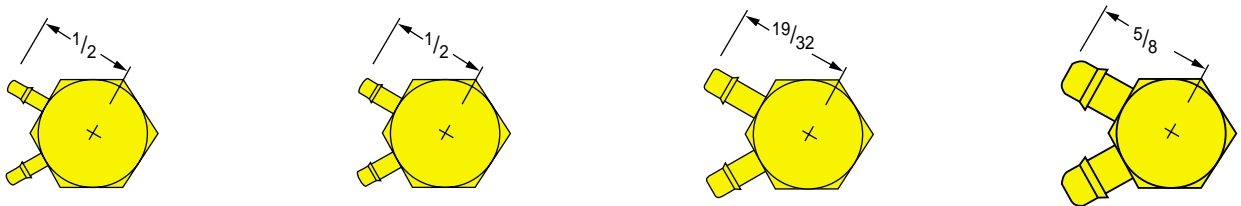
Brass Fittings Series

L-Tees: 1/8 NPT Female to Tube



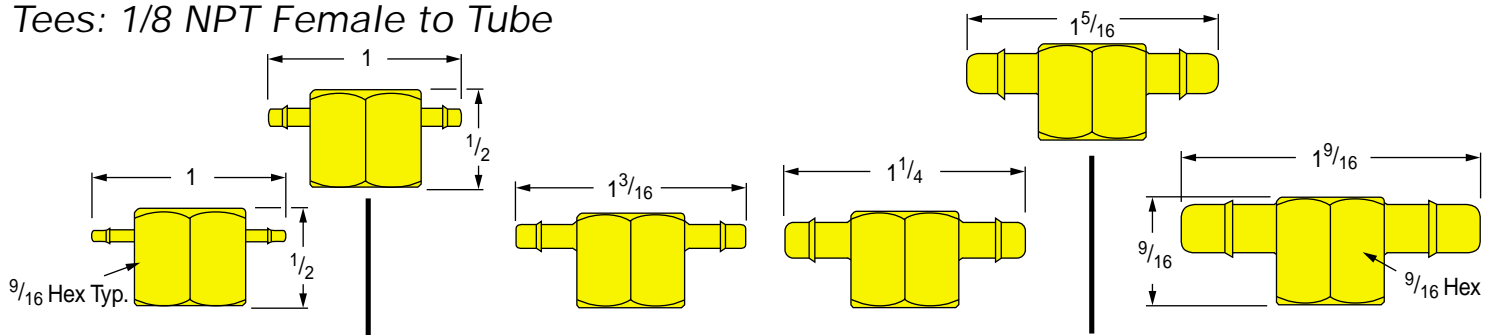
58 1/8 FLT1 1/8 FLT2 1/8 FLT2 1/2 1/8 FLT3 1/8 FLT4 1/8 FLT5

V-Tees: 1/8 NPT Female to Tube

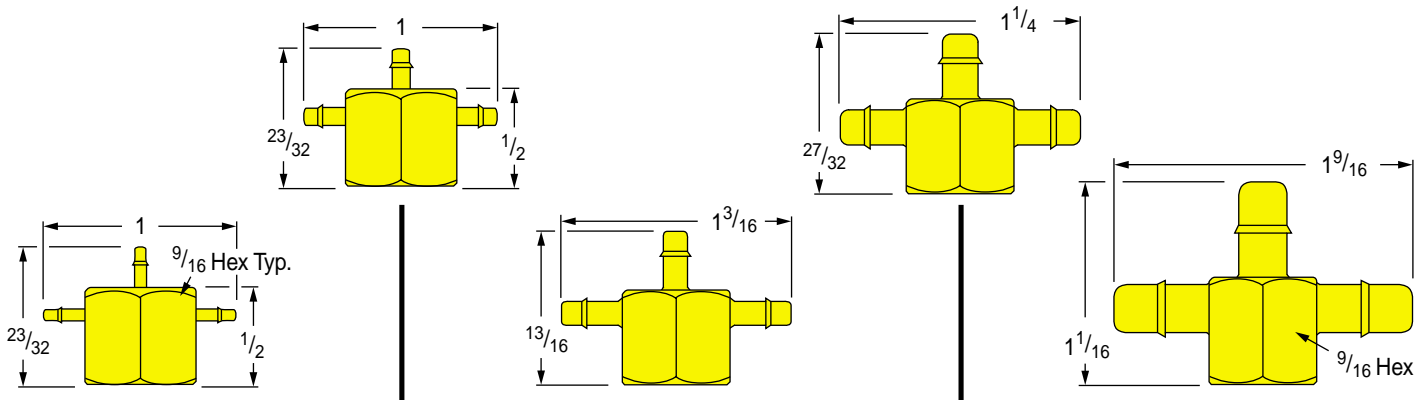


59 1/8 FVT1 1/8 FVT2 1/8 FVT3 1/8 FVT4

Tees: 1/8 NPT Female to Tube



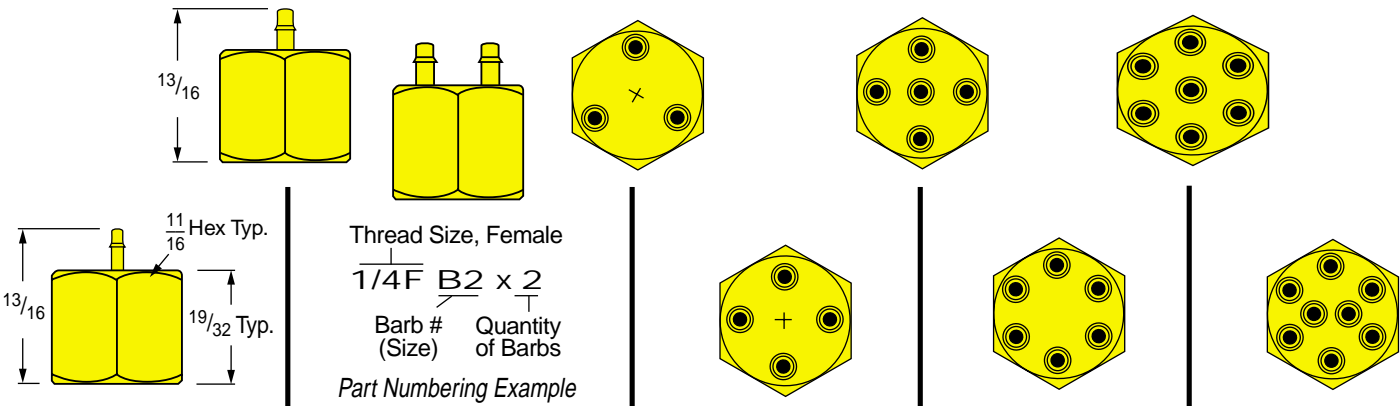
60 1/8 FT1 1/8 FT2 1/8 FT3 1/8 FT4 1/8 FT5 1/8 FT6



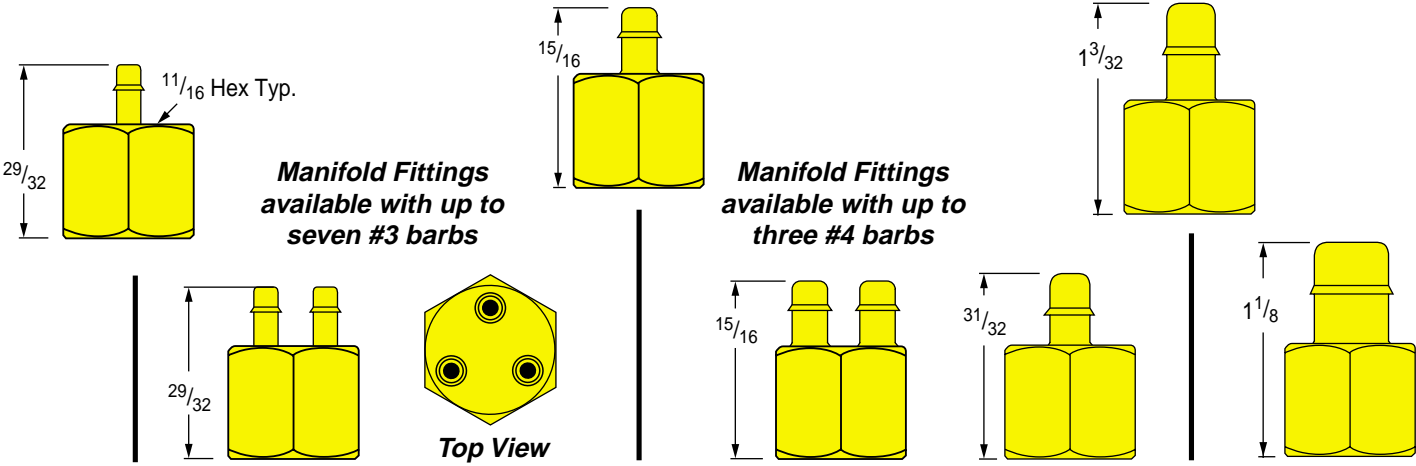
61 1/8 FT1 x 3 1/8 FT2 x 3 1/8 FT3 x 3 1/8 FT4 x 3 1/8 FT6 x 3

1/4 Female Pipe Thread to Tube

Manifold Fittings Top Views (Available with up to eight #1 or #2 Barbs)

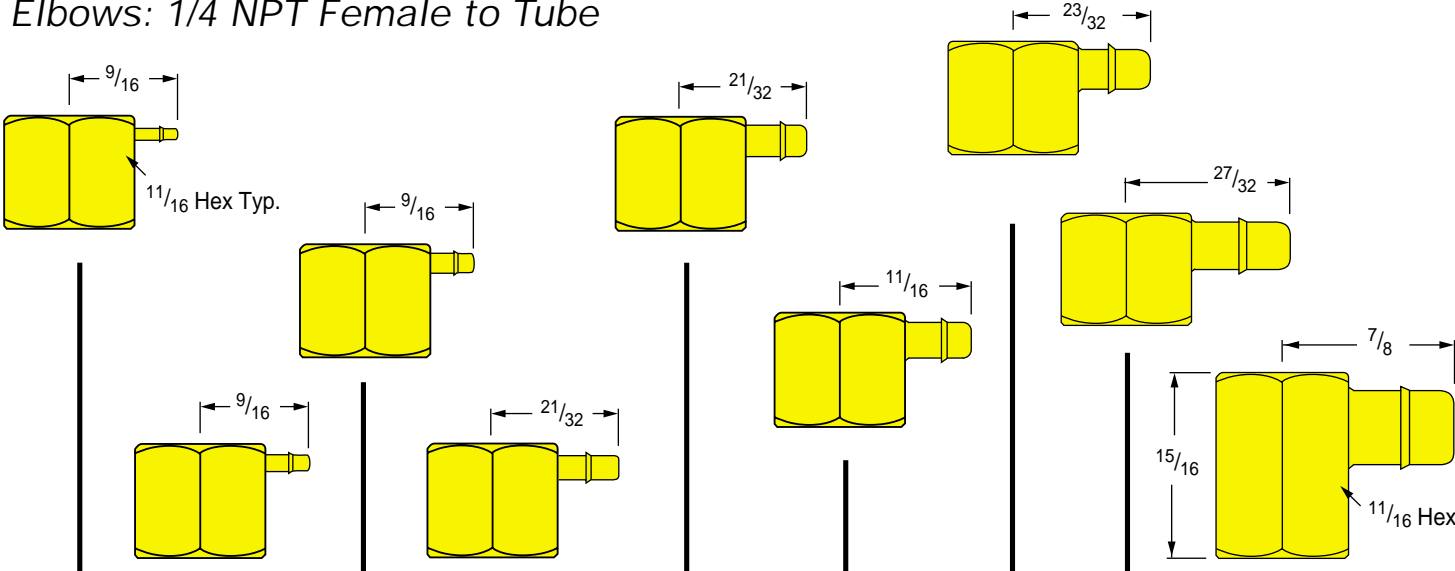


- | | | | | | | | | | |
|---------|---------|-------------|-------------|-------------|-------------|-------------|-------------|-------------|----|
| 1/4 FB1 | 1/4 FB2 | 1/4 FB2 x 2 | 1/4 FB2 x 3 | 1/4 FB2 x 4 | 1/4 FB2 x 5 | 1/4 FB2 x 6 | 1/4 FB2 x 7 | 1/4 FB2 x 8 | 62 |
|---------|---------|-------------|-------------|-------------|-------------|-------------|-------------|-------------|----|



- | | | | | | | | | |
|---------|-------------|-------------|---------|-------------|---------|---------|---------|----|
| 1/4 FB3 | 1/4 FB3 x 2 | 1/4 FB3 x 3 | 1/4 FB4 | 1/4 FB4 x 2 | 1/4 FB5 | 1/4 FB6 | 1/4 FB8 | 63 |
|---------|-------------|-------------|---------|-------------|---------|---------|---------|----|

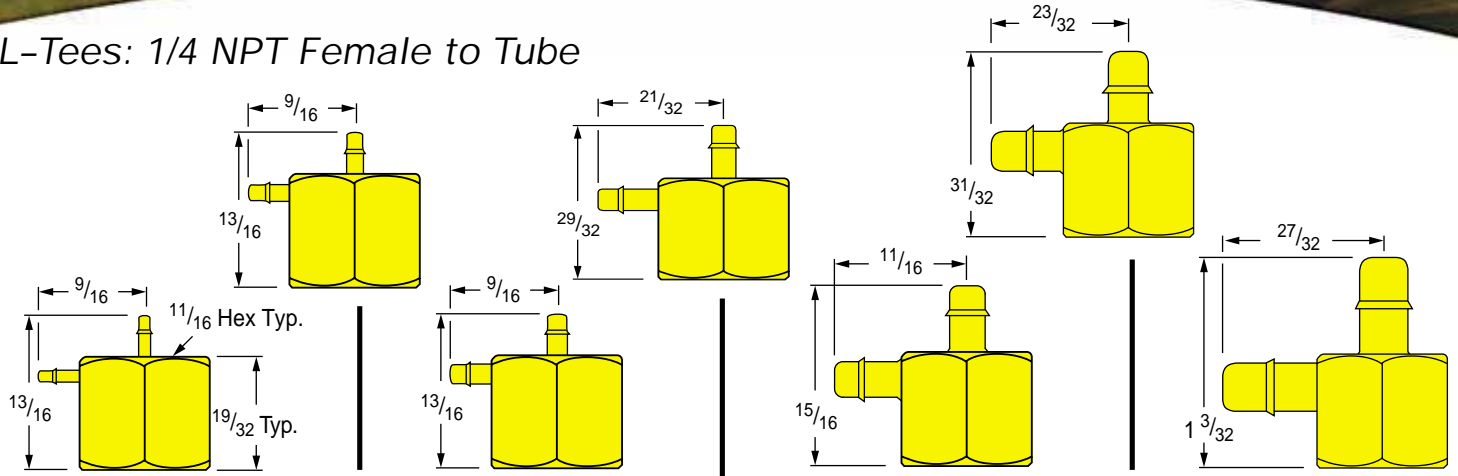
Elbows: 1/4 NPT Female to Tube



- | | | | | | | | | | |
|----------|----------|--------------|----------|--------------|----------|----------|----------|----------|----|
| 1/4 FLB1 | 1/4 FLB2 | 1/4 FLB2 1/2 | 1/4 FLB3 | 1/4 FLB3 1/2 | 1/4 FLB4 | 1/4 FLB5 | 1/4 FLB6 | 1/4 FLB8 | 64 |
|----------|----------|--------------|----------|--------------|----------|----------|----------|----------|----|

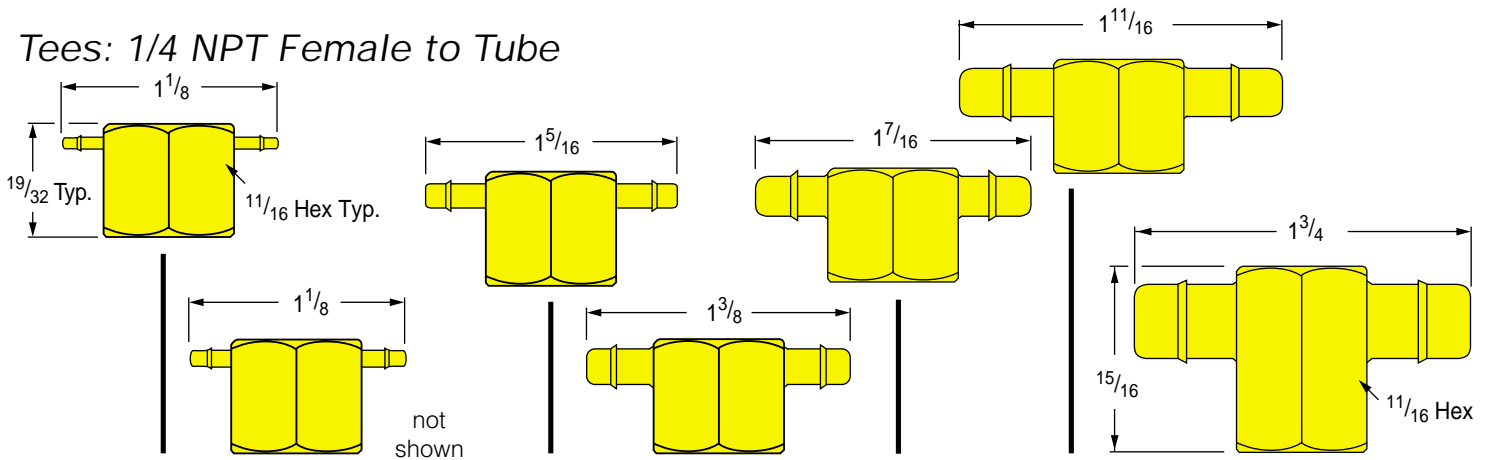
Brass Fittings Series

L-Tees: 1/4 NPT Female to Tube

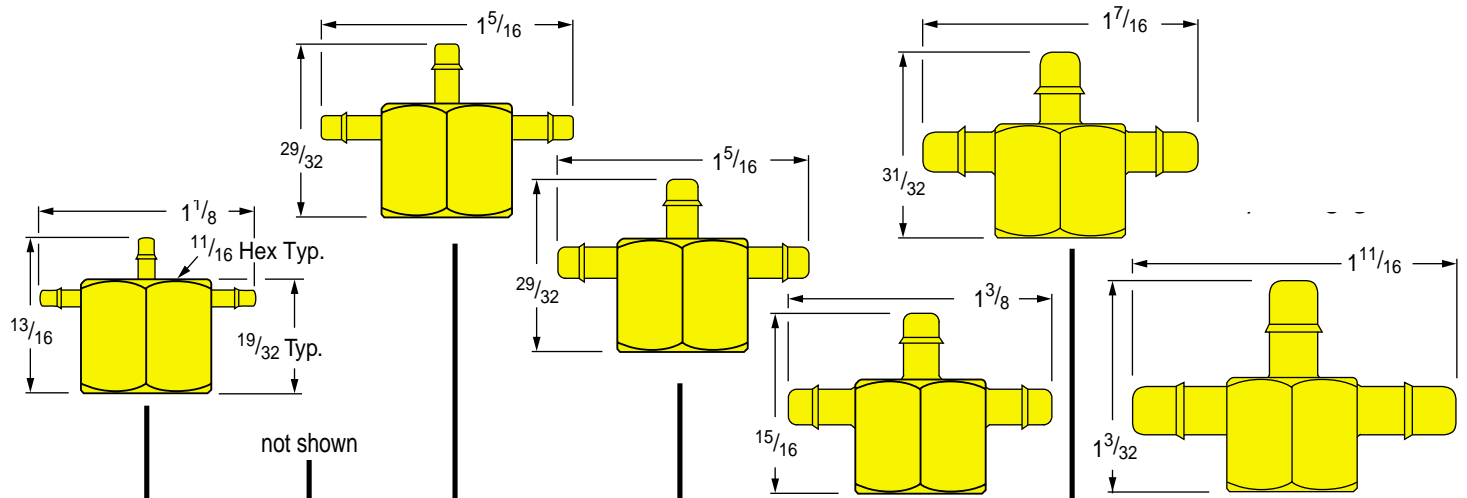


65 1/4 FLT1 1/4 FLT2 1/4 FLT2 1/2 1/4 FLT3 1/4 FLT4 1/4 FLT5 1/4 FLT6

Tees: 1/4 NPT Female to Tube

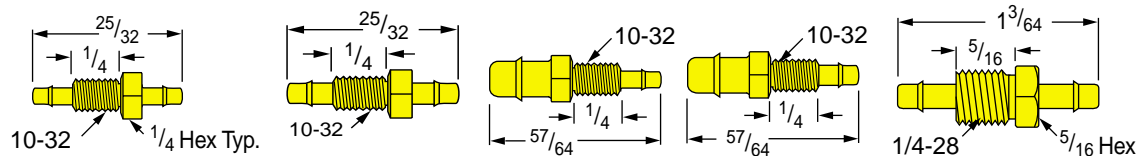


66 1/4 FT1 1/4 FT2 1/4 FT2 1/2 1/4 FT3 1/4 FT4 1/4 FT5 1/4 FT6 1/4 FT8



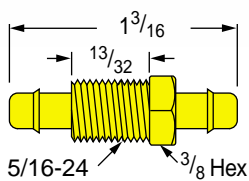
67 1/4 FT2 x 3 1/4 FT2 1/2 x 3 1/4 FT3 x 3 1/4 FT3 1/2 x 3 1/4 FT4 x 3 1/4 FT5 x 3 1/4 FT6 x 3

Bulkhead Fittings

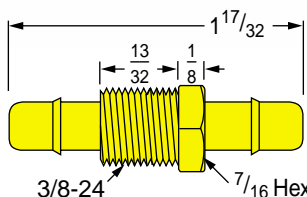


68 10 BK-1 or 10BK-2 10 BK-2 1/2 10 RBK4-2 10 RBK4-2 1/2 1/4 BK-3

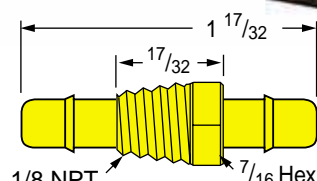
Bulkhead Fittings



5/16 BK-4



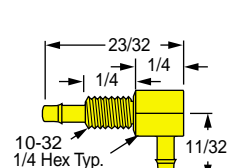
3/8 BK-6



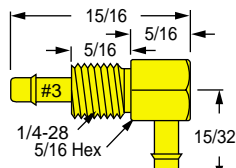
1/8 NPT BK6

69

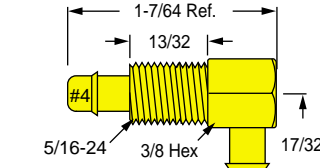
L-Bulkhead Fittings *Note: Also available in Tee and Vee combinations*



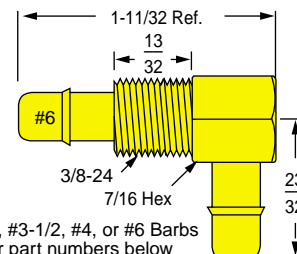
#1, #2, or #2-1/2 Barbs per part numbers below



#3, #3-1/2, or #4 Barbs per part numbers below



#3, #3-1/2, or #4 Barbs per part numbers below



#3, #3-1/2, #4, or #6 Barbs per part numbers below

10BK1-L1
10BK2-L2
10BK2 $\frac{1}{2}$ -L2 $\frac{1}{2}$

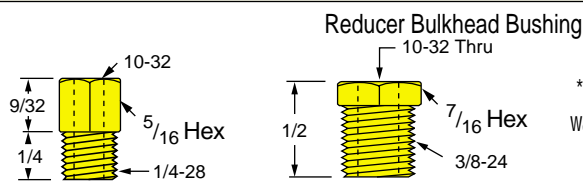
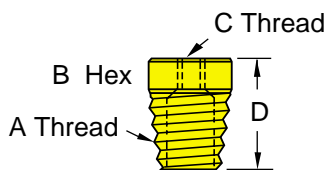
1/4 BK3-L3
1/4 RBK3-L3 $\frac{1}{2}$
1/4 RBK3-L4

5/16 BK4-L4
5/16 RBK4-L3 $\frac{1}{2}$
5/16 RBK4-L3

3/8 BK6-L6
3/8 RBK6-L4
3/8 RBK6-L3 $\frac{1}{2}$
3/8 RBK6-L3

70

Reducing Bushings



* Lock nut and washer included

RB 4-28-10

* RBB 3/8-10

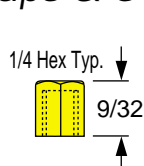
71

Reducer Bushing Dimensions

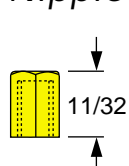
A Thread	1/4 NPT	1/4 NPT	1/4 NPT	1/4 NPT	1/4 NPT	1/4 NPT	1/8 NPT	1/8 NPT	1/16 NPT	1/4-28	3/8-24
B Hex	9/16	9/16	9/16	9/16	9/16	9/16	7/16	7/16	5/16	5/16	7/16
C Thread	10-32	10-32	1/16 NPT	1/8 NPT	1/16 NPT	1/8 NPT	10-32	1/16 NPT	10-32	10-32	10-32
D Height	3/4	1/2	1/2	1/2	3/4	3/4	9/16	9/16	17/32	17/32	1/2
Part #	RB 1/4-10	RB 1/4-10 Short	RB 1/4-1/16 Short	RB 1/4-1/8 short	RB 1/4-1/16	RB 1/4-1/8	RB 1/8-10	RB 1/8-1/16	RB 1/16-10	RB 428-10	RBB3/8-10

72

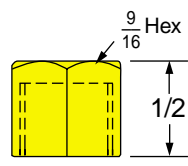
Caps & Swivel Nipple



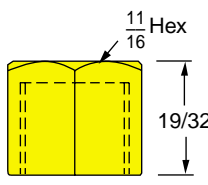
10-32 Cap (Short)



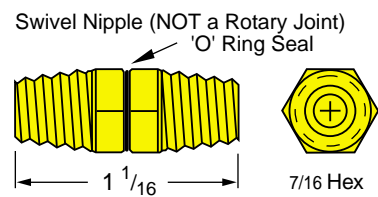
#10-32 Cap



1/8 Cap



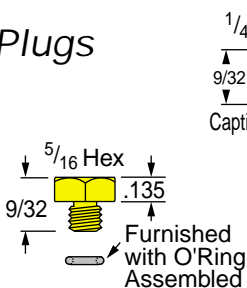
1/4 Cap



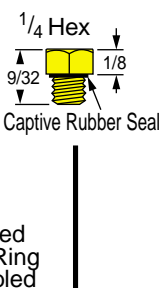
1/8 SN

73

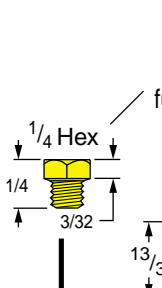
Plugs



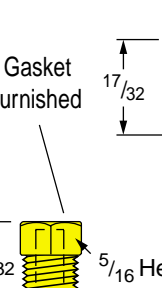
10-0 Plug



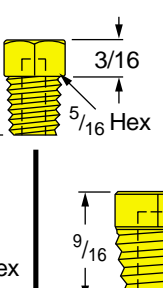
10-0-1/4 Plug



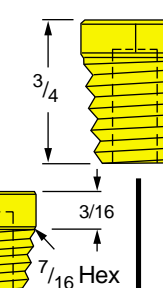
10-32 Plug



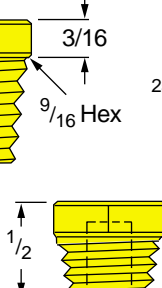
4-28 Plug



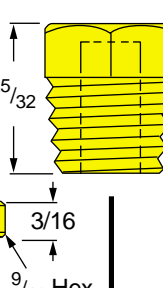
1/16 Plug



1/8 Plug



1/4 Plug



1/4 Plug (Short)



3/8 Plug

74

1/8 Male Pipe Thread Manifold Fittings

Branches can be arranged in various attitudes in thousands of combinations to accommodate specific requirements.

Poweraire's line of Unitized Manifold Fittings is directed primarily at the high volume user who must have a low cost, compact, zero leak potential, neat appearing fitting that requires a minimum amount of labor to install and can be customized to his specific requirements.

For smaller volume users Poweraire does carry a limited number of manifold fittings as stock items shown below.

Manifold Fitting Nomenclature

- 1/8 M** = 1/8 Male NPT one end & branch outlets as required
- 1/8MM** = 1/8 Male NPT and mixed branches
- 1/8MV** = 1/8 Male NPT and 2nd row at 60° either L or R
- 1/8MMV** = 1/8 Male NPT w/mixed branches at 60° either L or R
- 1/8MT** = 1/8 Male NPT with branches at 180°
- 1/8MMT** = 1/8 Male NPT w/mixed branches at 180°
- 1/8MB** = 1/8 Male NPT Manifold blank
(wall thickness suitable for 10-32 thread)

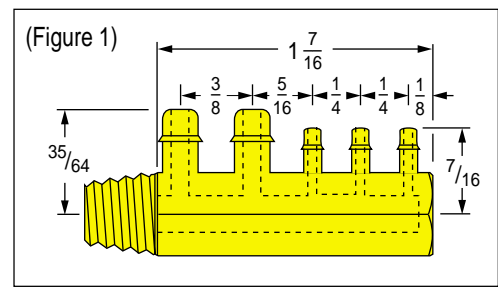
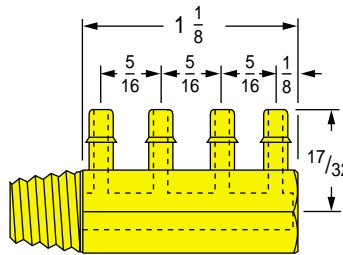
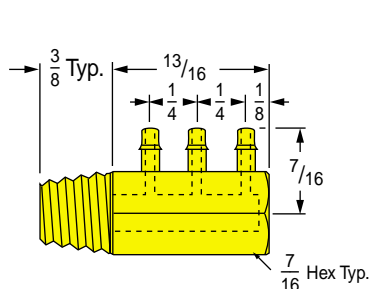
Tell us what you need

Branch sizes are called out in order starting at the threaded end. **1/8MM-44222** (Figure 1) signifies a mixed manifold 1/8 NPT fitting with two #4 branches and three #2 branches in-line.

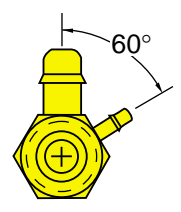
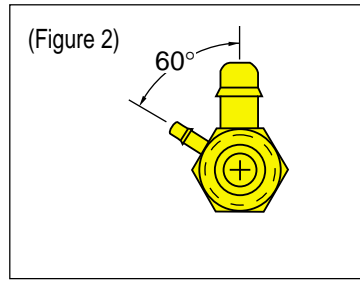
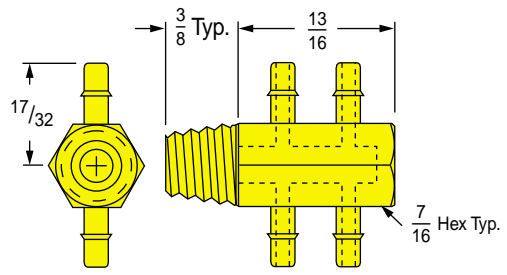
1/8MM-42422 signifies a similar manifold on which the 2nd and 3rd branches have exchanged positions.

In the case of "V" arrangements, the side having the largest branches is considered to be the vertical side (at 12 o'clock); the other side is either to the right or left of vertical as viewed from the threaded end of the fitting.

1/8MMV-44-22L (Figure 2) signifies a "V" type 1/8 NPT manifold fitting with two #4 branches and two #2 branches on each row with the second row to the right as viewed from the threaded end.

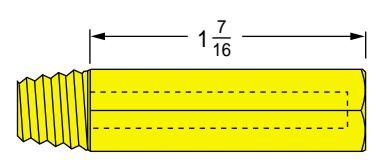
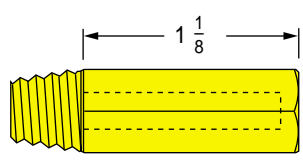
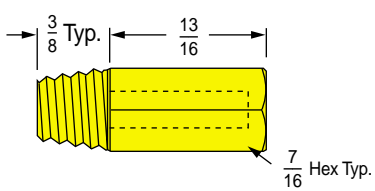


75 1/8 M-111 or 1/8 M-222 1/8 M-3333 1/8 MM-44222



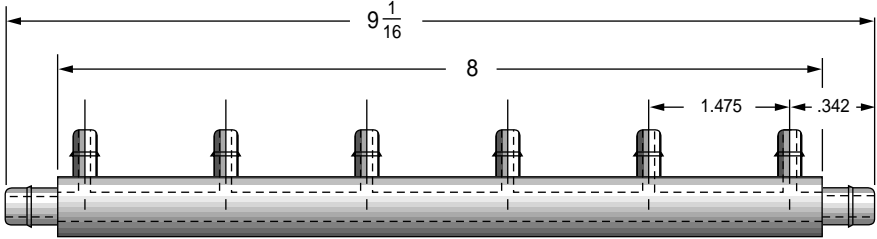
76 1/8 MT-33-33 1/8 MMV-44-22L 1/8 MMV-444-222R

1/8 Male Pipe Thread Manifold Blanks - will accommodate 10-32 thread



77 1/8 MB 13/16 1/8 MB 1-1/8 1/8 MB 1-7/16

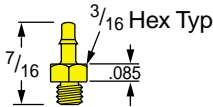
Tube to Tube Manifold - Stainless Steel (Also available in brass)



5/8 x 5/32 wall – 304 Stainless Steel Tubing (Scale 2:1)

Manifold 8-6x6-8 (also available in brass) 78

M3 x 0.5 Series Fibre Gasket Supplied



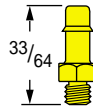
M3-B1



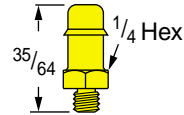
M3-B2



M3-B2 1/2

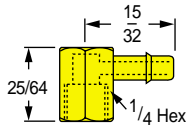


M3-B3

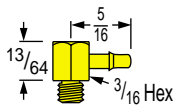


M3-B4

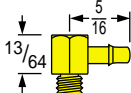
79



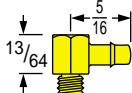
M3F-LB3



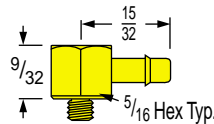
M3-LB1



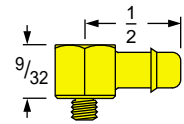
M3-LB2



M3-LB2 1/2

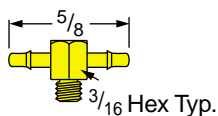


M3-LB3

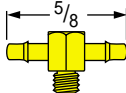


M3-LB4

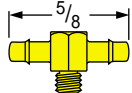
80



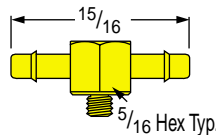
M3-T1



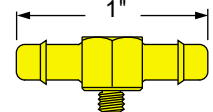
M3-T2



M3-T2 1/2



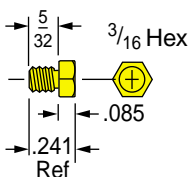
M3-T3



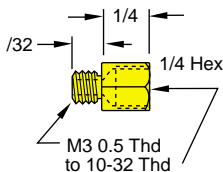
M3-T4

81

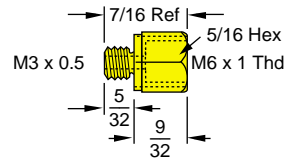
See complete selection of adapters on pages 23 & 24



M3 Plain Plug



M3 x 0.5 to 10-32 (F) Adapter

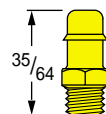
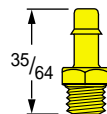
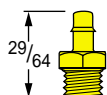
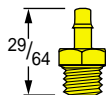
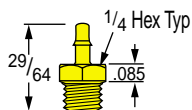


M3 x 0.5 to M6 x 1 (F) Adapter

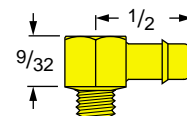
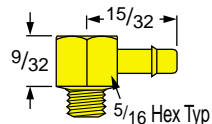
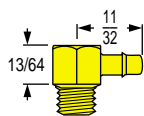
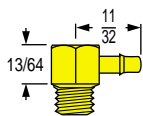
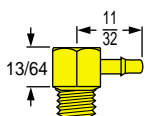
82

Brass Fittings Series

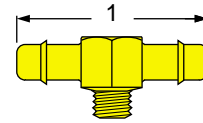
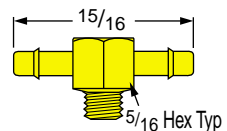
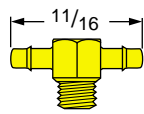
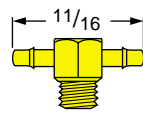
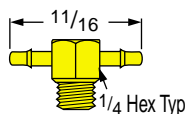
M5 x 0.8 Series Fibre Gasket Supplied



83	M5-B1	M5-B2	M5-B2 1/2	M5-B3	M5-B4
----	-------	-------	-----------	-------	-------

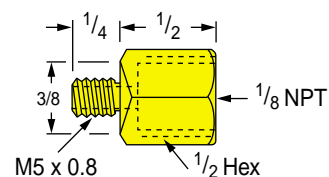
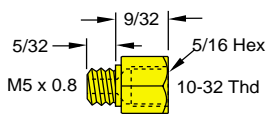
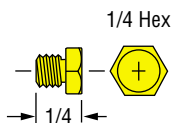


84	M5-LB1	M5-LB2	M5-LB2 1/2	M5-LB3	M5-LB4
----	--------	--------	------------	--------	--------



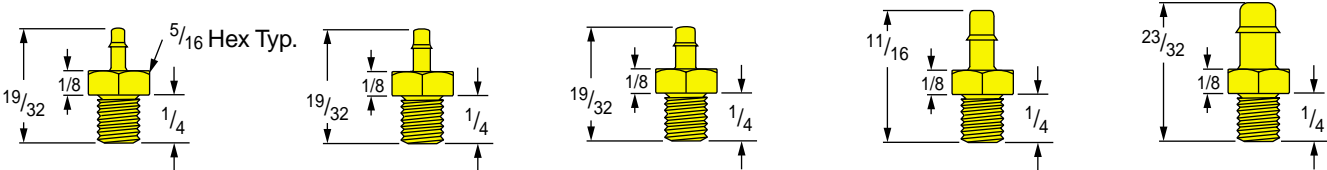
85	M5-T1	M5-T2	M5-T2 1/2	M5-T3	M5-T4
----	-------	-------	-----------	-------	-------

See complete selection of adapters on pages 23 & 24

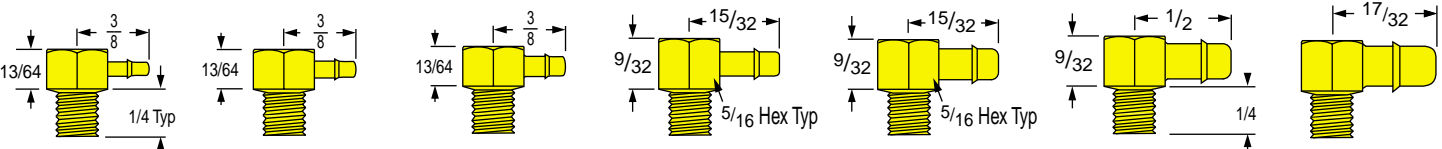


86	M5 Plain Plug	M5 x 0.8 to 10-32 (F) Adapter	M5 x 0.8 to 1/8 (F) Adapter
----	---------------	-------------------------------	-----------------------------

M6 x 1 Series

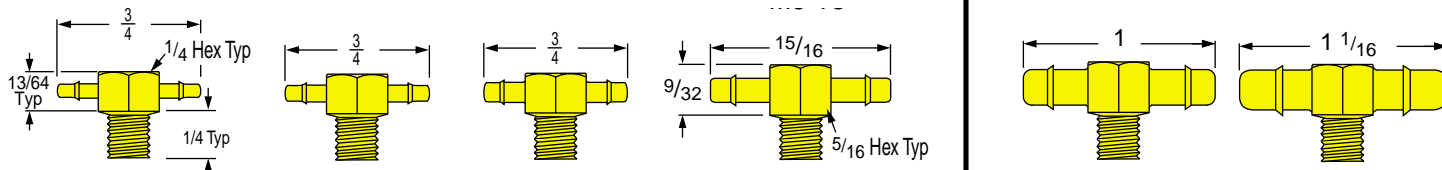


M6-B1	M6-B2	M6-B2 1/2	M6-B3	M6-B4	87
-------	-------	-----------	-------	-------	----



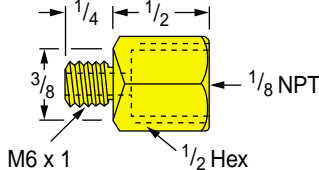
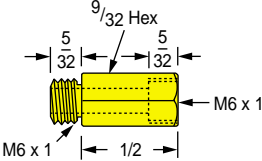
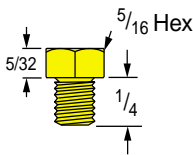
M6-LB1	M6-LB2	M6-LB2 1/2	M6-LB3	M6-LB3 1/2	M6-LB4	M6-LB5	88
--------	--------	------------	--------	------------	--------	--------	----

not shown



M6-T1	M6-T2	M6-T2 1/2	M6-T3	M6-T3 1/2	M6-T4	M6-T5	89
-------	-------	-----------	-------	-----------	-------	-------	----

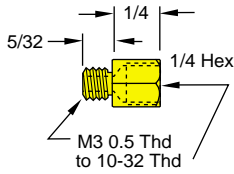
See complete selection of adapters on pages 23 & 24



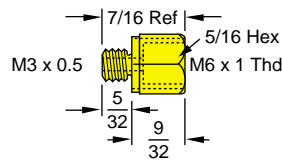
M6 Plain Plug	M6 x 1 Male to Female Extension	M6 x 1 to 1/8 (F) Adapter	90
---------------	---------------------------------	---------------------------	----

Brass Fittings Series

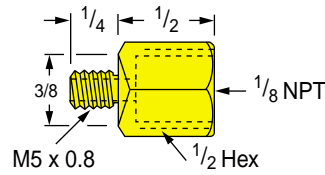
Adapters



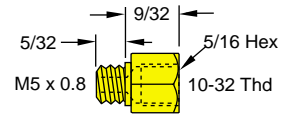
91 M3 to 10-32 (F)



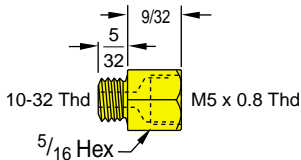
M3 to M6 (F)



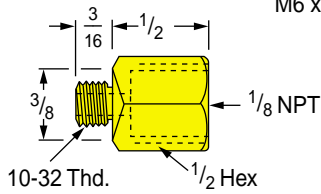
M5 to 1/8 (F)



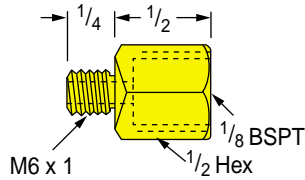
M5 to 10-32 (F)



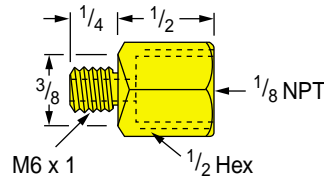
92 10-32 to M5 (F)



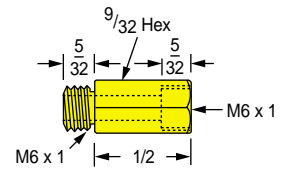
10-32 to 1/8 (F)



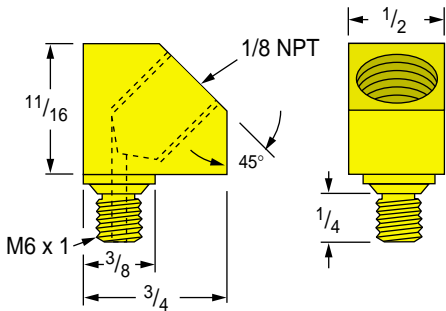
M6 to 1/8 BSPT (F)



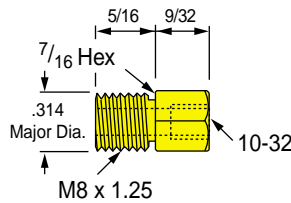
M6 to 1/8 (F)



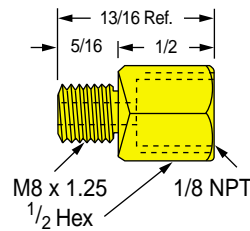
EX-M6 (M-F)



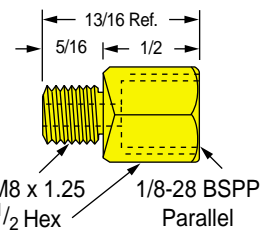
93 M6 to 1/8 (F) 45°



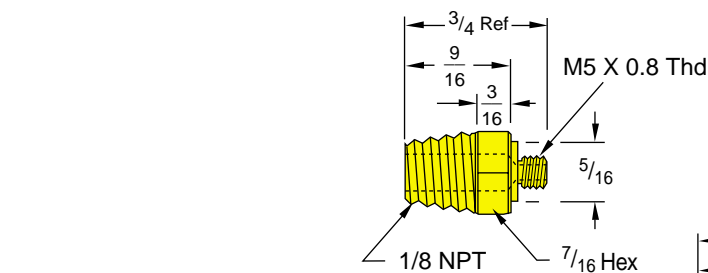
M8 to 10-32 (F)



M8 to 1/8 (F)



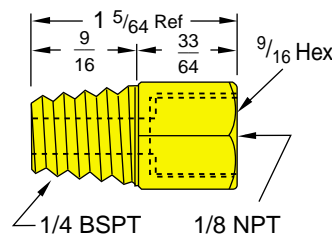
M8 to 1/8-28 BSPP (F)



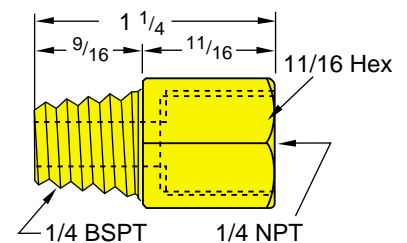
94 AN 1/8 to 10-32



AN 1/8 to M5



1/4 BSPT to 1/8 (F)

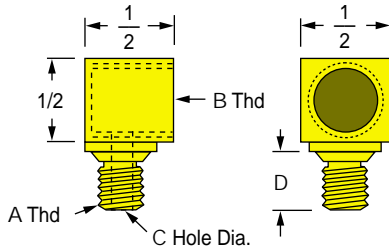


1/4 BSPT to 1/4 (F)

Stainless Steel Fittings Reference

A few of the following part numbers are not stocked and may have a set-up charge in small quantities. Page numbers and line numbers reference location of product drawings elsewhere in this catalog.

90° L Adapters - Male to Female



Part No.	A Thd	B Thd	C Dia	D	Line No.
M8 to 1/8FL	M8x1.25	1/8 NPT			95
M8 to M8FL	M8x1.25	M8x1.25			96
M8 to M6FL	M8x1.25	M6x1			97
M8 to M5FL	M8x1.25	M5x0.8	5/32	5/16	98
M8 to M3FL	M8x1.25	M3x0.5			99
M8 to 1/4-28FL	M8x1.25	1/4-28			100
M8 to 10-32FL	M8x1.25	10-32			101
M6 to 1/8FL	M6x1	1/8 NPT			102
M6 to M8FL	M6x1	M8x1.25			103
M6 to M6FL	M6x1	M6x1			104
M6 to M5FL	M6x1	M5x0.8	5/64	1/4	105
M6 to M3FL	M6x1	M3x0.5			106
M6 to 1/4-28FL	M6x1	1/4-28			107
M6 to 10-32FL	M6x1	10-32			108
M5 to 1/8FL	M5x0.8	1/8 NPT			109
M5 to M8FL	M5x0.8	M8x1.25			110
M5 to M6FL	M5x0.8	M6x1			111
M5 to M5FL	M5x0.8	M5x0.8	.089	1/4	112
M5 to M3FL	M5x0.8	M3x0.5			113
M5 to 1/4-28FL	M5x0.8	1/4-28			114
M5 to 10-32FL	M5x0.8	10-32			115
1/8 to 1/8FL	1/8 NPT	1/8 NPT			116
1/8 to M8FL	1/8 NPT	M8x1.25			117
1/8 to M6FL	1/8 NPT	M6x1			118
1/8 to M5FL	1/8 NPT	M5x0.8	1/4	1/2	119
1/8 to M3FL	1/8 NPT	M3x0.5			120
1/8 to 1/4-28FL	1/8 NPT	1/4-28			121
1/8 to 10-32FL	1/8 NPT	10-32			122

Note:
The general dimensions in this catalog are subject to change without notice.

Stainless Steel Tube to Tube Fittings

Part No.	Page & Line No.	Part No.	Page & Line No.	Part No.	Page & Line No.
C1 S/S	P1, L1	T3 S/S	P1, L4	X2 S/S	P3, L10
C2 S/S	P1, L1	T4 S/S	P1, L4	X3 S/S	P3, L10
C3 S/S	P1, L1	T6 S/S	P1, L4	X4 S/S	P3, L10
C4 S/S	P1, L1	RT3-1-1 S/S	P2, L5	RX3-2-3-2 S/S	P4, L12
C6 S/S	P1, L1	RT3-3-1 S/S	P2, L5	RX3-1-1-1 S/S	P4, L12
RC3-1 S/S	P1, L2	RT3-1-3 S/S	P2, L5	M8-6x6-8 S/S	P20, L78
T1 S/S	P1, L4	RT1-3-1 S/S	P2, L5	Y8 S/S	P4, L14
T2 S/S	P1, L4	X1 S/S	P3, L10	3/8BK-6 S/S	P18, L69

Stainless Steel Threaded Parts

Part No.	Page & Line No.	Part No.	Page & Line No.
B1 S/S	P5, L17	1/4B6 S/S	P11, L44
B2 S/S	P5, L17	1/4B8 S/S	P11, L44
B3 S/S	P5, L17	1/4LB1 S/S	P11, L46
B3-0 S/S	P5, L15	1/4LB2 S/S	P11, L46
B3-OR.094 S/S	P5, L17	1/4LB3 S/S	P11, L46
B3 1/20B109 S/S	Not Shown	1/4LB4 S/S	P11, L46
B4 S/S	P5, L17	1/4LB6 S/S	P11, L46
1/8B1 S/S	P9, L36	1/4T2 S/S	P12, L48
1/8B1 x 2 S/S	P9, L37	1/4T3 S/S	P12, L48
1/8B1 x 3 S/S	P9, L37	1/4T2 x 3 S/S	P12, L49
1/4B1 x 4 S/S	P9, L37	1/4Plug Short S/S	P18, L74
1/8B2 S/S	P9, L36	1/4 Plug S/S	P18, L74
1/8B2 x 2 S/S	P9, L37	3/8 Plug S/S	P18, L74
1/8B2 x 4 S/S	P9, L37	1/2B8 S/S	Not Shown
1/8B3 S/S	P9, L36	1/8 Cap S/S	P18, L73
1/8B3 x 2 S/S	P9, L37	10LB1 S/S	P5, L18
1/8B3 x 3 S/S	P9, L37	10LB2 S/S	P5, L18
1/8B4 S/S	P9, L36	10LB2 EPOXY S/S	P5, L18
1/8B6 S/S	P9, L36	10LB3 S/S/10LB3 S/S	P5, L18
1/8B8 S/S	P9, L36	10LB4 S/S	P5, L18
1/8LB1 S/S	P9, L38	10T1 S/S	P5, L19
1/8LB2 S/S	P9, L38	10T2 S/S	P5, L19
1/8LB3 S/S	P9, L38	10T2 EPOXY S/S	P5, L19
1/8LB4 S/S	P9, L38	10T3 S/S	P5, L19
1/8LB6 S/S	P9, L38	10-32 Plug S/S	P18, L74
1/8T1 S/S	P10, L40	1/16B3 S/S	P8, L32
1/8T2 S/S	P10, L40	1/16B4 S/S	P8, L32
1/8T2 x 3 S/S	P10, L41	1/16LB1 S/S	P8, L33
1/8VT2 ¹ / ₂ -120° S/S	P10, L42	1/16LB2 S/S	P8, L33
1/8T3 S/S	P10, L40	1/16LB3 S/S	P8, L33
1/8T3 x 3 S/S	P10, L41	1/16LB4 S/S	P8, L33
1/8T4 S/S	P10, L40	1/16T2 S/S	P8, L35
1/8T6 S/S	P10, L40	1/16T3 S/S	P8, L35
1/8LT2 S/S	P9, L39	1/16 Plug S/S	P18, L74
1/8LT3 S/S	P9, L39	1/16 Slotted Plug S/S	Not Shown
1/8 Plug S/S	P18, L74	RB1/4-10 S/S	P18, L72
1/4B1 S/S	P11, L44	RB1/4-1/16 S/S	P18, L72
1/4B2 S/S	P11, L44	RB1/4-1/8 S/S	P18, L72
1/4B2 x 2 S/S	P11, L45	RB1/16-10 S/S	P18, L72
1/4B3 S/S	P11, L44	RB1/8-10 S/S	P18, L72
1/4B4 S/S	P11, L44		