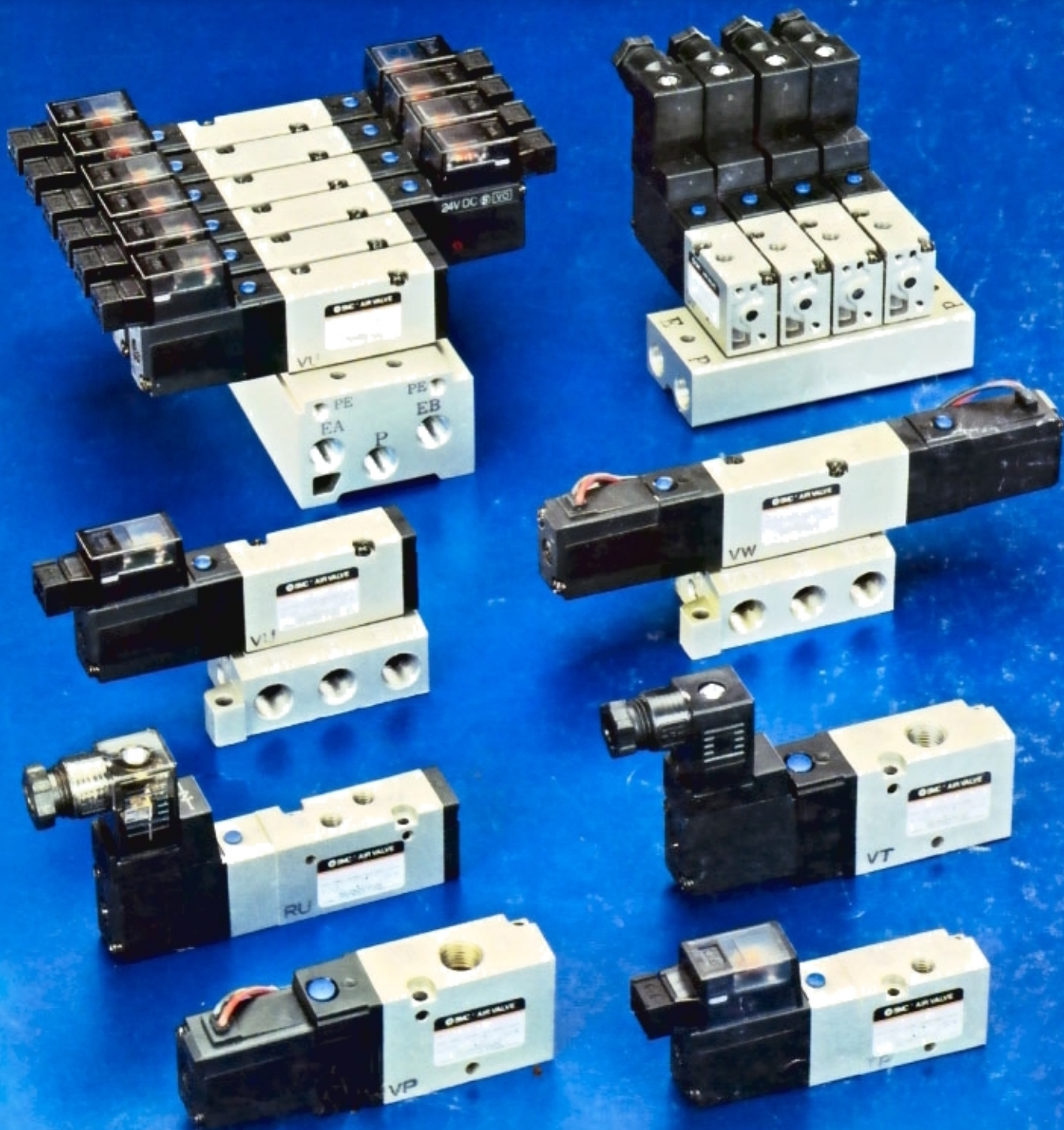
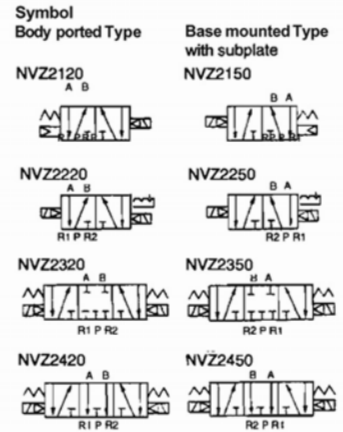
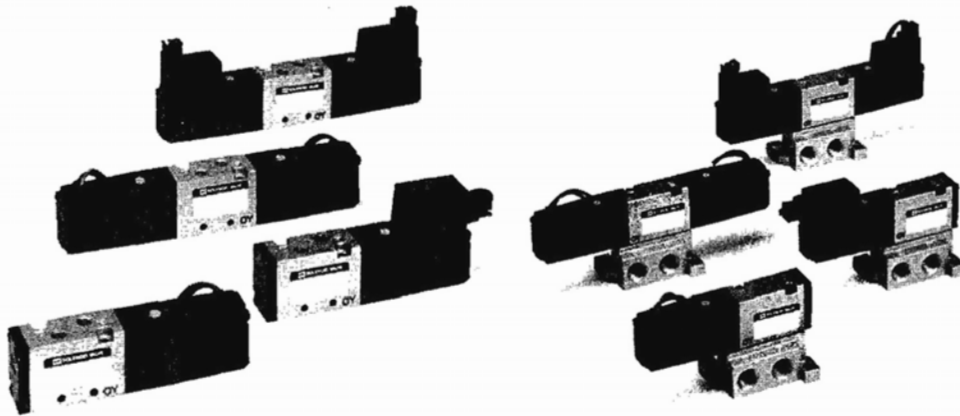




NVZ 2000

3-5 Port Solenoid Valves/
Metal Seal Type





Model

Body type	Type of actuation	Model	Cv factor	Port size	Weight lbs(gf)	
Body Ported Type	2 position	Single	NVZ2120-●●-M5	0.16	10-32Nom.(M5)	0.21 (95)
		Double	NVZ2220-●●-M5	0.16		0.33 (150)
	3 position	Closed center	NVZ2320-●●-M5	0.14		0.40 (180)
		Exhaust center	NVZ2420-●●-M5	0.14		0.40 (180)
Base Mounted Type with subplate	2 position	Single	NVZ2150-●●-01T	0.3	1/8NPTF	0.31 (140)
		Double	NVZ2250-●●-01T	0.3		0.44 (200)
	3 position	Closed center	NVZ2350-●●-01T	0.25		0.51 (230)
		Exhaust center	NVZ2450-●●-01T	0.25		0.51 (230)

Specifications

Fluid	Air and inert gases
Operating pressure range	15~140PSI (1~9.9kgf/cm ²)
Ambient and fluid temperature	Max.120° F(50° C)
Response time	2 position : 17ms or less; 3 position 22ms or less (70PSI)
Max. operating frequency	2 position : 20 c/s; 3 position : 10 c/s
Manual override (pilot)	Non-locking push type, Slotted locking type.
Lubrication	Not required (Use turbine oil #1(ISO VG32) if lubrication is provided.)
Mounting position	Free
Impact/vibration resistance	30G/5G(8.3~2000Hz)
Enclosure	Dust proof

Solenoid Specifications

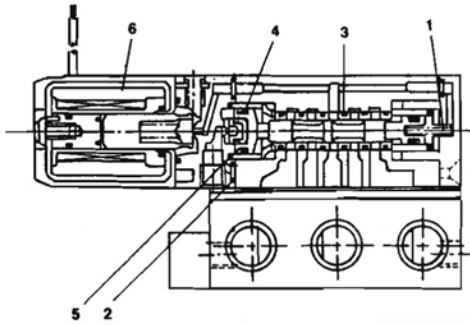
Electrical entry	Grommet (G)(H), Plug connector (L) (M), DIN connector (D)		
Voltage*	AC	110V 50/60Hz, 220V 50/60Hz, 24V 50/60Hz	
	DC	12V, 24V	
Allowable voltage	-15~+10% of rated voltage		
Coil insulation	Class E or equivalent (250 F°)		
Temperature rise	81° F or less		
Power consumption	DC	1.8W(2.1W w/LED)	
Apparent power	AC	Inrush	4.2VA/60Hz 4.5VA/50Hz
		Holding	3VA/60Hz 3.5VA/50Hz
Surge voltage suppressor	DC:Diode; AC:ZNR		
Indicator light	DC:LED (Red); AC:Neon Lamp		

Option

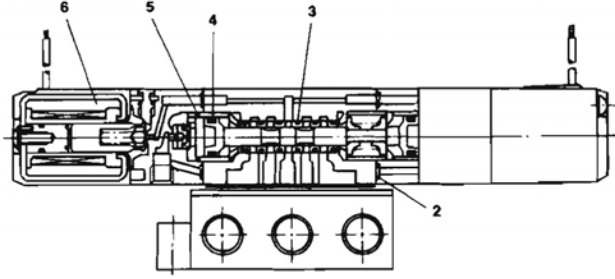
Description	Part number	Notes
Foot Bracket with screws	VVZ2000-37A-1	for NVZ2120
Silencer	M5(10-32nom.)	18dB or more
	1/8NPTF	18dB or more

*Consult factory for others.

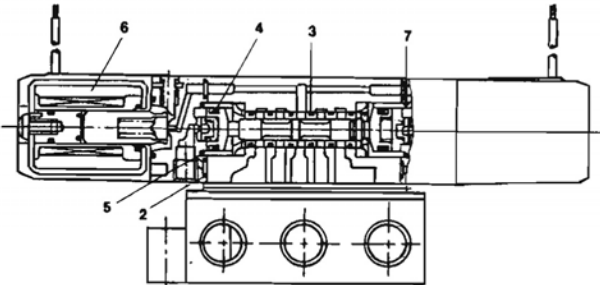
NVZ2150



NVZ2350



NVZ2250



NVZ2000

	DESCRIPTION	MATERIAL
	Spring	
	Pilot "O" Ring	
	Spool "O" Ring	
	Piston Packing	NBR
	"O" Ring "A" End	NBR
6	Solenoid	
7	"O" Ring "B" End	NBR

How To Order

Solenoid ass'y **SZ2-M Z - 52**

Sol. ass'y (3-pos.) **SZ23-M Z - 52**

• Voltages •

07	24VAC 50/60Hz
09	110VAC 50/60Hz
10	220VAC 50/60Hz
52	24VDC
51	12VDC

• Electrical entry

G	Grommet	l wire length 12" (300mm)
*H	Grommet	Lead wire length 24" (600mm)
L	L type plug connector	With lead wire
LO		Without connector
M	M type plug connector	With lead wire
MO		Without connector
D	DIN type connector	With DIN top
DO†		Without DIN top

*Special Order Only.
†DOZ is not available

• Indicator light and surge voltage suppressor

	Without light or surge suppressor
Z*	With Indicator light and surge voltage suppressor
S†	With surge voltage suppressor only

Not available with grommet type.
†Grommet type only.

Connector ass'y **DXT170-80-3.A-6**

• Lead wire c

#	Color	Lc	wire length
*1	Blue/Blue		
*2	Red/Red		12" (300mm) Std.
3	Gray/Gray (AC)	6	24" (600mm)
4	Red/Black (DC)	10	40" (1000mm)
		15	60" (1500mm)
		20	80" (2000mm)
		25	100" (2500mm)
		30	120" (3000mm)

*Special Order Only.

DIN Cap ass'y **DXT170-125-1**

• Indicator light

1	Without light
2	With indicator light for AC voltage
3	With indicator light for DC voltage

• Indicator light voltage •

	Without
01	AC100/110V
02	AC200/220V
06	DC12V
05	DC24V

How To Order: Series NVZ2000

Configuration

- 1: 2 position single solenoid
- 2: 2 position double solenoid
- 3: 3 position closed center
- 4: 3 position exhaust center

Voltage

3	115V AC60Hz (110V AC50/60Hz)
4	230V AC60Hz (220V AC50/60Hz)
5	24V DC
6	12V DC
*9	Others

*Consult factory for availability.

Indicator light and surge voltage suppressor

	Without light or surge suppressor
Z*	With indicator light and surge voltage suppressor
St	With surge voltage suppressor

*Z option not available with grommet type.
†Grommet type only.

Port Size

M5	10-32Nom. (M5x0.8)
----	--------------------

Optional accessory

*F: Foot bracket

Bracket (VZ2000-37-1)
Use with NVZ2120 type only.

Body Ported NVZ2 **1** **2** **0** - **5** **M** - **M5** -

Base Mounted NVZ2 **1** **5** **0** - **5** **M** -

Mount in-line; or type 20 manifold.

Electrical Entry

G: Grommet Lead wire length : 12 inch (300mm)

*H: Grommet Lead wire length : 24 inch (600mm)

*L: L type plug-in w/std. connector Wire Length: 12" (300mm)

*LO: L type plug-in w/o connector

D: DIN connector

M: M type plug-in w/std. connector Wire Length: 12" (300mm)

MO: M type plug-in w/o connector

Port Size

01T : With 1/8NPTF subplate

(SPZ0171-01)

-: Without subplate

Manual Override

_ : Non-locking push type manual pilot override (standard)

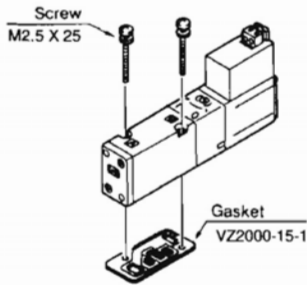
*B: Slotted locking type manual pilot override

Selection Suggestion

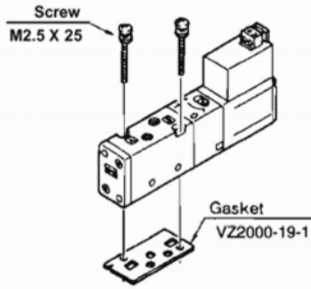
The G option (grommet lead wires) and the MZ combination (horiz. plug-in connector with indicator light and surge suppressor) are popular configurations and the most readily available.

* Special order

Proper Combinations of Solenoid Valve, Gasket, Manifold/Subplate Base



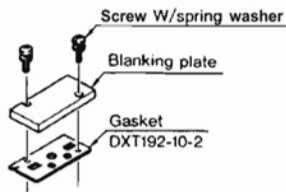
Applicable base
 •Subplate SPZ0171-01
 •NVV5Z2-50-①1-②



Applicable base
 •NVV5Z2-20-①1-②

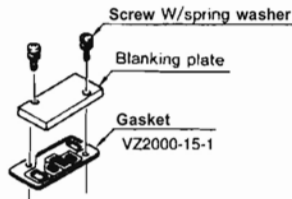
Blank Plate Ass'y

VVZ2000-31A-1



Applicable base
 •NVV5Z2-20-①1-②

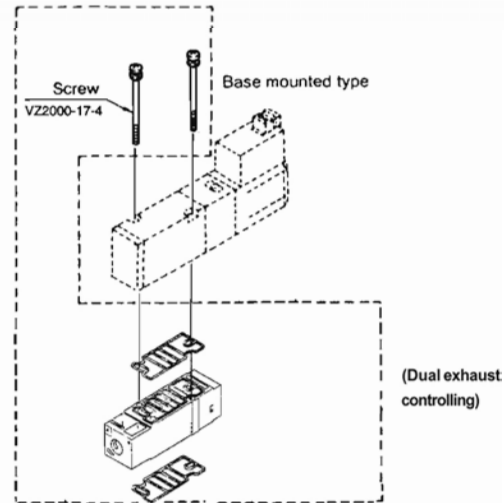
VVZ2000-31A-3



Applicable base
 •NVV5Z2-50-①1-②

EXH Flow Control Spacer Ass'y

VVZ2000-20A

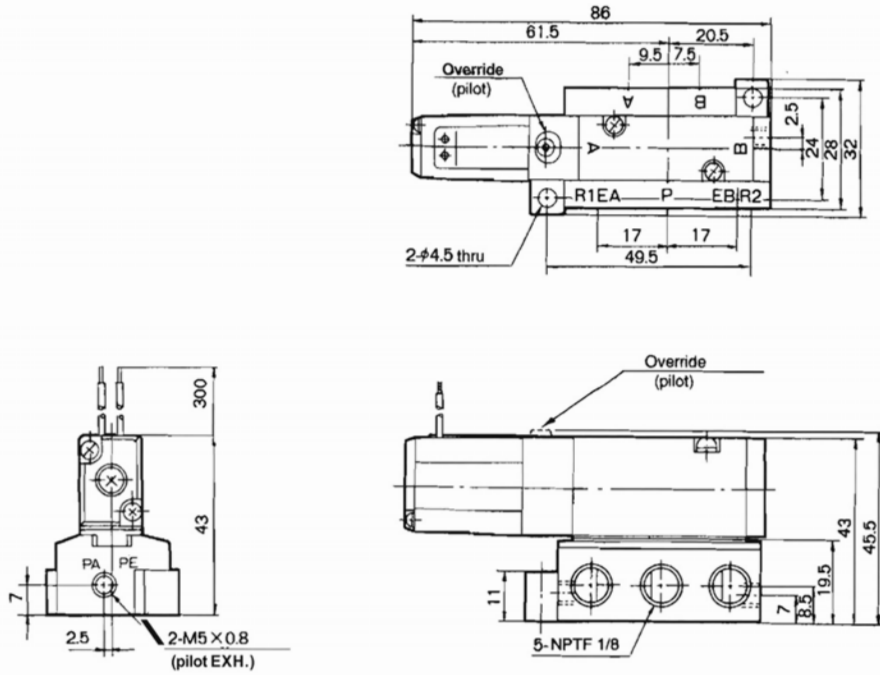


Applicable base
 •NVV5Z2-50-①1-②

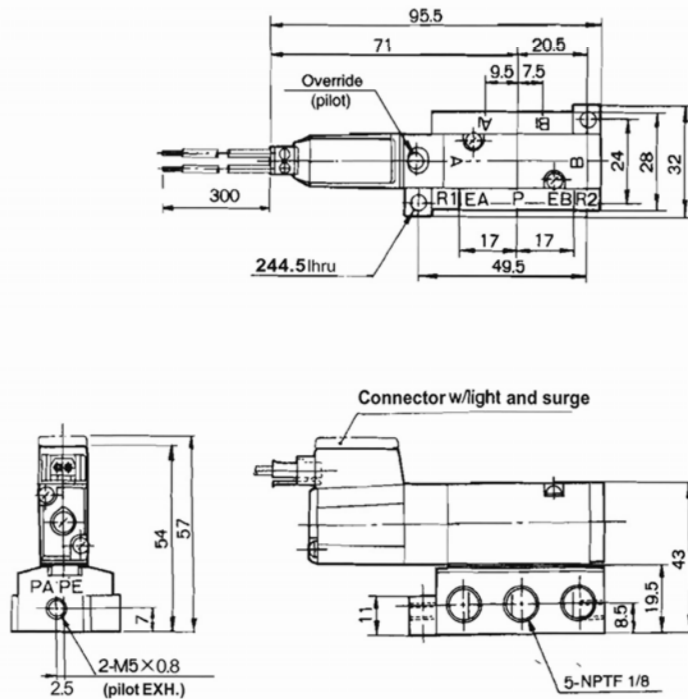
(Dual exhaust controlling)

All dimensions in millimeters (mm)

NVZ2150-0G-01T



NVZ2150-0M-01T

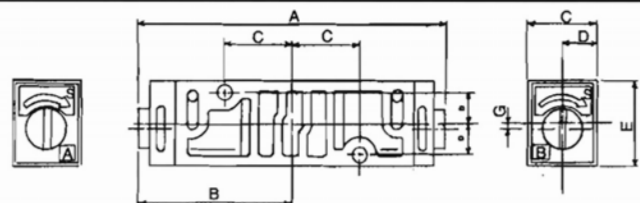


DIMENSIONS

Interface speed control
VVZ2000-20A

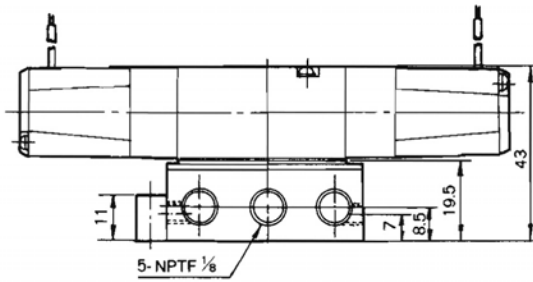
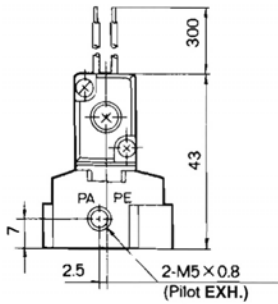
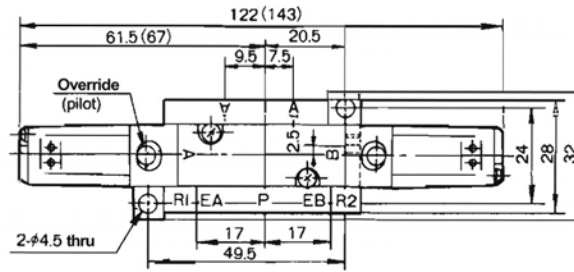
A	B	C	D	E	G
54	27	12	5.5	15	1

Dimensions in millimeters

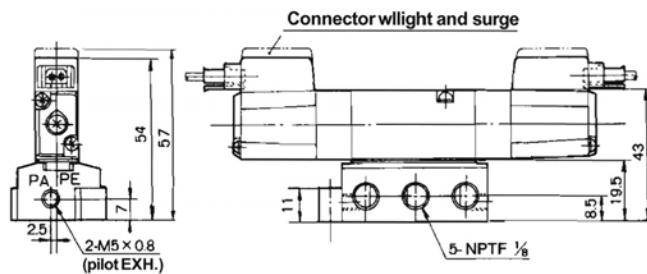
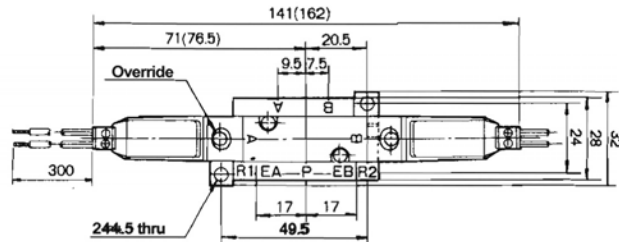


All dimensions in millimeters (mm)

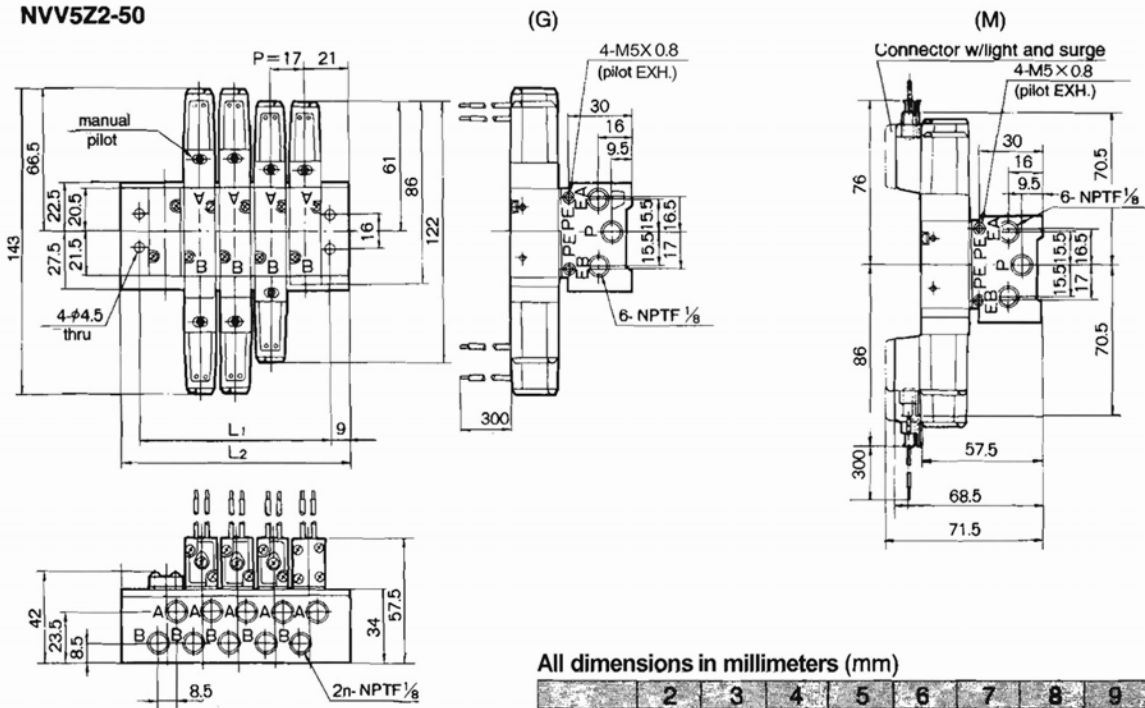
NVZ2250-●G-01T
NVZ2350-●G-01T
NVZ2450-●G-01T



NVZ2250-●M●01T
NVZ2350-●M●01T
NVZ2450-●M●01T



NVV5Z2-50

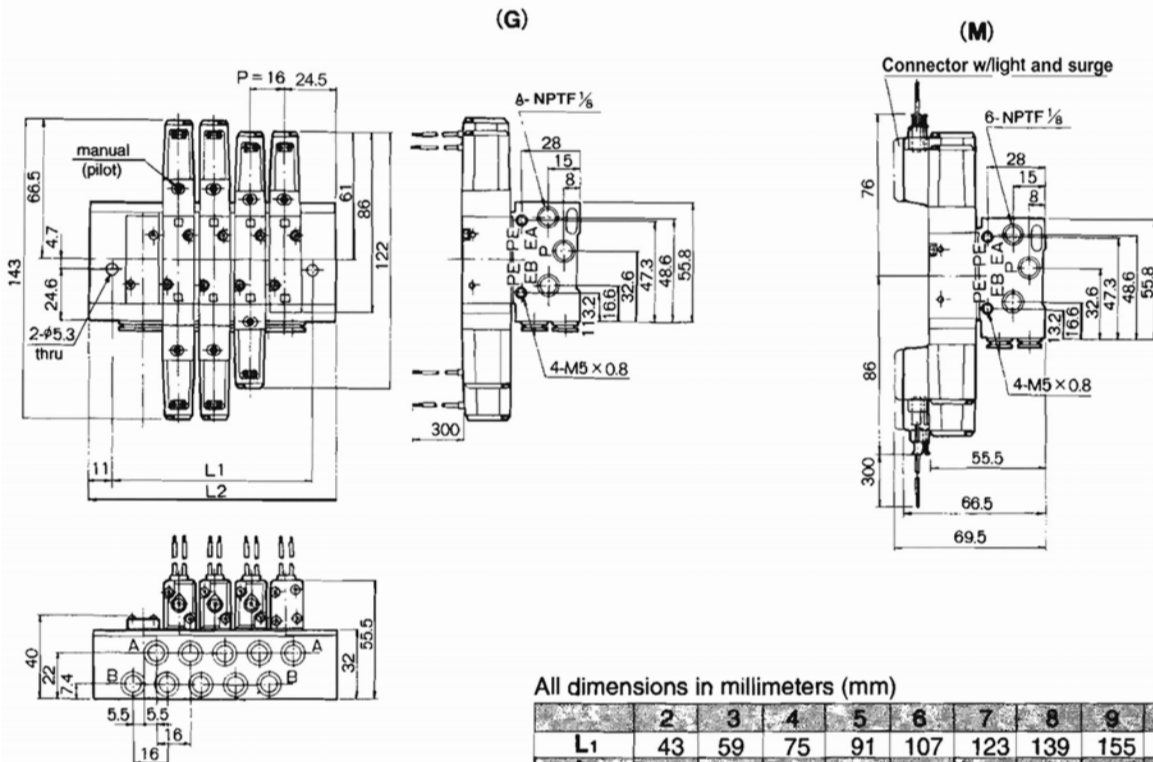


All dimensions in millimeters (mm)

n: No. of stations

	2	3	4	5	6	7	8	9	10	
L ₁	41	58	75	92	109	126	143	160	177	L ₁ =17n+7
L ₂	59	76	93	110	127	144	161	178	195	L ₂ =17n+25

NVV5Z2-50 (Built-in fitting type)

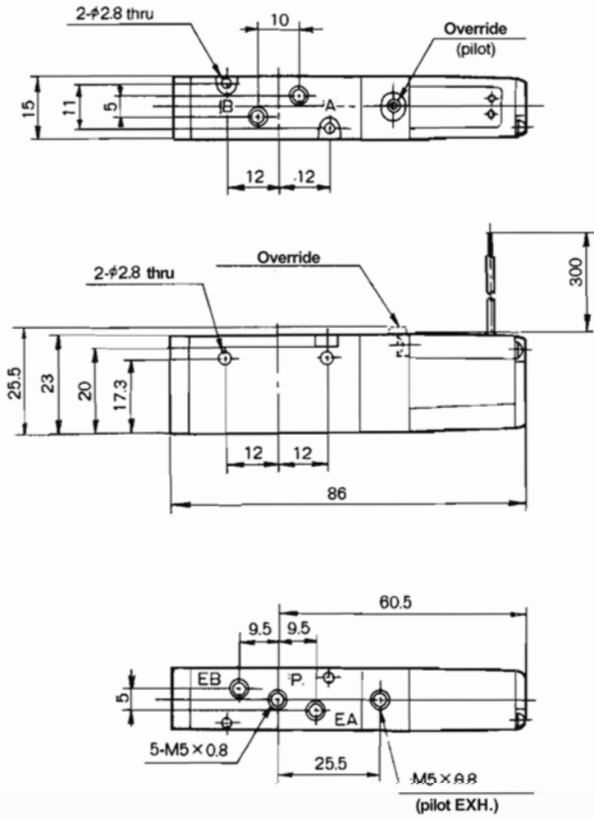


All dimensions in millimeters (mm)

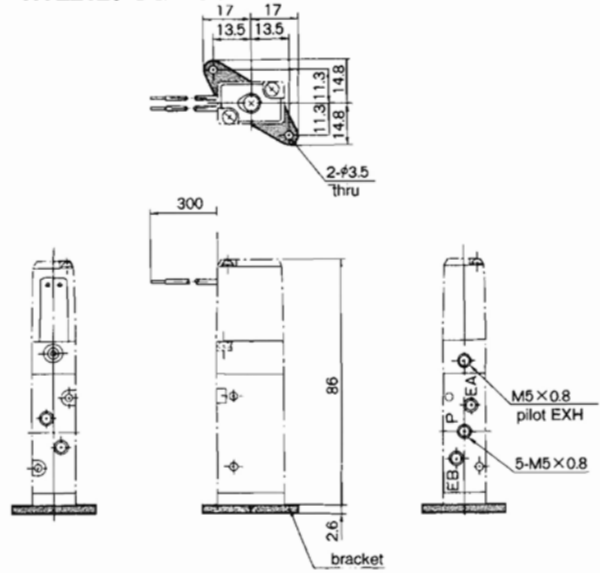
n: No. of stations

	2	3	4	5	6	7	8	9	10	
L ₁	43	59	75	91	107	123	139	155	171	L ₁ =16n+11
L ₂	65	81	97	113	129	145	161	177	193	L ₂ =18n+33

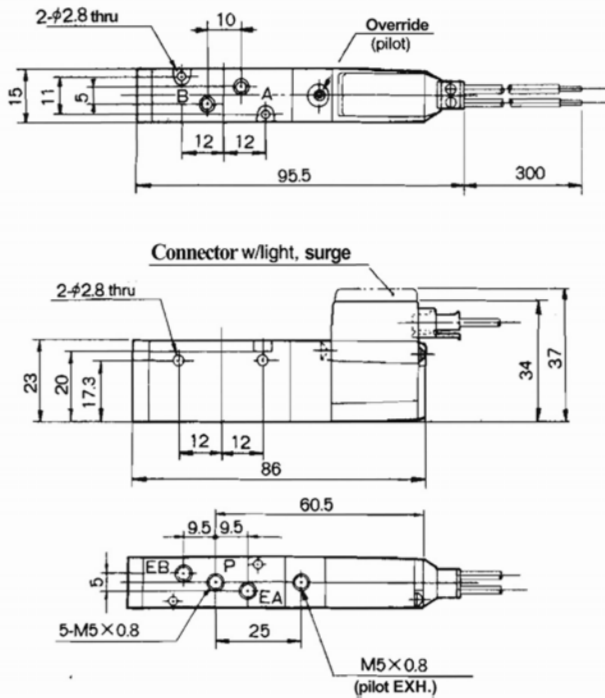
NVZ2120-⊙G-M5



NVZ2120-⊙G-M5-F

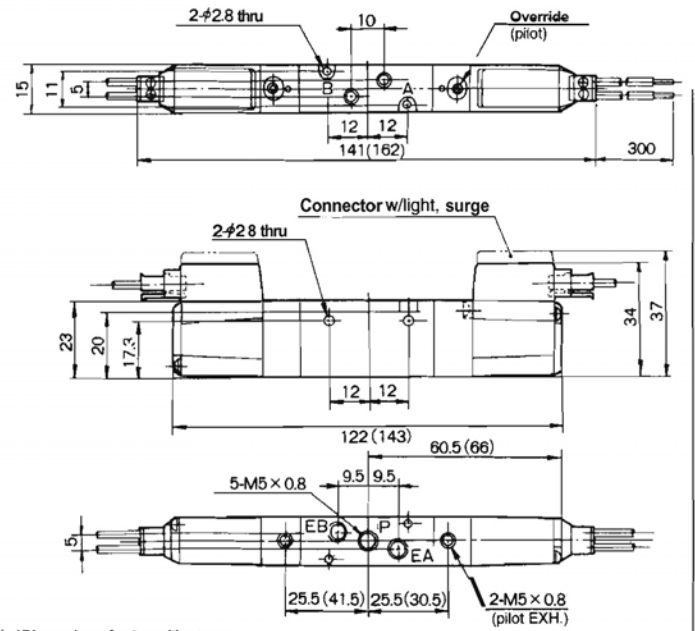
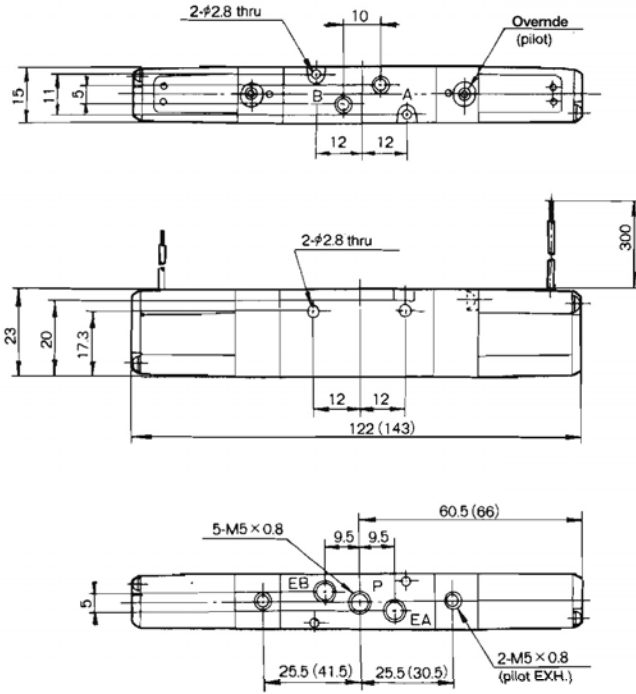


NVZ2120-⊙M-M5



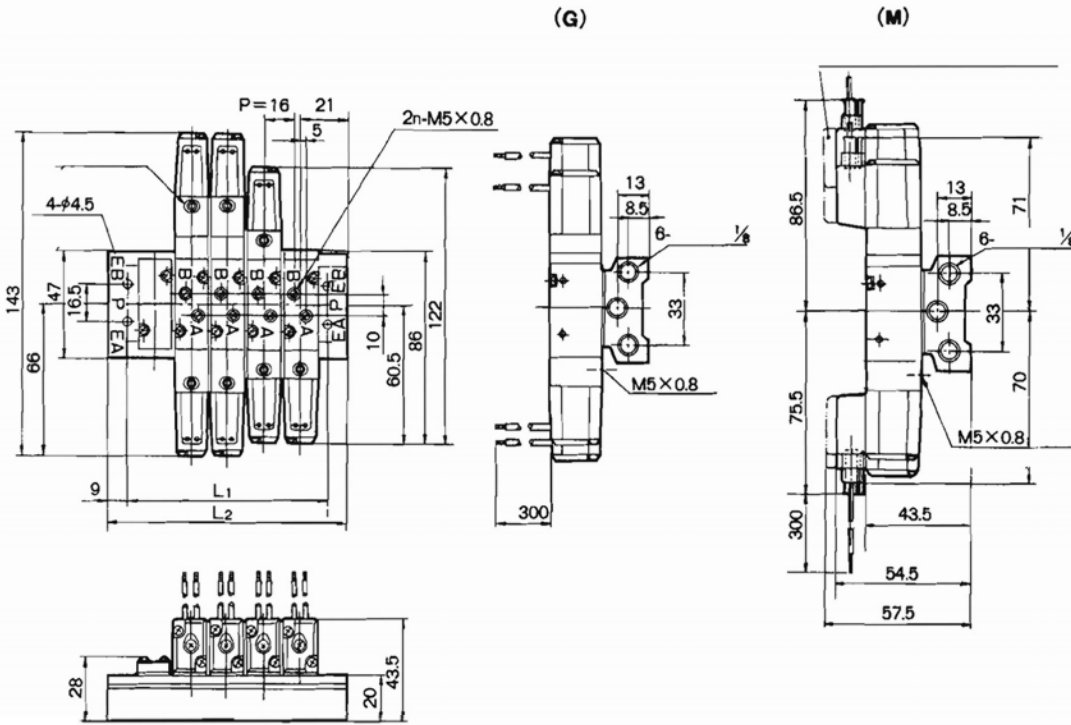
NVZ2220-**G**-01T
NVZ2320-**G**-01T
NVZ2420-**G**-01T

NVZ2220-**M**-01T
NVZ2320-**M**-01T
NVZ2420-**M**-01T



() Dimensions for 3 position types.

NVV5Z2-20



All dimensions in millimeters (mm)

n: No. of stations

	2	3	4	5	6	7	8	9	10	
L₁	40	56	72	88	104	120	136	152	168	L₁=16n+8
L₂	58	74	90	106	122	138	154	170	186	L₂=16n+26