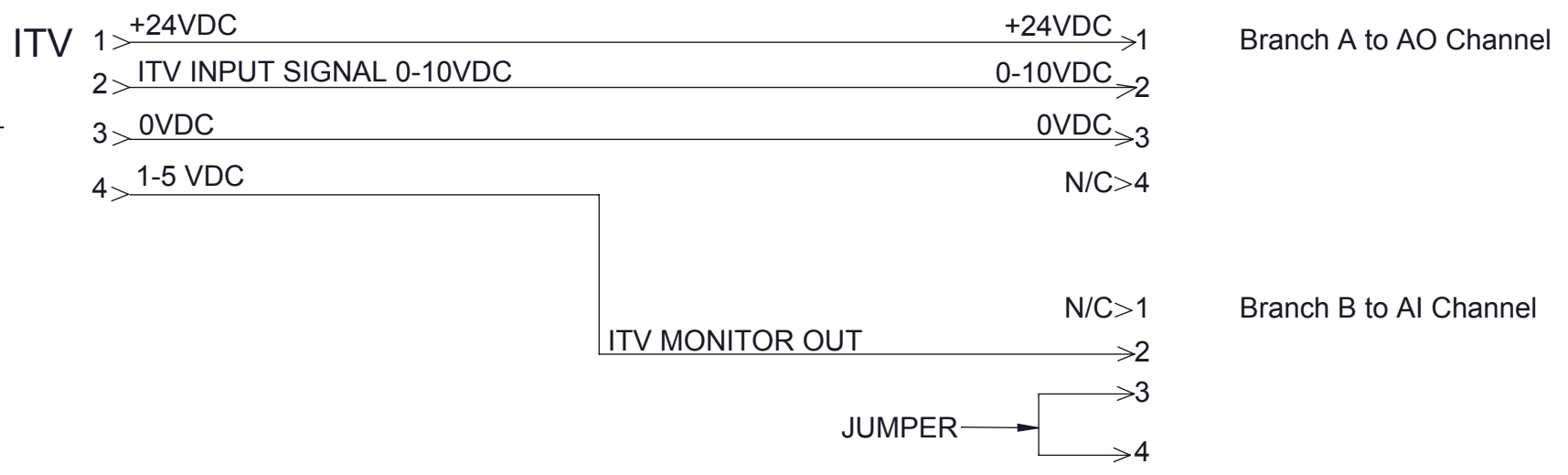
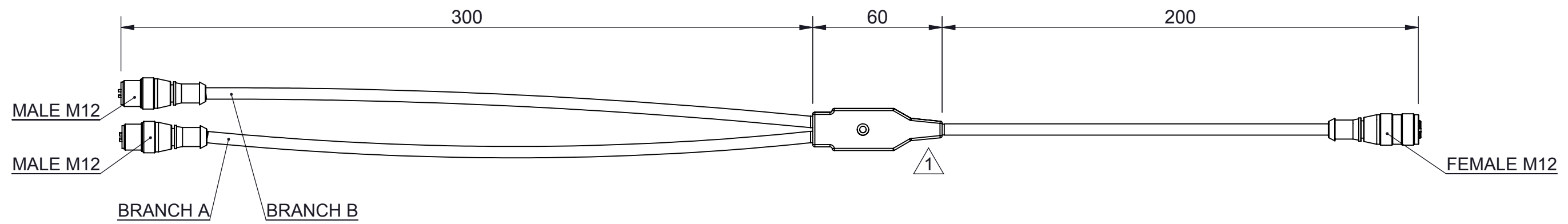


IN9001

| REV. | ECN | DESCRIPTION | DATE | BY | APP |
|------|-----|-----------------------------|-----------|----|-----|
| 1 | A | UPDATED SPLITTER DIMENSIONS | 3/16/2011 | JH | MB |



- NOTES:
- ALL DIMENSIONS ARE IN MILLIMETERS UNLESS OTHERWISE SPECIFIED.
 - CABLE IS USED TO FACILITATE CONNECTING AN AO AND AI CONNECTOR OF A STANDARD ITV.
 - ITV MODELS WILL BE LIMITED TO THOSE THAT ACCEPT A 0-5VDC OR 0-10VDC INPUT SIGNAL AND WITH A 1-5VDC MONITOR OUTPUT SIGNAL WIRE PER WIRING DIAGRAM.
 -

| 1 | UIUSP-C01-DUP00011 | ITV TO EX600 AMB CUSTOM CABLE | 1 |
|----------------------------|--------------------|-------------------------------|---|
| ITEM NO | PART NUMBER | DESCRIPTION | QTY |
| UNITS mm | | SCALE 1:2 | |
| BY J. HENNESSY | | DATE 3/15/2011 | SMC Corporation of America <small>THIS DRAWING CONTAINS CONFIDENTIAL INFORMATION PROPRIETARY TO SMC CORPORATION OF AMERICA. IT MUST NOT BE REPRODUCED OR DISCLOSED TO OTHERS OR USED IN ANY OTHER WAY, IN PART OR IN WHOLE, EXCEPT AS AUTHORIZED IN WRITING BY SMC CORPORATION OF AMERICA.</small> |
| CHECKED | | DATE | |
| APPROVED M. BOMBEI | | DATE 3/16/2011 | DESCRIPTION ITV TO EX600-AMB CUSTOM CABLE |
| CAD FILE UIUSP-DUP00011 | | SIZE B | DRAWING/PART No. UIUSP-DUP00011 SHEET 1 OF 1 REVISION |
| REFERENCE NUMBER: US91844 | | | |